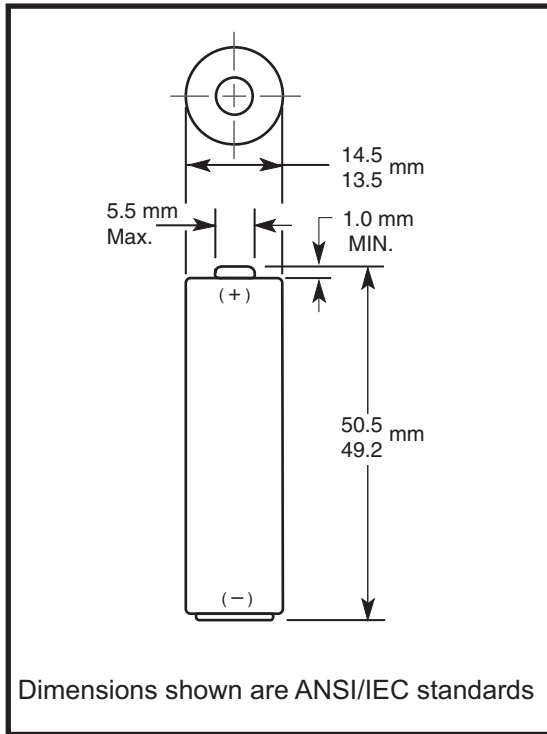


# DURACELL<sup>®</sup> COPPERTOP<sup>™</sup> MN1500

## Alkaline-Manganese Dioxide Battery

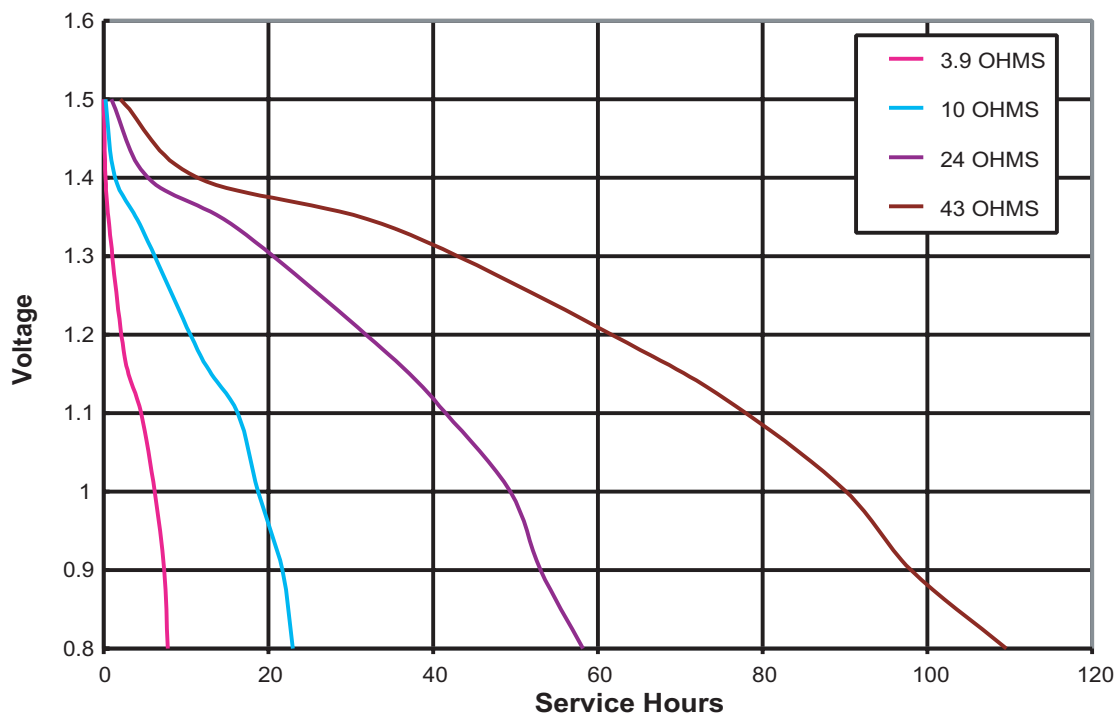
### Size: AA (LR6)

Zn/MnO<sub>2</sub>



<b>Nominal Voltage:</b>	1.5 V
<b>Nominal Internal Impedance:</b>	120 m-ohm @ 1kHz
<b>Average Weight:</b>	24 gm (0.84 oz.)
<b>Volume:</b>	8.4 cm <sup>3</sup> (0.51 in. <sup>3</sup> )
<b>Terminals:</b>	Flat
<b>Operating Temperature Range:</b>	-20°C to 54°C (-4°F to 130°F)
<b>ANSI:</b>	15A
<b>IEC:</b>	LR6

### TYPICAL DISCHARGE CHARACTERISTICS AT 21°C (70°F)



\* Delivered capacity is dependent on the applied load, operating temperature and cut-off voltage. Please refer to the charts and discharge data shown for examples of the energy / service life that the battery will provide for various load conditions.