

MAXIM

MAX1997 Evaluation Kit

Evaluates: MAX1997

General Description

The MAX1997 evaluation kit (EV kit) is a fully assembled and tested surface-mount circuit board that provides voltages and features required for active-matrix thin-film transistor (TFT) liquid-crystal displays. The EV kit contains a step-up switching regulator, a positive three-stage charge pump and linear regulator for the TFT gate-on supply, a negative three-stage charge pump and linear regulator for the TFT gate-off supply, a gamma reference, a low-voltage logic supply, and a high-current backplane buffer. The gate-on supply, gate-off supply, and gamma reference supply can be sequenced in any power-up order.

The EV kit operates from a DC supply voltage of +2.7V to +5.5V. The step-up switching regulator is configured for a +9V output providing up to 250mA. The positive charge pump and regulator are configured for a +20V output using two charge-pump stages providing up to 10mA. The negative charge pump and regulator are configured for a -7V output using a single charge-pump stage providing up to 10mA. The gamma reference is configured for +8.6V providing up to 10mA. The low-voltage logic linear-regulator is configured for +2.5V, providing up to 200mA. The backplane buffer is configured for +4.3V and can source or sink current peaks more than 300mA.

The MAX1997 EV kit demonstrates low-quiescent current and high efficiency (85%) for maximum battery life. The EV kit features overload protection for the input and all outputs. Operation at 1.5MHz allows the use of tiny surface-mount components. The MAX1997 QFN package (0.8mm max) with low-profile external components allows this circuit to be less than 1.25mm high.

Features

- ◆ +2.7V to +5.5V Input Range
- ◆ Output Voltages
 - +9V Output at 250mA (Step-Up Switching Regulator)
 - +20V Output at 10mA (Positive Charge Pump and Linear Regulator)
 - 7V Output at 10mA (Negative Charge Pump and Linear Regulator)
 - +8.6V Output at 30mA (Gamma Reference Regulator)
 - +2.5V Output at 200mA from 2.7V to 3.6V Input (Low-Voltage Logic Supply)
 - +4.3V Output (± 300 mA Peak Backplane Buffer Output)
- ◆ Up to Three Positive and Three Negative Charge-Pump Stages
- ◆ More than -20V Linear-Regulated Output (Resistor Adjustable)
- ◆ More than +30V Linear-Regulated Output (with Additional Circuitry)
- ◆ Greater than 85% Efficiency (Step-Up Switching Regulator)
- ◆ 375kHz/750kHz/1.5MHz Selectable Step-Up Switching Frequency (Configured for 1.5MHz)
- ◆ Programmable Power-Up Sequencing and Soft-Start for All Outputs
- ◆ Multilevel Protection
 - Output Undervoltage Protection
 - Input Overcurrent Protection
 - Input Switch Disconnects Step-Up Output from Input Source
 - Selectable Fault-Delay Period
- ◆ Low-Profile Surface-Mount Components
- ◆ Fully Assembled and Tested

Ordering Information

PART	TEMP RANGE	IC PACKAGE
MAX1997EVKIT	0°C to +70°C	32 QFN 5mm x 5mm

MAX1997 Evaluation Kit

Evaluates: MAX1997

Component List

DESIGNATION	QTY	DESCRIPTION
C1, C2, C3	3	4.7 μ F \pm 20%, 16V X5R ceramic capacitors (1210) TDK C3225X5R1C475M-1.15
C4, C15	0	Not installed, capacitor (1206)
C5, C14	2	10 μ F \pm 20%, 6.3V X5R ceramic capacitors (1206) TDK C3216X5R0J106M-0.85
C6, C35, C39	3	1000pF \pm 10%, 50V X7R ceramic capacitors (0603) TDK C1608X7R1H102K
C7, C18	2	0.01 μ F \pm 10%, 50V X7R ceramic capacitors (0603) TDK C1608X7R1H103K
C8, C11	2	0.47 μ F \pm 10%, 16V X7R ceramic capacitors (0805) TDK C2012X7R1C474K-0.60
C9	1	100 μ F \pm 20%, 16V aluminum electrolytic capacitor (6.3mm \times 5mm) Sanyo 16MV100UAX
C10, C16, C34, C36, C37, C44, C45, C46	0	Not installed, capacitor (0603)
C12, C20–C27, C30, C31, C41, C42	13	0.1 μ F \pm 10%, 50V X7R ceramic capacitors (0603) TDK C1608X7R1H104K
C13	1	0.22 μ F \pm 10%, 10V X5R ceramic capacitor (0603) TDK C1608X5R1A224K
C17	1	2.2 μ F \pm 10%, 16V X5R ceramic capacitor (0805) TDK C2012X5R1C225KT-0.95
C19, C43	2	1 μ F \pm 10%, 10V X7R ceramic capacitors (0805) TDK C2012X7R1A105K-1.15
C28, C29	2	0.1 μ F \pm 10%, 50V X7R ceramic capacitors (1206) TDK C3216X7R1H104K-0.85
C32	1	0.47 μ F \pm 10%, 25V X5R ceramic capacitor (1206) TDK C3216X5R1E474KT-0.90
C33	1	1 μ F \pm 10%, 25V X7R ceramic capacitor (1206) TDK C3216X7R1E105K-1.15
C38	1	0.1 μ F \pm 10%, 16V X7R ceramic capacitor (0805) TDK C2012X7R1C104K-0.85

DESIGNATION	QTY	DESCRIPTION
C40	1	100pF \pm 10%, 50V C0G ceramic capacitor (0603) TDK C1608C0G1H101K
D1	1	1.0A, 30V Schottky diode (S-flat) Toshiba CRS02
D2, D9	2	200mA, 75V diodes (SOT23) Fairchild MMBD4148 (top mark 5H)
D3–D8	6	200mA, 25V dual Schottky diodes (SOT23) Fairchild BAT54S
JU1, JU2	2	2-pin headers
JU3, JU4, JU8, JU11, JU14	5	3-pin headers
JU5, JU6, JU7, JU9, JU10, JU12, JU13	7	4-pin headers
L1	1	3 μ H, 1.9A inductor Sumida CLS5D11HP-3R0NC
N1	1	1.9A, 30V N-channel MOSFET (3-pin SuperSOT) Fairchild FDN357N
P1	1	2.4A, -20V P-channel MOSFET (3-pin SuperSOT) Fairchild FDN304P
P2	0	Not installed, MOSFET (μ 8)
Q1	1	3A, 25V PNP bipolar transistor (3-pin SuperSOT) Fairchild FSB749
Q2, Q4	2	200mA, 40V PNP bipolar transistors (SOT23) Fairchild MMBT3906
Q3	1	200mA, 40V NPN bipolar transistor (SOT23) Fairchild MMBT3904
R1, R9, R10, R13, R14, R15	6	1M Ω \pm 5% resistors (0805)
R2	1	7.68k Ω \pm 1% resistor (0805)
R3, R32–R37	0	Not installed, resistor (0805)
R4	1	51.1k Ω \pm 1% resistor (0805)
R5	1	1.21k Ω \pm 1% resistor (0805)
R6, R27, R38, R39	4	150k Ω \pm 1% resistors (0805)
R7	1	10 Ω \pm 1% resistor (0805)
R8	1	100k Ω \pm 1% resistor (0805)
R11	1	523 Ω \pm 1% resistor (0805)

MAX1997 Evaluation Kit

Evaluates: MAX1997

Component List (continued)

DESIGNATION	QTY	DESCRIPTION
R12, R16	2	12.4k Ω \pm 1% resistors (0805)
R17, R19, R23	3	39.2k Ω \pm 1% resistors (0805)
R18	1	2.2k Ω \pm 5% resistor (0805)
R20	1	118k Ω \pm 1% resistor (0805)
R21, R22, R24, R30	4	20k Ω \pm 1% resistors (0805)
R25, R26	2	6.8k Ω \pm 5% resistors (0805)
R28	1	301k Ω \pm 1% resistor (0805)
R29	1	24.3k Ω \pm 1% resistor (0805)
R31	1	43.2k Ω \pm 1% resistor (0805)
U1	1	MAX1997ETJ (32-pin QFN)
None	14	Shunts (JU1–JU14)
None	1	MAX1997 PC board

- 6) Connect the positive terminal of the input power supply to the PIN pad. Connect the negative terminal of the input power supply to the PGND pad.
- 7) Turn on the power supply and verify that the step-up regulator output (VBST) is +9V.
- 8) Verify that the positive linear-regulator output (GON) is +20V.
- 9) Verify that the negative linear-regulator output (GOFF) is -7V.
- 10) Verify that the logic supply linear-regulator output (VLOG) is +2.5V.
- 11) Verify that the gamma reference linear-regulator output (VGAM) is +8.6V.
- 12) Verify that the high-current backplane buffer output (OUTB) is +4.3V.

For instructions on selecting the feedback resistors for other output voltages, see the *Output Voltage Selection* section.

Quick Start

The MAX1997 EV kit is fully assembled and tested. Follow these steps to verify board operation. **Do not turn on the power supply until all connections are completed.**

Recommended Equipment

- 2.7V to 5.5V, 2A DC power supply
- One voltmeter

Procedure

- 1) Verify that there are no shunts across JU1, JU2, JU3, JU8, JU11, and JU12.
- 2) Verify that a shunt is across pins 1 and 2 of JU4, JU6, and JU9.
- 3) Verify that a shunt is across pins 1 and 3 of JU7 and JU10.
- 4) Verify that a shunt is across pins 1 and 4 of JU5 and JU13.
- 5) Verify that a shunt is across pins 2 and 3 of JU14.

Detailed Description

The MAX1997 EV kit contains a step-up switching regulator, a positive three-stage charge pump with positive high-voltage linear-regulator controller, a negative three-stage charge pump with negative high-voltage linear-regulator controller, a linear-regulator controller for gamma reference, a linear-regulator controller for low-voltage logic supply, and a high-current backplane driver. The EV kit operates from a DC power supply between +2.7V and +5.5V, which can provide at least 2A. The circuit components are chosen for 1.5MHz. With different components, the switching frequency can be jumper selected between 375kHz, 750kHz, and 1.5MHz. The input and outputs of the EV kit are protected against output overloads. The EV kit features a shutdown mode to extend battery life.

As configured, the step-up switching-regulator (VBST) generates a +9V output and can provide at least 250mA from a 2.7V input. The step-up switching-regulator output voltage can be adjusted up to +13V with

Component Suppliers

SUPPLIER	PHONE	FAX	WEBSITE
Fairchild	888-522-5372	—	www.fairchildsemi.com
Sanyo	619-661-6322	619-661-1055	www.sanyovideo.com
Sumida	847-545-6700	847-545-6720	www.sumida.com
TDK	847-803-6100	847-390-4405	www.component.tdk.com
Toshiba	949-455-2000	949-859-3963	www.toshiba.com/taec

Note: Please indicate that you are using the MAX1997 when contacting these component suppliers.

MAX1997 Evaluation Kit

feedback resistors (see the *Output Voltage Selection* section).

As configured, the TFT gate-on supply (GON) uses two of the three positive charge-pump stages to generate approximately +25V and can provide greater than 10mA. The output is postregulated to +20V using a linear-regulator controller and an external PNP bipolar pass transistor. The positive linear-regulator's output can be adjusted between +1.25V and +25V or, with additional circuitry, to even higher voltages (see the *Output Voltage Selection* section). The first stage of the positive charge pump can be connected to the DC input source (INPUT) or the step-up switching regulator output (VBST).

As configured, the TFT gate-off supply (GOFF) uses one of the three negative charge-pump stages to generate approximately -7.6V and can provide greater than 10mA. The output is postregulated to -7V using a linear-regulator controller and an external NPN bipolar pass transistor. The negative linear-regulator's output can be adjusted between 0 and -22V (see the *Output Voltage Selection* section). The first stage of the negative charge pump can be connected to the DC input source (INPUT) or the power ground (PGND).

The gamma reference (VGAM) is set to +8.6V using a linear-regulator controller and an external PNP bipolar pass transistor. This gamma reference can provide greater than 30mA of current. The gamma linear-regulator's output can be adjusted between +1.25V and VSRC (see the *Output Voltage Selection* section). The step-up switching regulator provides power for the gamma reference through MOSFET N1, which is controlled by DRVA.

The logic voltage supply (VLOG) is set to +2.5V using a linear-regulator controller and an external PNP bipolar pass transistor. This logic voltage supply can provide greater than 200mA of current. The logic voltage supply linear-regulator's output can be adjusted between +1.25V and the input voltage (see the *Output Voltage Selection* section). Power for the low-voltage logic linear regulator can be provided by the DC input sources (PIN) or (INPUT).

The $\pm 300\text{mA}$ (peak) backplane buffer (OUTB) is set to +4.3V and uses a small $1\mu\text{F}$ output filter capacitor. The buffer is powered from the step-up switching regulator output (VSRC) and its output can be adjusted between 0V and VSRC (see the *Output Voltage Selection* section).

The EV kit also features power-up sequencing. After $\overline{\text{SHDN}}$ goes high and the input switch turns on, the logic voltage supply (VLOG) soft starts. When ONDC goes high, the step-up switching regulator soft starts and the gate-on supply, gate-off supply, and gamma buffer soft start in any sequence by setting the appropriate jumpers (see the *Power-Up Sequencing* section).

The EV kit includes input-current-overload protection that shuts the circuit down if the input current exceeds a threshold for longer than the fault-delay period. The fault-delay period is jumper selectable between 22ms, 44ms, and 87ms. The input-current-overload threshold is set by resistor-dividers R4, R6, and R31, R38, and the $R_{\text{DS(ON)}}$ of MOSFET P1 or P2 (refer to the *Setting the Input Overcurrent Threshold* section in the MAX1997 data sheet for further details). The EV kit also includes output undervoltage protection that shuts the circuit down if any of the output voltages drop below approximately 80% of its nominal value for longer than the fault-delay period.

Jumper Selection

Shutdown Mode ($\overline{\text{SHDN}}$)

The MAX1997 features a shutdown mode that reduces the MAX1997 quiescent current to less than $1\mu\text{A}$. The 2-pin jumper JU1 selects the shutdown mode. Table 1 lists the selectable jumper options.

Caution: Do not connect an external controller to the $\overline{\text{SHDN}}$ pad while a shunt is on JU1 since the external controller can be damaged.

Step-Up Regulator Logic Control Input (ONDC)

The MAX1997 features a logic control input (ONDC) that can enable/disable the step-up regulator, the OUTB regulator, and the sequencing timing block. The 2-pin jumper JU2 selects the control input. Table 2 lists the selectable jumper options.

Table 1. Jumper JU1 Functions

SHUNT LOCATION	$\overline{\text{SHDN}}$ PIN	MAX1997 EV KIT OUTPUT
Installed	Connected to GND	Disabled
None (default)	Connected to IN through R9	Enabled
None	External controller connected to $\overline{\text{SHDN}}$ pad drives $\overline{\text{SHDN}}$ pin	Logic high = enabled Logic low = disabled

MAX1997 Evaluation Kit

Table 2. Jumper JU2 Functions

SHUNT LOCATION	ONDC PIN	MAX1997 EV KIT OUTPUT
Installed	Connected to GND	Disable the step-up regulator, OUTB regulator, and the sequencing timing block
None (default)	Connected to IN through R10	Enable the step-up regulator, OUTB regulator, and the sequencing timing block
None	External controller connected to ONDC pad drives ONDC pin	Logic high = enabled, logic low = disabled

Table 3. Jumper JU3 Functions

SHUNT LOCATION	PFLT PIN	MAX1997 EV KIT FAULT-DELAY PERIOD (ms)
1-2	Connected to IN	87
2-3	Connected to GND	22
None (default)	Unconnected	44

Caution: Do not connect an external controller to the ONDC pad while a shunt is on JU2 since the external controller can be damaged.

Fault-Delay Period Selection (PFLT)

The MAX1997 features an option to choose the fault-delay period. JU3 selects the fault-delay period for the MAX1997 EV kit. Table 3 lists the selectable jumper options.

Switching Frequency Selection (FREQ)

The MAX1997 features an option to choose the switching frequency. JU4 selects the switching frequency for the MAX1997 EV kit. Table 4 lists the selectable jumper options. The EV kit is configured for 1.5MHz operation. Optimum performance at other frequencies requires a

Table 4. Jumper JU4 Functions

SHUNT LOCATION	FREQ PIN	MAX1997 EV KIT FREQUENCY
1-2 (default)	Connected to IN	1.5MHz
2-3	Connected to GND	375kHz
None	Unconnected	750kHz

larger inductor value (refer to the *Inductor Selection* section in the MAX1997 data sheet).

Power-Up Sequencing

The MAX1997 EV kit features an option to reconfigure the power-up sequence for the gate-on linear regulator, the gate-off linear regulator, and the gamma linear regulator in any order. After ONDC goes high, the capacitor at the CT pin is charged by an internal 5μA current source. Each regulator is enabled when V_{CT} exceeds the regulator's $\overline{\text{ON}}_*$ input. JU5, JU6, and JU7 connect the $\overline{\text{ON}}_*$ inputs to one of four selected levels, allowing flexible configuration of the sequence order. Note that while the gate-on supply can be enabled any time after ONDC goes high, its startup is delayed until

Table 5. Jumper JU5 Functions

SHUNT LOCATION	$\overline{\text{ONN}}$ PIN	OPERATING MODE
1-2	Connected to VREF	Gate-off linear-regulator controller power-up at V _{CT} > VREF
1-3	Connected to 2/3 VREF	Gate-off linear-regulator controller power-up at V _{CT} > 2/3 VREF
1-4 (default)	Connected to 1/3 VREF	Gate-off linear-regulator controller power-up at V _{CT} > 1/3 VREF
None	Connected to IN through R15	Gate-off linear-regulator controller disabled

Table 6. Jumper JU6 Functions

SHUNT LOCATION	$\overline{\text{ONP}}$ PIN	OPERATING MODE
1-2 (default)	Connected to VREF	Gate-on linear-regulator controller power-up at V _{CT} > VREF
1-3	Connected to 2/3 VREF	Gate-on linear-regulator controller power-up at V _{CT} > 2/3 VREF
1-4	Connected to 1/3 VREF	Gate-on linear-regulator controller power-up at V _{CT} > 1/3 VREF
None	Connected to IN through R14	Gate-on linear-regulator controller disabled

MAX1997 Evaluation Kit

Table 7. Jumper JU7 Functions

SHUNT LOCATION	ON2 PIN	OPERATING MODE
1-2	Connected to VREF	Gamma linear-regulator controller power-up and VSRC switch enabled at $V_{CT} > V_{REF}$
1-3 (Default)	Connected to 2/3 VREF	Gamma linear-regulator controller power-up and VSRC switch enabled at $V_{CT} > 2/3 V_{REF}$
1-4	Connected to 1/3 VREF	Gamma linear-regulator controller power-up and VSRC switch enabled at $V_{CT} > 1/3 V_{REF}$
None	Connected to IN through R13	Gamma linear-regulator controller and VSRC switch disabled

Table 8. Jumper JU8 Functions

SHUNT LOCATION	FIRST STAGE POSITIVE CHARGE PUMP	OPERATING MODE
1-2	Connected to VBST	First stage of a three-stage charge pump connected to VBST
2-3	Connected to INPUT	First stage of a three-stage charge pump connected to INPUT
None (default)	Not used	Not used for one-stage or two-stage charge pumps

Table 9. Jumper JU9 Functions

SHUNT LOCATION	SECOND STAGE POSITIVE CHARGE PUMP	OPERATING MODE
1-2 (default)	Connected to VBST	First stage of a two-stage charge pump connected to VBST
1-3	Connected to previous stage charge-pump output	Second stage of a three-stage charge pump
1-4	Connected to INPUT	First stage of a two-stage charge pump connected to INPUT
None	Not used	Not used for one-stage charge pumps

Table 10. Jumper JU10 Functions

SHUNT LOCATION	THIRD STAGE POSITIVE CHARGE PUMP	OPERATING MODE
1-2	Connected to VBST	One-stage charge pump connected to VBST
1-3 (default)	Connected to previous stage charge-pump output	Last stage of a two-stage or three-stage charge pump
1-4	Connected to INPUT	One-stage charge pump connected to INPUT

the end of the step-up switching regulator's soft-start. Tables 5, 6, and 7 list the jumper options.

Positive Charge Pump

The positive charge pump of the MAX1997 EV kit features an option to cascade up to three stages of charge pumps. Each charge-pump stage can be connected to INPUT, VBST, or the previous stage. JU8, JU9, and JU10 configure the number of stages and select the voltage source for the positive charge pump on the MAX1997 EV kit. Tables 8, 9, and 10 list the jumper options. The default configuration of the positive charge pump of the MAX1997 EV kit is a two-stage charge

pump powered from VBST as indicated in Tables 9 and 10. Refer to the *Charge Pumps* section of the MAX1997 data sheet for information on selecting a charge-pump configuration.

Negative Charge Pump

The negative charge pump of the MAX1997 EV kit features an option to cascade up to three stages of charge pumps. Each charge pump stage can be connected to INPUT, PGND, or the previous stage. JU11, JU12, and JU13 configure the number of stages and select the voltage source for the negative charge pump on the MAX1997 EV kit. Tables 11, 12, and 13 list the jumper

MAX1997 Evaluation Kit

Table 11. Jumper JU11 Functions

SHUNT LOCATION	FIRST STAGE NEGATIVE CHARGE PUMP	OPERATING MODE
1-2	Connected to INPUT	First stage of a three-stage charge pump connected to INPUT
2-3	Connected to PGND	First stage of a three-stage charge pump connected to PGND
None (default)	Not used	Not used for one-stage or two-stage charge pump

Table 12. Jumper JU12 Functions

SHUNT LOCATION	SECOND STAGE NEGATIVE CHARGE PUMP	OPERATING MODE
1-2	Connected to INPUT	First stage of a two-stage charge pump connected to INPUT
1-3	Connected to previous stage charge-pump output	Second stage of a three-stage charge pump
1-4	Connected to PGND	First stage of a two-stage charge pump connected to PGND
None (default)	Not used	Not used for one-stage charge pump

Table 13. Jumper JU13 Functions

SHUNT LOCATION	THIRD STAGE NEGATIVE CHARGE PUMP	OPERATING MODE
1-2	Connected to INPUT	One-stage charge pump connected to INPUT
1-3	Connected to previous stage charge-pump output	Last stage of a two-stage or three-stage charge pump
1-4 (default)	Connected to PGND	One-stage charge pump connected to PGND

options. The default configuration of the negative charge pump of the MAX1997 EV kit is a one-stage charge pump powered from PGND as indicated in Table 13. Refer to the *Charge Pumps* section of the MAX1997 data sheet for information on selecting a charge-pump configuration.

Power Source for the VLOG Linear-Regulator Controller

The MAX1997 EV kit features an option to choose the power source of the logic supply linear regulator. JU14 selects the power source. Table 14 lists the selectable jumper options.

Table 14. Jumper JU14 Functions

SHUNT LOCATION	VLOG POWER SOURCE
1-2	Connected to PIN
2-3 (default)	Connected to INPUT
None*	Unconnected

*Since VLOG is enabled whenever SHDN is high, operating the circuit with no input source for VLOG causes an output under-voltage fault. Therefore, if the VLOG regulator is not used, connect its output or feedback input above the regulation threshold to prevent automatic shutdown after the fault-delay period.

Output Voltage Selection

Step-Up Switching-Regulator Output Voltage

The MAX1997 EV kit's step-up switching-regulator output (VBST) is set to +9V by feedback resistors R2 and R5. To generate output voltages other than +9V (up to +13V), select different external voltage-divider resistors (R2, R5). The output capacitors (C1, C2, and C3) are rated to +10V. To set the output voltage greater than +10V, use higher voltage-rated capacitors. Refer to the *Main Step-Up Regulator, Output Voltage Selection* section in the MAX1997 data sheet for instructions on selecting the resistors.

Gate-On Linear-Regulator Output Voltage

The MAX1997 EV kit's positive linear-regulator output (GON) is set to +20V by feedback resistors R28 and R30. To generate output voltages other than +20V (+1.25V to +25V), select different external voltage-divider resistors (R28, R30) and adjust the charge-pump input source and number of stages accordingly. The MAX1997 EV kit is not configured for charge-pump outputs greater than +28V. If linear regulator inputs greater than +28V or linear-regulator outputs greater than +25V

MAX1997 Evaluation Kit

are needed, an NPN transistor must be added to the circuit to protect the DRVP pin (refer to the MAX1997 data sheet, Figure 4). Refer to the *Linear-Regulator Controllers, Output Voltage Selection* section in the MAX1997 data sheet for instructions on selecting the resistors.

Gate-Off Linear-Regulator Output Voltage

The MAX1997 EV kit's negative linear-regulator output (GOFF) is set to -7V by feedback resistors R27 and R29. To generate output voltages other than -7V (0 to -22V), select different external voltage-divider resistors (R27, R29) and adjust the charge-pump input source and number of stages accordingly. Note that the MAX1997 EV kit is not configured for charge-pump output voltages below -22V. Refer to the *Linear-Regulator Controllers, Output Voltage Selection* section in the MAX1997 data sheet for instructions on selecting the resistors.

Gamma Linear-Regulator Output Voltage

The MAX1997 EV kit's gamma linear-regulator output (VGAM) is set to +8.6V by feedback resistors R20 and R22. To generate output voltages other than +8.6V (+1.25V to VSRC), select different external voltage-divider

resistors (R20, R22) and an appropriate input voltage source. Refer to the *Linear-Regulator Controllers, Output Voltage Selection* section in the MAX1997 data sheet for instructions on selecting the resistors.

Logic Voltage Supply Linear-Regulator Output Voltage

The MAX1997 EV kit's logic voltage supply linear-regulator output (VLOG) is set to +2.5V by feedback resistors R12 and R16. To generate output voltages other than +2.5V (from +1.25 up to the input voltage), select different external voltage-divider resistors (R12, R16). Refer to the *Linear-Regulator Controllers, Output Voltage Selection* section in the MAX1997 data sheet for instructions on selecting the resistors.

High-Current Backplane Buffer Output Voltage

Resistors R21 and R24 set the MAX1997 EV kit's high-current backplane buffered output (OUTB) to a fixed ratio of the gamma linear-regulator's output (VGAM). When VGAM is +8.6V, OUTB is +4.3V. To set OUTB to a different ratio of VGAM, select different external voltage-divider resistors (R21, R24). Refer to the *VCOM Buffer, Buffer Output Voltage* section in the MAX1997 data sheet for instructions on selecting the resistors.

MAX1997 Evaluation Kit

Evaluates: MAX1997

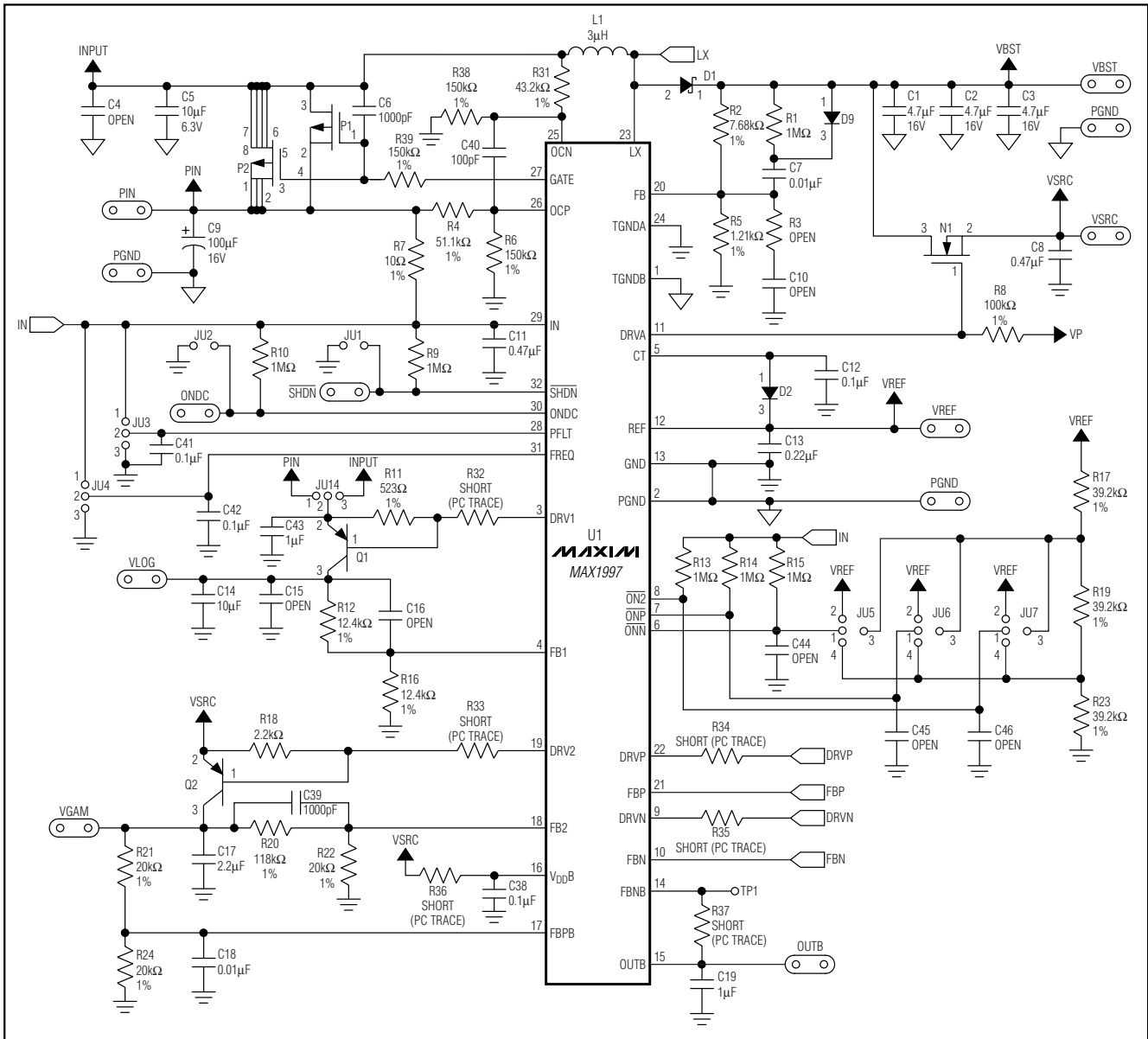


Figure 1. MAX1997 EV Kit Schematic (Sheet 1 of 2)

MAX1997 Evaluation Kit

Evaluates: MAX1997

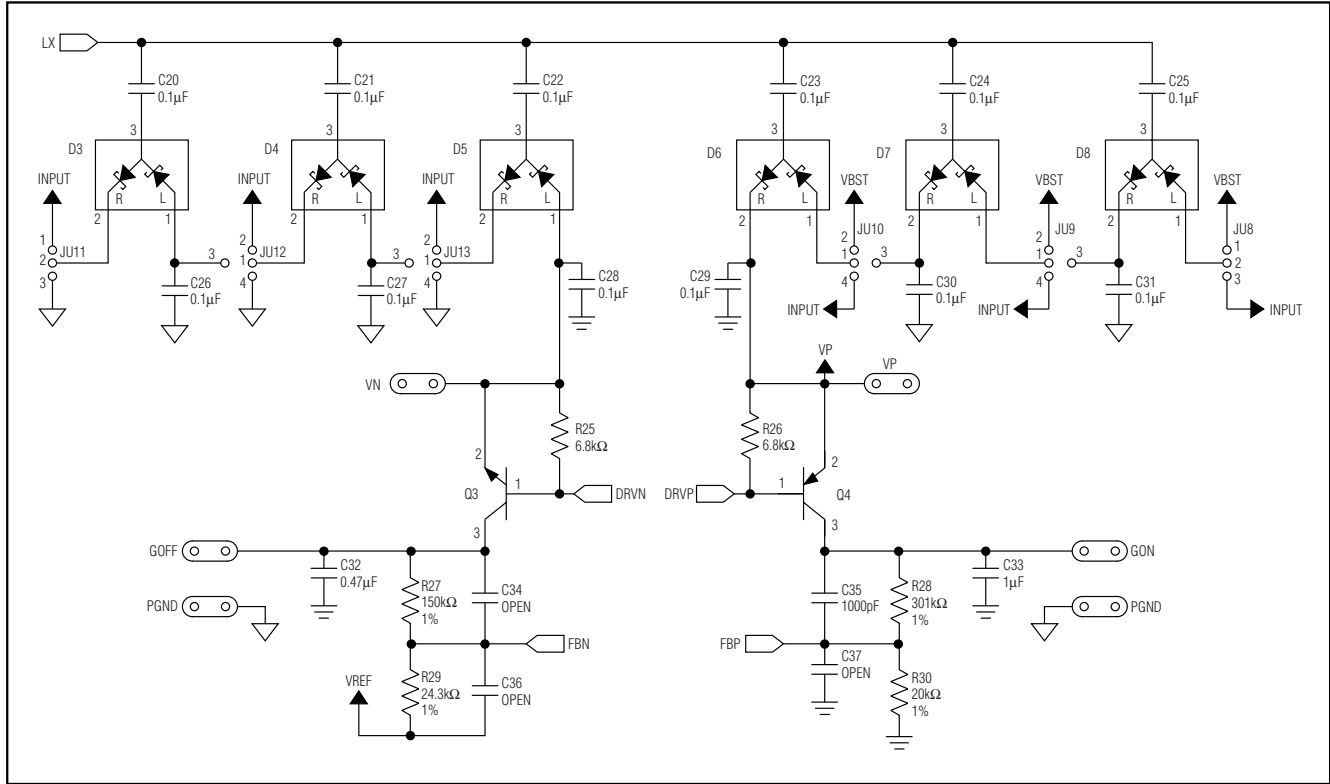


Figure 1. MAX1997 EV Kit Schematic (Sheet 2 of 2)

MAX1997 Evaluation Kit

Evaluates: MAX1997

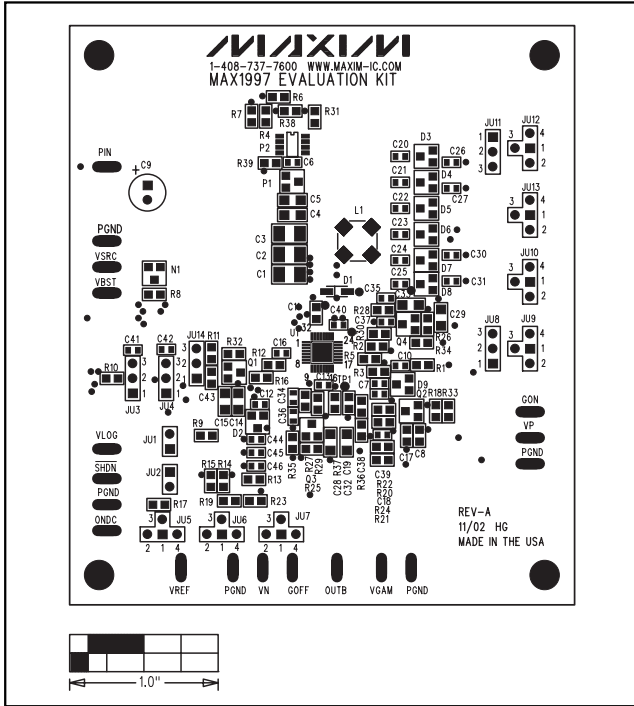


Figure 2. MAX1997 EV Kit Component Placement Guide—Component Side

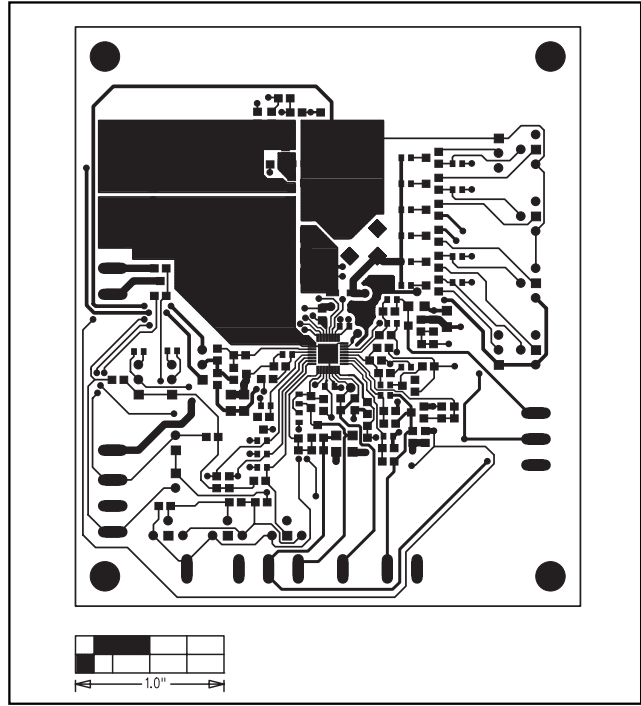


Figure 3. MAX1997 EV Kit PC Board Layout—Component Side

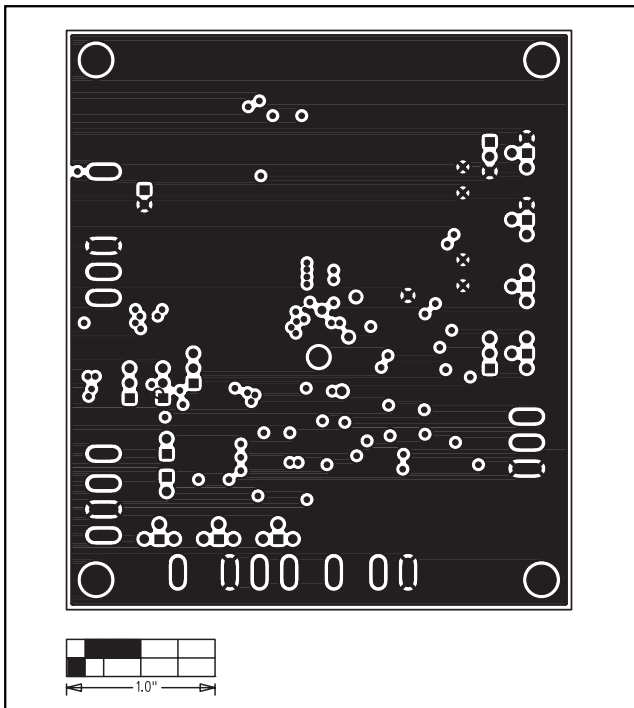


Figure 4. MAX1997 EV Kit PC Board Layout—GND Layer 2

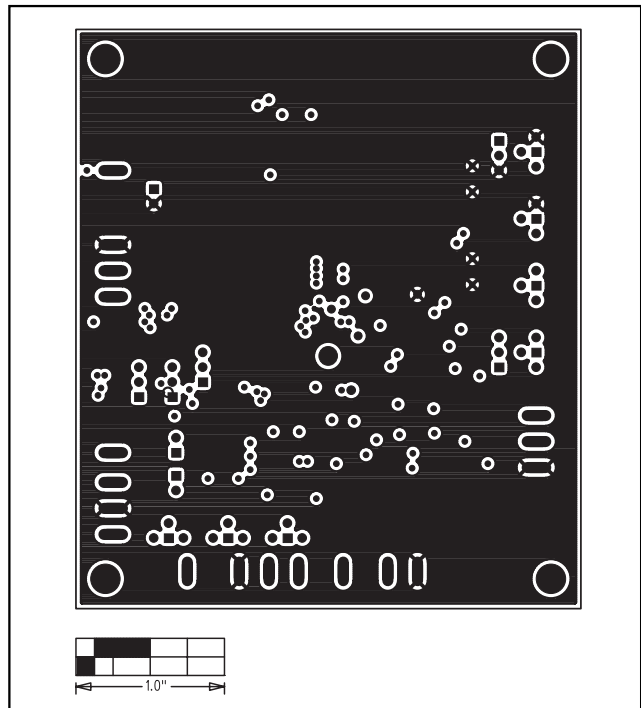


Figure 5. MAX1997 EV Kit PC Board Layout—GND Layer 3

MAX1997 Evaluation Kit

Evaluates: MAX1997

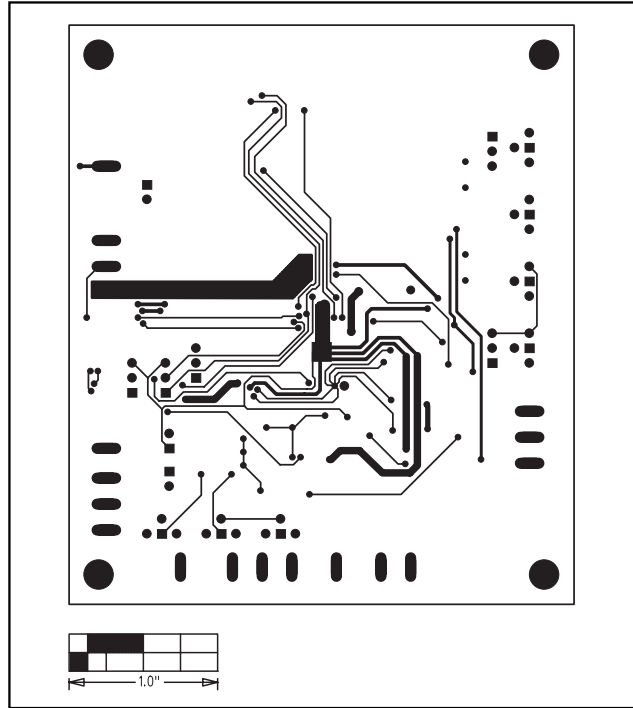


Figure 6. MAX1997 EV Kit PC Board Layout—Solder Side

Maxim cannot assume responsibility for use of any circuitry other than circuitry entirely embodied in a Maxim product. No circuit patent licenses are implied. Maxim reserves the right to change the circuitry and specifications without notice at any time.

12 _____ **Maxim Integrated Products, 120 San Gabriel Drive, Sunnyvale, CA 94086 408-737-7600**