

# E-Series 2-Way 0° Power Divider

## 5 - 120 MHz

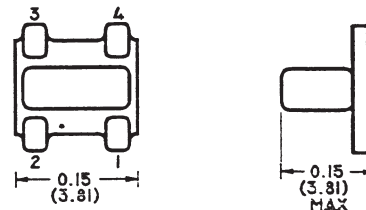
### ESSM-2-9-75

V2.00

#### Features

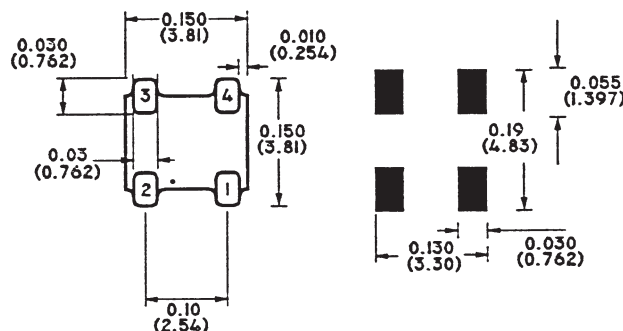
- \* 2 Way
- \* 0 Degree
- \* Surface Mount

SM-53



#### Specifications @ 25°C

<b>Frequency Range</b>	5 - 120 MHz	
<b>Insertion Loss</b>	Typical	Maximum
5 - 120 MHz	0.3 dB	0.6 dB
<b>Isolation</b>	Minimum	
5 - 50 MHz	23 dB	
50 - 60 MHz	22 dB	
60 - 120 MHz	21 dB	
<b>Amplitude Unbalance</b>	Maximum	
5 - 120 MHz	0.5 dB	
<b>Phase Unbalance</b>	Maximum	
5 - 120 MHz	2°	



#### Operating Characteristics

Impedance 75 Ohms Nominal

#### Absolute Maximum Ratings

Parameter	Absolute Maximum
Maximum Power Rating	1 Watt
Internal Load Dissipation	0.125 Watt
Pin Temp ( 10 sec )	260°C
Storage Temperature	-55°C to 100°C

#### Additional Specifications

Input Return Loss 20dB min, Output Return Loss 20dB min

Function	Pin No.
Not Connected	-
External 75 Ohms	-
Ground	3
Case Ground	-
Input	2
Port 1	1
Port 2	4

S 1207 A

M/A-COM, Inc.

Specifications Subject to Change Without Notice.

North America: Tel. (800) 366-2266  
Fax (800) 618-8883

Asia/Pacific: Tel. +81 3 3263 8761  
Fax +81 3 3263 8769

Europe: Tel. +44 (1344) 869 595  
Fax +44 (1344) 300 020

99