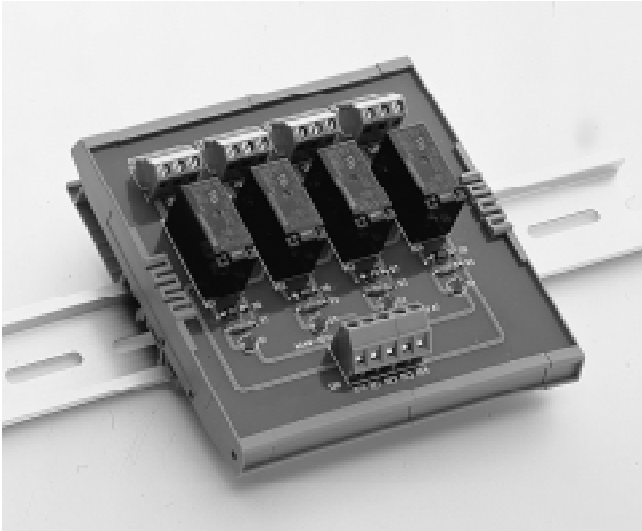


# ADAM-3854

## 4-channel DIN-rail Mounting Power Relay Module



### Features

- High power relays can handle up to 5 A @ 250 V<sub>AC</sub> and 5 A @ 30 V<sub>DC</sub>
- 4 single-pole double-throw (SPDT) relays
- Industrial screw terminals for easy output wiring
- LED status indicators
- On-board varistor protects relay contact points
- DIN-rail mounting

### Introduction

ADAM-3854 features four industrial SPDT (Form C) electromechanical power relays and a DIN-rail mount. Each of the relays is controlled by a +24 V<sub>DC</sub> digital signal and is equipped with an adjacent LED to display its status. Each output is equipped with a varistor that shunts the surge voltage of an inductive load or electromagnetic brake to protect the relay contact points.

All the relay outputs and relay controls are accessible through wiring terminals, allowing the ADAM-3854 to be easily connected to any item of equipment or device such as programmable logic controllers (PLCs).

### Applications

- Signal switching
- On/Off control
- Valve/solenoid control
- Annunciation control
- Alarm activation

### Specifications

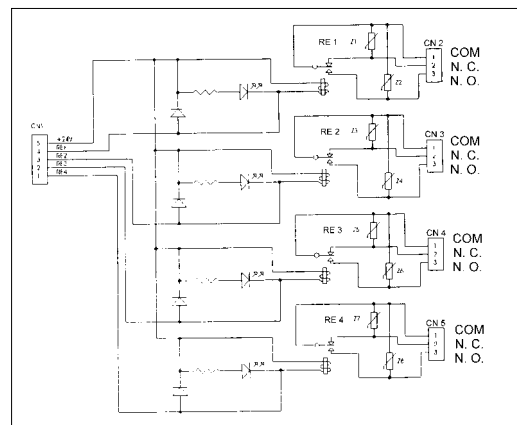
- Channels: 4
- Relay type: SPDT (Form C)
- Contact rating: AC: 250 V @ 5 A  
DC: 30 V @ 5 A
- Contact resistance: 100 m  $\Omega$
- Operation time: 15 msec. max.
- Release time: 5 msec. max.
- Life expectancy:  $1.7 \times 10^5$  at rated load
- Power requirements: +24 V<sub>DC</sub>

- Power consumption: 2.2 W
- Dimensions: 112.5 mm (L) x 118.4 mm (W) x 46 mm (H) (4.43" x 4.66" x 1.81")

### Varistor

- Maximum applied voltage: 300 V<sub>RMS</sub>
- Varistor voltage: 470 V (current = 1 mA)
- Clamping voltage: 760 V (10 A)
- Max. peak current: 1200 A for 8 msec

### Basic Function Diagram



### Ordering Information

- ADAM-3854  
4-channel DIN-rail Mounting Power Relay Module