

# ZXCT1010

## ENHANCED HIGH-SIDE CURRENT MONITOR

### DESCRIPTION

The ZXCT1010 is a high side current sense monitor. Using this device eliminates the need to disrupt the ground plane when sensing a load current.

It is an enhanced version of the ZXCT1009 offering reduced typical output offset and improved accuracy at low sense voltage.

The wide input voltage range of 20V down to as low as 2.5V make it suitable for a range of applications. A minimum operating current of just 4µA, combined with its SOT23-5 package make suitable for portable battery equipment.

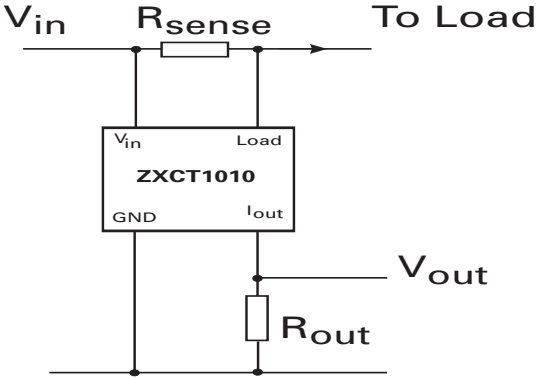
### FEATURES

- Low cost, accurate high-side current sensing.
- Output voltage scaling.
- Up to 2.5V sense voltage.
- 2.5V – 20V supply range.
- 300nA typical offset current.
- 4µA quiescent current.
- 1% typical accuracy.
- SOT23 -5 package.

### APPLICATIONS

- Battery Chargers
- Smart Battery Packs
- DC Motor control
- Over current monitor
- Power Management
- Level translating
- Programmable current source

### APPLICATION CIRCUIT



### ORDERING INFORMATION

PART NUMBER	PACKAGE	PARTMARKING
ZXCT1010E5	SOT23-5	1010

# ZXCT1010

## ABSOLUTE MAXIMUM RATINGS

Voltage on any pin	-0.6V to 20V (relative to GND)
Continuous output current	25mA
Continuous sense voltage	$V_{in} + 0.5V > V_{sense}^{\dagger} > V_{in} - 5V$
Operating Temperature	-40 to 85°C
Storage Temperature	-55 to 125°C
Package Power Dissipation SOT23-5	( $T_A = 25^{\circ}C$ ) 500mW

## ELECTRICAL CHARACTERISTICS

Test Conditions  $T_A = 25^{\circ}C$ ,  $V_{in} = 5V$ ,  $R_{out} = 100\Omega$ .

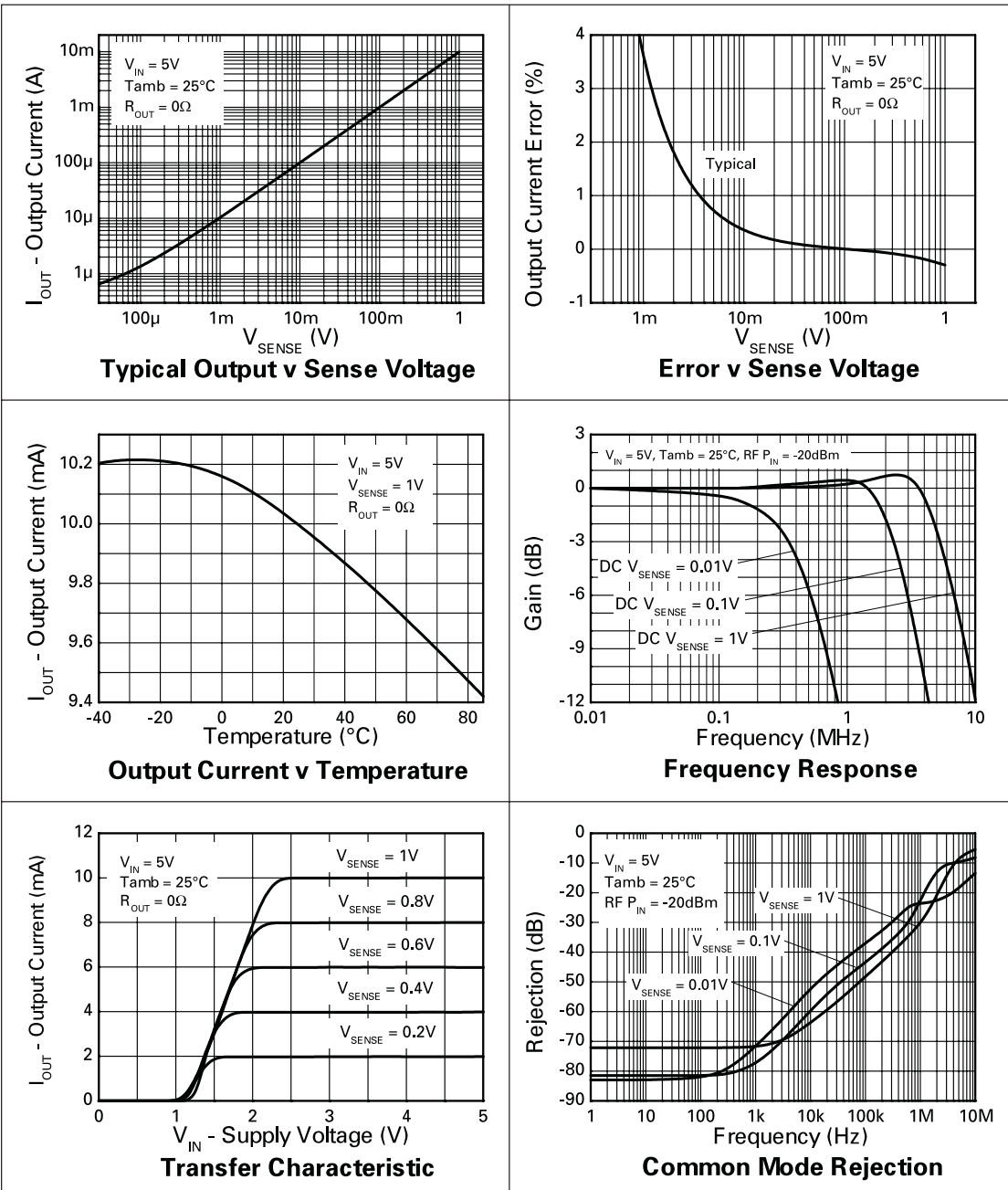
SYMBOL	PARAMETER	CONDITIONS	LIMITS			UNIT
			Min	Typ	Max	
$V_{in}$	$V_{CC}$ Range		2.5		20	V
$I_{out}^1$	Output current	$V_{sense} = 0V$	0	0.3	10	$\mu A$
		$V_{sense} = 10mV$	85	100	115	$\mu A$
		$V_{sense} = 100mV$	0.975	1.00	1.025	mA
		$V_{sense} = 200mV$	1.95	2.00	2.05	mA
		$V_{sense} = 1V$	9.7	10.0	10.3	mA
$I_q$	Ground pin current	$V_{sense} = 0V$	1	4	8	$\mu A$
$V_{sense}^2$	Sense Voltage		0		2500	mV
$I_{sense}$	Load pin input current				100	nA
Acc	Accuracy	$R_{sense} = 0.1\Omega$ $V_{sense} = 200mV$	-2.5		2.5	%
Gm	Transconductance, $I_{out} / V_{sense}$			10000		$\mu A/V$
BW	Bandwidth	RF $P_{in} = -20dBm^3$ $V_{sense} = 10mV$ dc $V_{sense} = 100mV$ dc		300		kHz
				2		MHz

<sup>1</sup> Includes input offset voltage contribution

<sup>2</sup>  $V_{sense} = V_{in} - V_{load}$

<sup>3</sup> -20dBm=63mVp-p into 50 $\Omega$

TYPICAL CHARACTERISTICS

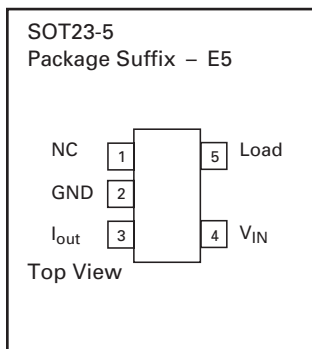


# ZXCT1010

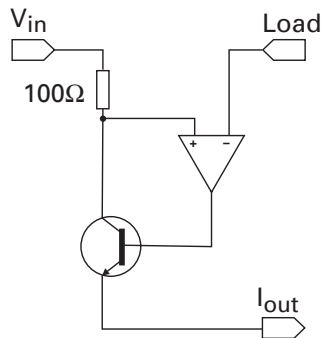
## PIN DESCRIPTION

Pin Name	Pin Function
$V_{in}$	Supply Voltage
Load	Connection to load/battery
$I_{out}$	Output current, proportional to $V_{in} - V_{load}$
GND	Ground

## CONNECTION DIAGRAM



## SCHEMATIC DIAGRAM



# ZXCT1010

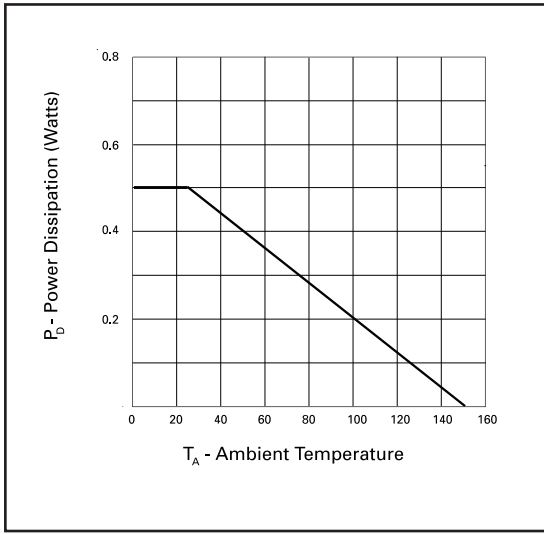
### POWER DISSIPATION

The maximum allowable power dissipation of the device for normal operation ( $P_{max}$ ), is a function of the package junction to ambient thermal resistance ( $\theta_{ja}$ ), maximum junction temperature ( $T_{jmax}$ ), and ambient temperature ( $T_{amb}$ ), according to the expression:

$$P_{max} = (T_{jmax} - T_{amb}) / \theta_{ja}$$

The device power dissipation,  $P_D$  is given by the expression:

$$P_D = I_{out} \cdot (V_{in} - V_{out}) \text{ Watts}$$



### APPLICATIONS INFORMATION

The following lines describe how to scale a load current to an output voltage.

$$V_{sense} = V_{in} - V_{load}$$

$$V_{out} = 0.01 \times V_{sense} \times R_{out}^1$$

E.g.

A 1A current is to be represented by a 100mV output voltage:

1) Choose the value of  $R_{sense}$  to give  $50mV > V_{sense} > 500mV$  at full load.

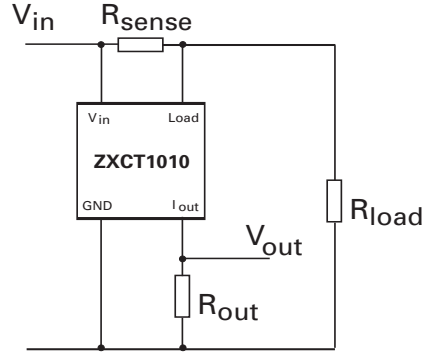
For example  $V_{sense} = 100mV$  at 1.0A.  $R_{sense} = 0.1/1.0 \Rightarrow 0.1 \text{ ohms}$ .

2) Choose  $R_{out}$  to give  $V_{out} = 100mV$ , when  $V_{sense} = 100mV$ .

Rearranging <sup>1</sup> for  $R_{out}$  gives:  
 $R_{out} = V_{out} / (V_{sense} \times 0.01)$

$$R_{out} = 0.1 / (0.1 \times 0.01) = 100 \Omega$$

### TYPICAL CIRCUIT APPLICATION

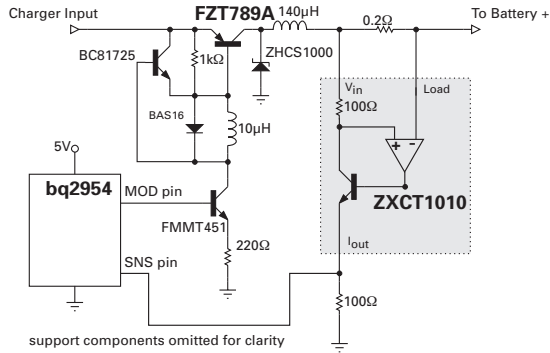


Where  $R_{load}$  represents any load including DC motors, a charging battery or further circuitry that requires monitoring,  $R_{sense}$  can be selected on specific requirements of accuracy, size and power rating.



# ZXCT1010

## APPLICATIONS INFORMATION (Continued)

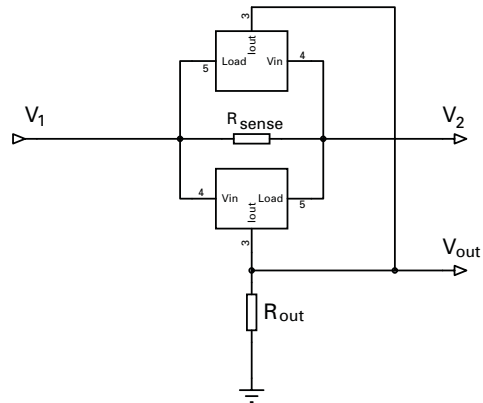


### Li-Ion Charger Circuit

The above figure shows the ZXCT1010 supporting the Benchmarq bq2954 Charge Management IC. Most of the support components for the bq2954 are omitted for clarity. This design also uses the Zetex FZT789A high current Super- $\beta$  PNP as the switching transistor in the DC-DC step down converter and the FM451 as the drive NPN for the FZT789A. The circuit can be configured to charge up to four Li-Ion cells at a charge current of 1.25A. Charge can be terminated on maximum voltage, selectable minimum current, or maximum time out. Switching frequency of the PWM loop is approximately 120kHz.

### Bi-Directional Current Sensing

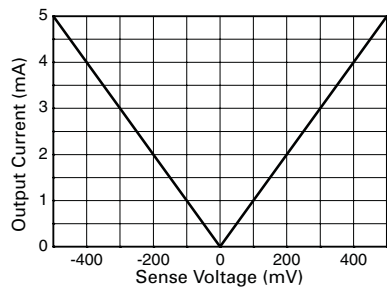
The ZXCT1010 can be used to measure current bi-directionally, if two devices are connected as shown below.



If the voltage  $V_1$  is positive with respect to the voltage  $V_2$  the lower device will be active, delivering a proportional output current to  $R_{out}$ . Due to the polarity of the voltage across  $R_{sense}$ , the upper device will be inactive and will not contribute to the current delivered to  $R_{out}$ . When  $V_2$  is more positive than  $V_1$ , current will be flowing in the opposite direction, causing the upper device to be active instead.

Non-linearity will be apparent at small values of  $V_{sense}$  due to offset current contribution. Devices can use separate output resistors if the current direction is to be monitored independently.

### Bi-directional Transfer Function



Output Current v Sense Voltage

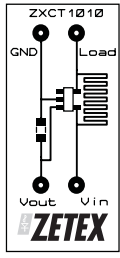
# ZXCT1010

**APPLICATIONS INFORMATION (Continued)**

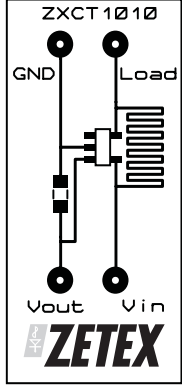
**PCB trace shunt resistor for low cost solution.**

The figure below shows output characteristics of the device when using a PCB resistive trace for a low cost solution in replacement for a conventional shunt resistor. The graph shows the linear rise in voltage across the resistor due to the PTC of the material and demonstrates how this rise in resistance value over temperature compensates for the NTC of the device.

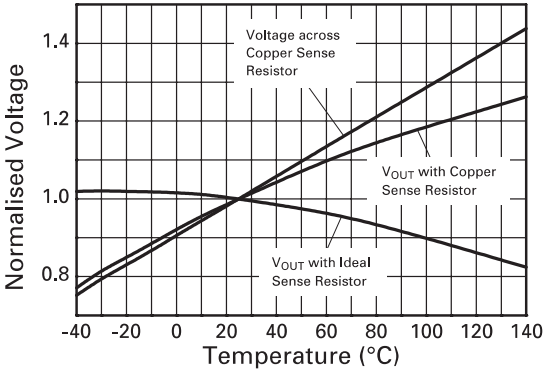
The figure opposite shows a PCB layout suggestion. The resistor section is 25mm x 0.25mm giving approximately 150mΩ using 1oz copper. The data for the normalised graph was obtained using a 1A load current and a 100Ω output resistor. An electronic version of the PCB layout is available at [www.zetex.com/isense](http://www.zetex.com/isense)



Actual Size



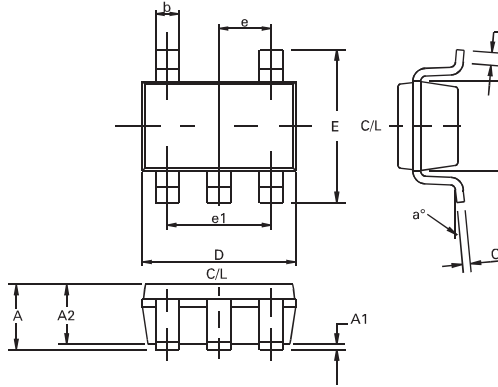
Layout shows area of shunt resistor compared to SOT23-5 package. Not actual size



Effect of Sense Resistor Material on Temperature Performance

# ZXCT1010

## PACKAGE DIMENSIONS SOT23-5



DIM	Millimetres		Inches	
	MIN	MAX	MIN	MAX
A	0.90	1.45	0.035	0.057
A1	0.00	0.15	0.00	0.006
A2	0.90	1.3	0.035	0.051
b	0.35	0.50	0.014	0.020
C	0.09	0.20	0.0035	0.008
D	2.80	3.00	0.110	0.118
E	2.60	3.00	0.102	0.118
E1	1.50	1.75	0.059	0.069
e	0.95 REF		0.037 REF	
e1	1.90 REF		0.075 REF	
L	0.10	0.60	0.004	0.024
a°	0	10	0	10

© Zetex plc 2001

Zetex plc  
Fields New Road  
Chadderton  
Oldham, OL9 8NP  
United Kingdom  
Telephone (44) 161 622 4422  
Fax: (44) 161 622 4420

Zetex GmbH  
Streitfeldstraße 19  
D-81673 München  
Germany  
Telefon: (49) 89 45 49 49 0  
Fax: (49) 89 45 49 49 49

Zetex Inc  
700 Veterans Memorial Hwy  
Hauppauge, NY11788  
USA  
Telephone: (631) 360 2222  
Fax: (631) 360 8222

Zetex (Asia) Ltd  
3701-04 Metroplaza, Tower 1  
Hing Fong Road  
Kwai Fong  
Hong Kong  
Telephone: (852) 26100 611  
Fax: (852) 24250 494

These offices are supported by agents and distributors in major countries world-wide.

This publication is issued to provide outline information only which (unless agreed by the Company in writing) may not be used, applied or reproduced for any purpose or form part of any order or contract or be regarded as a representation relating to the products or services concerned. The Company reserves the right to alter without notice the specification, design, price or conditions of supply of any product or service.

For the latest product information, log on to [www.zetex.com](http://www.zetex.com)

 **ZETEX**

ISSUE 4 - DECEMBER 2001