

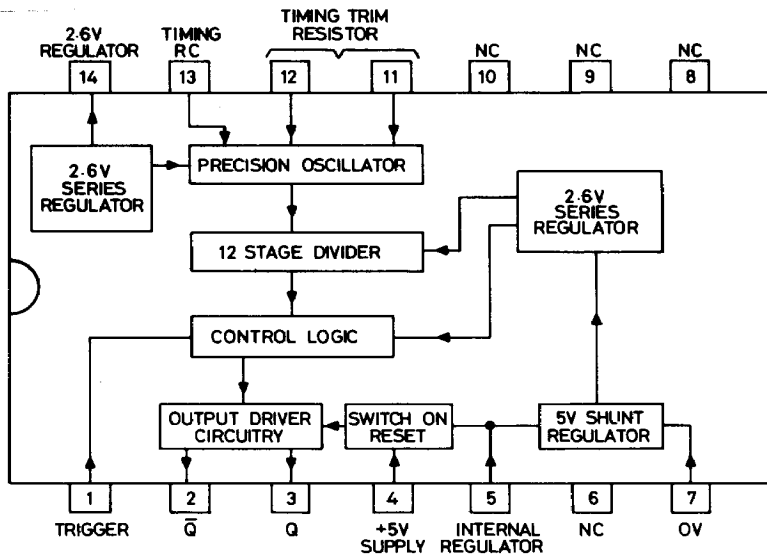
ZN1034E

The device allows easy construction of simple but precise timing functions which will be ideal in a host of applications.

The frequency of an on-chip oscillator is determined by an externally connected capacitor and adjustable/fixed resistor. In addition, fine adjustment can be achieved by connection of a calibration timing potentiometer. Pulses from the oscillator feed through a 12 stage binary divider which times-out after 4095 counts. The I.C. incorporates its own voltage regulator and two modes of operation can be used.

FEATURES

- Extremely simple, requiring only one external resistor and capacitor
- 12 stage counter provides time intervals up to 7,500 CR
- Low internal current consumption of 5 mA allows battery operation. Output current capability of 25 mA
- Excellent temperature stability $<0.01\%/^{\circ}\text{C}$
- Accurate repetitive timing 0.01% typical
- On-chip regulator or TTL supply option
- Complementary TTL compatible outputs
- 0 to 70°C operation
- 14 pin plastic D.I.L.



System Diagram