

**TC74HCT574AP, TC74HCT574AF, TC74HCT574AFW**

**OCTAL D-TYPE FLIP-FLOP WITH 3-STATE OUTPUT**

The TC74HCT574A is a high speed CMOS OCTAL FLIP-FLOP with 3-STATE OUTPUT fabricated with silicon gate C<sup>2</sup>MOS technology.

It achieves the high speed operation similar to equivalent LSTTL while maintaining the CMOS low power dissipation.

Its inputs are compatible with TTL, NMOS, and CMOS output voltage levels.

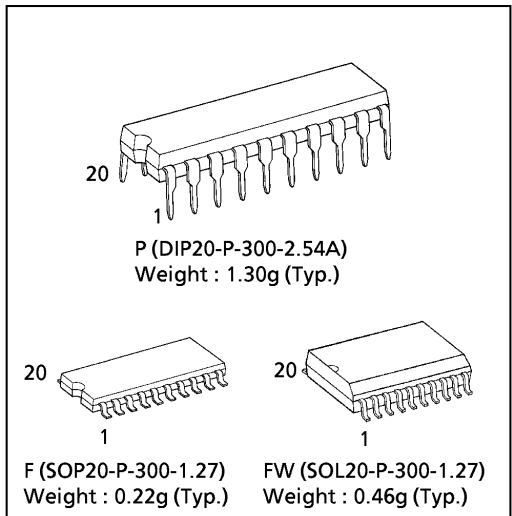
Its 8-bit D-type flip-flops is controlled by a clock input (CK) and an output enable input ( $\overline{OE}$ ).

All inputs are equipped with protection circuits against static discharge or transient excess voltage.

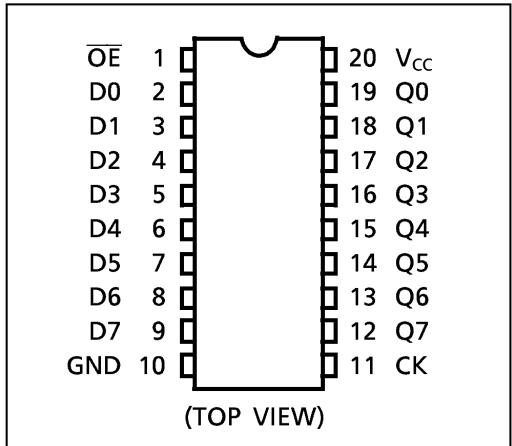
**FEATURES :**

- High Speed.....  $f_{MAX} = 62\text{MHz}$  (typ.)  
at  $V_{CC} = 5\text{V}$
- Low Power Dissipation.....  $I_{CC} = 4\mu\text{A}$ (Max.) at  $T_a = 25^\circ\text{C}$
- Compatible with TTL outputs...  $V_{IL} = 0.8\text{V}$  (Min.)  
 $V_{IH} = 2.0\text{V}$  (Max.)
- Output Drive Capability..... 15 LSTTL Loads
- Symmetrical Output Impedance...  $|I_{OH}| = I_{OL} = 6\text{mA}$  (Min.)
- Balanced Propagation Delays...  $t_{pLH} \approx t_{pHL}$
- Pin and Function Compatible with 74LS574

(Note) The JEDEC SOP (FW) is not available in Japan.



**PIN ASSIGNMENT**

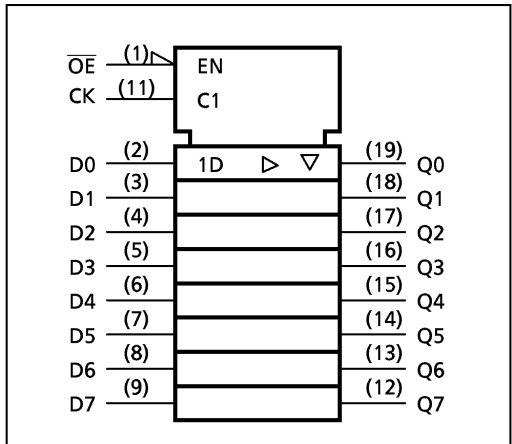


**TRUTH TABLE**

INPUTS			OUTPUT
$\overline{OE}$	CK	D	Q
H	X	X	Z
L		X	$Q_n$
L		L	L
L		H	H

X : Don't Care  
Z : High Impedance  
 $Q_n$  : No Change

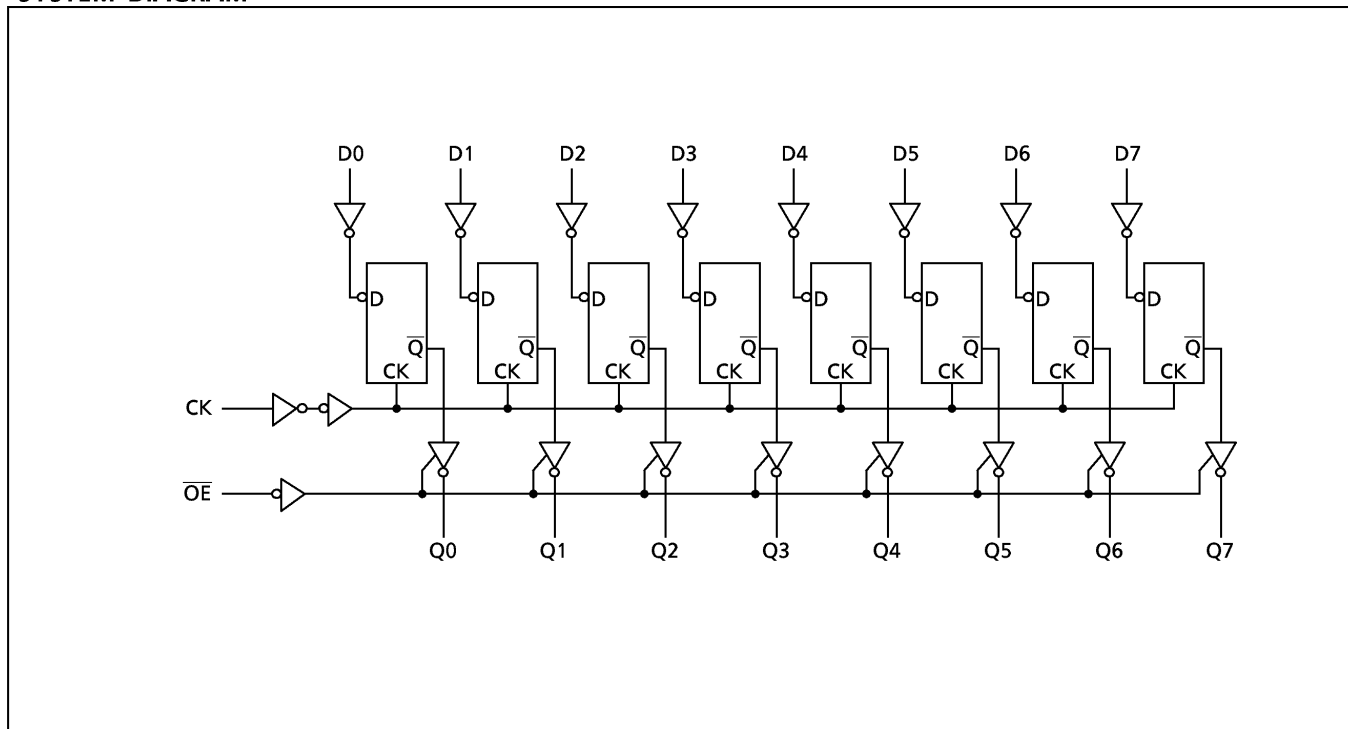
**IEC LOGIC SYMBOL**



980508EBA2

● TOSHIBA is continually working to improve the quality and the reliability of its products. Nevertheless, semiconductor devices in general can malfunction or fail due to their inherent electrical sensitivity and vulnerability to physical stress. It is the responsibility of the buyer, when utilizing TOSHIBA products, to observe standards of safety, and to avoid situations in which a malfunction or failure of a TOSHIBA product could cause loss of human life, bodily injury or damage to property. In developing your designs, please ensure that TOSHIBA products are used within specified operating ranges as set forth in the most recent products specifications. Also, please keep in mind the precautions and conditions set forth in the TOSHIBA Semiconductor Reliability Handbook.

## SYSTEM DIAGRAM



980508EBA2'

- The products described in this document are subject to foreign exchange and foreign trade laws.
- The information contained herein is presented only as a guide for the applications of our products. No responsibility is assumed by TOSHIBA CORPORATION for any infringements of intellectual property or other rights of the third parties which may result from its use. No license is granted by implication or otherwise under any intellectual property or other rights of TOSHIBA CORPORATION or others.
- The information contained herein is subject to change without notice.

## ABSOLUTE MAXIMUM RATINGS

PARAMETER	SYMBOL	VALUE	UNIT
Supply Voltage Range	$V_{CC}$	-0.5~7	V
DC Input Voltage	$V_{IN}$	-0.5~ $V_{CC}+0.5$	V
DC Output Voltage	$V_{OUT}$	-0.5~ $V_{CC}+0.5$	V
Input Diode Current	$I_{IK}$	±20	mA
Output Diode Current	$I_{OK}$	±20	mA
DC Output Current	$I_{OUT}$	±35	mA
DC $V_{CC}$ /Ground Current	$I_{CC}$	±75	mA
Power Dissipation	$P_D$	500 (DIP)* / 180 (SOP)	mW
Storage Temperature	$T_{stg}$	-65~150	°C

\*500mW in the range of  $T_a = -40^{\circ}\text{C} \sim 65^{\circ}\text{C}$ . From  $T_a = 65^{\circ}\text{C}$  to  $85^{\circ}\text{C}$  a derating factor of  $-10\text{mW}/^{\circ}\text{C}$  shall be applied until 300mW.

## RECOMMENDED OPERATING CONDITIONS

PARAMETER	SYMBOL	VALUE	UNIT
Supply Voltage	$V_{CC}$	4.5~5.5	V
Input Voltage	$V_{IN}$	0~ $V_{CC}$	V
Output Voltage	$V_{OUT}$	0~ $V_{CC}$	V
Operating Temperature	$T_{opr}$	-40~85	°C
Input Rise and Fall Time	$t_r, t_f$	0~500	ns

## DC ELECTRICAL CHARACTERISTICS

PARAMETER	SYMBOL	TEST CONDITION	$V_{CC}$ (V)	$T_a = 25^{\circ}\text{C}$			$T_a = -40 \sim 85^{\circ}\text{C}$		UNIT	
				MIN.	TYP.	MAX.	MIN.	MAX.		
High - Level Input Voltage	$V_{IH}$		4.5 ┆ 5.5	2.0	—	—	2.0	—	V	
Low - Level Input Voltage	$V_{IL}$		4.5 ┆ 5.5	—	—	0.8	—	0.8	V	
High - Level Output Voltage	$V_{OH}$	$V_{IN} = V_{IH}$ or $V_{IL}$	$I_{OH} = -20 \mu\text{A}$	4.5	4.4	4.5	—	4.4	—	V
			$I_{OH} = -6 \text{ mA}$	4.5	4.18	4.31	—	4.13	—	V
Low - Level Output Voltage	$V_{OL}$	$V_{IN} = V_{IH}$ or $V_{IL}$	$I_{OL} = 20 \mu\text{A}$	4.5	—	0.0	0.1	—	0.1	V
			$I_{OL} = 6 \text{ mA}$	4.5	—	0.17	0.26	—	0.33	V
3 - State Output Off - State Current	$I_{OZ}$	$V_{IN} = V_{IH}$ or $V_{IL}$ $V_{OUT} = V_{CC}$ or GND	5.5	—	—	±0.5	—	±5.0	$\mu\text{A}$	
Input Leakage Current	$I_{IN}$	$V_{IN} = V_{CC}$ or GND	5.5	—	—	±0.1	—	±1.0	$\mu\text{A}$	
Quiescent Supply Current	$I_{CC}$	$V_{IN} = V_{CC}$ or GND	5.5	—	—	4.0	—	40.0	$\mu\text{A}$	
	$I_C$	Per input: $V_{IN} = 0.5\text{V}$ or $2.4\text{V}$ Other input: $V_{CC}$ or GND	5.5	—	—	2.0	—	2.9	mA	

**TIMING REQUIREMENTS (Input  $t_r = t_f = 6ns$ )**

PARAMETER	SYMBOL	TEST CONDITION	V <sub>CC</sub> (V)		Ta = 25°C		Ta = -40~85°C	UNIT
			4.5	5.5	TYP.	LIMIT	LIMIT	
Minimum Pulse Width (CK)	$t_{W(H)}$ $t_{W(L)}$		4.5	5.5	—	15	19	ns
			—	—	—	14	17	
Minimum Set-up Time (Dn)	$t_s$		4.5	5.5	—	15	19	
			—	—	—	14	17	
Minimum Hold Time (Dn)	$t_h$		4.5	5.5	—	0	0	
			—	—	—	0	0	
Clock Frequency	f		4.5	5.5	—	31	25	MHz
			—	—	—	34	27	

**AC ELECTRICAL CHARACTERISTICS (Input  $t_r = t_f = 6ns$ )**

PARAMETER	SYMBOL	TEST CONDITION	CL (pF)	V <sub>CC</sub> (V)	Ta = 25°C			Ta = -40~85°C		UNIT
					MIN.	TYP.	MAX.	MIN.	MAX.	
Output Transition Time	$t_{TLH}$ $t_{THL}$		50	4.5	—	7	12	—	15	ns
				5.5	—	6	11	—	14	
Propagation Delay Time (CK-Q)	$t_{pLH}$ $t_{pHL}$		50	4.5	—	19	30	—	38	
				5.5	—	16	27	—	34	
			150	4.5	—	24	40	—	48	
				5.5	—	21	35	—	44	
Output Enable time	$t_{pZL}$ $t_{pZH}$	$R_L = 1k\Omega$	50	4.5	—	19	30	—	38	
				5.5	—	16	27	—	34	
			150	4.5	—	24	40	—	48	
				5.5	—	21	35	—	44	
Output Disable time	$t_{pLZ}$ $t_{pHZ}$	$R_L = 1k\Omega$	50	4.5	—	19	30	—	38	
				5.5	—	16	27	—	34	
Maximum Clock Frequency	$f_{MAX}$		50	4.5	31	50	—	25	MHz	
				5.5	34	60	—	27		
Input Capacitance	$C_{IN}$				—	5	10	—	pF	
Output Capacitance	$C_{OUT}$				—	10	—	—		
Power Dissipation Capacitance	$C_{PD} (1)$				—	62	—	—		

Note (1)  $C_{PD}$  is defined as the value of the internal equivalent capacitance which is calculated from the operating current consumption without load.

Average operating current can be obtained by the equation :

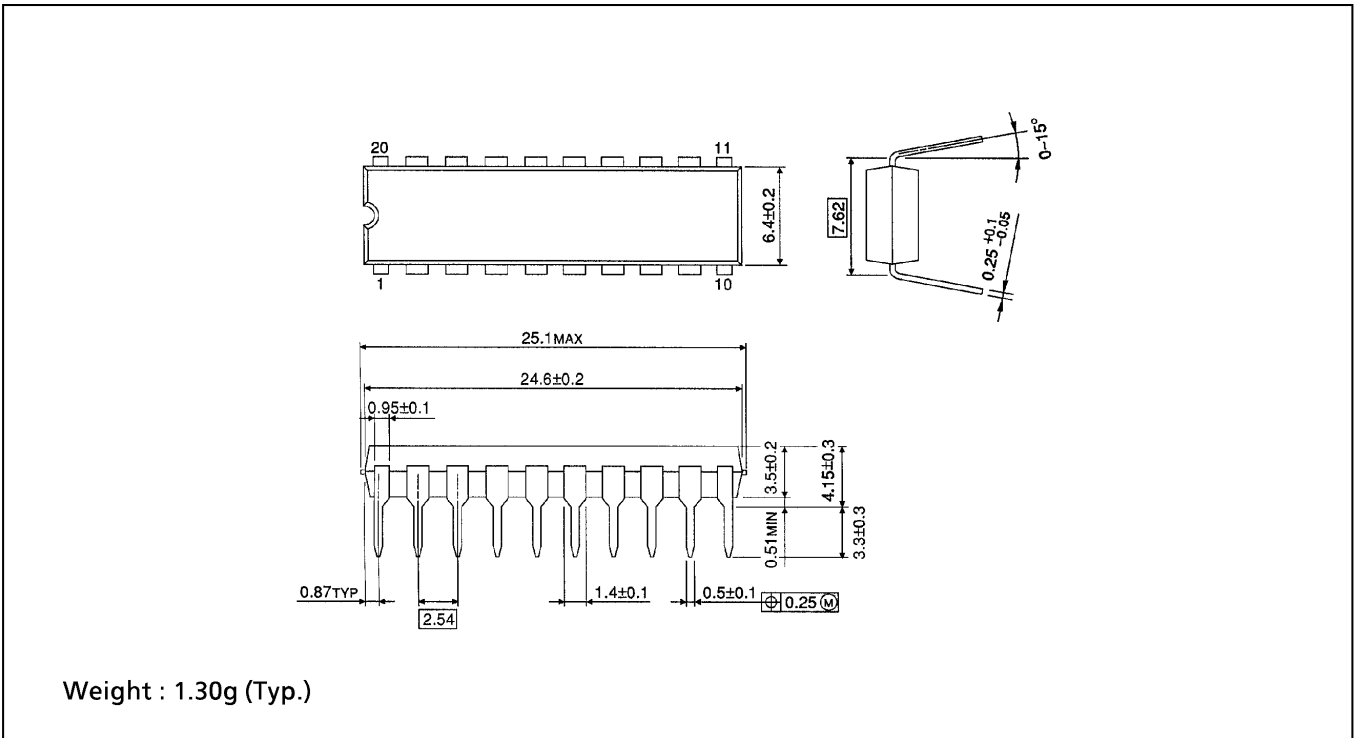
$$I_{CC} (opr) = C_{PD} \cdot V_{CC} \cdot f_{IN} + I_{CC} / 8 \text{ (per bit)}$$

And the total  $C_{PD}$  when n pcs. of Flip flop operate can be gained by the following equation:

$$C_{PD} (total) = 47 + 15 \cdot n$$

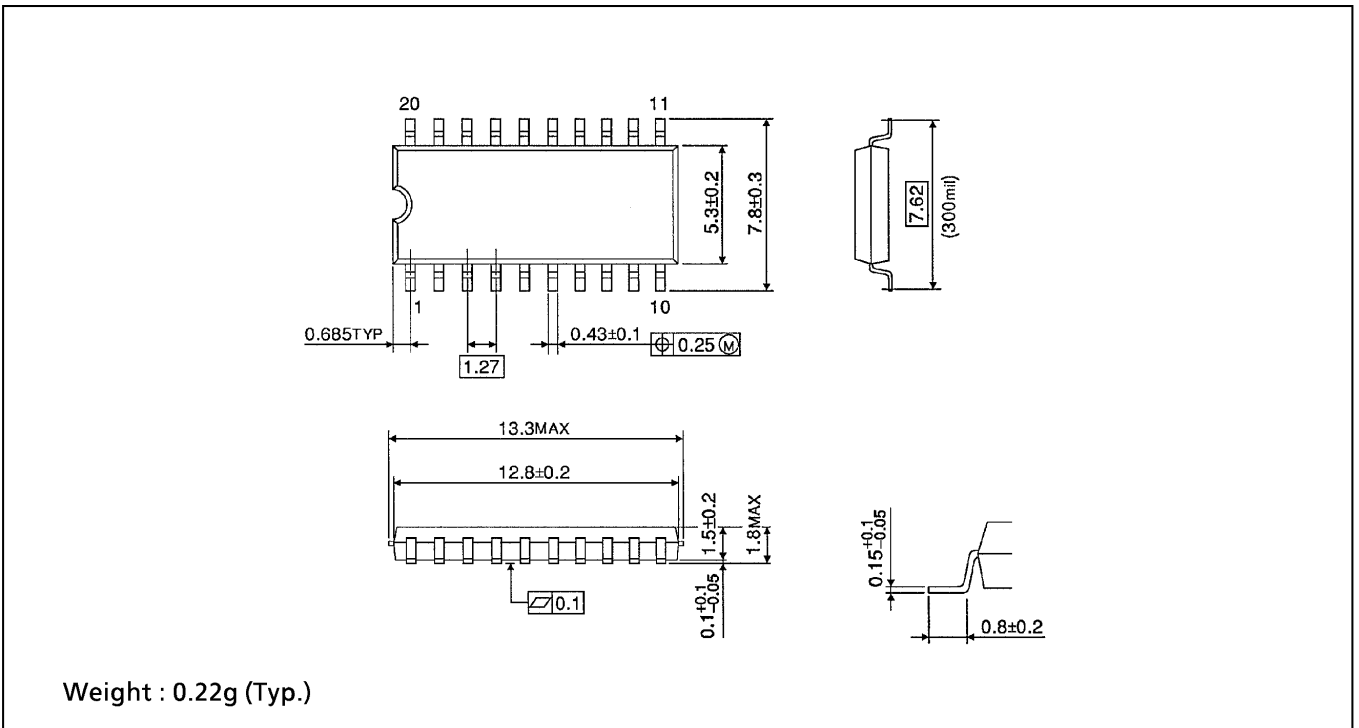
**DIP 20PIN OUTLINE DRAWING (DIP20-P-300-2.54A)**

Unit in mm



**SOP 20PIN (200mil BODY) OUTLINE DRAWING (SOP20-P-300-1.27)**

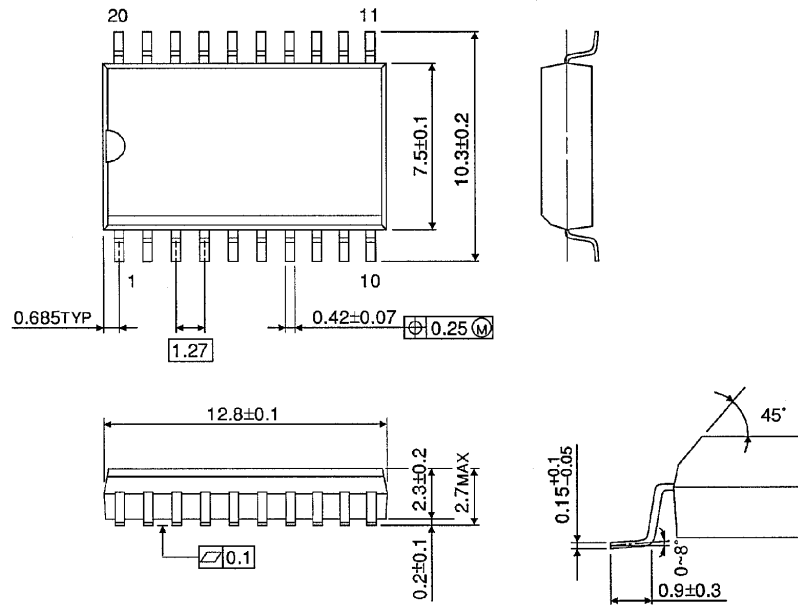
Unit in mm



SOP 20PIN (300mil BODY) OUTLINE DRAWING (SOL20-P-300-1.27)

Unit in mm

(Note) This package is not available in Japan.



Weight : 0.46g (Typ.)