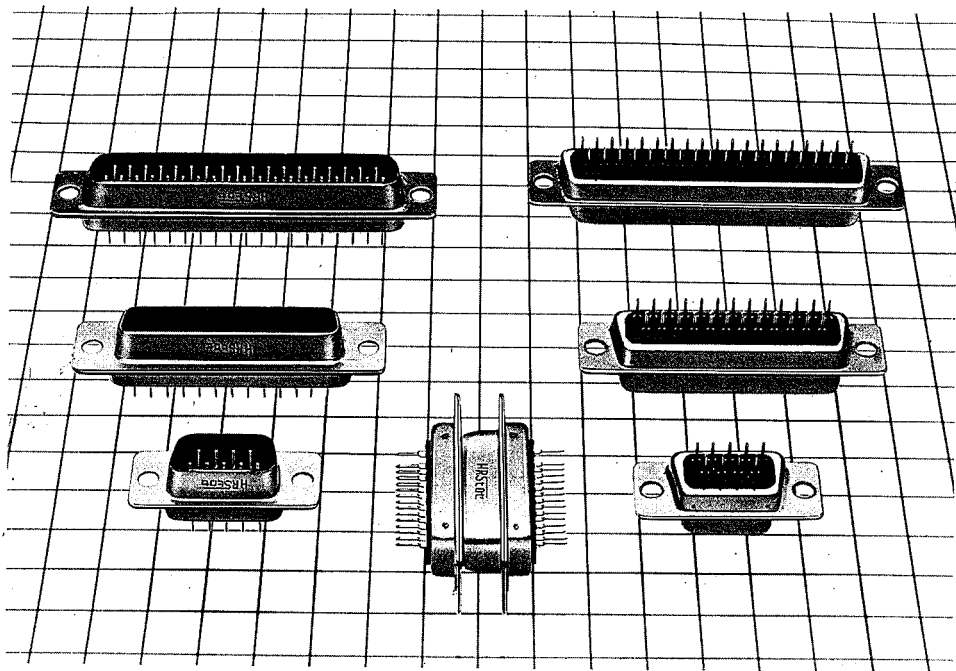


SD SERIES. STRAIGHT/METAL PCB D-SUB

General

The SD*B and SD*G Series D sub-straight dip soldering connectors are designed to be mounted vertically on PCBs. Directly connected to the circuits on PCBs, they are suitable for saving labor in mounting. 9, 15, 25, 37, and 50-contact models available.



Features

- (1) Compact and sturdy due to a metal shell.
- (2) Saves gold by plating contacts with gold and PCB-contacting parts with solder.
- (3) Directly mountable vertically on PCBs in high density and easily connectable to a cable plug.
- (4) A wide variety of combinations available, such as dip soldering (HD), crimping (CD), and ribbon IDC termination (FD).
- (5) Uses insulation made from highly heat-resistant and chemical resistant glass-containing resin (UL94V-0).

Applications

Computers, peripherals and terminals, control equipment, and measuring instruments.

Electrical and Environmental

Electrical and Environmental Characteristics	
CURRENT RATING:	3A
VOLTAGE RATING:	AC 350V
INSULATION RESISTANCE:	5000M Ω or more at DC 500V
CONTACT RESISTANCE:	15m Ω or less at DC 100mA
WITHSTANDING VOLTAGE:	AC 1250V r.m.s./1 min.

Type: SD*G 30m Ω or less.

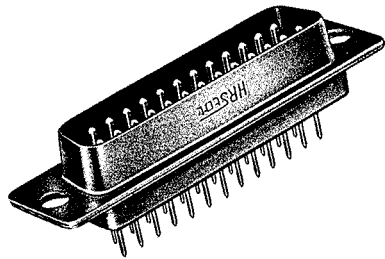
Material and Finish		
SHELL	Steel	zinc-plated followed by treatment with dichromate or nickel-plating
INSULATOR	PBT ※	(GE Valox) Black
CONTACT	Phosphor Bronze	(Selective Gold/Nickel)

※UL94V-0

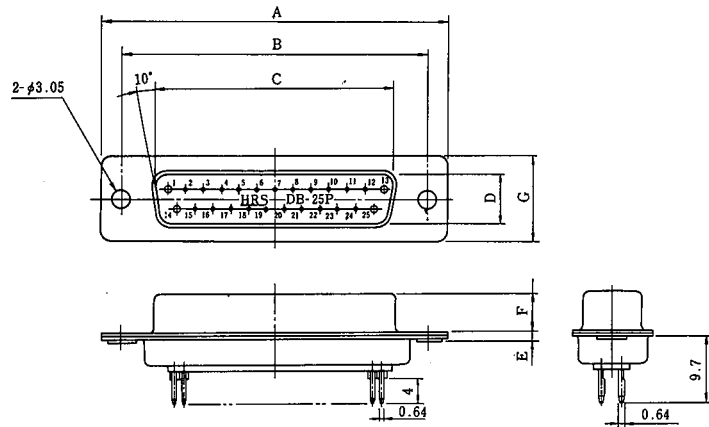
Connector Housing

SD B B - 25 P (05)
 | | | | | |
 (1) (2) (3) (4) (5) (6)

- (1) Model number symbol SD: D substrate dip type
- (2) Shell size: E, A, B, C and D
- (3) Serial symbols by type of connector unit:
 - B: Standard type
 - G: Terminal long leg type
- (4) Number of poles: 9, 15, 25, 37 and 50
- (5) Terminal opening shape symbol
 - P: male terminal
 - S: female terminal
- (6) Shell treatment:
 - No symbol: treated with dichromate after galvanizing
 - (05): Nickel-plated



CL211-0521-0
SDBB-25P

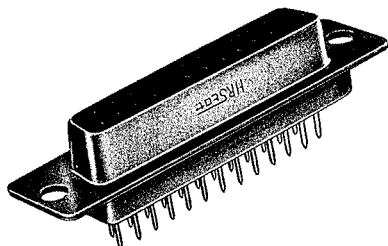


The figure shows a 25-contact model (SDBB-25P)

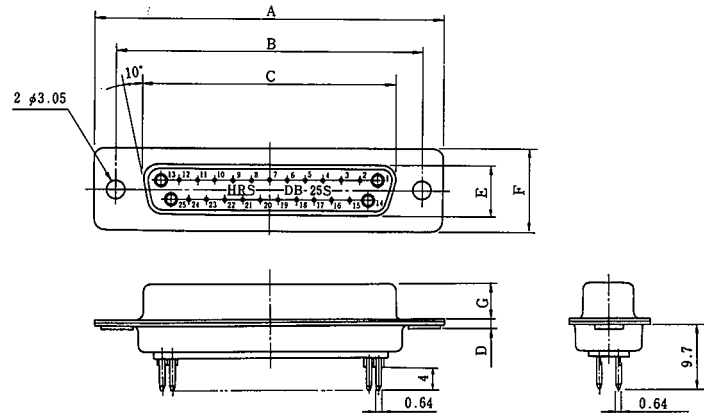
(Unit:mm)

HRS No.	No. of Pin	Part No.	A	B	C	D	E	F	G
* CL211-0247-3	9	SDEB-9P	30.81	24.99	16.9	8.34	1.2	5.99	12.55
* CL211-0249-9	15	SDAB-15P	39.14	33.32	25.24	8.34	1.2	5.99	12.55
* CL211-0251-0	25	SDBB-25P	53.04	47.04	39.01	8.4	1.3	5.87	12.55
* CL211-0253-6	37	SDCB-37P	69.32	63.5	55.47	8.4	1.4	5.87	12.55
* CL211-0395-0	50	SDDB-50P	66.93	61.11	52.85	11.13	1.5	5.87	15.37

*: Standard. Nickel-plated versions have (05) added to their standard part numbers.



CL211-0252-3
SDBB-25S



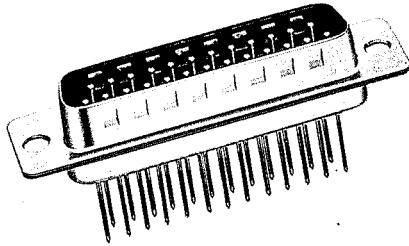
The figure shows a 25-contact model (SDBB-25S)

(Unit:mm)

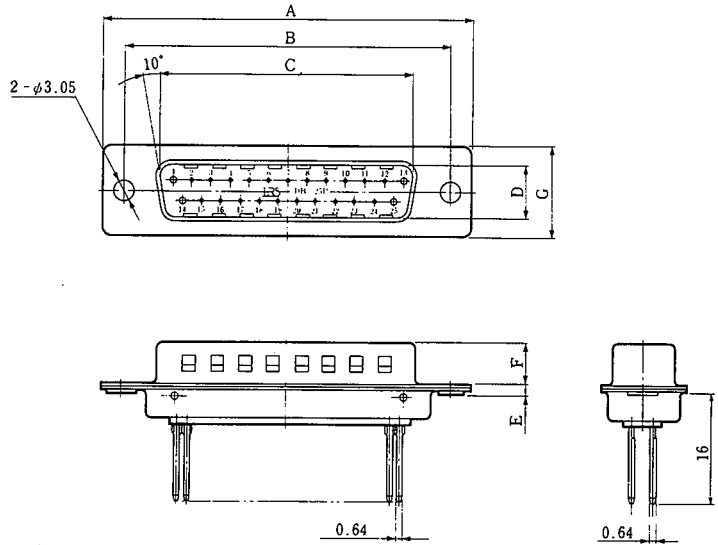
HRS No.	No. of pin	Part No.	A	B	C	D	E	F	G
* CL211-0248-6	9	SDEB-9S	30.81	24.99	16.4	1.2	7.82	12.55	6.17
* CL211-0250-8	15	SDAB-15S	39.14	33.32	24.59	1.2	7.82	12.55	6.17
* CL211-0252-3	25	SDBB-25S	53.04	47.04	38.3	1.2	7.82	12.55	6.17
* CL211-0254-9	37	SDCB-37S	69.32	63.5	54.76	1.2	7.82	12.55	6.17
* CL211-0396-3	50	SDDB-50S	66.93	61.11	52.35	1.2	10.63	15.37	6.17

*: Standard. Nickel-plated versions have (05) added to their standard part numbers.

Long Tail Pin Connectors with Grounding Dimples



CL211-0690-0-05
SDBG-25PF(05)



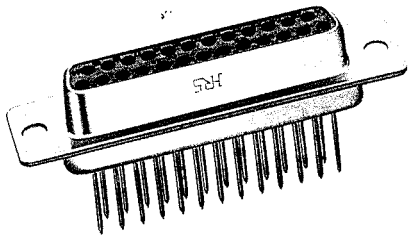
The figure shows a 25-contact model (SDBG-25PF(05))

Unit: mm

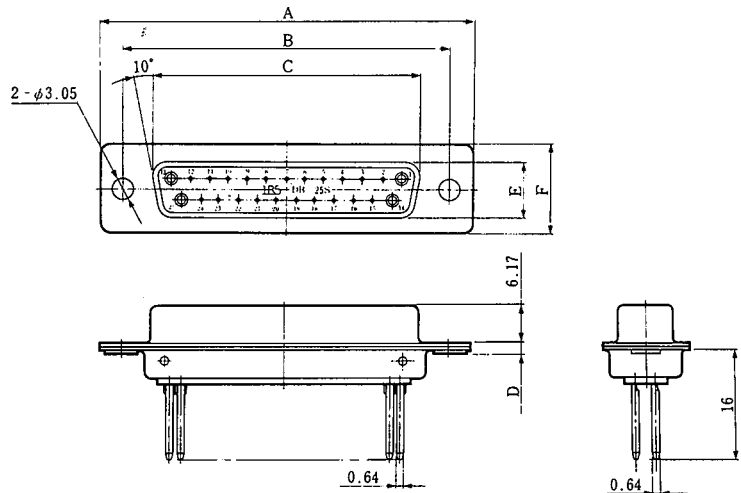
HRS No.	No. of Pin	Part No.	A	B	C	D	E	F	G
CL211-0689-1-05	9	SDEG-9PF(05)	30.81	24.99	16.9	8.34	1.2	5.99	12.55
CL211-0772-3-05	15	SDAG-15PF(05)	39.14	33.32	25.24	8.34	1.2	5.99	12.55
CL211-0690-0-05	25	SDBG-25PF(05)	53.04	47.04	39.01	8.4	1.3	5.87	12.55
CL211-0773-6-05	37	SDCG-37PF(05)	69.32	63.5	55.47	8.4	1.4	5.87	12.55

Note: These connectors are not used for Wrap Type Terminations.

Long Tail Socket Connectors



CL211-0324-2
SDBG-25S



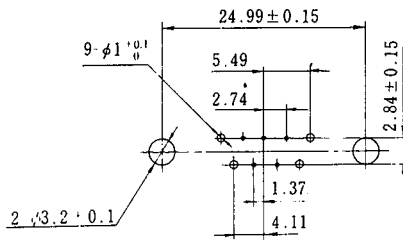
The figure shows a 25-contact model (SDBG-25S)

Unit: mm

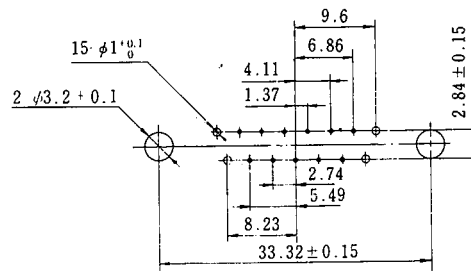
HRS No.	No. of of	Part No.	A	B	C	D	E	F
CL211-0464-1	9	SDEG-9S	30.81	24.99	16.4	1.2	7.82	12.55
CL211-0550-1	15	SDAG-15S	39.14	33.32	24.59			
CL211-0324-2	25	SDBG-25S	53.04	47.04	38.3			
CL211-0771-0	37	SDCG-37S	69.32	63.5	54.76			
CL211-0632-4	50	SDDG-50S	66.93	61.11	52.36		10.63	15.37

Note: These connectors are not used for Wrap Type Terminations.

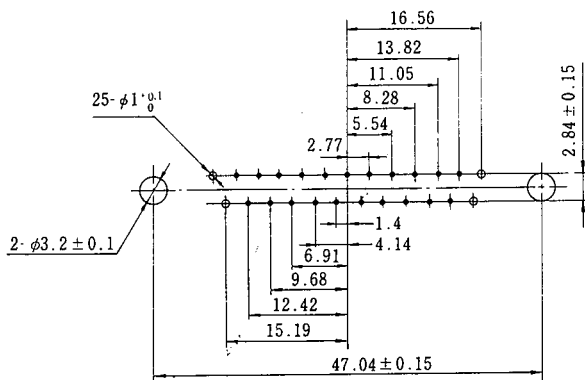
● Recommended Mounting Hole Pattern



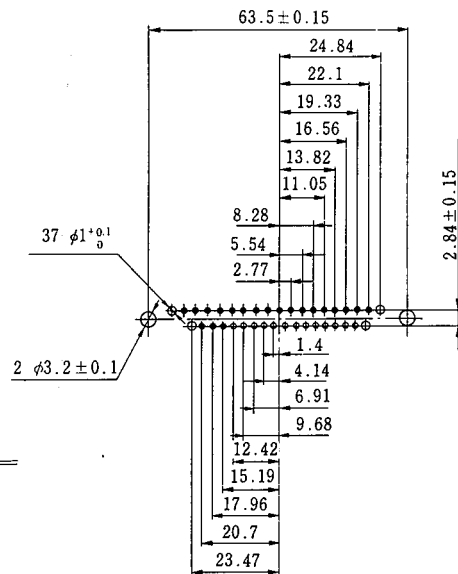
SDEB-9



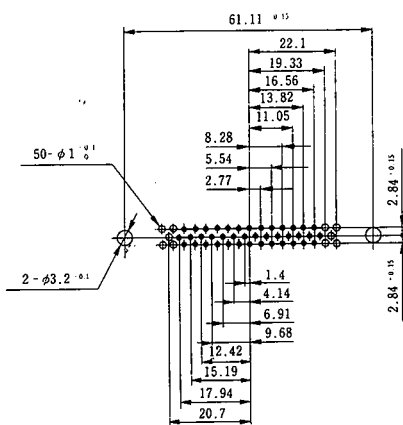
SDAB-15



SDEB-25

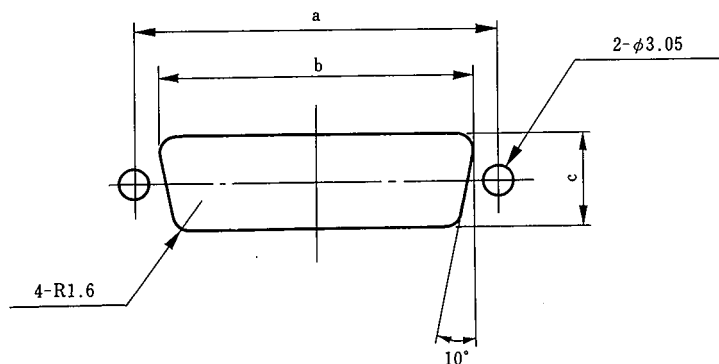


SDCB-37



SDEB-50

● Mounting Cutout



Unit: mm

Shell size	a	b	c
E	24.99	20.2	11.5
A	33.32	28.6	11.5
B	47.04	42.3	11.5
C	63.5	58.7	11.5
D	61.11	56	14.3