

**Dual Band Power Amplifier**



The ISL3990 is a Dual Band monolithic GaAs Power Amplifier designed to operate in both the ISM and U-NII

Bands. It features two low voltage single supply stages which cascaded deliver 21dBm (Typ) output power for ISM, and three stages which deliver 16 dBm (Typ) for U-NII OFDM applications.

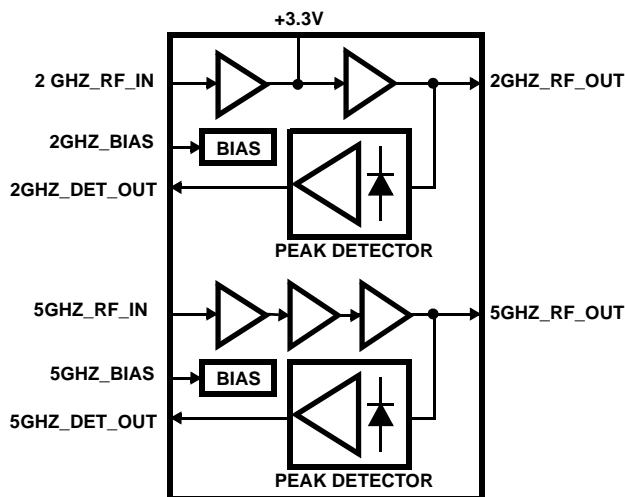
In addition, the device includes a Dual Band detector which is accurate over a 15dB dynamic range within ( $\pm$ )1dB, which can be used to implement an accurate ALC function.

The ISL3990 is housed in a 24 lead QFN package.

**Ordering Information**

PART NUMBER	TEMP RANGE (°C)	PACKAGE	PKG. NO.
ISL3990IR	-40 to 85	24 Ld. QFN	L24.4x4
ISL3990IR-TK	-40 to 85	Tape and Reel (1000 units)	

**Simplified Block Diagram**



**Features**

- Single Supply . . . . . 2.7V to 3.6V
- Output Power . . . . . 21dBm (Typ)
- Power Gain . . . . . 28dB (Typ)
- Detector Linear Input Power Range . . . . . 15dB
- Detector Accuracy . . . . .  $\pm$ 1dB

**QFN Package**

- Compliant to JEDEC PUB95 MO-220 QFN - Quad Flat No Leads - Package Outline
- Near Chip Scale Package footprint, which improves PCB efficiency and has a thinner profile

**Applications**

- Systems Targeting IEEE802.11a/b/g WLANs
- Wireless Local Area Networks (WLAN)
- PCMCIA Wireless Transceivers
- ISM Systems Including Automatic Level Control (ALC)
- TDMA Packet Protocol Radios

**Pinout**

