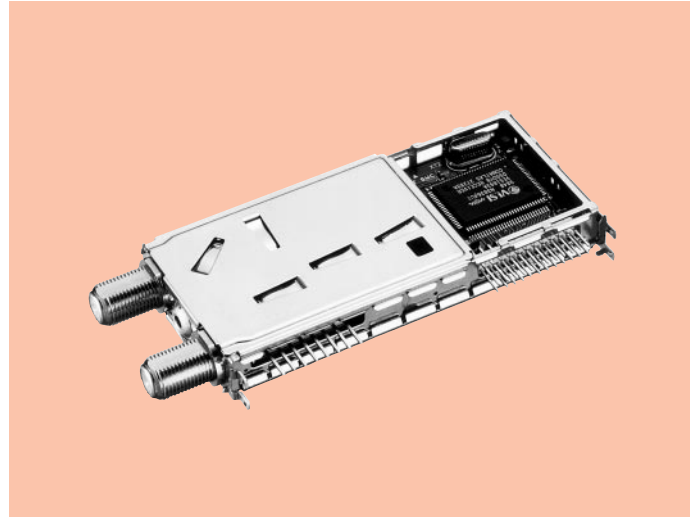


2nd RF Units for Digital Satellite Broadcasting Receiver TSU27 Series

DBS 2nd RF Units, CATV Converters

OUTLINE

The TSU27 series consists of RF units for receiving digital satellite broadcasts, and has built-in QPSK demodulation and FEC circuitry.



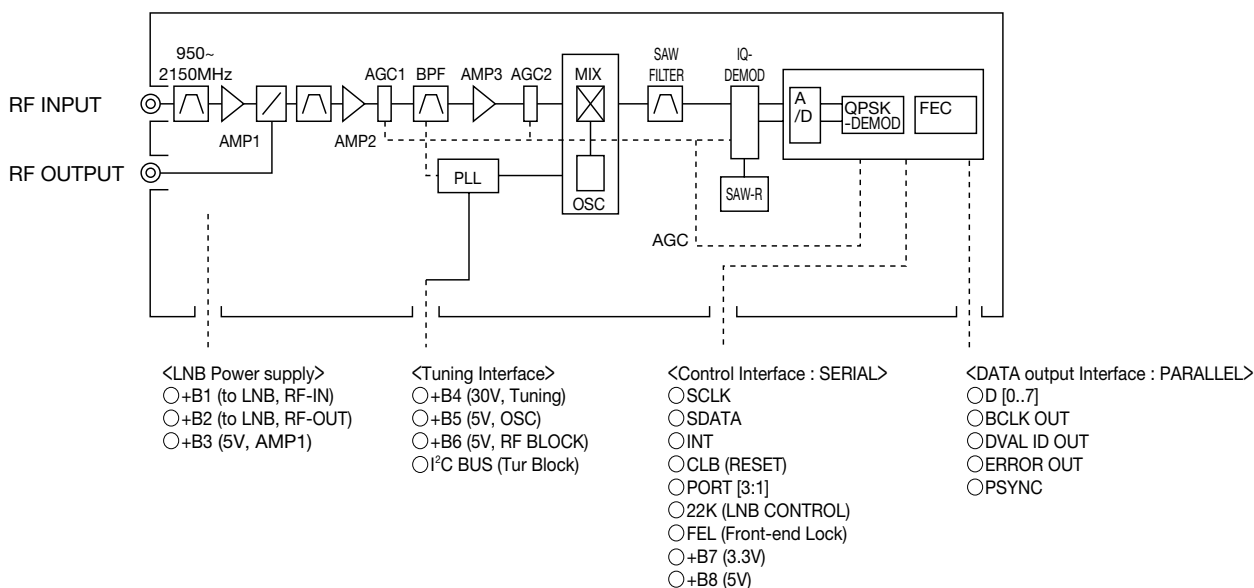
FEATURES

1. Built-in QPSK demodulation and error correction circuit.
2. Supports DVB.
3. Error rate performance closely approaching logic value.
4. Low height (40mm)
5. Symbol Rate : 3~45MS/S (option)
6. Horizontal type (option)
 thinness 12.5mm for PC extension slot.

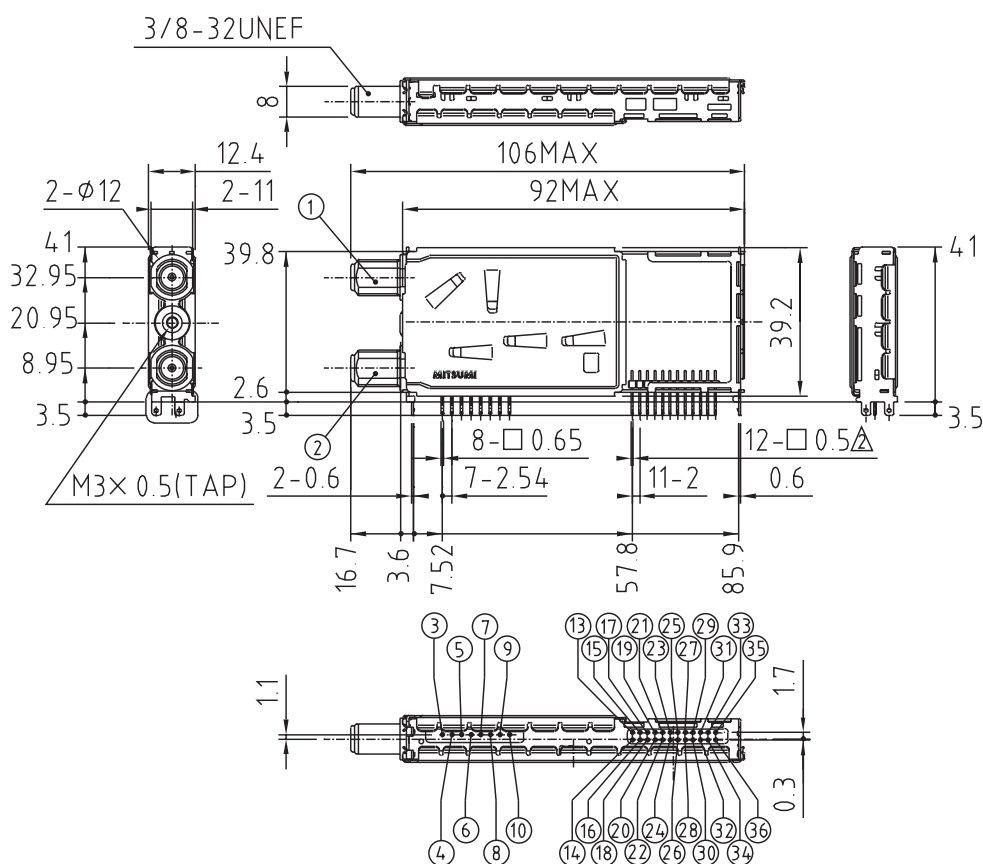
SPECIFICATIONS

Item	Models	TSU27-E03DT	Remarks
Input Frequency		950~2150MHz	
Input Impedance		75Ω	
Input Level		-25~-65dBm	F-female
IF Frequency		479.5MHz	
IF BW		36MHz	
Sybol Rate Range		15~25M sym/s	1~45M sym/s (for SCPC)
Modulation Type		QPSK	
Output Data		8 bit parallel	
FEC Rates		1/2, 2/3, 3/4, 5/6, 7/8	
Controller Bus Interface		I ² C	

BLOCK DIAGRAM



DIMENSIONS



Unit : mm
General Tolerance : ±0.5mm

Terminals	
1.	RF Input
2.	RF Output
3.	+B1 (LNB 15V)
4.	+B2 (LNB OUT)
5.	+B3 (5V)
6.	+B4 (VT)
7.	+B5 (5V)
8.	+B6 (5V)
9.	SCL1
10.	SDA1
11.	---
12.	---
13.	SCL2
14.	SDA2
15.	+B7 (3.3V)
16.	GND
17.	CLB
18.	D7
19.	D6
20.	D5
21.	D4
22.	D3
23.	D2
24.	D1
25.	D0
26.	BCLK
27.	DVALID
28.	ERROR
29.	PSYNC
30.	INT
31.	FEL
32.	22K
33.	PORT3
34.	+B8 (5V)
35.	PORT2
36.	PORT1