



## Features

- Available in E6 series
- Unit height of 1.1 mm
- Current up to 1800 mA
- Lead free
- RoHS compliant\*

## Applications

- Input/output of DC/DC converters
- Power supplies for:
  - Portable communication equipment
  - Camcorders
  - LCD TVs
  - Car radios

# SRU5011 Series - Shielded SMD Power Inductors

## Electrical Specifications

Bourns Part No.	Inductance 100 KHz		Q Ref.	Test Frequency (MHz)	SRF Min. (MHz)	RDC (mΩ)	I rms Max. (A)	I sat Typ. (A)
	(μH)	Tol. %						
SRU5011-1R5Y	1.5	± 30	8	7.96	195.0	32	1.80	1.50
SRU5011-2R5Y	2.5	± 30	8	7.96	125.0	52	1.30	1.10
SRU5011-3R3Y	3.3	± 30	8	7.96	110.0	66	1.15	0.94
SRU5011-4R7Y	4.7	± 30	8	7.96	85.0	95	1.00	0.82
SRU5011-6R8Y	6.8	± 30	8	7.96	70.0	130	0.82	0.68
SRU5011-100Y	10.0	± 30	12	7.96	50.0	170	0.70	0.58
SRU5011-150Y	15.0	± 30	12	2.52	42.0	250	0.60	0.48
SRU5011-220Y	22.0	± 30	14	2.52	38.0	380	0.50	0.40
SRU5011-330Y	33.0	± 30	14	2.52	30.0	550	0.38	0.30
SRU5011-470Y	47.0	± 30	16	2.52	25.0	800	0.32	0.26
SRU5011-680Y	68.0	± 30	14	2.52	20.0	1240	0.26	0.22
SRU5011-101Y	100.0	± 30	30	0.796	15.0	1600	0.20	0.18

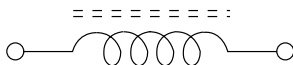
## General Specifications

Test Voltage .....0.1 V  
 Reflow Soldering....230 °C, 50 sec. max.  
 Operating Temperature...-40 °C to +125 °C  
 (Temperature rise included)  
 Storage Temperature...-40 °C to +125 °C  
 Resistance to Soldering Heat  
 .....260 °C for 10 sec.

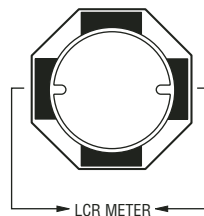
## Materials

Core .....Ferrite DR and RI core  
 Wire .....Enameled copper  
 Base .....LCP E4008  
 Terminal .....Ag/Ni/Sn  
 Rated Current  
 .....Ind. drop 35 % typ. at Isat  
 Temperature Rise  
 .....25 °C max. at rated I rms  
 Packaging.....1500 pcs. per reel

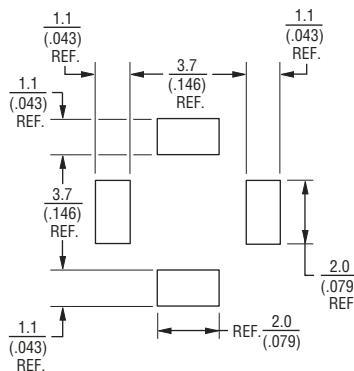
## Electrical Schematic



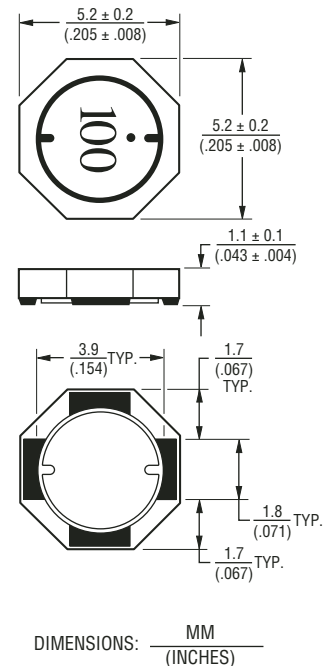
## Inductor Connection



## Recommended Layout



## Product Dimensions

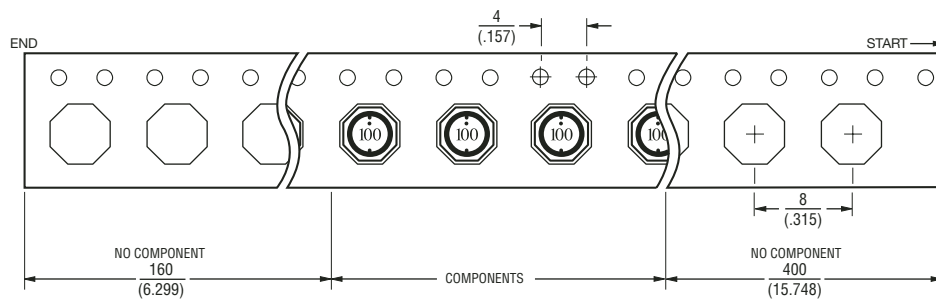
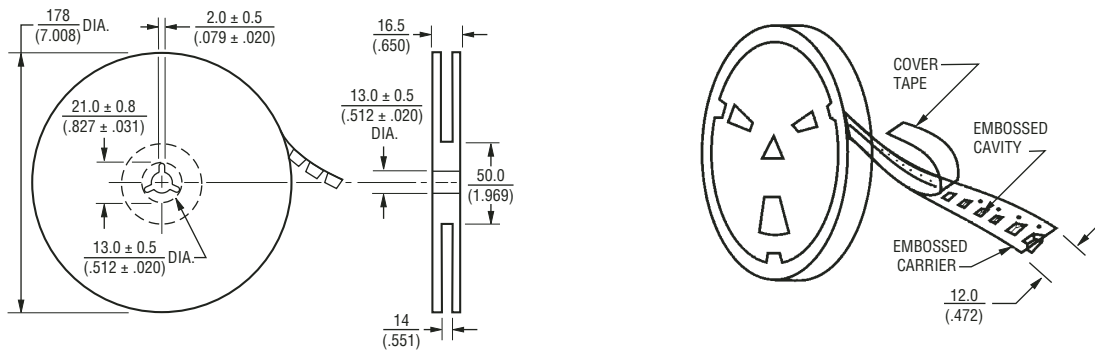


\*RoHS Directive 2002/95/EC Jan 27 2003 including Annex Specifications are subject to change without notice. Customers should verify actual device performance in their specific applications.

# SRU5011 Series - Shielded SMD Power Inductors

**BOURNS®**

## Packaging Specifications



USER DIRECTION OF FEED →

QTY: 1,500 PCS. PER REEL

DIMENSIONS:  $\frac{\text{MM}}{\text{(INCHES)}}$