

## Features

- 3000 Dhrystone 2.1 MIPS at 1.3 GHz
- Selectable Bus Clock (30 CPU Bus Dividers up to 28x)
- 13 Selectable Core-to-L3 Frequency Divisors
- Selectable MPx/60x Interface Voltage (1.8V, 2.5V)
- Selectable L3 Interface of 1.8V or 2.5V
- $P_D$  Typical 12.6W at 1 GHz at  $V_{DD} = 1.3V$ ; 8.3W at 1 GHz at  $V_{DD} = 1.1V$ , Full Operating Conditions
- Nap, Doze and Sleep Modes for Power Saving
- Superscalar (Four Instructions Fetched Per Clock Cycle)
- 4 GB Direct Addressing Range
- Virtual Memory: 4 Hexabytes ( $2^{52}$ )
- 64-bit Data and 32-bit Address Bus Interface
- Integrated L1: 32 KB Instruction and 32 KB Data Cache
- Integrated L2: 512 KB
- 11 Independent Execution Units and Three Register Files
- Write-back and Write-through Operations
- $f_{INT}$  Max = 1 GHz (1.2 GHz to be Confirmed)
- $f_{BUS}$  Max = 133 MHz/166 MHz

## Description

This document is primarily concerned with the PowerPC™ PC7457; however, unless otherwise noted, all information here also applies to the PC7447. The PC7457 and PC7447 are implementations of the PowerPC microprocessor family of reduced instruction set computer (RISC) microprocessors. This document describes pertinent electrical and physical characteristics of the PC7457.

The PC7457 is the fourth implementation of the fourth generation (G4) microprocessors from Motorola. The PC7457 implements the full PowerPC 32-bit architecture and is targeted at networking and computing systems applications. The PC7457 consists of a processor core, a 512 Kbyte L2, and an internal L3 tag and controller which support a glueless backside L3 cache through a dedicated high-bandwidth interface. The PC7447 is identical to the PC7457 except it does not support the L3 cache interface.

The core is a high-performance superscalar design supporting a double-precision floating-point unit and a SIMD multimedia unit. The memory storage subsystem supports the MPX bus interface to main memory and other system resources. The L3 interface supports 1, 2, or 4M bytes of external SRAM for L3 cache and/or private memory data. For systems implementing 4M bytes of SRAM, a maximum of 2M bytes may be used as cache; the remaining 2M bytes must be private memory.

Note that the PC7457 is a footprint-compatible, drop-in replacement in a PC7455 application if the core power supply is 1.3V.



## PowerPC 7457 RISC Microprocessor

PC7457/47

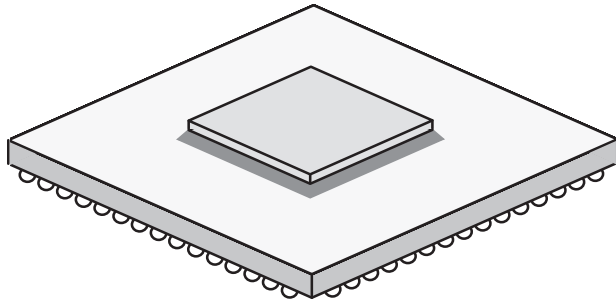
## Preliminary Specification $\alpha$ -site

Rev. 5345B-HIREL-02/04

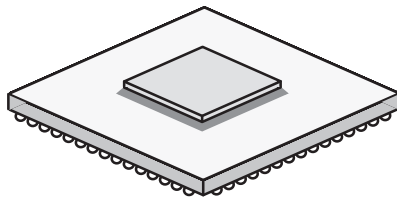


## Screening

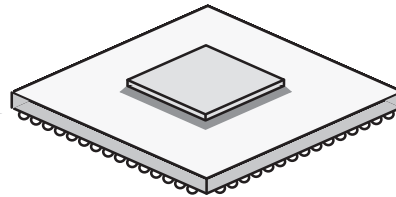
- CBGA Upscreenings Based on Atmel Standards
- Full Military Temperature Range ( $T_j = -55^{\circ}\text{C}, +125^{\circ}\text{C}$ ), Industrial Temperature Range ( $T_j = -40^{\circ}\text{C}, +110^{\circ}\text{C}$ )
- CBGA Package, HiTCE Package for the 7447 TBC



**CBGA 483**



G suffix  
**CBGA 360**  
Ceramic Ball Grid Array

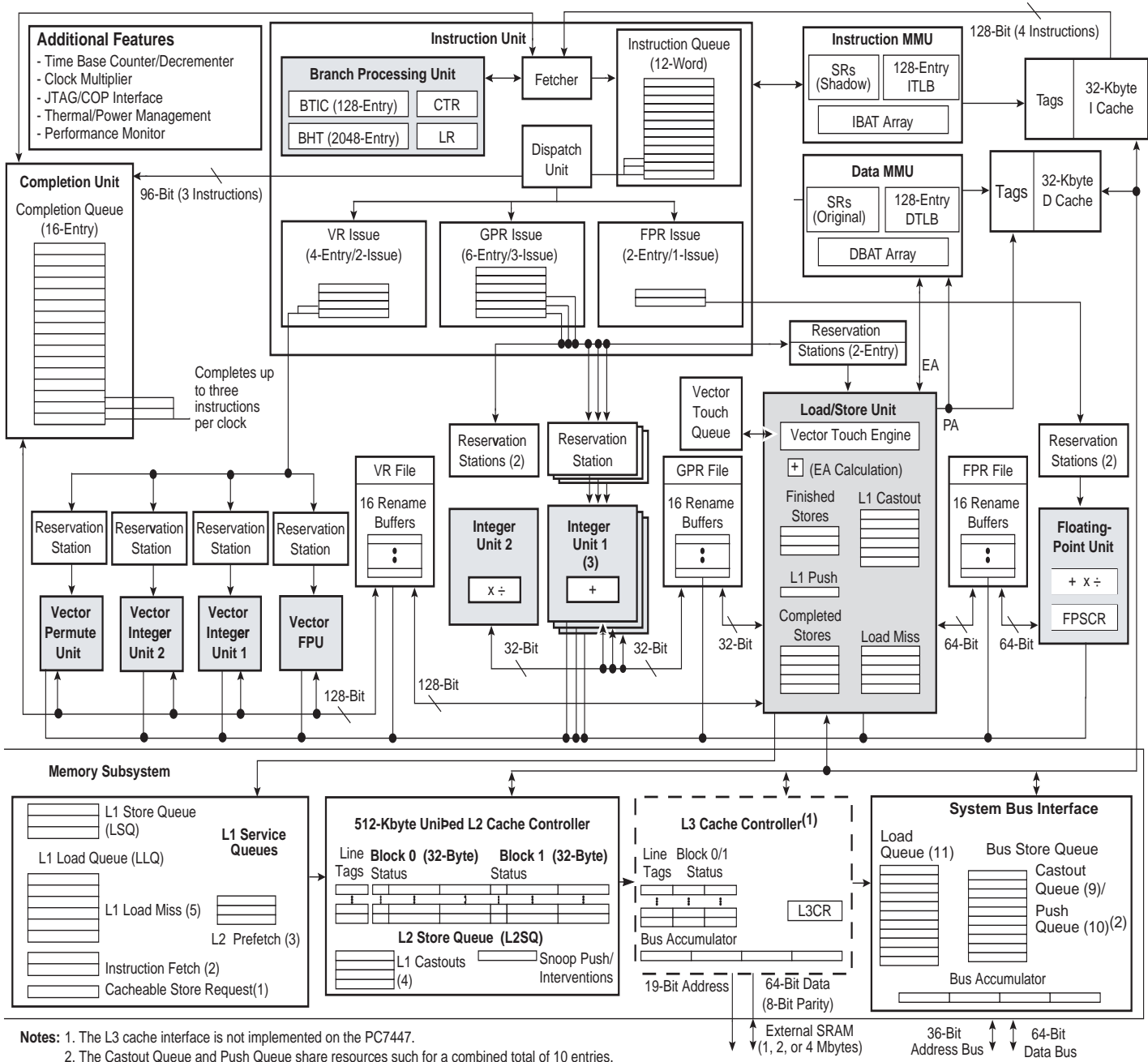


GH suffix  
**HITCE 360**  
Ceramic Ball Grid Array (TBC)



**Block Diagram**

**Figure 1. PC7457 Microprocessor Block Diagram**



**Notes:** 1. The L3 cache interface is not implemented on the PC7447.  
 2. The Castout Queue and Push Queue share resources such for a combined total of 10 entries. The Castout Queue itself is limited to 9 entries, ensuring 1 entry will be available for a push.



## General Parameters

Table 1 provides a summary of the general parameters of the PC7457.

**Table 1.** Device Parameters

Parameter	Description
Technology	0.13 $\mu\text{m}$ CMOS, nine-layer metal
Die size	9.1 mm $\times$ 10.8 mm
Transistor count	58 million
Logic design	Fully-static
Packages	PC7447: surface mount 360 ceramic ball grid array (CBGA) PC7457: surface mount 483 ceramic ball grid array (CBGA)
Core power supply	1.3V $\pm$ 500 mV DC nominal or 1.1V $\pm$ 50 mV (nominal, see Table 3 on page 12)
I/O power supply	1.8V $\pm$ 5% DC, or 2.5V $\pm$ 5% for recommended operating conditions

## Features

This section summarizes features of the PC7457 implementation of the PowerPC architecture. Major features of the PC7457 are as follows:

- High-performance, superscalar microprocessor
  - As many as 4 instructions can be fetched from the instruction cache at a time
  - As many as 3 instructions can be dispatched to the issue queues at a time
  - As many as 12 instructions can be in the instruction queue (IQ)
  - As many as 16 instructions can be at some stage of execution simultaneously
  - Single-cycle execution for most instructions
  - One instruction per clock cycle throughput for most instructions
  - Seven-stage pipeline control
- Eleven independent execution units and three register files
  - Branch processing unit (BPU) features static and dynamic branch prediction

128-entry (32-set, four-way set-associative) branch target instruction cache (BTIC), a cache of branch instructions that have been encountered in branch/loop code sequences. If a target instruction is in the BTIC, it is fetched into the instruction queue a cycle sooner than it can be made available from the instruction cache. Typically, a fetch that hits the BTIC provides the first four instructions in the target stream

2048-entry branch history table (BHT) with two bits per entry for four levels of prediction – not-taken, strongly not-taken, taken, and strongly taken

Up to three outstanding speculative branches

Branch instructions that don't update the count register (CTR) or link register (LR) are often removed from the instruction stream

Eight-entry link register stack to predict the target address of Branch Conditional to Link Register (BCLR) instructions

- Four integer units (IUs) that share 32 GPRs for integer operands
  - Three identical IUs (IU1a, IU1b, and IU1c) can execute all integer instructions except multiply, divide, and move to/from special-purpose register instructions
  - IU2 executes miscellaneous instructions including the CR logical operations, integer multiplication and division instructions, and move to/from special-purpose register instructions
- Five-stage FPU and a 32-entry FPR file
  - Fully IEEE 754-1985-compliant FPU for both single- and double-precision operations
  - Supports non-IEEE mode for time-critical operations
  - Hardware support for denormalized numbers
  - Thirty-two 64-bit FPRs for single- or double-precision operands
- Four vector units and 32-entry vector register file (VRs)
  - Vector permute unit (VPU)
  - Vector integer unit 1 (VIU1) handles short-latency AltiVec™ integer instructions, such as vector add instructions (vaddsbs, vaddshs, and vaddsws, for example)
  - Vector integer unit 2 (VIU2) handles longer-latency AltiVec integer instructions, such as vector multiply add instructions (vmhaddshs, vmhraddshs, and vmladduhm, for example)
  - Vector floating-point unit (VFPU)
- Three-stage load/store unit (LSU)
  - Supports integer, floating-point, and vector instruction load/store traffic
  - Four-entry vector touch queue (VTQ) supports all four architected AltiVec data stream operations
  - Three-cycle GPR and AltiVec load latency (byte, half-word, word, vector) with one-cycle throughput
  - Four-cycle FPR load latency (single, double) with one-cycle throughput
  - No additional delay for misaligned access within double-word boundary
  - Dedicated adder calculates effective addresses (EAs)
  - Supports store gathering



Performs alignment, normalization, and precision conversion for floating-point data

Executes cache control and TLB instructions

Performs alignment, zero padding, and sign extension for integer data

Supports hits under misses (multiple outstanding misses)

Supports both big- and little-endian modes, including misaligned little-endian accesses

- Three issue queues FIQ, VIQ, and GIQ can accept as many as one, two, and three instructions, respectively, in a cycle. Instruction dispatch requires the following:
  - Instructions can be dispatched only from the three lowest IQ entries – IQ0, IQ1, and IQ2
  - A maximum of three instructions can be dispatched to the issue queues per clock cycle
  - Space must be available in the CQ for an instruction to dispatch (this includes instructions that are assigned a space in the CQ but not in an issue queue)
- Rename buffers
  - 16 GPR rename buffers
  - 16 FPR rename buffers
  - 16 VR rename buffers
- Dispatch unit
  - Decode/dispatch stage fully decodes each instruction
- Completion unit
  - The completion unit retires an instruction from the 16-entry completion queue (CQ) when all instructions ahead of it have been completed, the instruction has finished execution, and no exceptions are pending
  - Guarantees sequential programming model (precise exception model)
  - Monitors all dispatched instructions and retires them in order
  - Tracks unresolved branches and flushes instructions after a mispredicted branch
  - Retires as many as three instructions per clock cycle
- Separate on-chip L1 Instruction and data caches (Harvard Architecture)
  - 32 Kbyte, eight-way set-associative instruction and data caches
  - Pseudo least-recently-used (PLRU) replacement algorithm
  - 32-byte (eight-word) L1 cache block
  - Physically indexed/physical tags
  - Cache write-back or write-through operation programmable on a per-page or per-block basis
  - Instruction cache can provide four instructions per clock cycle; data cache can provide four words per clock cycle
  - Caches can be disabled in software
  - Caches can be locked in software

- MESI data cache coherency maintained in hardware
- Separate copy of data cache tags for efficient snooping
- Parity support on cache and tags
- No snooping of instruction cache except for icbi instruction
- Data cache supports AltiVec LRU and transient instructions
- Critical double- and/or quad-word forwarding is performed as needed. Critical quad-word forwarding is used for AltiVec loads and instruction fetches. Other accesses use critical double-word forwarding
- Level 2 (L2) cache interface
  - On-chip, 512 Kbyte, eight-way set-associative unified instruction and data cache
  - Fully pipelined to provide 32 bytes per clock cycle to the L1 caches
  - A total nine-cycle load latency for an L1 data cache miss that hits in L2
  - PLRU replacement algorithm
  - Cache write-back or write-through operation programmable on a per-page or per-block basis
  - 64-byte, two-sectored line size
  - Parity support on cache
- Level 3 (L3) cache interface (not implemented on PC7447)
  - Provides critical double-word forwarding to the requesting unit
  - Internal L3 cache controller and tags
  - External data SRAMs
  - Support for 1, 2, and 4M bytes (MB) total SRAM space
  - Support for 1 or 2 MB of cache space
  - Cache write-back or write-through operation programmable on a per-page or per-block basis
  - 64-byte (1 MB) or 128-byte (2 MB) sectored line size
  - Private memory capability for half (1 MB minimum) or all of the L3 SRAM space for a total of 1-, 2-, or 4-MB of private memory
  - Supports MSUG2 dual data rate (DDR) synchronous Burst SRAMs, PB2 pipelined synchronous Burst SRAMs, and pipelined (register-register) Late Write synchronous Burst SRAMs
  - Supports parity on cache and tags
  - Configurable core-to-L3 frequency divisors
  - 64-bit external L3 data bus sustains 64-bit per L3 clock cycle
- Separate memory management units (MMUs) for Instructions and data
  - 52-bit virtual address; 32- or 36-bit physical address
  - Address translation for 4 Kbyte pages, variable-sized blocks, and 256M bytes segments
  - Memory programmable as write-back/write-through, caching-inhibited/caching-allowed, and memory coherency enforced/memory coherency not enforced on a page or block basis
  - Separate IBATs and DBATs (eight each) also defined as SPRs



- Separate instruction and data translation lookaside buffers (TLBs)

Both TLBs are 128-entry, two-way set-associative, and use LRU replacement algorithm

TLBs are hardware- or software-reloadable (that is, on a TLB miss a page table search is performed in hardware or by system software)

- Efficient data flow
  - Although the VR/LSU interface is 128 bits, the L1/L2/L3 bus interface allows up to 256 bits
  - The L1 data cache is fully pipelined to provide 128 bits/cycle to or from the VRs
  - L2 cache is fully pipelined to provide 256 bits per processor clock cycle to the L1 cache
  - As many as eight outstanding, out-of-order, cache misses are allowed between the L1 data cache and L2/L3 bus
  - As many as 16 out-of-order transactions can be present on the MPX bus
  - Store merging for multiple store misses to the same line. Only coherency action taken (address-only) for store misses merged to all 32 bytes of a cache block (no data tenure needed)
  - Three-entry finished store queue and five-entry completed store queue between the LSU and the L1 data cache
  - Separate additional queues for efficient buffering of outbound data (such as castouts and write-through stores) from the L1 data cache and L2 cache
- Multiprocessing support features include the following:
  - Hardware-enforced, MESI cache coherency protocols for data cache
  - Load/store with reservation instruction pair for atomic memory references, semaphores, and other multiprocessor operations
- Power and thermal management
  - 1.6V processor core
  - The following three power-saving modes are available to the system:

**Nap**—Instruction fetching is halted. Only those clocks for the time base, decrements, and JTAG logic remain running. The part goes into the doze state to snoop memory operations on the bus and then back to nap using the QREQ/QACK processor-system handshake protocol

**Sleep**—Power consumption is further reduced by disabling bus snooping, leaving only the PLL in a locked and running state. All internal functional units are disabled

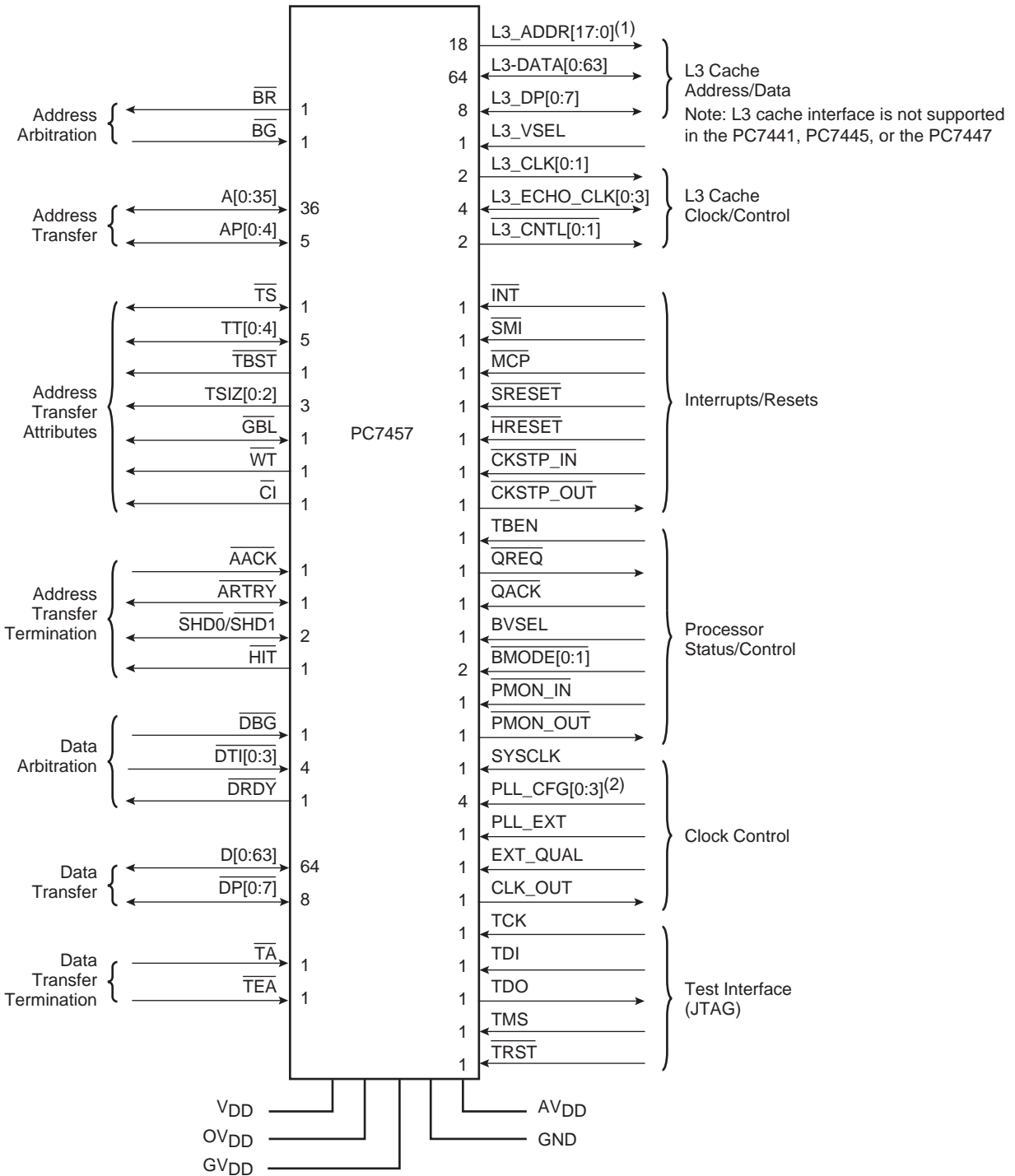
**Deep sleep**— When the part is in the sleep state, the system can disable the PLL. The system can then disable the SYSCLK source for greater system power savings. Power-on reset procedures for restarting and relocking the PLL must be followed on exiting the deep sleep state



- Thermal management facility provides software-controllable thermal management. Thermal management is performed through the use of three supervisor-level registers and a PC7457-specific thermal management exception
- Instruction cache throttling provides control of instruction fetching to limit power consumption
- Performance monitor can be used to help debug system designs and improve software efficiency
- In-system testability and debugging features through JTAG boundary-scan capability
- Testability
  - LSSD scan design
  - IEEE 1149.1 JTAG interface
  - Array built-in self test (ABIST) – factory test only
- Reliability and serviceability
  - Parity checking on system bus and L3 cache bus
  - Parity checking on the L2 and L3 cache tag arrays

# Signal Description

Figure 2. PC7457 Microprocessor Signal Groups



- Notes:
1. For the PC7457, there are 19 L3\_ADDR signals, (L3\_ADDR[0:18]).
  2. For the PC7447 and PM7457, there are 5 PLL\_CFG signals, (PLL\_CFG[0:4]).

## Detailed Specification

### Scope

This specification describes the specific requirements for the microprocessor PC7457 in compliance with Atmel standard screening.

### Applicable Documents

1. MIL-STD-883: Test methods and procedures for electronics
2. MIL-PRF-38535: Appendix A: General specifications for microcircuits

### Requirements

#### General

The microcircuits are in accordance with the applicable documents and as specified herein.

#### Design and Construction

#### Terminal Connections

Depending on the package, the terminal connections are as shown in Table 16, Table 3 and Figure 2.

### Absolute Maximum Ratings

Table 2. Absolute Maximum Ratings<sup>(1)</sup>

Symbol	Characteristic	Maximum Value	Unit	
$V_{DD}^{(2)}$	Core supply voltage	-0.3 to 1.60	V	
$AV_{DD}^{(2)}$	PLL supply voltage	-0.3 to 1.60	V	
$OV_{DD}^{(3)(4)}$	Processor bus supply voltage	BVSEL = 0	-0.3 to 1.95	V
$OV_{DD}^{(3)(5)}$		BVSEL = $\overline{HRESET}$ or $OV_{DD}$	-0.3 to 2.7	V
$GV_{DD}^{(3)(6)}$	L3 bus supply voltage	L3VSEL = $\overline{HRESET}$	-0.3 to 1.65	V
$GV_{DD}^{(3)(7)}$		L3VSEL = 0	-0.3 to 1.95	V
$GV_{DD}^{(3)(8)}$		L3VSEL = $\overline{HRESET}$ or $GV_{DD}$	-0.3 to 2.7	V
$V_{IN}^{(9)(10)}$	Input voltage	Processor bus	-0.3 to $OV_{DD} + 0.3$	V
$V_{IN}^{(9)(10)}$		L3 bus	-0.3 to $GV_{DD} + 0.3$	V
$V_{IN}$		JTAG signals	-0.3 to $OV_{DD} + 0.3$	V
$T_{STG}$	Storage temperature range	-55 to 150	°C	

- Notes:
1. Functional and tested operating conditions are given in Table 3 on page 12. Absolute maximum ratings are stress ratings only, and functional operation at the maximums is not guaranteed. Stresses beyond those listed may affect device reliability or cause permanent damage to the device.
  2. Caution:  $V_{DD}/AV_{DD}$  must not exceed  $OV_{DD}/GV_{DD}$  by more than 1V during normal operation; this limit may be exceeded for a maximum of 20 ms during power-on reset and power-down sequences.
  3. Caution:  $OV_{DD}/GV_{DD}$  must not exceed  $V_{DD}/AV_{DD}$  by more than 2V during normal operation; this limit may be exceeded for a maximum of 20 ms during power-on reset and power-down sequences.
  4. BVSEL must be set to 0, such that the bus is in 1.8V mode.
  5. BVSEL must be set to  $\overline{HRESET}$  or 1, such that the bus is in 2.5V mode.
  6. L3VSEL must be set to  $\overline{HRESET}$  (inverse of  $\overline{HRESET}$ ), such that the bus is in 1.5V mode.

7. L3VSEL must be set to 0, such that the bus is in 1.8V mode.
8. L3VSEL must be set to  $\overline{\text{HRESET}}$  or 1, such that the bus is in 2.5V mode.
9. Caution:  $V_{\text{IN}}$  must not exceed  $\text{OV}_{\text{DD}}$  or  $\text{GV}_{\text{DD}}$  by more than 0.3V at any time including during power-on reset.
10.  $V_{\text{IN}}$  may overshoot/undershoot to a voltage and for a maximum duration as shown in Figure 3.

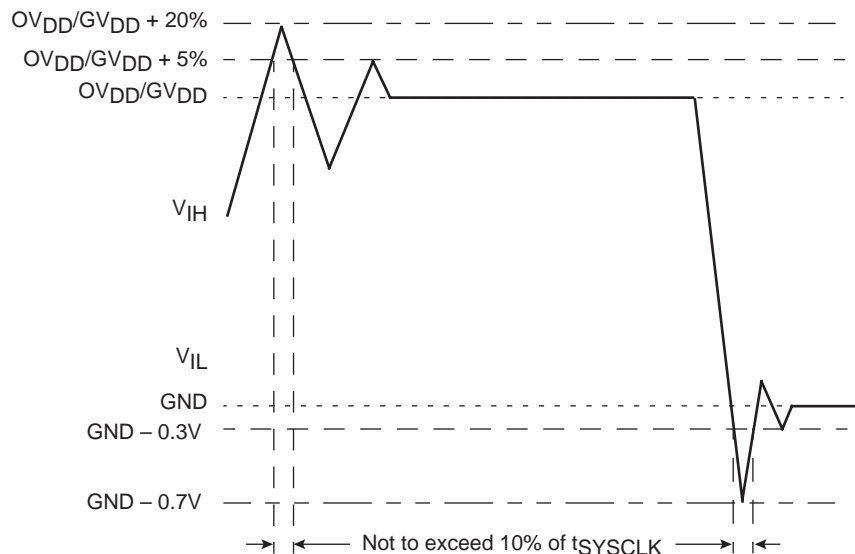
## Recommended Operating Conditions

**Table 3.** Recommended Operating Conditions<sup>(1)</sup>

Symbol	Characteristic	Recommended Value		Unit	
		Min	Max		
$V_{\text{DD}}$	Core supply voltage	1.3V $\pm$ 50 mV or 1.1V $\pm$ 50 mV		V	
$\text{AV}_{\text{DD}}^{(2)}$	PLL supply voltage	1.3V $\pm$ 50 mV or 1.1V $\pm$ 50 mV		V	
$\text{OV}_{\text{DD}}$	Processor bus supply voltage	BVSEL = 0	1.8V $\pm$ 5%	V	
$\text{OV}_{\text{DD}}$		BVSEL = $\overline{\text{HRESET}}$ or $\text{OV}_{\text{DD}}$	2.5V $\pm$ 5%	V	
$\text{GV}_{\text{DD}}$	L3 bus supply voltage	L3VSEL = 0	1.8V $\pm$ 5%	V	
$\text{GV}_{\text{DD}}$		L3VSEL = $\overline{\text{HRESET}}$ or $\text{GV}_{\text{DD}}$	2.5V $\pm$ 5%	V	
$\text{GV}_{\text{DD}}^{(3)}$		L3VSEL = $\overline{\text{HRESET}}$	1.5V $\pm$ 5%	V	
$V_{\text{IN}}$	Input voltage	Processor bus	GND	$\text{OV}_{\text{DD}}$	V
$V_{\text{IN}}$		L3 bus	GND	$\text{GV}_{\text{DD}}$	V
$V_{\text{IN}}$		JTAG signals	GND	$\text{OV}_{\text{DD}}$	V
$T_j$	Die-junction temperature	-55	125	$^{\circ}\text{C}$	

- Notes:
1. These are the recommended and tested operating conditions. Proper device operation outside of these conditions is not guaranteed.
  2. This voltage is the input to the filter discussed in Section “PLL Power Supply Filtering” on page 54 and not necessarily the voltage at the  $\text{AV}_{\text{DD}}$  pin which may be reduced from  $V_{\text{DD}}$  by the filter.
  3.  $\overline{\text{HRESET}}$  is the inverse of  $\text{HRESET}$ .

**Figure 3.** Overshoot/Undershoot Voltage



The PC7457 provides several I/O voltages to support both compatibility with existing systems and migration to future systems. The PC7457 core voltage must always be provided at nominal 1.3V (see Table 3 for actual recommended core voltage). Voltage to the L3 I/Os and processor interface I/Os are provided through separate sets of supply pins and may be provided at the voltages shown in Table 4. The input voltage threshold for each bus is selected by sampling the state of the voltage select pins at the negation of the signal  $\overline{\text{HRESET}}$ . The output voltage will swing from GND to the maximum voltage applied to the  $\text{OV}_{\text{DD}}$  or  $\text{GV}_{\text{DD}}$  power pins.

**Table 4.** Input Threshold Voltage Setting

BVSEL Signal	Processor Bus Input Threshold is Relative to:	L3VSEL Signal <sup>(1)</sup>	L3 Bus Input Threshold is Relative to:	Notes
0	1.8V	0	1.8V	(2)(3)(5)
$\overline{\text{HRESET}}$	Not available	$\overline{\text{HRESET}}$	1.5V	(2)(4)(5)
$\overline{\text{HRESET}}$	2.5V	$\overline{\text{HRESET}}$	2.5V	(2)
1	2.5V	1	2.5V	(2)

- Notes:
1. Not implemented on PC7447.
  2. Caution: The input threshold selection must agree with the  $\text{OV}_{\text{DD}}/\text{GV}_{\text{DD}}$  voltages supplied. See notes in Table 2.
  3. If used, pull-down resistors should be less than 250Ω
  4. Applicable to L3 bus interface only.  $\overline{\text{HRESET}}$  is the inverse of  $\overline{\text{HRESET}}$ .
  5. 1.8V I/O mode and 1.5V I/O mode are not supported in N spec at  $V_{\text{DD}} = 1.1\text{V}$ .

## Thermal Characteristics

### Package Characteristics

**Table 5.** Package Thermal Characteristics<sup>(1)</sup>

Symbol	Characteristic	Value		Unit
		PC7447	PC7457	
$R_{\theta\text{JA}}$ <sup>(2)(3)</sup>	Junction-to-ambient thermal resistance, natural convection	22	20	°C/W
$R_{\theta\text{JMA}}$ <sup>(2)(4)</sup>	Junction-to-ambient thermal resistance, natural convection, four-layer (2s2p) board	14	14	°C/W
$R_{\theta\text{JMA}}$ <sup>(2)(4)</sup>	Junction-to-ambient thermal resistance, 200 ft./min. airflow, single-layer (1s) board	16	15	°C/W
$R_{\theta\text{JMA}}$ <sup>(2)(4)</sup>	Junction-to-ambient thermal resistance, 200 ft./min. airflow, four-layer (2s2p) board	11	11	°C/W
$R_{\theta\text{JB}}$ <sup>(5)</sup>	Junction-to-board thermal resistance	6	6	°C/W
$R_{\theta\text{JC}}$ <sup>(6)</sup>	Junction-to-case thermal resistance	< 0.1	< 0.1	°C/W

- Notes:
1. See “Thermal Management Information” on page 15 for more details about thermal management.
  2. Junction temperature is a function of on-chip power dissipation, package thermal resistance, mounting site (board) temperature, ambient temperature, airflow, power dissipation of other components on the board, and board thermal resistance.
  3. Per SEMI G38-87 and JEDEC JESD51-2 with the single-layer board horizontal.
  4. Per JEDEC JESD51-6 with the board horizontal.
  5. Thermal resistance between the die and the printed-circuit board per JEDEC JESD51-8. Board temperature is measured on the top surface of the board near the package.
  6. Thermal resistance between the die and the case top surface as measured by the cold plate method (MIL SPEC-883 Method 1012.1) with the calculated case temperature. The actual value of  $R_{\theta\text{JC}}$  for the part is less than 0.1°C/W.

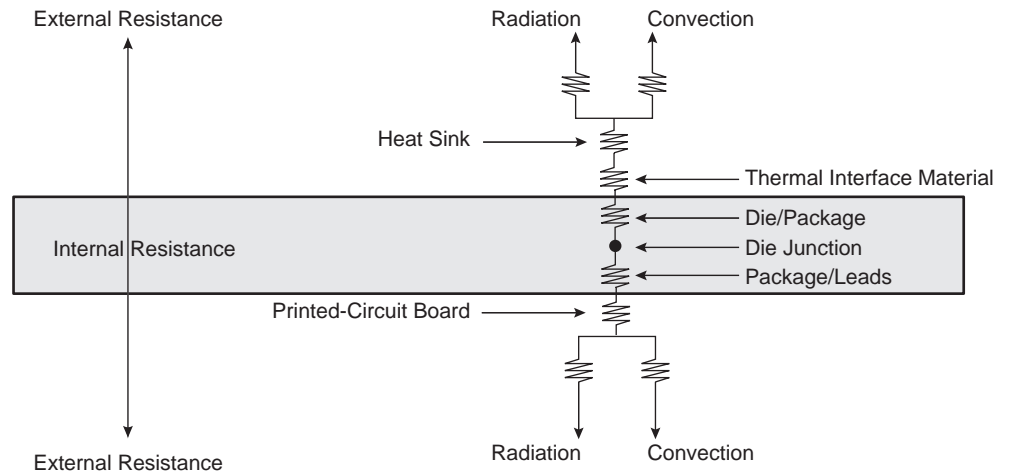
### Internal Package Conduction Resistance

For the exposed-die packaging technology, shown in Table 4 on page 13, the intrinsic conduction thermal resistance paths are as follows:

- The die junction-to-case (actually top-of-die since silicon die is exposed) thermal resistance
- The die junction-to-ball thermal resistance

Figure 33 on page 58 depicts the primary heat transfer path for a package with an attached heat sink mounted to a printed-circuit board.

**Figure 4.** C4 Package with Heat Sink Mounted to a Printed-Circuit Board



Note the internal versus external package resistance.

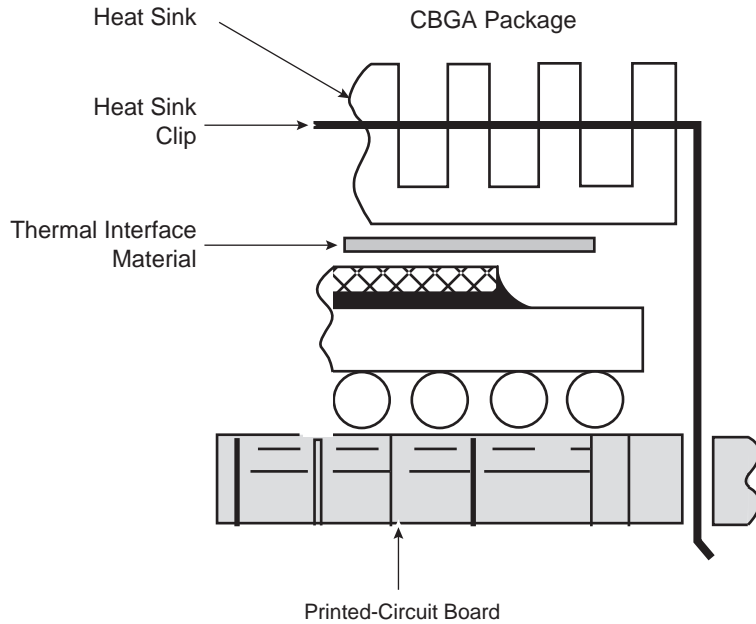
Heat generated on the active side of the chip is conducted through the silicon, then through the heat sink attach material (or thermal interface material), and finally to the heat sink where it is removed by forced-air convection.

Because the silicon thermal resistance is quite small, for a first-order analysis, the temperature drop in the silicon may be neglected. Thus, the thermal interface material and the heat sink conduction/convective thermal resistances are the dominant terms.

**Thermal Management Information**

This section provides thermal management information for the ceramic ball grid array (CBGA) package for air-cooled applications. Proper thermal control design is primarily dependent on the system-level design – the heat sink, airflow, and thermal interface material. To reduce the die-junction temperature, heat sinks may be attached to the package by several methods – spring clip to holes in the printed-circuit board or package, and mounting clip and screw assembly (see Figure 32 on page 55); however, due to the potential large mass of the heat sink, attachment through the printed-circuit board is suggested. If a spring clip is used, the spring force should not exceed 10 pounds.

**Figure 5.** Package Exploded Cross-sectional View with Several Heat Sink Options



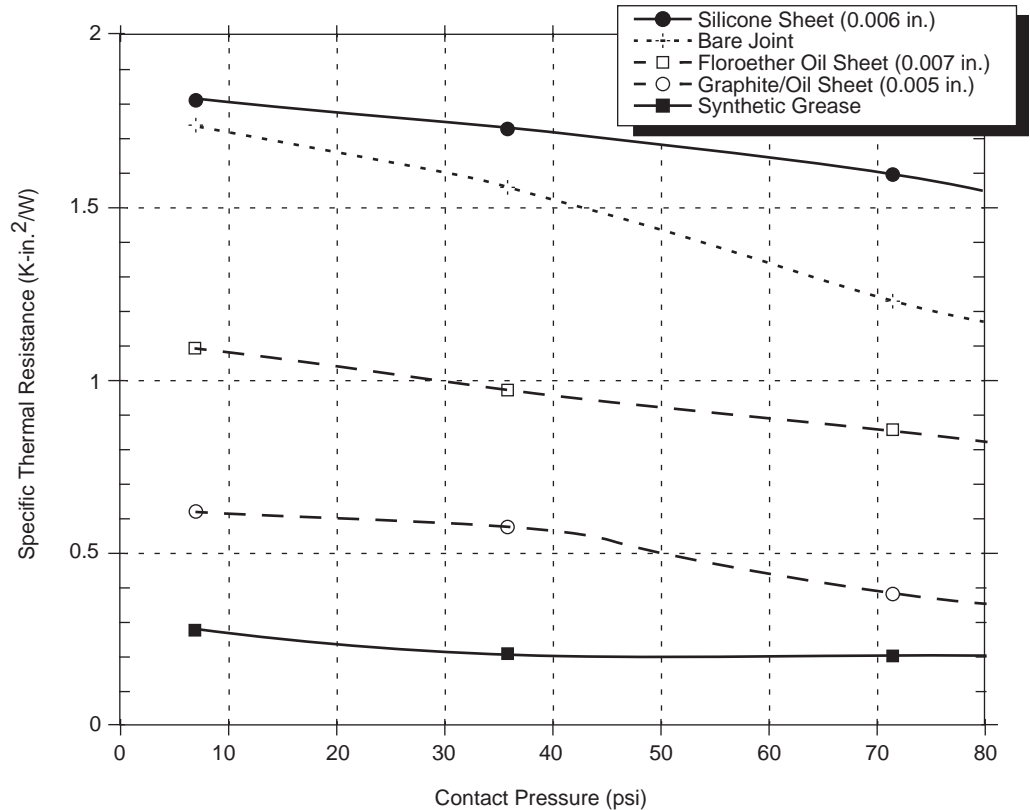
## Thermal Interface Materials

A thermal interface material is recommended at the package lid-to-heat sink interface to minimize the thermal contact resistance. For those applications where the heat sink is attached by spring clip mechanism, Figure 5 shows the thermal performance of three thin-sheet thermal-interface materials (silicone, graphite/oil, fluoroether oil), a bare joint, and a joint with thermal grease as a function of contact pressure.

The use of thermal grease significantly reduces the interface thermal resistance. That is, the bare joint results in a thermal resistance approximately seven times greater than the thermal grease joint.

Often, heat sinks are attached to the package by means of a spring clip to holes in the printed-circuit board (see Figure 32 on page 55). Therefore, the synthetic grease offers the best thermal performance, considering the low interface pressure and is recommended due to the high power dissipation of the PC7457. Of course, the selection of any thermal interface material depends on many factors – thermal performance requirements, manufacturability, service temperature, dielectric properties, cost, etc.

**Figure 6.** Thermal Performance of Select Thermal Interface Material



### Heat Sink Selection Example

For preliminary heat sink sizing, the die-junction temperature can be expressed as follows:

$$T_j = T_1 + T_r + (R_{\theta JC} + R_{\theta int} + R_{\theta sa}) \times P_d$$

where:

$T_j$  is the die-junction temperature

$T_1$  is the inlet cabinet ambient temperature

$T_r$  is the air temperature rise within the computer cabinet



$R_{\theta JC}$  is the junction-to-case thermal resistance

$R_{\theta int}$  is the adhesive or interface material thermal resistance

$R_{\theta sa}$  is the heat sink base-to-ambient thermal resistance

$P_d$  is the power dissipated by the device

During operation, the die-junction temperatures ( $T_j$ ) should be maintained less than the value specified in Table 3 on page 12. The temperature of air cooling the component greatly depends on the ambient inlet air temperature and the air temperature rise within the electronic cabinet. An electronic cabinet inlet-air temperature ( $T_a$ ) may range from 30° to 40°C. The air temperature rise within a cabinet ( $T_r$ ) may be in the range of 5° to 10°C.

The thermal resistance of the thermal interface material ( $R_{\theta int}$ ) is typically about 1.5°C/W. For example, assuming a  $T_a$  of 30°C, a  $T_r$  of 5°C, a CBGA package  $R_{\theta JC} = 0.1$ , and a typical power consumption ( $P_d$ ) of 18.7W, the following expression for  $T_j$  is obtained:

$$\text{Die-junction temperature: } T_j = 30^\circ\text{C} + 5^\circ\text{C} + (0.1^\circ\text{C/W} + 1.5^\circ\text{C/W} + \theta_{sa}) \times 18.7\text{W}$$

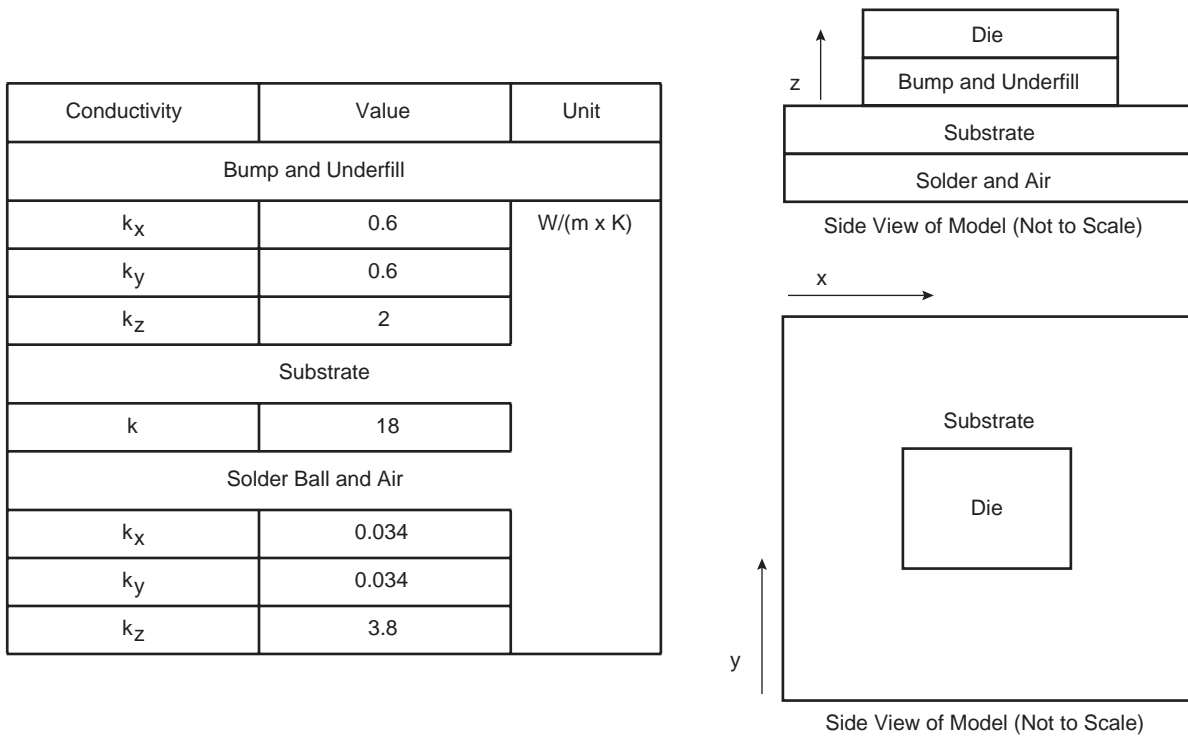
For this example, a  $R_{\theta sa}$  value of 2.1°C/W or less is required to maintain the die junction temperature below the maximum value of Table 3 on page 12.

Though the die junction-to-ambient and the heat sink-to-ambient thermal resistances are a common figure-of-merit used for comparing the thermal performance of various microelectronic packaging technologies, one should exercise caution when only using this metric in determining thermal management because no single parameter can adequately describe three-dimensional heat flow. The final die-junction operating temperature is not only a function of the component-level thermal resistance, but the system-level design and its operating conditions. In addition to the component's power consumption, a number of factors affect the final operating die-junction temperature – airflow, board population (local heat flux of adjacent components), heat sink efficiency, heat sink attach, heat sink placement, next-level interconnect technology, system air temperature rise, altitude, etc.

Due to the complexity and the many variations of system-level boundary conditions for today's microelectronic equipment, the combined effects of the heat transfer mechanisms (radiation, convection, and conduction) may vary widely. For these reasons, we recommend using conjugate heat transfer models for the board, as well as system-level designs.

For system thermal modeling, the PC7447 and PC7457 thermal model is shown in Figure 4 on page 14. Four volumes will be used to represent this device. Two of the volumes, solder ball, and air and substrate, are modeled using the package outline size of the package. The other two, die, and bump and underfill, have the same size as the die. The silicon die should be modeled 9.64 × 11 × 0.74 mm with the heat source applied as a uniform source at the bottom of the volume. The bump and underfill layer is modeled as 9.64 × 11 × 0.69 mm (or as a collapsed volume) with orthotropic material properties: 0.6W/(m × K) in the xy-plane and 2W/(m × K) in the direction of the z-axis. The substrate volume is 25 × 25 × 1.2 mm (PC7447) or 29 × 29 × 1.2 mm (PC7457), and this volume has 18W/(m × K) isotropic conductivity. The solder ball and air layer is modeled with the same horizontal dimensions as the substrate and is 0.9 mm thick. It can also be modeled as a collapsed volume using orthotropic material properties: 0.034W/(m × K) in the xy-plane direction and 3.8W/(m × K) in the direction of the z-axis.

**Figure 7.** Recommended Thermal Model of PC7447 and PC7457



**Power Consumption**

**Table 6.** Power Consumption for PC7457

Full-Power Mode	Processor (CPU) Frequency				Unit
	600 MHz	1000 MHz	1000 MHz	1200 MHz	
<b>Core Power Supply</b>	1.1	1.1	1.3	1.3	
Typical <sup>(1)(2)</sup>	5.3	8.3	15.8	17.5	W
Maximum <sup>(1)(3)</sup>	7.9	11.5	22.0	24.2	W
<b>Nap Mode</b>					
Typical <sup>(1)(2)</sup>	1.3	1.3	5.2	5.2	W
<b>Sleep Mode</b>					
Typical <sup>(1)(2)</sup>	1.2	1.2	5.1	5.1	W
<b>Deep Sleep Mode (PLL Disabled)</b>					
Typical <sup>(1)(2)</sup>	1.1	1.1	5.0	5.0	W

- Notes:
1. These values apply for all valid processor bus and L3 bus ratios. The values do not include I/O supply power ( $OV_{DD}$  and  $GV_{DD}$ ) or PLL supply power ( $AV_{DD}$ ).  $OV_{DD}$  and  $GV_{DD}$  power is system dependent, but is typically < 5% of  $V_{DD}$  power. Worst case power consumption for  $AV_{DD}$  < 3 mW
  2. Typical power is an average value measured at the nominal recommended VDD (see Table 3 on page 12) and 65 C while running the Dhrystone 2.1 benchmark and achieving 2.3 Dhrystone MIPS/MHz.

- Maximum power is the average measured at nominal  $V_{DD}$  and maximum operating junction temperature (see Table 3 on page 12) while running an entirely cache-resident, contrived sequence of instructions which keep all the execution units maximally busy.
- Doze mode is not a user-definable state; it is an intermediate state between full-power and either nap or sleep mode. As a result, power consumption for this mode is not tested.

## Electrical Characteristics

### Static Characteristics

Table 7 provides the DC electrical characteristics for the PC7457.

**Table 7.** DC Electrical Specifications (see Table 3 on page 12 for Recommended Operating Conditions)

Symbol	Characteristic	Nominal Bus Voltage <sup>(1)</sup>	Min	Max	Unit
$V_{IH}^{(2)}$	Input high voltage (all inputs including SYSCLK)	1.5	$GV_{DD} \times 0.65$	$GV_{DD} + 0.3$	V
$V_{IH}$		1.8	$OV_{DD}/GV_{DD} \times 0.65$	$OV_{DD}/GV_{DD} + 0.3$	V
$V_{IH}$		2.5	1.7	$OV_{DD}/GV_{DD} + 0.3$	V
$V_{IL}^{(2)(6)}$	Input low voltage (all inputs including SYSCLK)	1.5	-0.3	$GV_{DD} \times 0.35$	V
$V_{IL}$		1.8	-0.3	$OV_{DD}/GV_{DD} \times 0.35$	V
$V_{IL}$		2.5	-0.3	0.7	V
$I_{IN}^{(2)(3)}$	Input leakage current, $V_{IN} = GV_{DD}/OV_{DD}$	–	–	30	$\mu A$
$I_{TSI}^{(2)(3)(4)}$	High-impedance (off-state) Leakage current, $V_{IN} = GV_{DD}/OV_{DD}$	–	–	30	$\mu A$
$V_{OH}^{(6)}$	Output high voltage, $I_{OH} = -5$ mA	1.5	$OV_{DD}/GV_{DD} - 0.45$	–	V
$V_{OH}$		1.8	$OV_{DD}/GV_{DD} - 0.45$	–	V
$V_{OH}$		2.5	1.8	–	V
$V_{OL}^{(6)}$	Output low voltage, $I_{OL} = 5$ mA	1.5	–	0.45	V
$V_{OL}$		1.8	–	0.45	V
$V_{OL}$		2.5	–	0.6	V
$C_{IN}$	Capacitance, $V_{IN} = 0V$ , $f = 1$ MHz	L3 interface <sup>(5)</sup>	–	9.5	pF
		All other inputs <sup>(5)</sup>	–	8.0	pF

- Notes:
- Nominal voltages; see Table 3 on page 12 for recommended operating conditions.
  - For processor bus signals, the reference is  $OV_{DD}$  while  $GV_{DD}$  is the reference for the L3 bus signals.
  - Excludes test signals and IEEE 1149.1 boundary scan (JTAG) signals.
  - The leakage is measured for nominal  $OV_{DD}/GV_{DD}$  and  $V_{DD}$ , or both  $OV_{DD}/GV_{DD}$  and  $V_{DD}$  must vary in the same direction (for example, both  $OV_{DD}$  and  $V_{DD}$  vary by either +5% or -5%).
  - Capacitance is periodically sampled rather than 100% tested.
  - Applicable to L3 bus interface only

## Dynamic Characteristics

This section provides the AC electrical characteristics for the PC7457. After fabrication, functional parts are sorted by maximum processor core frequency as shown in section “Clock AC Specifications” and tested for conformance to the AC specifications for that frequency. The processor core frequency is determined by the bus (SYSCLK) frequency and the settings of the PLL\_CFG[0:4] signals. Parts are sold by maximum processor core frequency; See “Ordering Information” on page 59.

## Clock AC Specifications

Table 8 provides the clock AC timing specifications as defined in Figure 8 and represents the tested operating frequencies of the devices. The maximum system bus frequency,  $f_{\text{SYSCLK}}$ , given in Table 8 is considered a practical maximum in a typical single-processor system. The actual maximum SYSCLK frequency for any application of the PC7457 will be a function of the AC timings of the PC7457, the AC timings for the system controller, bus loading, printed-circuit board topology, trace lengths, and so forth, and may be less than the value given in Table 8.

**Table 8.** Clock AC Timing Specifications (See Table 3 on page 12 for Recommended Operating Conditions)

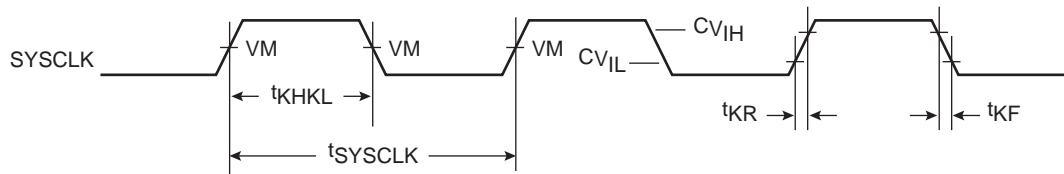
Symbol	Characteristic	Maximum Processor Core Frequency						Unit
		600 MHz		867 MHz		1000 MHz		
		$V_{\text{DD}} = 1.1\text{V}$		$V_{\text{DD}} = 1.1\text{V}$		$V_{\text{DD}} = 1.1\text{V}$		
		Min	Max	Min	Max	Min	Max	
$f_{\text{CORE}}^{(1)}$	Processor frequency	500	600	500	867	500	1000	MHz
$f_{\text{VCO}}^{(1)}$	VCO frequency	1000	1200	1000	1733	1000	2000	MHz
$f_{\text{SYSCLK}}^{(1)(2)}$	SYSCLK frequency	33	167	33	167	33	167	MHz
$t_{\text{SYSCLK}}^{(2)}$	SYSCLK cycle time	6	30	6	30	6	30	ns
$t_{\text{KR}}, t_{\text{KF}}^{(3)}$	SYSCLK rise and fall time	–	1	–	1	–	1	ns
$t_{\text{KHKL}}/t_{\text{SYSCLK}}^{(4)}$	SYSCLK duty cycle measured at $OV_{\text{DD}}/2$	40	60	40	60	–	–	%
	SYSCLK jitter <sup>(5)(6)</sup>	–	±150	–	±150	–	–	ps
	Internal PLL relock time <sup>(7)</sup>	–	100	–	100	–	–	µs

Symbol	Characteristic	Maximum Processor Core Frequency								Unit
		867 MHz		1000 MHz		1200 MHz		1267 MHz		
		$V_{\text{DD}} = 1.3\text{V}$		$V_{\text{DD}} = 1.3\text{V}$		$V_{\text{DD}} = 1.3\text{V}$		$V_{\text{DD}} = 1.3\text{V}$		
		Min	Max	Min	Max	Min	Max	Min	Max	
$f_{\text{CORE}}^{(1)}$	Processor frequency	600	867	600	1000	600	1200	600	1267	MHz
$f_{\text{VCO}}^{(1)}$	VCO frequency	1200	1733	1200	2000	1200	2400	1200	2534	MHz
$f_{\text{SYSCLK}}^{(1)(2)}$	SYSCLK frequency	33	167	33	167	33	167	33	167	MHz
$t_{\text{SYSCLK}}^{(2)}$	SYSCLK cycle time	6	30	6	30	6	30	6	30	ns
$t_{\text{KR}}, t_{\text{KF}}^{(3)}$	SYSCLK rise and fall time	–	1	–	1	–	1	–	1	ns
$t_{\text{KHKL}}/t_{\text{SYSCLK}}^{(4)}$	SYSCLK duty cycle measured at $OV_{\text{DD}}/2$	40	60	40	60	40	60	40	60	%
	SYSCLK jitter <sup>(5)(6)</sup>	–	±150	–	±150	–	±150	–	±150	ps
	Internal PLL relock time <sup>(7)</sup>	–	100	–	100	–	100	–	100	µs

- Notes:
1. Caution: The SYSCLK frequency and PLL\_CFG[0:4] settings must be chosen such that the resulting SYSCLK (bus) frequency, CPU (core) frequency and PLL (VCO) frequency don't exceed their respective maximum or minimum operating frequencies. Refer to the PLL\_CFG[0:4] signal description in "PLL Configuration" on page 51 for valid PLL\_CFG[0:4] settings
  2. Assumes lightly-loaded, single-processor system.
  3. Rise and fall times for the SYSCLK input measured from 0.4V to 1.4V.
  4. Timing is guaranteed by design and characterization.
  5. This represents total input jitter, short-term and long-term combined, and is guaranteed by design.
  6. The SYSCLK driver's closed loop jitter bandwidth should be <500 kHz at -20 dB. The bandwidth must be set low to allow cascade connected PLL-based devices to track SYSCLK drivers with the specified jitter.
  7. Relock timing is guaranteed by design and characterization. PLL-relock time is the maximum amount of time required for PLL lock after a stable  $V_{DD}$  and SYSCLK are reached during the power-on reset sequence. This specification also applies when the PLL has been disabled and subsequently re-enabled during sleep mode. Also note that  $\overline{HRESET}$  must be held asserted for a minimum of 255 bus clocks after the PLL-relock time during the power-on reset sequence.

Figure 8 provides the SYSCLK input timing diagram.

**Figure 8.** SYSCLK Input Timing Diagram



VM = Midpoint Voltage ( $OV_{DD}/2$ )

## Processor Bus AC Specifications

Table 9 provides the processor bus AC timing specifications for the PC7457 as defined in Figure 17 on page 34 and Figure 9 on page 23. Timing specifications for the L3 bus are provided in section “L3 Clock AC Specifications” on page 24.

**Table 9.** Processor Bus AC Timing Specifications<sup>(1)</sup> (at Recommended Operating Conditions, see Table 3 on page 12.)

Symbol <sup>(2)</sup>	Parameter	All Speed Grades			Unit
		V <sub>DD</sub> = 1.1V	Min V <sub>DD</sub> = 1.3V	Max	
t <sub>AVKH</sub> t <sub>DVKH</sub> t <sub>IVKH</sub>	Input setup times: A[0:35], AP[0:4] D[0:63], DP[0:7] AACK, ARTRY, BG, CKSTP_IN, DBG, DTI[0:3], GBL, TT[0:3], QACK, TA, TBEN, TEA, TS, EXT_QUAL, PMON_IN, SHD[0:1], BMODE[0:1], BMODE[0:1], BVSEL, L3VSEL	2.0 2.0 2.0	1.8 1.8 1.8	– – –	ns
t <sub>MVKH</sub> <sup>(8)</sup>		2	1.8	–	
t <sub>AXKH</sub> t <sub>DXKH</sub> t <sub>IXKH</sub>	Input hold times: A[0:35], AP[0:4] D[0:63], DP[0:7] AACK, ARTRY, BG, CKSTP_IN, DBG, DTI[0:3], GBL, TT[0:3], QACK, TA, TBEN, TEA, TS, EXT_QUAL, PMON_IN, SHD[0:1] BMODE[0:1], BMODE[0:1], BVSEL, L3VSEL	0 0 0	0 0 0	– – –	ns
t <sub>MXKH</sub> <sup>(8)</sup>		0	0	–	
t <sub>KHAV</sub> t <sub>KHDV</sub> t <sub>KHOV</sub>	Output valid times: A[0:35], AP[0:4] D[0:63], DP[0:7] AACK, ARTRY, BR, CI, CKSTP_IN, DRDY, DTI[0:3], GBL, HIT, PMON_OUT, QREQ, TBST, TSIZ[0:2], TT[0:3], TS, SHD[0:1], WT	– – –	– – –	2 2 2	ns
t <sub>KHAX</sub> t <sub>KHDX</sub> t <sub>KHOX</sub>	Output hold times: A[0:35], AP[0:4] D[0:63], DP[0:7] AACK, ARTRY, BR, CI, CKSTP_IN, DRDY, DTI[0:3], GBL, HIT, PMON_OUT, QREQ, TBST, TSIZ[0:2], TT[0:3], TS, SHD[0:1], WT	0.5 0.5 0.5	0.5 0.5 0.5	– – –	ns
t <sub>KHOE</sub>	SYSClk to output enable	0.5	0.5	–	ns
t <sub>KHOZ</sub>	SYSClk to output high impedance (all except TS, ARTRY, SHD0, SHD1)	–	–	3.5	ns
t <sub>KHTSPZ</sub> <sup>(3)(4)(5)</sup>	SYSClk to $\overline{TS}$ high impedance after precharge	–	–	1	t <sub>SYSClk</sub>
t <sub>KHARP</sub> <sup>(3)(5)(6)(7)</sup>	Maximum delay to $\overline{ARTRY}/\overline{SHD0}/\overline{SHD1}$ precharge	–	–	1	t <sub>SYSClk</sub>
t <sub>KHARPZ</sub> <sup>(3)(5)(6)(7)</sup>	SYSClk to $\overline{ARTRY}/\overline{SHD0}/\overline{SHD1}$ high impedance after precharge	–	–	2	t <sub>SYSClk</sub>

Notes: 1. All input specifications are measured from the midpoint of the signal in question to the midpoint of the rising edge of the input SYSClk. All output specifications are measured from the midpoint of the rising edge of SYSClk to the midpoint of the signal in question. All output timings assume a purely resistive 50Ω load (see Figure 17 on page 34). Input and output timings are measured at the pin; time-of-flight delays must be added for trace lengths, vias, and connectors in the system.

2. The symbology used for timing specifications herein follows the pattern of  $t_{(\text{signal})(\text{state})(\text{reference})(\text{state})}$  for inputs and  $t_{(\text{reference})(\text{state})(\text{signal})(\text{state})}$  for outputs. For example,  $t_{\text{VVKH}}$  symbolizes the time input signals (I) reach the valid state (V) relative to the SYSCLK reference (K) going to the high (H) state or input setup time. And  $t_{\text{KHOV}}$  symbolizes the time from SYSCLK (K) going high (H) until outputs (O) are valid (V) or output valid time. Input hold time can be read as the time that the input signal (I) went invalid (X) with respect to the rising clock edge (KH) (note the position of the reference and its state for inputs) and output hold time can be read as the time from the rising edge (KH) until the output went invalid (OX).
3.  $t_{\text{SYSCLK}}$  is the period of the external clock (SYSCLK) in ns. The numbers given in the table must be multiplied by the period of SYSCLK to compute the actual time duration (in ns) of the parameter in question.
4. According to the bus protocol,  $\overline{\text{TS}}$  is driven only by the currently active bus master. It is asserted low then precharged high before returning to high impedance as shown in Figure 10 on page 24. The nominal precharge width for  $\overline{\text{TS}}$  is  $0.5 \times t_{\text{SYSCLK}}$ , that is, less than the minimum  $t_{\text{SYSCLK}}$  period, to ensure that another master asserting  $\overline{\text{TS}}$  on the following clock will not contend with the precharge. Output valid and output hold timing is tested for the signal asserted. Output valid time is tested for precharge. The high-impedance behavior is guaranteed by design.
5. Guaranteed by design and not tested.
6. According to the bus protocol,  $\overline{\text{ARTRY}}$  can be driven by multiple bus masters through the clock period immediately following  $\overline{\text{AACK}}$ . Bus contention is not an issue because any master asserting  $\overline{\text{ARTRY}}$  will be driving it low. Any master asserting it low in the first clock following  $\overline{\text{AACK}}$  will then go to high impedance for one clock before precharging it high during the second cycle after the assertion of  $\overline{\text{AACK}}$ . The nominal precharge width for  $\overline{\text{ARTRY}}$  is  $1.0 t_{\text{SYSCLK}}$ ; that is, it should be high impedance as shown in Figure 10 on page 24 before the first opportunity for another master to assert  $\overline{\text{ARTRY}}$ . Output valid and output hold timing is tested for the signal asserted. The high-impedance behavior is guaranteed by design.
7. According to the MPX bus protocol,  $\overline{\text{SHD0}}$  and  $\overline{\text{SHD1}}$  can be driven by multiple bus masters beginning the cycle of  $\overline{\text{TS}}$ . Timing is the same as  $\overline{\text{ARTRY}}$ , that is, the signal is high impedance for a fraction of a cycle, then negated for up to an entire cycle (crossing a bus cycle boundary) before being three-stated again. The nominal precharge width for  $\overline{\text{SHD0}}$  and  $\overline{\text{SHD1}}$  is  $1.0 t_{\text{SYSCLK}}$ . The edges of the precharge vary depending on the programmed ratio of core to bus (PLL configurations).
8.  $\overline{\text{BMODE}}[0:1]$  and  $\overline{\text{BVSEL}}$  are mode select inputs and are sampled before and after  $\overline{\text{HRESET}}$  negation. These parameters represent the input setup and hold times for each sample. These values are guaranteed by design and not tested. These inputs must remain stable after the second sample. See Figure 9 on page 23 for sample timing.

Figure 9. Mode Input Timing Diagram

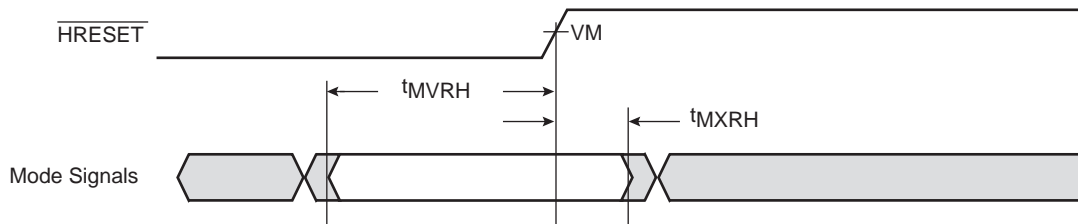
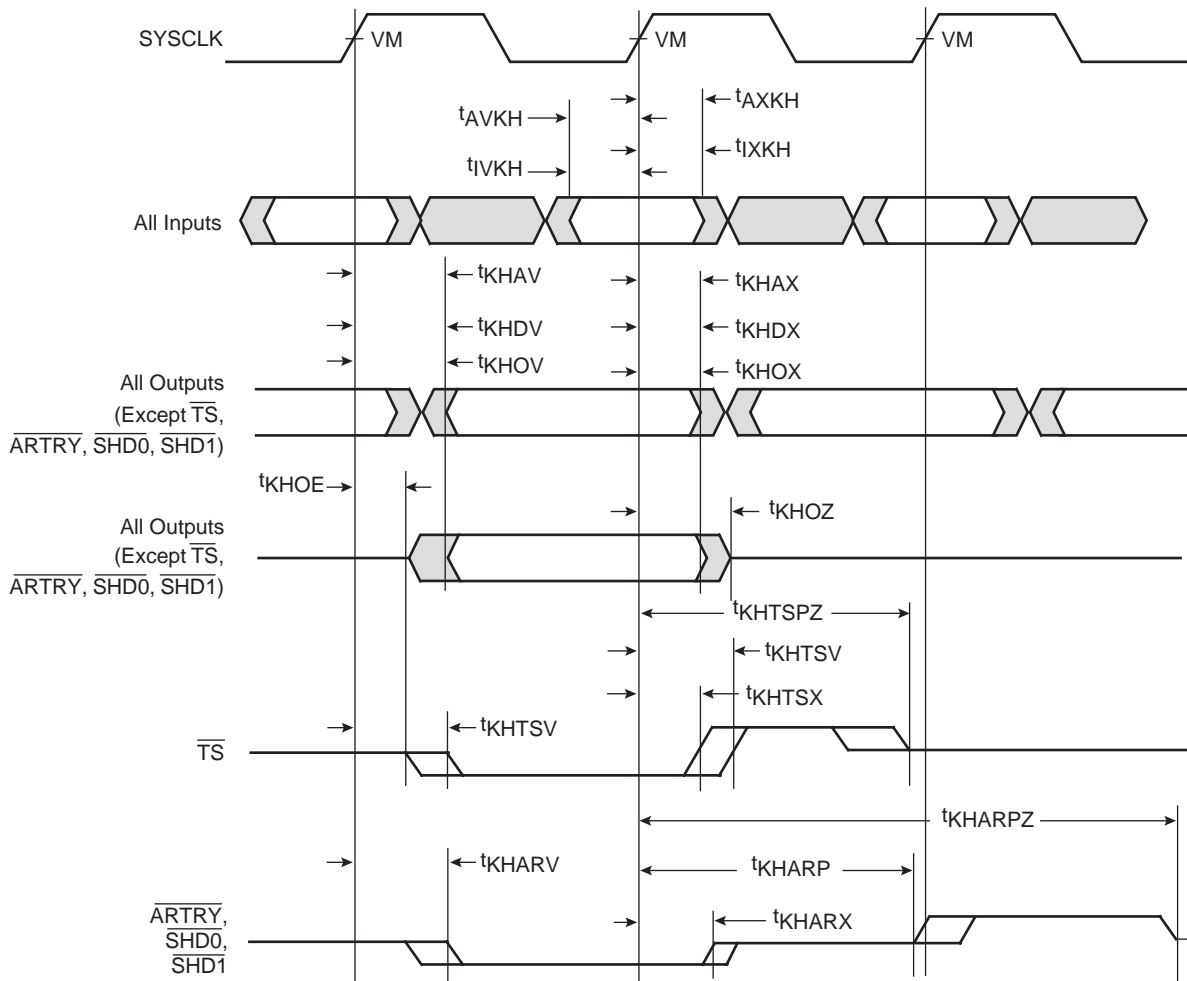


Figure 10 provides the input/output timing diagram for the PC7457.

**Figure 10.** Input/Output Timing Diagram



Note: VM = Midpoint Voltage ( $OV_{DD}/2$ )

### L3 Clock AC Specifications

The L3\_CLK frequency is programmed by the L3 configuration register core-to-L3 divisor ratio. See Table 18 on page 51 for example core and L3 frequencies at various divisors. Table 10 on page 25 provides the potential range of L3\_CLK output AC timing specifications as defined in Figure 11 on page 25.

The maximum L3\_CLK frequency is the core frequency divided by two. Given the high core frequencies available in the PC7457, however, most SRAM designs will be not be able to operate in this mode using current technology and, as a result, will select a greater core-to-L3 divisor to provide a longer L3\_CLK period for read and write access to the L3 SRAMs. Therefore, the typical L3\_CLK frequency shown in Table 10 is considered to be the practical maximum in a typical system. The maximum L3\_CLK frequency for any application of the PC7457 will be a function of the AC timings of the PC7457, the AC timings for the SRAM, bus loading, and printed-circuit board trace length, and may be greater or less than the value given in Table 10. Note that SYSCLK input jitter and L3\_CLK[0:1] output jitter are already comprehended in the L3 bus AC timing specifications and do not need to be separately accounted for in an L3 AC timing analysis. Clock skews, where applicable, do need to be accounted for in an AC timing analysis.



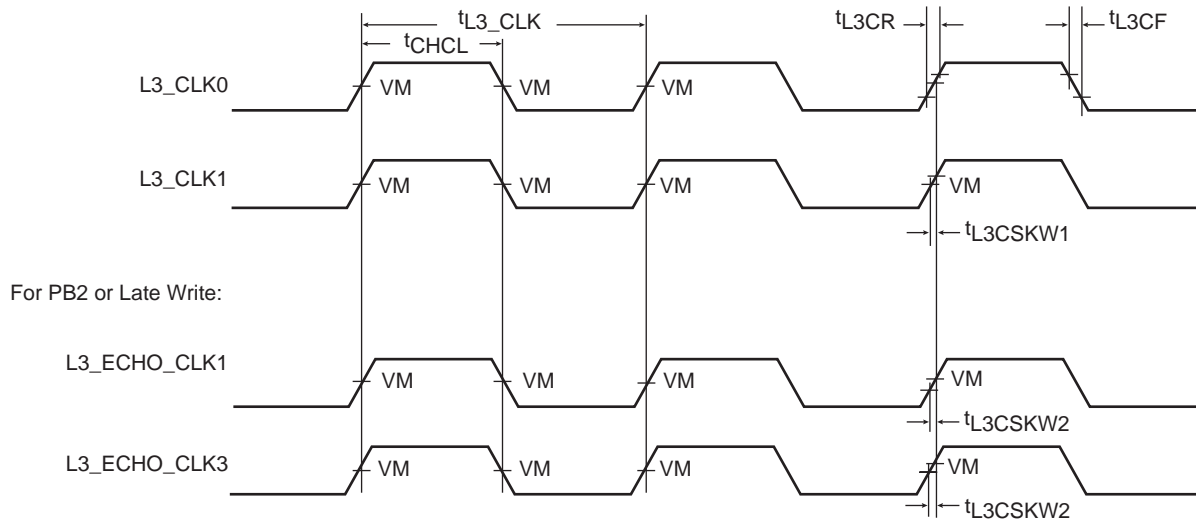
Motorola is similarly limited by system constraints and cannot perform tests of the L3 interface on a socketed part on a functional tester at the maximum frequencies of Table 10. Therefore, functional operation and AC timing information are tested at core-to-L3 divisors which result in L3 frequencies at 250 MHz or lower.

**Table 10.** L3\_CLK Output AC Timing Specifications at Recommended Operating Conditions (see Table 3 on page 12)

Symbol	Parameter	All Speed Grades			Unit
		Min	Typical	Max	
$f_{L3\_CLK}^{(1)}$	L3 clock frequency	–	200	–	MHz
$t_{L3\_CLK}^{(1)}$	L3 clock cycle time	–	5	–	ns
$t_{CHCL}/t_{L3\_CLK}^{(2)}$	L3 clock duty cycle	–	50	–	%
$t_{L3CSKW1}^{(3)}$	L3 clock output-to-output skew (L3_CLK0 to L3_CLK1)	–	–	100	ps
$t_{L3CSKW2}^{(4)}$	L3 clock output-to-output skew (L3_CLK[0:1] to L3_ECHO_CLK[1:3])	–	–	100	ps
	L3 clock jitter <sup>(5)</sup>	–	–	±75	ps

- Notes:
1. The maximum L3 clock frequency (and minimum L3 clock period) will be system dependent. See “L3 Clock AC Specifications” on page 24 for an explanation that this maximum frequency is not functionally tested at speed by Motorola. The minimum L3 clock frequency and period are  $f_{SYSCLK}$  and  $t_{SYSCLK}$ , respectively.
  2. The nominal duty cycle of the L3 output clocks is 50% measured at midpoint voltage.
  3. Maximum possible skew between L3\_CLK0 and L3\_CLK1. This parameter is critical to the address and control signals which are common to both SRAM chips in the L3.
  4. Maximum possible skew between L3\_CLK0 and L3\_ECHO\_CLK1 or between L3\_CLK1 and L3\_ECHO\_CLK3 for PB2 or Late Write SRAM. This parameter is critical to the read data signals because the processor uses the feedback loop to latch data driven from the SRAM, each of which drives data based on L3\_CLK0 or L3\_CLK1.
  5. Guaranteed by design and not tested. The input jitter on SYSCLK affects L3 output clocks and the L3 address, data and control signals equally and, therefore, is already comprehended in the AC timing and does not have to be considered in the L3 timing analysis. The clock-to-clock jitter shown here is uncertainty in the internal clock period caused by supply voltage noise or thermal effects. This is also comprehended in the AC timing specifications and need not be considered in the L3 timing analysis.

**Figure 11.** L3\_CLK\_OUT Output Timing Diagram

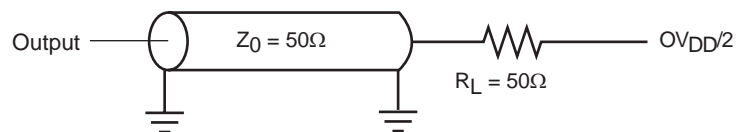


## L3 Bus AC Specifications

The PC7457 L3 interface supports three different types of SRAM: source-synchronous, double data rate (DDR) MSUG2 SRAM, Late Write SRAMs, and pipeline burst (PB2) SRAMs. Each requires a different protocol on the L3 interface and a different routing of the L3 clock signals. The type of SRAM is programmed in L3CR[22:23] and the PC7457 then follows the appropriate protocol for that type. The designer must connect and route the L3 signals appropriately for each type of SRAM. Following are some observations about the L3 interface.

- The routing for the point-to-point signals (L3\_CLK[0:1], L3DATA[0:63], L3DP[0:7], and L3\_ECHO\_CLK[0:3]) to a particular SRAM must be delay matched
- For 1M byte of SRAM, use L3\_ADDR[16:0] (L3\_ADDR[0] is LSB)
- For 2M bytes of SRAM, use L3\_ADDR[17:0] (L3\_ADDR[0] is LSB)
- No pull-up resistors are required for the L3 interface
- For high speed operations, L3 interface address and control signals should be a "T" with minimal stubs to the two loads; data and clock signals should be point-to-point to their single load. Figure 12 shows the AC test load for the L3 interface.

**Figure 12.** AC Test Load for the L3 Interface



In general, if routing is short, delay-matched, and designed for incident wave reception and minimal reflection, there is a high probability that the AC timing of the PC7457 L3 interface will meet the maximum frequency operation of appropriately chosen SRAMs. This is despite the pessimistic, guard-banded AC specifications (see Table 12 on page 28, Table 13 on page 29, and Table 14 on page 32), the limitations of functional testers described in Section "L3 Clock AC Specifications" on page 24 and the uncertainty of clocks and signals which inevitably make worst-case critical path timing analysis pessimistic.

More specifically, certain signals within groups should be delay-matched with others in the same group while intergroup routing is less critical. Only the address and control signals are common to both SRAMs and additional timing margin is available for these signals. The double-clocked data signals are grouped with individual clocks as shown in Figure 13 on page 30 or Figure 15 on page 33, depending on the type of SRAM. For example, for the MSUG2 DDR SRAM (see Figure 13); L3DATA[0:31], L3DP[0:3], and L3\_CLK[0] form a closely coupled group of outputs from the PC7457; while L3DATA[0:15], L3DP[0:1], and L3\_ECHO\_CLK[0] form a closely coupled group of inputs.

The PC7450 RISC Microprocessor Family User's Manual refers to logical settings called "sample points" used in the synchronization of reads from the receive FIFO. The computation of the correct value for this setting is system-dependent and is described in the PC7450 RISC Microprocessor Family User's Manual.

Three specifications are used in this calculation and are given in Table 11 on page 27. It is essential that all three specifications are included in the calculations to determine the sample points as incorrect settings can result in errors and unpredictable behavior. For more information, see the PC7450 RISC Microprocessor Family User's Manual.

**Table 11.** Sample Points Calculation Parameters

Symbol	Parameter	Max	Unit
$t_{AC}$	Delay from processor clock to internal_L3_CLK <sup>(1)</sup>	3/4	$t_{L3\_CLK}$
$t_{CO}$	Delay from internal_L3_CLK to L3_CLK[n] output pins <sup>(2)</sup>	3	ns
$t_{ECI}$	Delay from L3_ECHO_CLK[n] to receive latch <sup>(3)</sup>	3	ns

- Notes:
1. This specification describes a logical offset between the internal clock edge used to launch the L3 address and control signals (this clock edge is phase-aligned with the processor clock edge) and the internal clock edge used to launch the L3\_CLK[n] signals. With proper board routing, this offset ensures that the L3\_CLK[n] edge will arrive at the SRAM within a valid address window and provide adequate setup and hold time. This offset is reflected in the L3 bus interface AC timing specifications, but must also be separately accounted for in the calculation of sample points and, thus, is specified here.
  2. This specification is the delay from a rising or falling edge on the internal\_L3\_CLK signal to the corresponding rising or falling edge at the L3CLK[n] pins.
  3. This specification is the delay from a rising or falling edge of L3\_ECHO\_CLK[n] to data valid and ready to be sampled from the FIFO.

*Effects of L3OHCR Settings on L3 Bus AC Specifications*

The AC timing of the L3 interface can be adjusted using the L3 Output Hold Control Register (L3OCHR).

Each field controls the timing for a group of signals. The AC timing specifications presented herein represent the AC timing when the register contains the default value of 0x0000\_0000. Incrementing a field delays the associated signals, increasing the output valid time and hold time of the affected signals. In the special case of delaying an L3\_CLK signal, the net effect is to decrease the output valid and output hold times of all signals being latched relative to that clock signal. The amount of delay added is summarized in Table 12 on page 28.

Note that these settings affect output timing parameters only and don't impact input timing parameters of the L3 bus in any way.

**Table 12.** Effect of L3OHCR Settings on L3 Bus AC Timing

Field name <sup>(1)</sup>	Affected Signals	Value	Output Valid Time		Output Hold Time		Unit	Notes
			Parameter Symbol <sup>(2)</sup>	Change <sup>(3)</sup>	Parameter Symbol <sup>(2)</sup>	Change <sup>(3)</sup>		
L3AOH	L3_ADDR[18:0], L3_CNTL[0:1]	0b00	t <sub>L3CHOV</sub>	0	t <sub>L3CHOX</sub>	0	ps	(4)
		0b01		+50		+50		
		0b10		+100		+100		
		0b11		+150		+150		
L3CLKn_OH	All signals latched by SRAM connected to L3_CLKn	0b000	t <sub>L3CHOV</sub> t <sub>L3CHDV</sub> t <sub>L3CLDV</sub>	0	t <sub>L3CHOX</sub> t <sub>L3CHDX</sub> t <sub>L3CLDX</sub>	0	(4)	
		0b001		-50		-50	(5)	
		0b010		-100		-100	(5)	
		0b011		-150		-150	(5)	
		0b100		-200		-200	(5)	
		0b101		-250		-250	(5)	
		0b110		-300		-300	(5)	
0b111	-350	-350	(5)					
L3DOHn	L3_DATA[n:n + 7], L3_DP[n/8]	0b000	t <sub>L3CHDV</sub> t <sub>L3CLDV</sub>	0	t <sub>L3CHDX</sub> t <sub>L3CLDX</sub>	0	(4)	
		0b001		+50		+50		
		0b010		+100		+100		
		0b011		+150		+150		
		0b100		+200		+200		
		0b101		+250		+250		
		0b111		+350		+350		
		0b111		+350		+350		

- Notes:
1. Refer to the PC7450 RISC Microprocessor Family User's Manual for specific information regarding L3OHCR.
  2. See Table 13 on page 29 and Table 14 on page 32 for more information.
  3. Guaranteed by design; not tested or characterized.
  4. Default value.
  5. Increasing values of L3CLKn\_OH delay the L3\_CLKn signal, effectively decreasing the output valid and output hold times of all signals latched relative to that clock signal by the SRAM; see Figure 13 on page 30 and Figure 15 on page 33.

*L3 Bus AC Specifications for  
DDR MSUG2 SRAMs*

When using DDR MSUG2 SRAMs at the L3 interface, the parts should be connected as shown in Figure 13.

Outputs from the PC7457 are actually launched on the edges of an internal clock phase-aligned to SYSCLK (adjusted for core and L3 frequency divisors). L3\_CLK0 and L3\_CLK1 are this internal clock output with 90° phase delay, so outputs are shown synchronous to L3\_CLK0 and L3\_CLK1. Output valid times are typically negative when referenced to L3\_CLKn because the data is launched one-quarter period before L3\_CLKn to provide adequate setup time at the SRAM after the delay-matched address, control, data, and L3\_CLKn signals have propagated across the printed-wiring board.

Inputs to the PC7457 are source-synchronous with the CQ clock generated by the DDR MSUG2 SRAMs.

These CQ clocks are received on the L3\_ECHO\_CLKn inputs of the PC7457. An internal circuit delays the incoming L3\_ECHO\_CLKn signal such that it is positioned within the valid data window at the internal receiving latches. This delayed clock is used to capture the data into these latches which comprise the receive FIFO. This clock is asynchronous to all other processor clocks. This latched data is subsequently read out of the FIFO synchronously to the processor clock. The time between writing and reading the data is set by using the sample point settings defined in the L3CR register.

Table 13 provides the L3 bus interface AC timing specifications for the configuration as shown in Figure 13, assuming the timing relationships shown in Figure 14 and the loading shown in Figure 12 on page 26.

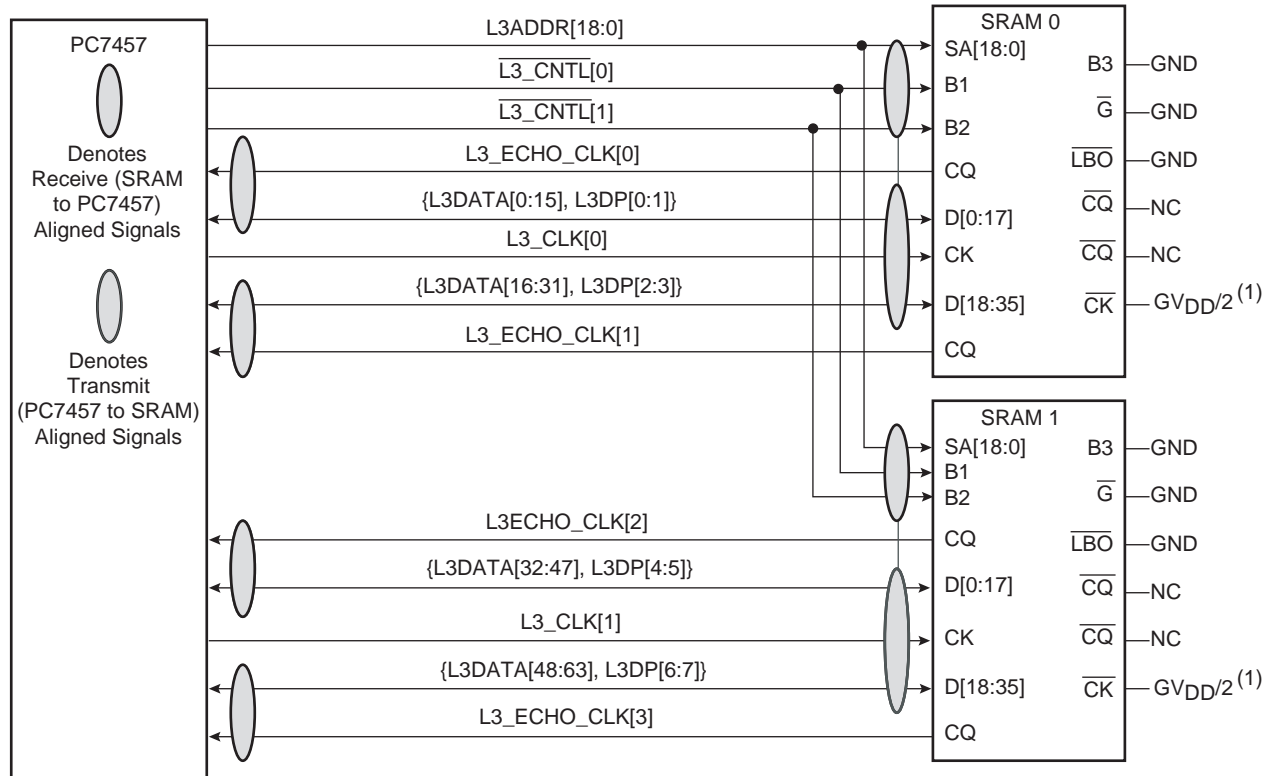
**Table 13.** L3 Bus Interface AC Timing Specifications for MSUG2 at Recommended Operating Conditions (see Table 3 on page 12)

Symbol	Parameter	All Speed Grades		Unit
		Min	Max	
$t_{L3CR}, t_{L3CF}$	L3_CLK rise and fall time <sup>(1)</sup>	–	0.75	ns
$t_{L3DVEH}, t_{L3DVEL}$	Setup times: Data and parity <sup>(2)(3)(4)</sup>	-0.35	–	ns
$t_{L3DXEH}, t_{L3DXEL}$	Input hold times: Data and parity <sup>(2)(4)</sup>	2.1	–	ns
$t_{L3CHDV}, t_{L3CLDV}$	Valid times: Data and parity <sup>(5)(6)(7)(8)</sup>	–	$(-t_{L3CLK}/4) + 0.60$	ns
$t_{L3CHOV}$	Valid times: All other outputs <sup>(5)(7)(8)</sup>	–	$(t_{L3CLK}/4) + 0.65$	ns
$t_{L3CHDX}, t_{L3CLDX}$	Output hold times: Data and parity <sup>(5)(6)(7)(8)</sup>	$(t_{L3CLK}/4) - 0.60$	–	ns
$t_{L3CHOX}$	Output hold times: All other outputs <sup>(5)(7)(8)</sup>	$(t_{L3CLK}/4) - 0.50$	–	ns
$t_{L3CLDZ}$	L3_CLK to high impedance: Data and parity	–	TBD	ns

- Notes:
1. Rise and fall times for the L3\_CLK output are measured from 20% to 80% of  $GV_{DD}$ .
  2. For DDR, all input specifications are measured from the midpoint of the signal in question to the midpoint voltage of the rising or falling edge of the input L3\_ECHO\_CLKn (see Figure 14 on page 31). Input timings are measured at the pins.
  3. For DDR, the input data will typically follow the edge of L3\_ECHO\_CLKn as shown in Figure 14. For consistency with other input setup time specifications, this will be treated as negative input setup time.
  4.  $t_{L3\_CLK}/4$  is one-fourth the period of L3\_CLKn. This parameter indicates that the PC7457 can latch an input signal that is valid for only a short time before and a short time after the midpoint between the rising and falling (or falling and rising) edges of L3\_ECHO\_CLKn at any frequency.
  5. All output specifications are measured from the midpoint voltage of the rising (or for DDR write data, also the falling) edge of L3\_CLK to the midpoint of the signal in question. The output timings are measured at the pins. All output timings assume a purely resistive 50Ω load (see Figure 12 on page 26).
  6. For DDR, the output data will typically lead the edge of L3\_CLKn as shown in Figure 14 on page 31. For consistency with other output valid time specifications, this will be treated as negative output valid time.
  7.  $t_{L3\_CLK}/4$  is one-fourth the period of L3\_CLKn. This parameter indicates that the specified output signal is actually launched by an internal clock delayed in phase by 90°. Therefore, there is a frequency component to the output valid and output hold times such that the specified output signal will be valid for approximately one L3\_CLK period starting three-fourths of a clock prior to the edge on which the SRAM will sample it and ending one-fourth of a clock period after the edge it will be sampled.
  8. Assumes default value of L3OHCR. See “Effects of L3OHCR Settings on L3 Bus AC Specifications” on page 27 for more information.

Figure 13 shows the typical connection diagram for the PC7457 interfaced to MSUG2 DDR SRAMs.

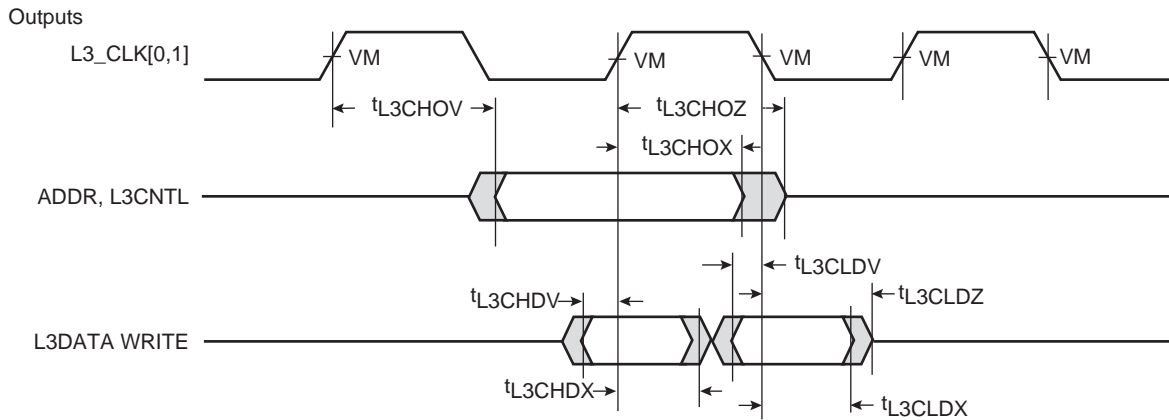
**Figure 13.** Typical Source Synchronous 4M bytes L3 Cache DDR Interface



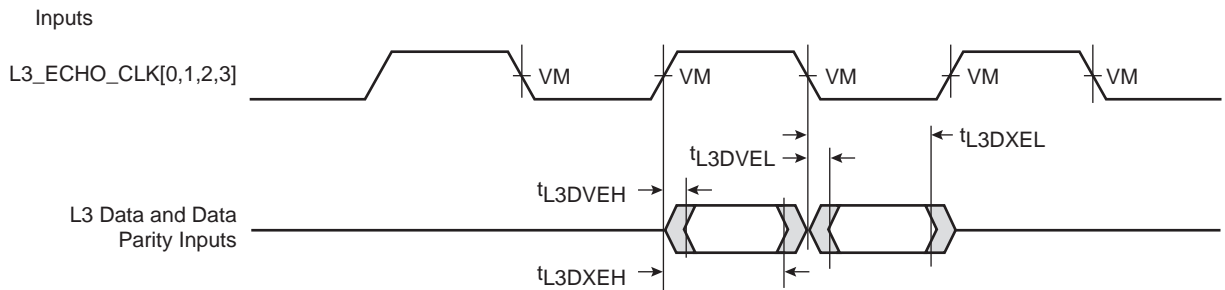
Note: 1. Or as recommended by SRAM manufacturer for single-ended clocking.

Figure 14 shows the L3 bus timing diagrams for the PC7457 interfaced to MSUG2 SRAMs.

**Figure 14.** L3 Bus Timing Diagrams for L3 Cache DDR SRAMs



Note:  $t_{L3CHDV}$  and  $t_{L3CLDV}$  as drawn here will be negative numbers, that is, output valid time will be time before the clock edge.



Notes: 1.  $t_{L3DVEH}$  and  $t_{L3DVEL}$  as drawn here will be negative numbers, that is, input setup time will be time after the clock edge.  
 2. VM = Midpoint Voltage ( $GV_{DD}/2$ )

### L3 Bus AC Specifications for PB2 and Late Write SRAMs

When using PB2 or Late Write SRAMs at the L3 interface, the parts should be connected as shown in Figure 15 on page 33. These SRAMs are synchronous to the PC7457; one L3\_CLKn signal is output to each SRAM to latch address, control, and write data. Read data is launched by the SRAM synchronous to the delayed L3\_CLKn signal it received. The PC7457 needs a copy of that delayed clock which launched the SRAM read data to know when the returning data will be valid. Therefore, L3\_ECHO\_CLK1 and L3\_ECHO\_CLK3 must be routed halfway to the SRAMs and then returned to the PC7457 inputs L3\_ECHO\_CLK0 and L3\_ECHO\_CLK2, respectively. Thus, L3\_ECHO\_CLK0 and L3\_ECHO\_CLK2 are phase-aligned with the input clock received at the SRAMs. The PC7457 will latch the incoming data on the rising edge of L3\_ECHO\_CLK0 and L3\_ECHO\_CLK2.

Table 14 provides the L3 bus interface AC timing specifications for the configuration shown in Figure 15, assuming the timing relationships of Figure 16 and the loading of Figure 12 on page 26.

**Table 14.** L3 Bus Interface AC Timing Specifications for PB2 and Late Write SRAMs at Recommended Operating Conditions (see Table 3 on page 12)

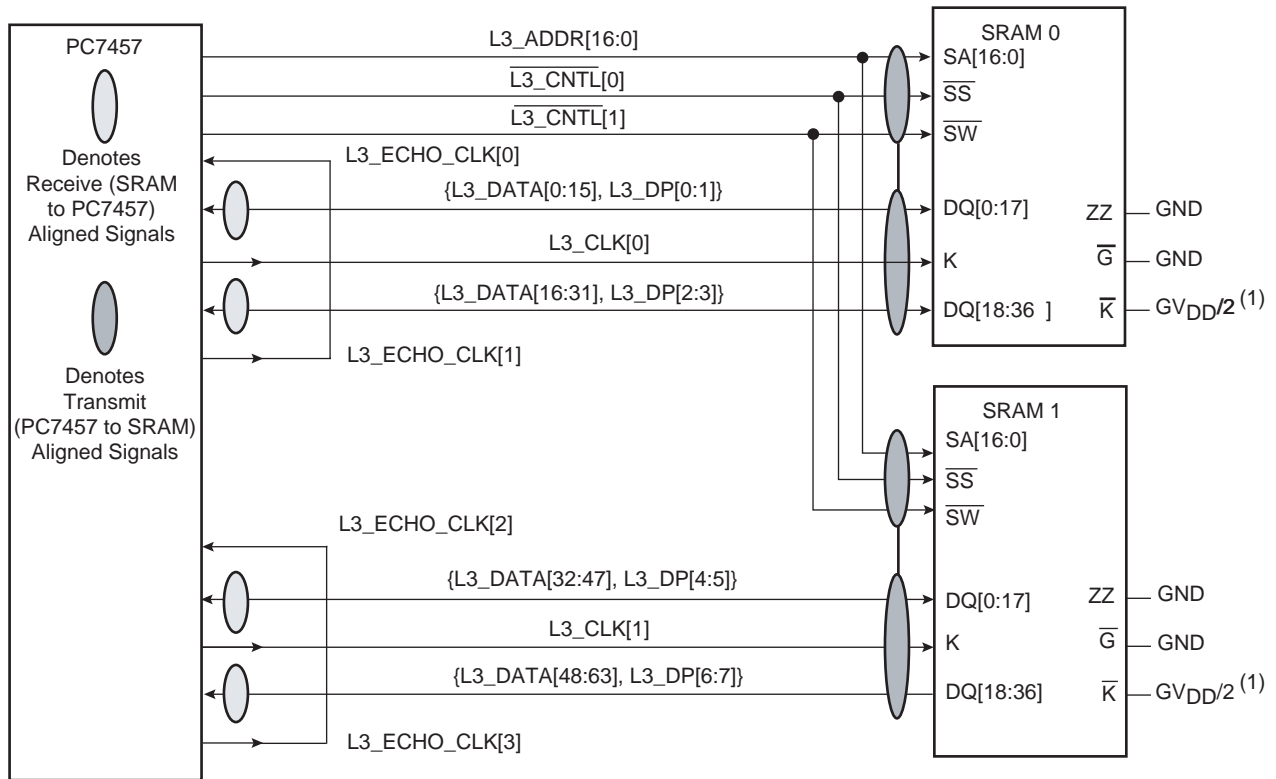
Symbol	Parameter	All Speed Grades		Unit
		Min	Max	
$t_{L3CR}, t_{L3CF}$	L3_CLK rise and fall time <sup>(1)(2)</sup>	–	0.75	ns
$t_{L3DVEH}$	Setup times: Data and parity <sup>(2)(3)</sup>	0.1	–	ns
$t_{L3DXEH}$	Input hold times: Data and parity <sup>(2)(3)</sup>	–	0.7	ns
$t_{L3CHDV}$	Valid times: Data and parity <sup>(2)(4)(5)(6)</sup>	–	2.5	ns
$t_{L3CHOV}$	Valid times: All other outputs <sup>(5)(6)</sup>	–	1.8	ns
$t_{L3CHDX}$	Output hold times: Data and parity <sup>(2)(4)(5)(6)</sup>	1.4	–	ns
$t_{L3CHOX}$	Output hold times: All other outputs <sup>(2)(5)(6)</sup>	1.0	–	ns
$t_{L3CHDZ}$	L3_CLK to high impedance: Data and parity <sup>(2)</sup>	–	3.0	ns
$t_{L3CHOZ}$	L3_CLK to high impedance: All other outputs <sup>(2)</sup>	–	3.0	ns

- Notes:
1. Rise and fall times for the L3\_CLK output are measured from 20% to 80% of  $GV_{DD}$ .
  2. Timing behavior and characterization are currently being evaluated.
  3. All input specifications are measured from the midpoint of the signal in question to the midpoint voltage of the rising edge of the input L3\_ECHO\_CLKn (see Figure 14 on page 31). Input timings are measured at the pins.
  4. All output specifications are measured from the midpoint voltage of the rising edge of L3\_CLKn to the midpoint of the signal in question. The output timings are measured at the pins. All output timings assume a purely resistive 50Ω load (see Figure 14).
  5.  $t_{L3\_CLK}/4$  is one-fourth the period of L3\_CLKn. This parameter indicates that the specified output signal is actually launched by an internal clock delayed in phase by 90°. Therefore, there is a frequency component to the output valid and output hold times such that the specified output signal will be valid for approximately one L3\_CLK period starting three-fourths of a clock before the edge on which the SRAM will sample it and ending one-fourth of a clock period after the edge it will be sampled.
  6. Assumes default value of L3OHCR. See “Effects of L3OHCR Settings on L3 Bus AC Specifications” on page 27 for more information.



Figure 15 shows the typical connection diagram for the PC7457 interfaced to PB2 SRAMs or Late Write SRAMs.

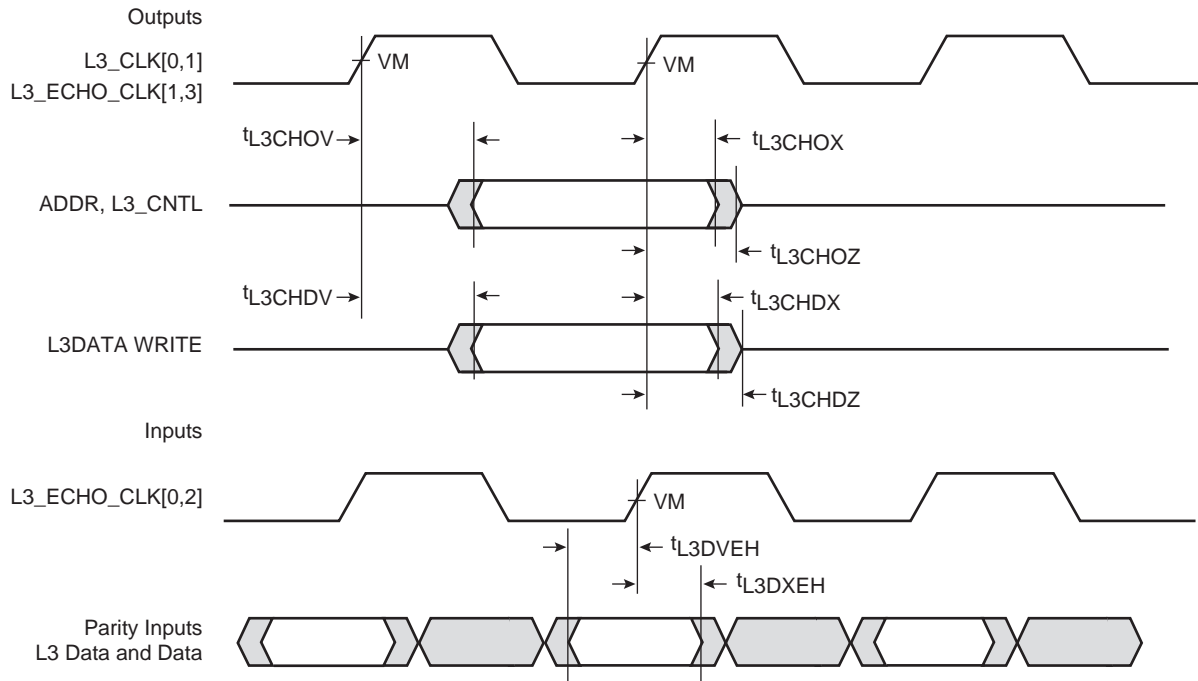
**Figure 15.** Typical Synchronous 1M Byte L3 Cache Late Write or PB2 Interface



Note: 1. Or as recommended by SRAM manufacturer for single-ended clocking.

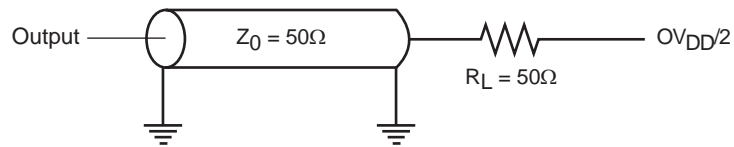
Figure 16 shows the L3 bus timing diagrams for the PC7457 interfaced to PB2 or Late Write SRAMs.

**Figure 16.** L3 Bus Timing Diagrams for Late Write or PB2 SRAMs



Note:  $VM = \text{Midpoint Voltage } (GV_{DD}/2)$

**Figure 17.** AC Test Load



## IEEE 1149.1 AC Timing Specifications

Table 15 provides the IEEE 1149.1 (JTAG) AC timing specifications as defined in Figure 19 through Figure 22 on page 37.

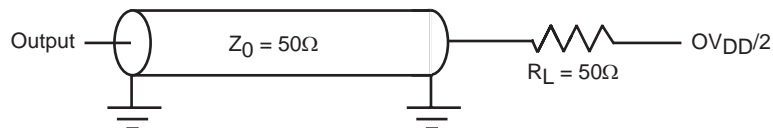
**Table 15.** JTAG AC Timing Specifications (Independent of SYSCLK)<sup>(1)</sup> at Recommended Operating Conditions (see Table 3 on page 12)

Symbol	Parameter	Min	Max	Unit
$f_{TCLK}$	TCK frequency of operation	0	33.3	MHz
$t_{TCLK}$	TCK cycle time	30	–	ns
$t_{JHJL}$	TCK clock pulse width measured at 1.4V	15	–	ns
$t_{JR}$ and $t_{JF}$	TCK rise and fall times	0	2	ns
$t_{TRST}^{(2)}$	$\overline{TRST}$ assert time	25	–	ns
$t_{DVJH}^{(3)}$ $t_{IVJH}$	Input Setup Times: Boundary-scan data TMS, TDI	4 0	– –	ns
$t_{DXJH}^{(3)}$ $t_{IXJH}$	Input Hold Times: Boundary-scan data TMS, TDI	20 25	– –	ns
$t_{JLDV}^{(4)}$ $t_{JLOV}$	Valid Times: Boundary-scan data TDO	4 4	20 25	ns
$t_{JLDX}^{(4)}$ $t_{JLOX}$	Output hold times: Boundary-scan data TDO	TBD TBD	TBD TBD	
$t_{JLDZ}^{(4)(5)}$ $t_{JLOZ}$	TCK to output high impedance: Boundary-scan data TDO	3 3	19 9	ns

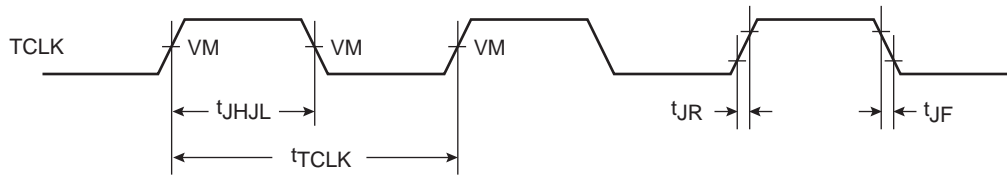
- Notes:
1. All outputs are measured from the midpoint voltage of the falling/rising edge of TCLK to the midpoint of the signal in question. The output timings are measured at the pins. All output timings assume a purely resistive 50Ω load (see Figure 18). Time-of-flight delays must be added for trace lengths, vias and connectors in the system.
  2.  $\overline{TRST}$  is an asynchronous level sensitive signal. The setup time is for test purposes only.
  3. Non-JTAG signal input timing with respect to TCK.
  4. Non-JTAG signal output timing with respect to TCK.
  5. Guaranteed by design and characterization

Figure 18 provides the AC test load for TDO and the boundary-scan outputs of the PC7457.

**Figure 18.** Alternate AC Test Load for the JTAG Interface

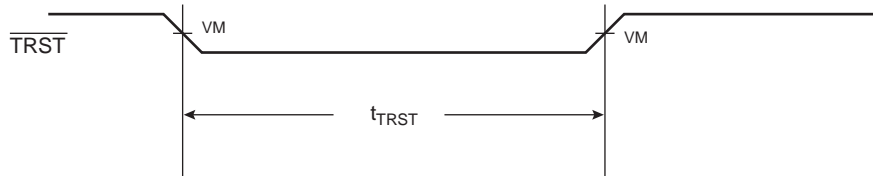


**Figure 19. JTAG Clock Input Timing Diagram**



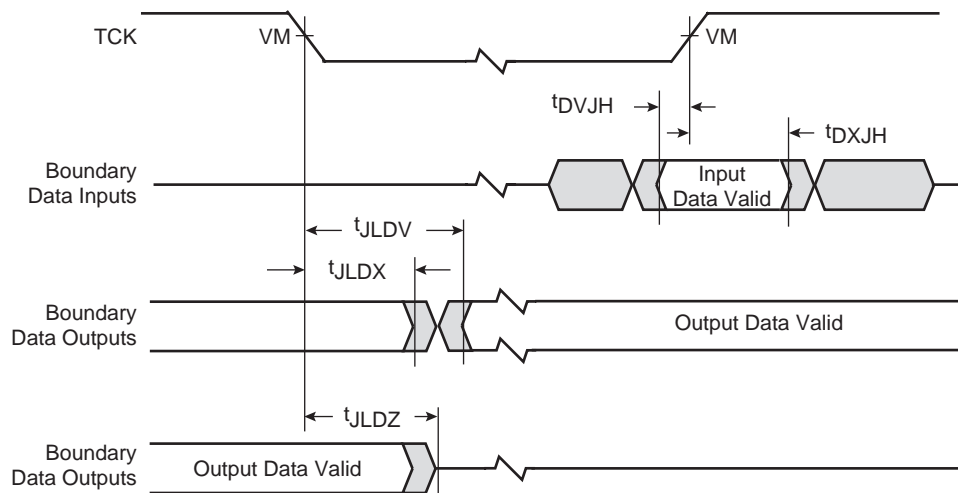
Note: VM = Midpoint Voltage ( $OV_{DD}/2$ )

**Figure 20.  $\overline{\text{TRST}}$  Timing Diagram**



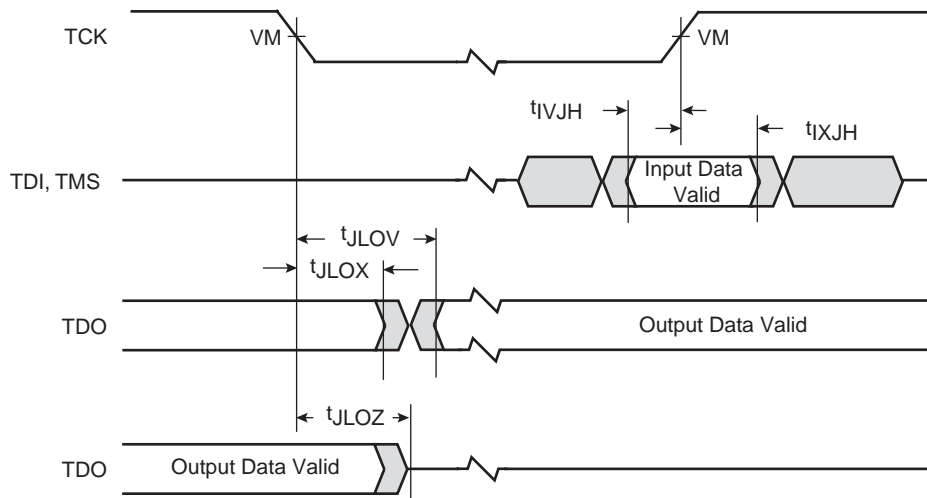
Note: VM = Midpoint Voltage ( $OV_{DD}/2$ )

**Figure 21. Boundary-scan Timing Diagram**



Note: VM = Midpoint Voltage ( $OV_{DD}/2$ )

Figure 22. Test Access Port Timing Diagram



Note: VM = Midpoint Voltage ( $OV_{DD}/2$ )

## Preparation for Delivery

## Handling

MOS devices must be handled with certain precautions to avoid damage due to accumulation of static charge. Input protection devices have been designed in the chip to minimize the effect of static buildup. However, the following handling practices are recommended:

- Devices should be handled on benches with conductive and grounded surfaces.
- Ground test equipment, tools and operator.
- Do not handle devices by the leads.
- Store devices in conductive foam or carriers.
- Avoid use of plastic, rubber or silk in MOS areas.
- Maintain relative humidity above 50% if practical.



**Package Mechanical Data**

The following sections provide the package parameters and mechanical dimensions for the CBGA package.

**Package Parameters for the PC7447, 360 CBGA**

The package parameters are as provided in the following list. The package type is 25 x 25 mm, 360-lead ceramic ball grid array (CBGA).

Package outline	25 mm x 25 mm
Interconnects	360 (19 x 19 ball array - 1)
Pitch	1.27 mm (50 mil)
Minimum module height	2.72 mm
Maximum module height	3.24 mm
Ball diameter	0.89 mm (35 mil)

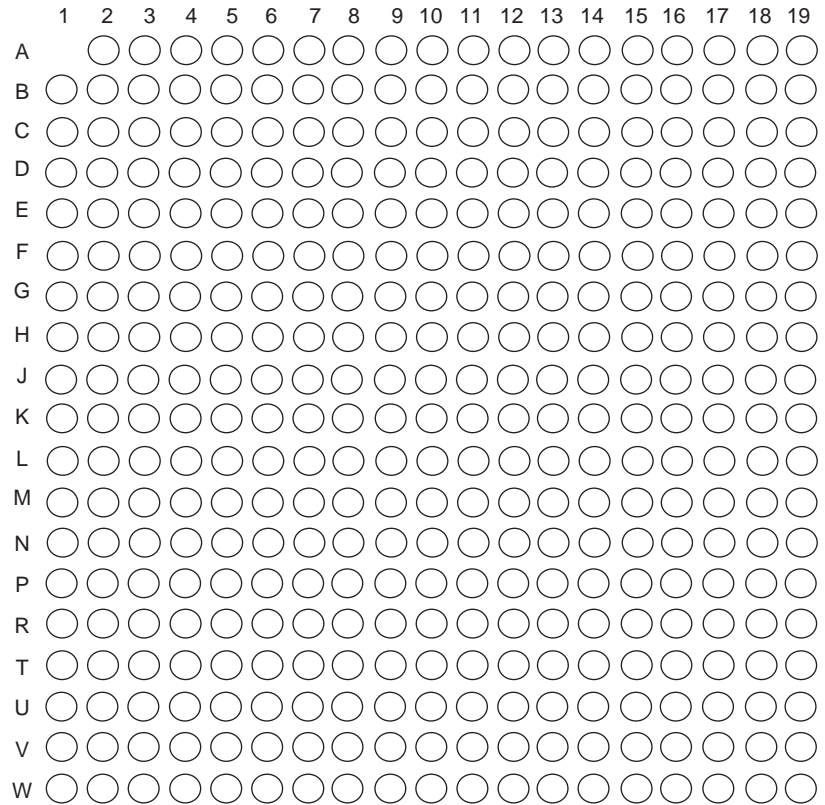


## Pin Assignment

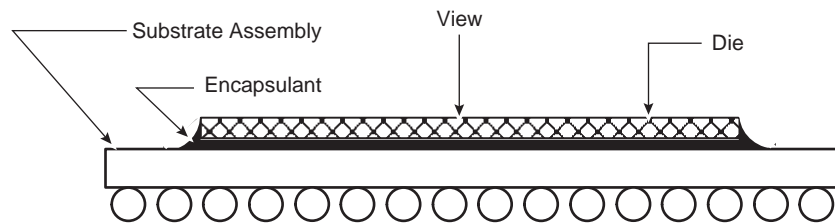
Figure 23 shows the pinout of the PC7447, 360 CBGA package as viewed from the top surface.

Figure 24 shows the side profile of the CBGA package to indicate the direction of the top surface view.

**Figure 23.** Pinout of the PC7447, 360 CBGA Package as Viewed from the Top Surface



**Figure 24.** Side View of the CBGA Package



## Pinout Listings

Table 16 provides the pinout listing for the PC7447, 360 CBGA package. Table 15 provides the pinout listing for the PC7457, 483 CBGA package.

Note: This pinout is not compatible with the PC750, PC7400, or PC7410 360 BGA package.

**Table 16.** Pinout Listing for the PC7447, 360 CBGA Package

Signal Name	Pin Number	Active	I/O	I/F Select <sup>(1)</sup>
A[0:35] <sup>(2)</sup>	E11, H1, C11, G3, F10, L2, D11, D1, C10, G2, D12, L3, G4, T2, F4, V1, J4, R2, K5, W2, J2, K4, N4, J3, M5, P5, N3, T1, V2, U1, N5, W1, B12, C4, G10, B11	High	I/O	BVSEL
$\overline{\text{AACK}}$	R1	Low	Input	BVSEL
AP[0:4]	C1, E3, H6, F5, G7	High	I/O	BVSEL
$\overline{\text{ARTRY}}$ <sup>(3)</sup>	N2	Low	I/O	BVSEL
AV <sub>DD</sub>	A8	–	Input	BVSEL
$\overline{\text{BG}}$	M1	Low	Input	BVSEL
$\overline{\text{BMODE0}}$ <sup>(4)</sup>	G9	Low	Input	BVSEL
$\overline{\text{BMODE1}}$ <sup>(5)</sup>	F8	Low	Input	BVSEL
$\overline{\text{BR}}$	D2	Low	Output	BVSEL
BVSEL <sup>(1)(6)</sup>	B7	High	Input	BVSEL
$\overline{\text{CI}}$ <sup>(3)</sup>	J1	Low	Output	BVSEL
$\overline{\text{CKSTP\_IN}}$	A3	Low	Input	BVSEL
$\overline{\text{CKSTP\_OUT}}$	B1	Low	Output	BVSEL
CLK_OUT	H2	High	Output	BVSEL
D[0:63]	R15, W15, T14, V16, W16, T15, U15, P14, V13, W13, T13, P13, U14, W14, R12, T12, W12, V12, N11, N10, R11, U11, W11, T11, R10, N9, P10, U10, R9, W10, U9, V9, W5, U6, T5, U5, W7, R6, P7, V6, P17, R19, V18, R18, V19, T19, U19, W19, U18, W17, W18, T16, T18, T17, W3, V17, U4, U8, U7, R7, P6, R8, W8, T8	High	I/O	BVSEL
$\overline{\text{DBG}}$	M2	Low	Input	BVSEL
DP[0:7]	T3, W4, T4, W9, M6, V3, N8, W6	High	I/O	BVSEL
$\overline{\text{DRDY}}$ <sup>(7)</sup>	R3	Low	Output	BVSEL
DTI[0:3] <sup>(8)</sup>	G1, K1, P1, N1	High	Input	BVSEL
EXT_QUAL <sup>(9)</sup>	A11	High	Input	BVSEL
$\overline{\text{GBL}}$	E2	Low	I/O	BVSEL
GND	B5, C3, D6, D13, E17, F3, G17, H4, H7, H9, H11, H13, J6, J8, J10, J12, K7, K3, K9, K11, K13, L6, L8, L10, L12, M4, M7, M9, M11, M13, N7, P3, P9, P12, R5, R14, R17, T7, T10, U3, U13, U17, V5, V8, V11, V15	–	–	N/A
$\overline{\text{HIT}}$ <sup>(7)</sup>	B2	Low	Output	BVSEL
$\overline{\text{HRESET}}$	D8	Low	Input	BVSEL
$\overline{\text{INT}}$	D4	Low	Input	BVSEL
L1_TSTCLK <sup>(9)</sup>	G8	High	Input	BVSEL
L2_TSTCLK <sup>(10)</sup>	B3	High	Input	BVSEL



**Table 16.** Pinout Listing for the PC7447, 360 CBGA Package (Continued)

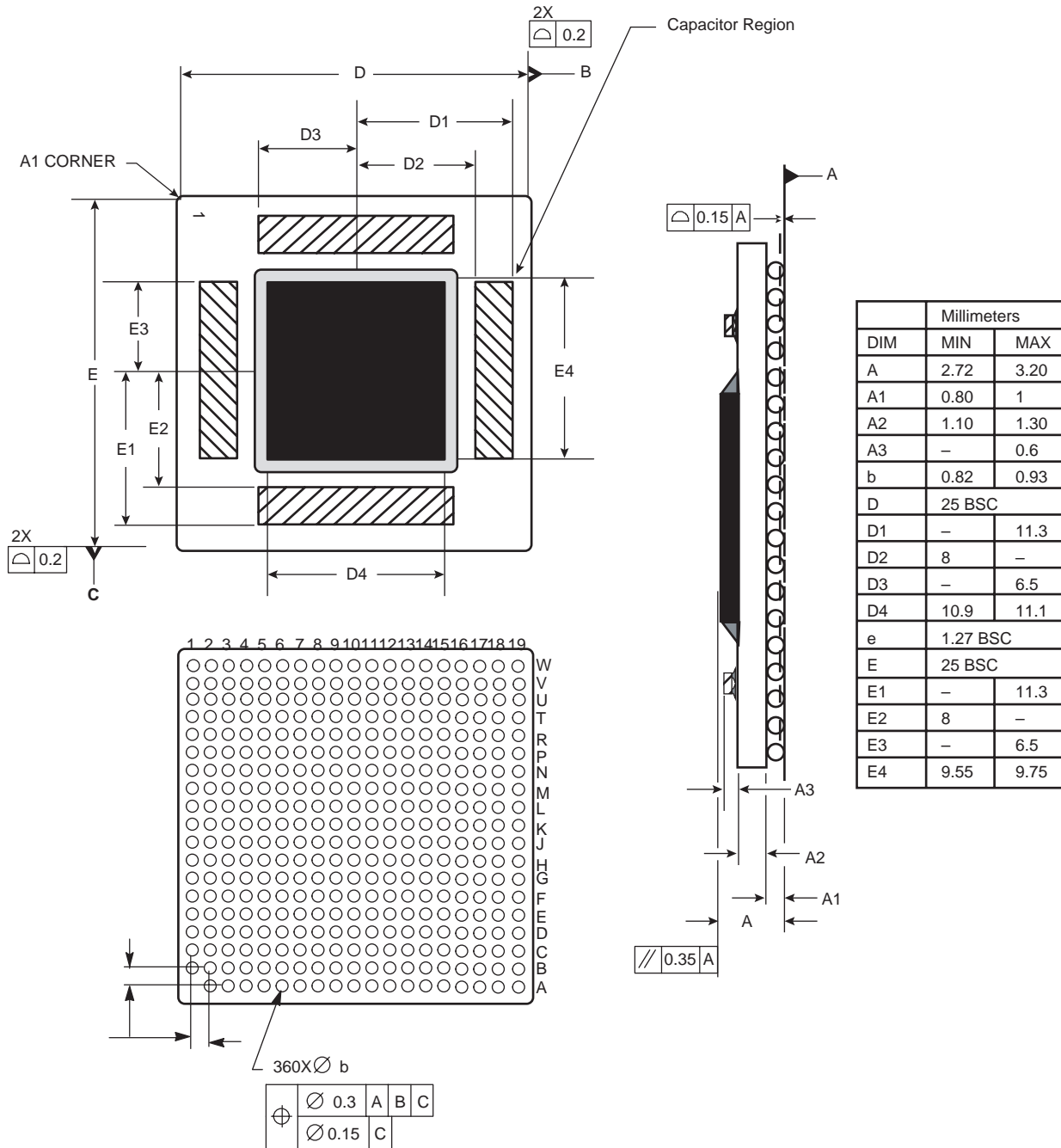
Signal Name	Pin Number	Active	I/O	I/F Select <sup>(1)</sup>
No Connect <sup>(11)</sup>	A6, A13, A14, A15, A16, A17, A18, A19, B13, B14, B15, B16, B17, B18, B19, C13, C14, C15, C16, C17, C18, C19, D14, D15, D16, D17, D18, D19, E12, E13, E14, E15, E16, E19, F12, F13, F14, F15, F16, F17, F18, F19, G11, G12, G13, G14, G15, G16, G19, H14, H15, H16, H17, H18, H19, J14, J15, J16, J17, J18, J19, K15, K16, K17, K18, K19, L14, L15, L16, L17, L18, L19, M14, M15, M16, M17, M18, M19, N12, N13, N14, N15, N16, N17, N18, N19, P15, P16, P18, P19	–	–	–
$\overline{\text{LSSD\_MODE}}^{(6)(12)}$	E8	Low	Input	BVSEL
$\overline{\text{MCP}}$	C9	Low	Input	BVSEL
$\text{OV}_{\text{DD}}$	B4, C2, C12, D5, E18, F2, G18, H3, J5, K2, L5, M3, N6, P2, P8, P11, R4, R13, R16, T6, T9, U2, U12, U16, V4, V7, V10, V14	–	–	N/A
PLL_CFG[0:4]	B8, C8, C7, D7, A7	High	Input	BVSEL
$\overline{\text{PMON\_IN}}^{(13)}$	D9	Low	Input	BVSEL
$\overline{\text{PMON\_OUT}}$	A9	Low	Output	BVSEL
$\overline{\text{QACK}}$	G5	Low	Input	BVSEL
$\overline{\text{QREQ}}$	P4	Low	Output	BVSEL
$\overline{\text{SHD}}[0:1]^{(3)}$	E4, H5	Low	I/O	BVSEL
$\overline{\text{SMI}}$	F9	Low	Input	BVSEL
$\overline{\text{SRESET}}$	A2	Low	Input	BVSEL
SYSCLK	A10	–	Input	BVSEL
$\overline{\text{TA}}$	K6	Low	Input	BVSEL
TBEN	E1	High	Input	BVSEL
$\overline{\text{TBST}}$	F11	Low	Output	BVSEL
TCK	C6	High	Input	BVSEL
$\text{TDI}^{(6)}$	B9	High	Input	BVSEL
TDO	A4	High	Output	BVSEL
$\overline{\text{TEA}}$	L1	Low	Input	BVSEL
TEST[0:3] <sup>(12)</sup>	A12, B6, B10, E10	–	Input	BVSEL
TEST[4] <sup>(9)</sup>	D10	–	Input	BVSEL
TMS <sup>(6)</sup>	F1	High	Input	BVSEL
$\overline{\text{TRST}}^{(6)(14)}$	A5	Low	Input	BVSEL
$\overline{\text{TS}}^{(3)}$	L4	Low	I/O	BVSEL
TSIZ[0:2]	G6, F7, E7	High	Output	BVSEL
TT[0:4]	E5, E6, F6, E9, C5	High	I/O	BVSEL
$\overline{\text{WT}}^{(3)}$	D3	Low	Output	BVSEL
$\text{V}_{\text{DD}}$	H8, H10, H12, J7, J9, J11, J13, K8, K10, K12, K14, L7, L9, L11, L13, M8, M10, M12	–	–	$\overline{\text{N/A}}$

- Notes:
1.  $OV_{DD}$  supplies power to the processor bus, JTAG, and all control signals; and  $V_{DD}$  supplies power to the processor core and the PLL (after filtering to become  $AV_{DD}$ ). To program the I/O voltage, connect BVSEL to either GND (selects 1.8V) or to  $\overline{HRESET}$  (selects 2.5V). If used, the pull-down resistor should be less than 250 $\Omega$ . For actual recommended value of  $V_{IN}$  or supply voltages see Figure 3 on page 12.
  2. Unused address pins must be pulled down to GND.
  3. These pins require weak pull-up resistors (for example, 4.7 k $\Omega$ ) to maintain the control signals in the negated state after they have been actively negated and released by the PC7447 and other bus masters.
  4. This signal selects between MPX bus mode (asserted) and 60x bus mode (negated) and will be sampled at  $\overline{HRESET}$  going high.
  5. This signal must be negated during reset, by pull up to  $OV_{DD}$  or negation by  $\overline{\overline{HRESET}}$  (inverse of  $\overline{HRESET}$ ), to ensure proper operation.
  6. Internal pull up on die.
  7. Ignored in 60x bus mode.
  8. These signals must be pulled down to GND if unused, or if the PC7447 is in 60x bus mode.
  9. These input signals are for factory use only and must be pulled down to GND for normal machine operation.
  10. It is recommended this test signal be tied to  $\overline{HRESET}$ ; however, other configurations will not adversely affect performance.
  11. These signals are for factory use only and must be left unconnected for normal machine operation.
  12. These input signals are for factory use only and must be pulled up to  $OV_{DD}$  for normal machine operation.
  13. This pin can externally cause a performance monitor event. Counting of the event is enabled via software.
  14. This signal must be asserted during reset, by pull down to GND or assertion by  $\overline{HRESET}$ , to ensure proper operation

### Mechanical Dimensions for the PC7447, 360 CBGA

Figure 25 provides the mechanical dimensions and bottom surface nomenclature for the PC7447, 360 CBGA package.

**Figure 25.** Mechanical Dimensions and Bottom Surface Nomenclature for the PC7447, 360 CBGA Package

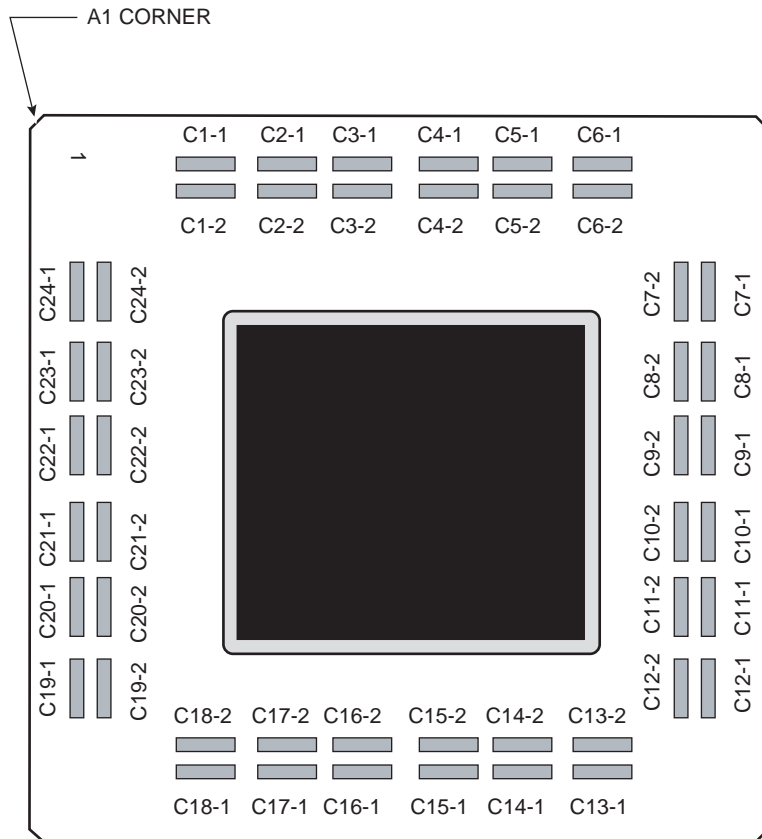


- Notes:
1. Dimensioning and tolerance per ASME Y14.5M, 1994
  2. Dimensions in millimeters
  3. Top side A1 corner index is a metallized feature with various shapes. Bottom side A1 corner is designated with a ball missing from the array

## Substrate Capacitors for the PC7447, 360 CBGA

Figure 26 shows the connectivity of the substrate capacitor pads for the PC7447, 360 CBGA. All capacitors are 100 nF.

**Figure 26.** Substrate Bypass Capacitors for the PC7447, 360 CBGA



Capacitor	Pad Number	
	-1	-2
C1	GND	V <sub>DD</sub>
C2	GND	V <sub>DD</sub>
C3	GND	OV <sub>DD</sub>
C4	GND	V <sub>DD</sub>
C5	GND	V <sub>DD</sub>
C6	GND	V <sub>DD</sub>
C7	GND	V <sub>DD</sub>
C8	GND	V <sub>DD</sub>
C9	GND	OV <sub>DD</sub>
C10	GND	V <sub>DD</sub>
C11	GND	V <sub>DD</sub>
C12	GND	V <sub>DD</sub>
C13	GND	V <sub>DD</sub>
C14	GND	V <sub>DD</sub>
C15	GND	V <sub>DD</sub>
C16	GND	OV <sub>DD</sub>
C17	GND	V <sub>DD</sub>
C18	GND	OV <sub>DD</sub>
C19	GND	V <sub>DD</sub>
C20	GND	V <sub>DD</sub>
C21	GND	OV <sub>DD</sub>
C22	GND	V <sub>DD</sub>
C23	GND	V <sub>DD</sub>
C24	GND	V <sub>DD</sub>

### Package Parameters for the PC7457, 483 CBGA

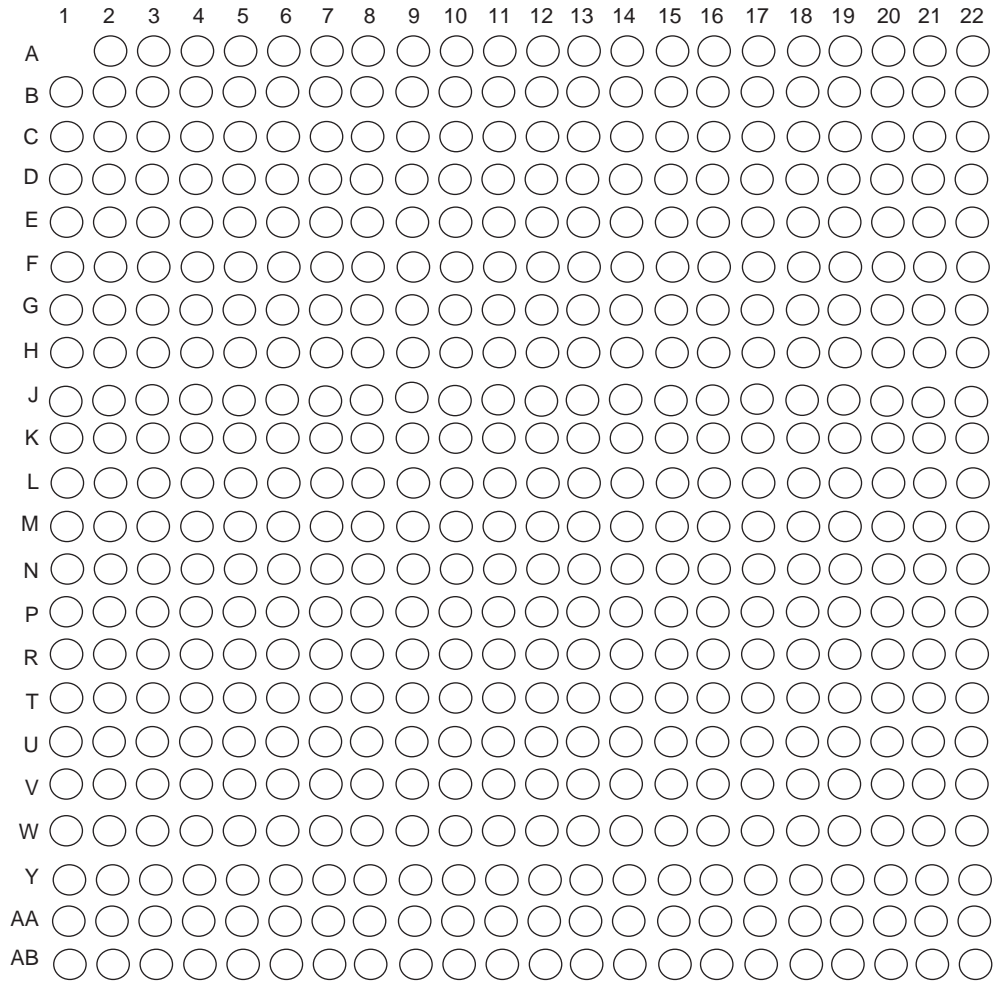
The package parameters are as provided in the following list. The package type is 29 x 29 mm, 483-lead ceramic ball grid array (CBGA).

Package outline	29 mm x 29 mm
Interconnects	483 (22 x 22 ball array - 1)
Pitch	1.27 mm (50 mil)
Minimum module height	—
Maximum module height	3.22 mm
Ball diameter	0.89 mm (35 mil)

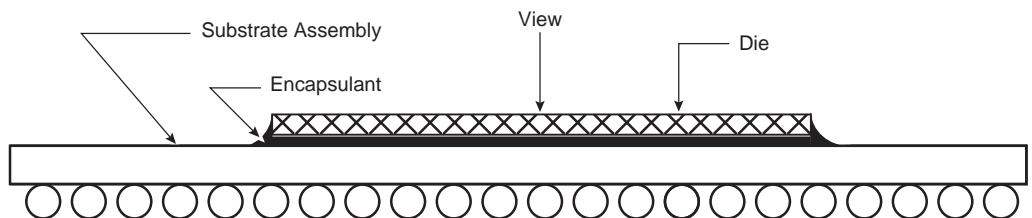
Figure 27 shows the pinout of the PC7457, 483 CBGA package as viewed from the top surface.

Figure 28 shows the side profile of the CBGA package to indicate the direction of the top surface view.

**Figure 27.** Pinout of the PC7457, 483 CBGA Package as Viewed from the Top Surface



**Figure 28.** Side View of the CBGA Package



**Table 17.** Pinout Listing for the PC7457, 483 CBGA Package

Signal Name	Pin Number	Active	I/O	I/F Select <sup>(1)</sup>
A[0:35] <sup>(2)</sup>	E10, N4, E8, N5, C8, R2, A7, M2, A6, M1, A10, U2, N2, P8, M8, W4, N6, U6, R5, Y4, P1, P4, R6, M7, N7, AA3, U4, W2, W1, W3, V4, AA1, D10, J4, G10, D9	High	I/O	BVSEL
$\overline{\text{AACK}}$	U1	Low	Input	BVSEL
AP[0:4]	L5, L6, J1, H2, G5	High	I/O	BVSEL
$\overline{\text{ARTRY}}$ <sup>(3)</sup>	T2	Low	I/O	BVSEL
AVDD	B2	–	Input	N/A
$\overline{\text{BG}}$	R3	Low	Input	BVSEL
$\overline{\text{BMODE0}}$ <sup>(4)</sup>	C6	Low	Input	BVSEL
$\overline{\text{BMODE1}}$ <sup>(5)</sup>	C4	Low	Input	BVSEL
$\overline{\text{BR}}$	K1	Low	Output	BVSEL
BVSEL <sup>(6)(7)</sup>	G6	High	Input	N/A
$\overline{\text{C}}$ <sup>(3)</sup>	R1	Low	Output	BVSEL
$\overline{\text{CKSTP\_IN}}$	F3	Low	Input	BVSEL
$\overline{\text{CKSTP\_OUT}}$	K6	Low	Output	BVSEL
CLK_OUT	N1	High	Output	BVSEL
D[0:63]	AB15, T14, R14, AB13, V14, U14, AB14, W16, AA11, Y11, U12, W13, Y14, U13, T12, W12, AB12, R12, AA13, AB11, Y12, V11, T11, R11, W10, T10, W11, V10, R10, U10, AA10, U9, V7, T8, AB4, Y6, AB7, AA6, Y8, AA7, W8, AB10, AA16, AB16, AB17, Y18, AB18, Y16, AA18, W14, R13, W15, AA14, V16, W6, AA12, V6, AB9, AB6, R7, R9, AA9, AB8, W9	High	I/O	BVSEL
$\overline{\text{DBG}}$	V1	Low	Input	BVSEL
DP[0:7]	AA2, AB3, AB2, AA8, R8, W5, U8, AB5	High	I/O	BVSEL
$\overline{\text{DRDY}}$ <sup>(8)</sup>	T6	Low	Output	BVSEL
DTI[0:3] <sup>(9)</sup>	P2, T5, U3, P6	High	Input	BVSEL
EXT_QUAL <sup>(10)</sup>	B9	High	Input	BVSEL
$\overline{\text{GBL}}$	M4	Low	I/O	BVSEL
GND	A22, B1, B5, B12, B14, B16, B18, B20, C3, C9, C21, D7, D13, D15, D17, D19, E2, E5, E21, F10, F12, F14, F16, F19, G4, G7, G17, G21, H13, H15, H19, H5, J3, J10, J12, J14, J17, J21, K5, K9, K11, K13, K15, K19, L10, L12, L14, L17, L21, M3, M6, M9, M11, M13, M19, N10, N12, N14, N17, N21, P3, P9, P11, P13, P15, P19, R17, R21, T13, T15, T19, T4, T7, T9, U17, U21, V2, V5, V8, V12, V15, V19, W7, W17, W21, Y3, Y9, Y13, Y15, Y20, AA5, AA17, AB1, AB22	–	–	N/A
GV <sub>DD</sub> <sup>(11)</sup>	B13, B15, B17, B19, B21, D12, D14, D16, D18, D21, E19, F13, F15, F17, F21, G19, H12, H14, H17, H21, J19, K17, K21, L19, M17, M21, N19, P17, P21, R15, R19, T17, T21, U19, V17, V21, W19, Y21	–	–	N/A
$\overline{\text{HIT}}$ <sup>(8)</sup>	K2	Low	Output	BVSEL
$\overline{\text{HRESET}}$	A3	Low	Input	BVSEL

**Table 17.** Pinout Listing for the PC7457, 483 CBGA Package (Continued)

Signal Name	Pin Number	Active	I/O	I/F Select <sup>(1)</sup>
$\overline{\text{INT}}$	J6	Low	Input	BVSEL
L1_TSTCLK <sup>(10)</sup>	H4	High	Input	BVSEL
L2_TSTCLK <sup>(12)</sup>	J2	High	Input	BVSEL
L3VSEL <sup>(6)(7)</sup>	A4	High	Input	N/A
L3ADDR[18:0]	H11, F20, J16, E22, H18, G20, F22, G22, H20, K16, J18, H22, J20, J22, K18, K20, L16, K22, L18	High	Output	L3VSEL
L3_CLK[0:1]	V22, C17	High	Output	L3VSEL
L3_CNTRL[0:1]	L20, L22	Low	Output	L3VSEL
L3DATA[0:63]	AA19, AB20, U16, W18, AA20, AB21, AA21, T16, W20, U18, Y22, R16, V20, W22, T18, U20, N18, N20, N16, N22, M16, M18, M20, M22, R18, T20, U22, T22, R20, P18, R22, M15, G18, D22, E20, H16, C22, F18, D20, B22, G16, A21, G15, E17, A20, C19, C18, A19, A18, G14, E15, C16, A17, A16, C15, G13, C14, A14, E13, C13, G12, A13, E12, C12	High	I/O	L3VSEL
L3DP[0:7]	AB19, AA22, P22, P16, C20, E16, A15, A12	High	I/O	L3VSEL
L3_ECHO_CLK[0,2]	V18, E18	High	Input	L3VSEL
L3_ECHO_CLK[1,3]	P20, E14	High	I/O	L3VSEL
$\overline{\text{LSSD\_MODE}}$ <sup>(7)(13)</sup>	F6	Low	Input	BVSEL
$\overline{\text{MCP}}$	B8	Low	Input	BVSEL
No Connect <sup>(14)</sup>	A8, A11, B6, B11, C11, D11, D3, D5, E11, E7, F2, F11, G2, H9	–	–	N/A
OV <sub>DD</sub>	B3, C5, C7, C10, D2, E3, E9, F5, G3, G9, H7, J5, K3, L7, M5, N3, P7, R4, T3, U5, U7, U11, U15, V3, V9, V13, Y2, Y5, Y7, Y10, Y17, Y19, AA4, AA15	–	–	N/A
PLL_CFG[0:4]	A2, F7, C2, D4, H8	High	Input	BVSEL
$\overline{\text{PMON\_IN}}$ <sup>(15)</sup>	E6	Low	Input	BVSEL
$\overline{\text{PMON\_OUT}}$	B4	Low	Output	BVSEL
$\overline{\text{QACK}}$	K7	Low	Input	BVSEL
$\overline{\text{QREQ}}$	Y1	Low	Output	BVSEL
$\overline{\text{SHD}}$ [0:1]	L4, L8	Low	I/O	BVSEL
$\overline{\text{SMI}}$	G8	Low	Input	BVSEL
$\overline{\text{SRESET}}$	G1	Low	Input	BVSEL
SYSCLK	D6	–	Input	BVSEL
$\overline{\text{TA}}$	N8	Low	Input	BVSEL
TBEN	L3	High	Input	BVSEL
$\overline{\text{TBST}}$	B7	Low	Output	BVSEL
TCK	J7	High	Input	BVSEL
TDI <sup>(7)</sup>	E4	High	Input	BVSEL
TDO	H1	High	Output	BVSEL
$\overline{\text{TEA}}$	T1	Low	Input	BVSEL

**Table 17.** Pinout Listing for the PC7457, 483 CBGA Package (Continued)

Signal Name	Pin Number	Active	I/O	I/F Select <sup>(1)</sup>
TEST[0:5] <sup>(13)</sup>	B10, H6, H10, D8, F9, F8	–	Input	BVSEL
TEST[6] <sup>(10)</sup>	A9	–	Input	BVSEL
TMS <sup>(7)</sup>	K4	High	Input	BVSEL
$\overline{\text{TRST}}$ <sup>(7)(16)</sup>	C1	Low	Input	BVSEL
$\overline{\text{TS}}$ <sup>(3)</sup>	P5	Low	I/O	BVSEL
TSIZ[0:2]	L1,H3,D1	High	Output	BVSEL
TT[0:4]	F1, F4, K8, A5, E1	High	I/O	BVSEL
$\overline{\text{WT}}$ <sup>(3)</sup>	L2	Low	Output	BVSEL
V <sub>DD</sub>	J9, J11, J13, J15, K10, K12, K14, L9, L11, L13, L15, M10, M12, M14, N9, N11, N13, N15, P10, P12, P14	–	–	N/A
VDD_SENSE[0:1] <sup>(17)</sup>	G11, J8	–	–	N/A

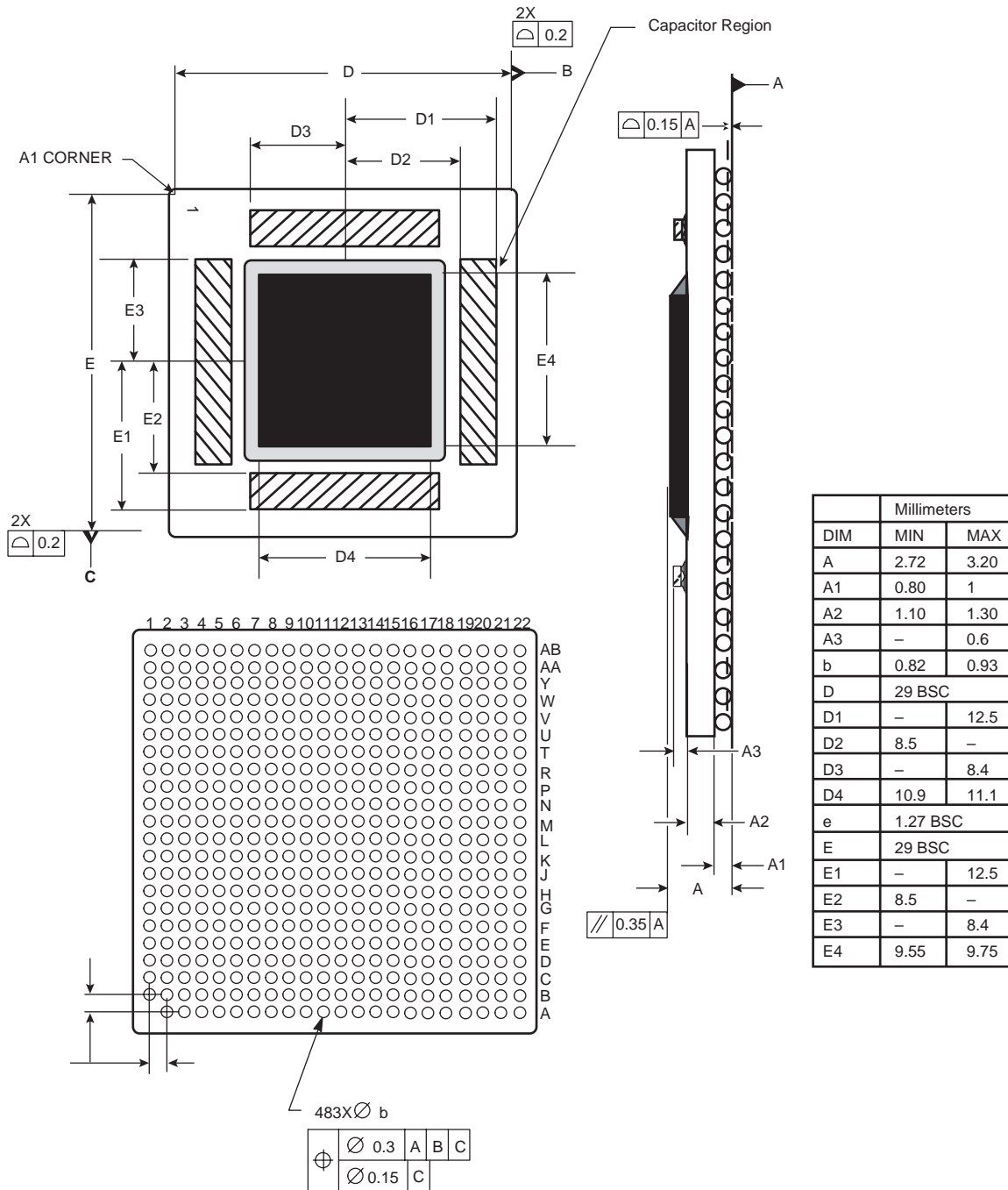
- Notes:
1. OV<sub>DD</sub> supplies power to the processor bus, JTAG, and all control signals except the L3 cache controls (L3CTL[0:1]); GV<sub>DD</sub> supplies power to the L3 cache interface (L3ADDR[0:17], L3DATA[0:63], L3DP[0:7], L3\_ECHO\_CLK[0:3], and L3\_CLK[0:1]) and the L3 control signals L3\_CNTL[0:1]; and V<sub>DD</sub> supplies power to the processor core and the PLL (after filtering to become AV<sub>DD</sub>). For actual recommended value of V<sub>IN</sub> or supply voltages, see Table 3 on page 12.
  2. Unused address pins must be pulled down to GND.
  3. These pins require weak pull-up resistors (for example, 4.7 k $\Omega$ ) to maintain the control signals in the negated state after they have been actively negated and released by the PC7457 and other bus masters.
  4. This signal selects between MPX bus mode (asserted) and 60x bus mode (negated) and will be sampled at  $\overline{\text{HRESET}}$  going high.
  5. This signal must be negated during reset, by pull up to OV<sub>DD</sub> or negation by  $\overline{\text{HRESET}}$  (inverse of  $\overline{\text{HRESET}}$ ), to ensure proper operation.
  6. To program the processor interface I/O voltage, connect BVSEL to either GND (selects 1.8V) or to  $\overline{\text{HRESET}}$  (selects 2.5V). To program the L3 interface, connect L3VSEL to either GND (selects 1.8V) or to  $\overline{\text{HRESET}}$  (selects 2.5V). If used, pull-down resistors should be less than 250 $\Omega$ .
  7. Internal pull up on die.
  8. Ignored in 60x bus mode.
  9. These signals must be pulled down to GND if unused or if the PC7457 is in 60x bus mode.
  10. These input signals for factory use only and must be pulled down to GND for normal machine operation.
  11. Power must be supplied to GV<sub>DD</sub>, even when the L3 interface is disabled or unused.
  12. It is recommended that this test signal be tied to  $\overline{\text{HRESET}}$ ; however, other configurations will not adversely affect performance.
  13. These input signals are for factory use only and must be pulled up to OV<sub>DD</sub> for normal machine operation.
  14. These signals are for factory use only and must be left unconnected for normal machine operation.
  15. This pin can externally cause a performance monitor event. Counting of the event is enabled via software.
  16. This signal must be asserted during reset, by pull down to GND or assertion by  $\overline{\text{HRESET}}$ , to ensure proper operation.
  17. These pins are internally connected to V<sub>DD</sub>. They are intended to allow an external device to detect the core voltage level present at the processor core. If unused, they must be connected directly to V<sub>DD</sub> or left unconnected.



### Mechanical Dimensions for the PC7457, 483 CBGA

Figure 25 provides the mechanical dimensions and bottom surface nomenclature for the PC7457, 483 CBGA package.

**Figure 29.** Mechanical Dimensions and Bottom Surface Nomenclature for the PC7457, 483 CBGA Package

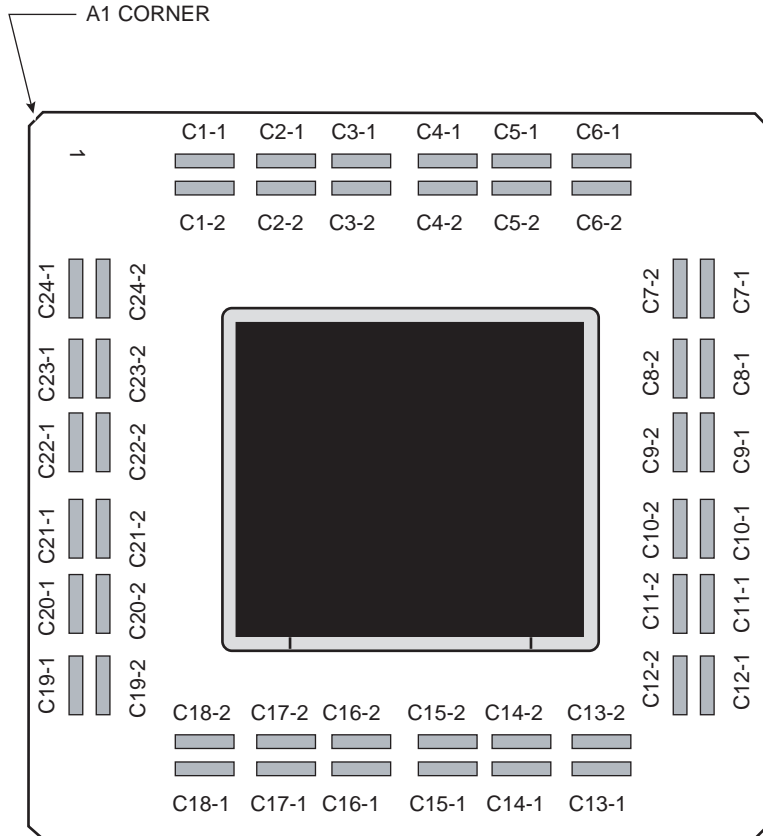


- Notes:
1. Dimensioning and tolerancing per ASME Y14.5M, 1994
  2. Dimensions in millimeters
  3. Top side A1 corner index is a metallized feature with various shapes. Bottom side. A1 corner is designated with a ball missing from the array

## Substrate Capacitors for the PC7457, 483 CBGA

Figure 26 shows the connectivity of the substrate capacitor pads for the PC7457, 483 CBGA. All capacitors are 100 nF.

**Figure 30.** Substrate Bypass Capacitors for the PC7457, 483 CBGA



Capacitor	Pad Number	
	-1	-2
C1	GND	OV <sub>DD</sub>
C2	GND	V <sub>DD</sub>
C3	GND	GV <sub>DD</sub>
C4	GND	V <sub>DD</sub>
C5	GND	V <sub>DD</sub>
C6	GND	GV <sub>DD</sub>
C7	GND	V <sub>DD</sub>
C8	GND	V <sub>DD</sub>
C9	GND	GV <sub>DD</sub>
C10	GND	V <sub>DD</sub>
C11	GND	V <sub>DD</sub>
C12	GND	GV <sub>DD</sub>
C13	GND	V <sub>DD</sub>
C14	GND	V <sub>DD</sub>
C15	GND	V <sub>DD</sub>
C16	GND	OV <sub>DD</sub>
C17	GND	V <sub>DD</sub>
C18	GND	OV <sub>DD</sub>
C19	GND	V <sub>DD</sub>
C20	GND	V <sub>DD</sub>
C21	GND	OV <sub>DD</sub>
C22	GND	V <sub>DD</sub>
C23	GND	V <sub>DD</sub>
C24	GND	V <sub>DD</sub>

## System Design Information

This section provides system and thermal design recommendations for successful application of the PC7457.

## PLL Configuration

The PC7457 PLL is configured by the PLL\_CFG[0:4] signals. For a given SYSCLK (bus) frequency, the PLL configuration signals set the internal CPU and VCO frequency of operation. The PLL configuration for the PC7457 is shown in Table 18 for a set of example frequencies. In this example, shaded cells represent settings that, for a given SYSCLK frequency, result in core and/or VCO frequencies that don't comply with the 1 GHz column in Table 8 on page 20.

**Table 18.** PC7457 Microprocessor PLL Configuration Example for 1267 MHz Parts

PLL_CFG[0:4]	Example Bus-to-Core Frequency in MHz (VCO Frequency in MHz)									
	Bus-to-Core Multiplier	Core-to-VCO Multiplier	Bus (SYSCLK) Frequency							
			33.3 MHz	50 MHz	66.6 MHz	75 MHz	83 MHz	100 MHz	133 MHz	167 MHz
01000	2x	2x								
10000	3x	2x								
10100	4x	2x								667 (1333)
10110	5x	2x							667 (1333)	835 (1670)
10010	5.5x	2x							733 (1466)	919 (1837)
11010	6x	2x						600 (1200)	800 (1600)	1002 (2004)
01010	6.5x	2x						650 (1300)	866 (1730)	1086 (2171)
00100	7x	2x						700 (1400)	931 (1862)	1169 (2338)
00010	7.5x	2x					623 (1245)	750 (1500)	1000 (2000)	1253 (2505)
11000	8x	2x				600 (1200)	664 (1328)	800 (1600)	1064 (2128)	
01100	8.5x	2x				638 (1276)	706 (1412)	850 (1700)	1131 (2261)	
01111	9x	2x			600 (1200)	675 (1350)	747 (1494)	900 (1800)	1197 (2394)	
01110	9.5x	2x			633 (1266)	712 (1524)	789 (1578)	950 (1900)	1264 (2528)	
10101	10x	2x			667 (1333)	750 (1500)	830 (1660)	1000 (2000)		
10001	10.5x	2x			700 (1400)	938 (1876)	872 (1744)	1050 (2100)		

**Table 18. PC7457 Microprocessor PLL Configuration Example for 1267 MHz Parts (Continued)**

PLL_CFG[0:4]	Example Bus-to-Core Frequency in MHz (VCO Frequency in MHz)									
	Bus-to-Core Multiplier	Core-to-VCO Multiplier	Bus (SYSCLK) Frequency							
			33.3 MHz	50 MHz	66.6 MHz	75 MHz	83 MHz	100 MHz	133 MHz	167 MHz
10011	11x	2x			733 (1466)	825 (1650)	913 (1826)	1100 (2200)		
00000	11.5x	2x			766 (532)	863 (1726)	955 (1910)	1150 (2300)		
10111	12x	2x		600 (1200)	800 (1600)	900 (1800)	996 (1992)	1200 (2400)		
11111	12.5x	2x		600 (1200)	833 (1666)	938 (1876)	1038 (2076)	1250 (2500)		
01011	13x	2x		650 (1300)	865 (1730)	975 (1950)	1079 (2158)			
11100	13.5x	2x		675 (1350)	900 (1800)	1013 (2026)	1121 (2242)			
11001	14x	2x		700 (1400)	933 (1866)	1050 (2100)	1162 (2324)			
00011	15x	2x		750 (1500)	1000 (2000)	1125 (2250)	1245 (2490)			
11011	16x	2x		800 (1600)	1066 (2132)	1200 (2400)				
00001	17x	2x		850 (1900)	1132 (2264)					
00101	18x	2x	600 (1200)	900 (1800)	1200 (2400)					
00111	20x	2x	667 (1334)	1000 (2000)						
01001	21x	2x	700 (1400)	1050 (2100)						
01101	24x	2x	800 (1600)	1200 (2400)						
11101	28x	2x	933 (1866)							
00110	PLL bypass		PLL off, SYSCLK clocks core circuitry directly							
11110	PLL off		PLL off, no core clocking occurs							

- Notes:
1. PLL\_CFG[0:4] settings not listed are reserved.
  2. The sample bus-to-core frequencies shown are for reference only. Some PLL configurations may select bus, core, or VCO frequencies which are not useful, not supported, or not tested for by the PC7455; See "Clock AC Specifications" on page 20. for valid SYSCLK, core, and VCO frequencies.
  3. In PLL-bypass mode, the SYSCLK input signal clocks the internal processor directly and the PLL is disabled. However, the bus interface unit requires a 2x clock to function. Therefore, an additional signal, EXT\_QUAL, must be driven at one-half the frequency of SYSCLK and offset in phase to meet the required input setup  $t_{V_{KH}}$  and hold time  $t_{X_{KH}}$  (see Table 9 on page 22). The result is that the processor bus frequency is one-half SYSCLK while the internal processor is clocked at SYSCLK frequency. This mode is intended for factory use and emulator tool use only.  
Note: The AC timing specifications given in this document do not apply in PLL-bypass mode.

- In PLL-off mode, no clocking occurs inside the PC7455 regardless of the SYSCLK input.

The PC7457 generates the clock for the external L3 synchronous data SRAMs by dividing the core clock frequency of the PC7457. The core-to-L3 frequency divisor for the L3 PLL is selected through the L3\_CLK bits of the L3CR register. Generally, the divisor must be chosen according to the frequency supported by the external RAMs, the frequency of the PC7457 core, and timing analysis of the circuit board routing.

Table 19 shows various example L3 clock frequencies that can be obtained for a given set of core frequencies.

**Table 19.** Sample Core-to-L3 Frequencies<sup>(1)</sup>

Core Frequency (MHz)	÷2	÷2.5	÷3	÷3.5	÷4	÷4.5	÷5	÷5.5	÷6	÷6.5	÷7	÷7.5	÷8
500	250	200	167	143	125	111	100	91	83	77	71	67	63
533	266	213	178	152	133	118	107	97	89	82	76	71	67
550	275	220	183	157	138	122	110	100	92	85	79	73	69
600	300	240	200	171	150	133	120	109	100	92	86	80	75
650	325	260	217	186	163	144	130	118	108	100	93	87	81
666	333	266	222	190	167	148	133	121	111	102	95	89	83
700	350	280	233	200	175	156	140	127	117	108	100	93	88
733	367	293	244	209	183	163	147	133	122	113	105	98	92
800	400	320	266	230	200	178	160	145	133	123	114	107	100
866	433	347	289	248	217	192	173	157	145	133	124	115	108
933	467	373	311	266	233	207	187	170	156	144	133	124	117
1000	500	400	333	285	250	222	200	182	166	154	143	133	125
1050 <sup>(2)</sup>	525	420	350	300	263	233	191	191	175	162	150	140	131
1100 <sup>(2)</sup>	550	440	367	314	275	244	200	200	183	169	157	147	138
1150 <sup>(2)</sup>	575	460	383	329	288	256	209	209	192	177	164	153	144
1200 <sup>(2)</sup>	600	480	400	343	300	267	218	218	200	185	171	160	150
1250 <sup>(2)</sup>	638	500	417	357	313	278	227	227	208	192	179	167	156
1300 <sup>(2)</sup>	650	520	433	371	325	289	236	236	217	200	186	173	163

- Notes:
- The core and L3 frequencies are for reference only. Note that maximum L3 frequency is design dependent. Some examples may represent core or L3 frequencies which are not useful, not supported, or not tested for the PC7457; see “L3 Clock AC Specifications” on page 24 for valid L3\_CLK frequencies and for more information regarding the maximum L3 frequency.
  - These core frequencies are not supported by all speed grades; see Table 8 on page 20.

## PLL Power Supply Filtering

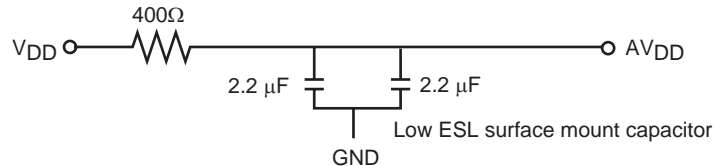
The  $AV_{DD}$  power signal is provided on the PC7457 to provide power to the clock generation PLL. To ensure stability of the internal clock, the power supplied to the  $AV_{DD}$  input signal should be filtered of any noise in the 500 kHz to 10 MHz resonant frequency range of the PLL. A circuit similar to the one shown in Figure 29 using surface mount capacitors with minimum effective series inductance (ESL) is recommended.

The circuit should be placed as close as possible to the  $AV_{DD}$  pin to minimize noise coupled from nearby circuits. It is often possible to route directly from the capacitors to the  $AV_{DD}$  pin, which is on the periphery of the 360 CBGA footprint and very close to the periphery of the 483 CBGA footprint, without the inductance of vias.

The PLL power supply filter provided in the PC7457 RISC Microprocessor Hardware Specifications has been found to be less effective for Rev 1.1 devices with the low core voltages described in this specification.

As a result, the recommended value for the resistor in the circuit is being evaluated and a new recommendation is indicated in Figure 31. Motorola continues to evaluate the filtering requirements of the PC7457 and will make updated recommendations as needed. Note that this recommendation applies to Rev. 1.1 devices only.

**Figure 31.** PLL Power Supply Filter Circuit



## Decoupling Recommendations

Due to the PC7457 dynamic power management feature, large address and data buses, and high operating frequencies, the PC7457 can generate transient power surges and high frequency noise in its power supply, especially while driving large capacitive loads. This noise must be prevented from reaching other components in the PC7457 system, and the PC7457 itself requires a clean, tightly regulated source of power. Therefore, it is recommended that the system designer place at least one decoupling capacitor at each  $V_{DD}$ ,  $OV_{DD}$ , and  $GV_{DD}$  pin of the PC7457. It is also recommended that these decoupling capacitors receive their power from separate  $V_{DD}$ ,  $OV_{DD}/GV_{DD}$ , and GND power planes in the PCB, utilizing short traces to minimize inductance.

These capacitors should have a value of 0.01 or 0.1  $\mu\text{F}$ . Only ceramic surface mount technology (SMT) capacitors should be used to minimize lead inductance, preferably 0508 or 0603 orientations where connections are made along the length of the part. Consistent with the recommendations of Dr. Howard Johnson in High Speed Digital Design: A Handbook of Black Magic (Prentice Hall, 1993) and contrary to previous recommendations for decoupling Motorola microprocessors, multiple small capacitors of equal value are recommended over using multiple values of capacitance.

In addition, it is recommended that there be several bulk storage capacitors distributed around the PCB, feeding the  $V_{DD}$ ,  $GV_{DD}$ , and  $OV_{DD}$  planes, to enable quick recharging of the smaller chip capacitors. These bulk capacitors should have a low equivalent series resistance (ESR) rating to ensure the quick response time necessary. They should also be connected to the power and ground planes through two vias to minimize inductance. Suggested bulk capacitors: 100 – 330  $\mu\text{F}$  (AVX TPS tantalum or Sanyo OSCON).

## Connection Recommendations

To ensure reliable operation, it is highly recommended to connect unused inputs to an appropriate signal level. Unused active low inputs should be tied to  $OV_{DD}$ . Unused active high inputs should be connected to GND. All NC (no-connect) signals must remain unconnected. Power and ground connections must be made to all external  $V_{DD}$ ,  $OV_{DD}$ ,  $GV_{DD}$ , and GND pins in the PC7457. If the L3 interface is not used,  $GV_{DD}$  should be connected to the  $OV_{DD}$  power plane, and L3VSEL should be connected to BVSEL; the remainder of the L3 interface may be left unterminated.

## Output Buffer DC Impedance

The PC7457 processor bus and L3 I/O drivers are characterized over process, voltage, and temperature.

To measure  $Z_0$ , an external resistor is connected from the chip pad to  $OV_{DD}$  or GND. Then, the value of each resistor is varied until the pad voltage is  $OV_{DD}/2$  (see Figure 30 on page 50).

The output impedance is the average of two components, the resistances of the pull-up and pull-down devices. When data is held low, SW2 is closed (SW1 is open), and RN is trimmed until the voltage at the pad equals  $OV_{DD}/2$ . RN then becomes the resistance of the pull-down devices. When data is held high, SW1 is closed (SW2 is open), and RP is trimmed until the voltage at the pad equals  $OV_{DD}/2$ . RP then becomes the resistance of the pull-up devices. RP and RN are designed to be close to each other in value. Then,  $Z_0 = (RP + RN)/2$ .

**Figure 32.** Driver Impedance Measurement

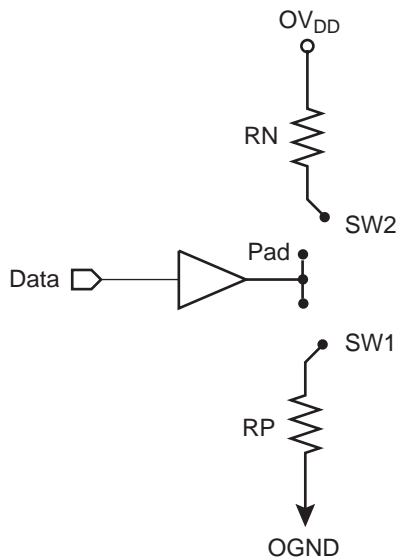


Table 20 summarizes the signal impedance results. The impedance increases with junction temperature and is relatively unaffected by bus voltage.

**Table 20.** Impedance Characteristics with  $V_{DD} = 1.5V$ ,  $OV_{DD} = 1.8V \pm 5\%$ ,  $T_j = 5^\circ - 85^\circ C$

Impedance		Processor bus	L3 Bus	Unit
$Z_0$	Typical	33 – 42	34 – 42	$\Omega$
	Maximum	31 – 51	32 – 44	$\Omega$

## Pull-up/Pull-down Resistor Requirements

The PC7457 requires high-resistive (weak: 4.7 k $\Omega$ ) pull-up resistors on several control pins of the bus interface to maintain the control signals in the negated state after they have been actively negated and released by the PC7457 or other bus masters. These pins are TS, ARTRY, SHDO, and SHD1.

Some pins designated as being for factory test must be pulled up to OVDD or down to GND to ensure proper device operation. For the PC7447, 360 BGA, the pins that must be pulled up to OVDD are LSSD\_MODE and TEST[0:3]; the pins that must be pulled down to GND are L1\_TSTCLK and TEST[4]. For the PC7457, 483 BGA, the pins that must be pulled up to OVDD are LSSD\_MODE and TEST[0:5]; the pins that must be pulled down are L1\_TSTCLK and TEST[6]. The CKSTP\_IN signal should likewise be pulled up through a pull-up resistor (weak or stronger: 4.7 – 1 k $\Omega$ ) to prevent erroneous assertions of this signal. In addition, the PC7457 has one open-drain style output that requires a pull-up resistor (weak or stronger: 4.7 – 1 k $\Omega$ ) if it is used by the system. This pin is CKSTP\_OUT.

If pull-down resistors are used to configure BVSEL or L3VSEL, the resistors should be less than 250 $\Omega$  (see Table 16 on page 40). Because PLL\_CFG[0:4] must remain stable during normal operation, strong pull-up and pull-down resistors (1 k $\Omega$  or less) are recommended to configure these signals in order to protect against erroneous switching due to ground bounce, power supply noise or noise coupling.

During inactive periods on the bus, the address and transfer attributes may not be driven by any master and may, therefore, float in the high-impedance state for relatively long periods of time. Because the PC7457 must continually monitor these signals for snooping, this float condition may cause excessive power draw by the input receivers on the PC7457 or by other receivers in the system. It is recommended that these signals be pulled up through weak (4.7 k $\Omega$ ) pull-up resistors by the system, or that they may be otherwise driven by the system during inactive periods of the bus. The snooped address and transfer attribute inputs are A[0:35], AP[0:4], TT[0:4], CI, WT, and GBL.

If extended addressing is not used, A[0:3] are unused and must be pulled low to GND through weak pull-down resistors. If the PC7457 is in 60x bus mode, DTI[0:3] must be pulled low to GND through weak pull-down resistors.

The data bus input receivers are normally turned off when no read operation is in progress and, therefore, don't require pull-up resistors on the bus. Other data bus receivers in the system, however, may require pull-ups, or that those signals be otherwise driven by the system during inactive periods by the system. The data bus signals are D[0:63] and DP[0:7].

If address or data parity is not used by the system, and the respective parity checking is disabled through HIDO, the input receivers for those pins are disabled, and those pins don't require pull-up resistors and should be left unconnected by the system. If all parity generation is disabled through HIDO, then all parity checking should also be disabled through HIDO, and all parity pins may be left unconnected by the system.

The L3 interface does not normally require pull-up resistors.



## JTAG Configuration Signals

Boundary-scan testing is enabled through the JTAG interface signals. The  $\overline{\text{TRST}}$  signal is optional in the IEEE 1149.1 specification, but is provided on all processors that implement the PowerPC architecture. While it is possible to force the TAP controller to the reset state using only the TCK and TMS signals, more reliable power-on reset performance will be obtained if the  $\overline{\text{TRST}}$  signal is asserted during power-on reset. Because the JTAG interface is also used for accessing the common on-chip processor (COP) function, simply tying  $\overline{\text{TRST}}$  to HRESET is not practical.

The COP function of these processors allows a remote computer system (typically, a PC with dedicated hardware and debugging software) to access and control the internal operations of the processor. The COP interface connects primarily through the JTAG port of the processor, with some additional status monitoring signals. The COP port requires the ability to independently assert HRESET or  $\overline{\text{TRST}}$  in order to fully control the processor. If the target system has independent reset sources, such as voltage monitors, watchdog timers, power supply failures, or push-button switches, then the COP reset signals must be merged into these signals with logic.

The arrangement shown in Figure 31 allows the COP port to independently assert HRESET or  $\overline{\text{TRST}}$ , while ensuring that the target can drive HRESET as well. If the JTAG interface and COP header will not be used,  $\overline{\text{TRST}}$  should be tied to HRESET through a 0 $\Omega$  isolation resistor so that it is asserted when the system reset signal (HRESET) is asserted, ensuring that the JTAG scan chain is initialized during power-on. While Motorola recommends that the COP header be designed into the system as shown in Figure 31 on page 54, if this is not possible, the isolation resistor will allow future access to  $\overline{\text{TRST}}$  in the case where a JTAG interface may need to be wired onto the system in debug situations.

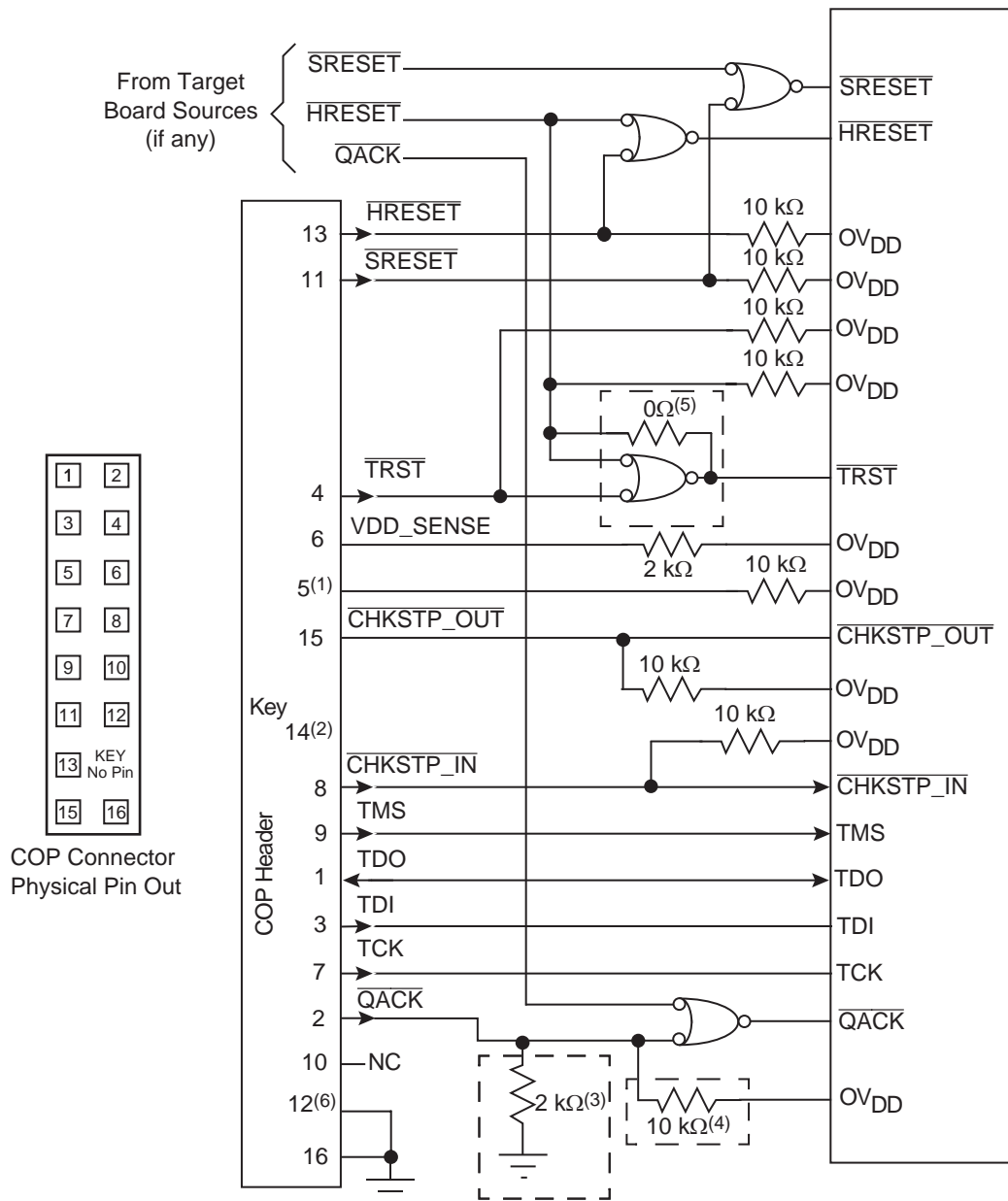
The COP header shown in Figure 31 adds many benefits – breakpoints, watchpoints, register and memory examination/modification, and other standard debugger features are possible through this interface – and can be as inexpensive as an unpopulated footprint for a header to be added when needed.

The COP interface has a standard header for connection to the target system, based on the 0.025" square-post, 0.100" centered header assembly (often called a Berg header). The connector typically has pin 14 removed as a connector key.

There is no standardized way to number the COP header shown in Figure 31; consequently, many different pin numbers have been observed from emulator vendors. Some are numbered top-to-bottom then left-to-right, while others use left-to-right then top-to-bottom, while still others number the pins counter clockwise from pin 1 (as with an IC). Regardless of the numbering, the signal placement recommended in Figure 31 is common to all known emulators.

The  $\overline{\text{QACK}}$  signal shown in Figure 31 is usually connected to the PCI bridge chip in a system and is an input to the PC7457 informing it that it can go into the quiescent state. Under normal operation this occurs during a low-power mode selection. In order for COP to work, the PC7457 must see this signal asserted (pulled down). While shown on the COP header, not all emulator products drive this signal. If the product does not, a pull-down resistor can be populated to assert this signal. Additionally, some emulator products implement open-drain type outputs and can only drive  $\overline{\text{QACK}}$  asserted; for these tools, a pull-up resistor can be implemented to ensure this signal is deasserted when it is not being driven by the tool. Note that the pull-up and pull-down resistors on the  $\overline{\text{QACK}}$  signal are mutually exclusive and it is never necessary to populate both in a system. To preserve correct power-down operation,  $\overline{\text{QACK}}$  should be merged via logic so that it also can be driven by the PCI bridge.

Figure 33. JTAG Interface Connection



- Notes:
1. RUN/STOP, normally found on pin 5 of the COP header, is not implemented on the PC7457. Connect pin 5 of the COP header to OV<sub>DD</sub> with a 10 kΩ pull-up resistor.
  2. Key location; pin 14 is not physically present on the COP header.
  3. Component not populated. Populate only if debug tool does not drive QACK.
  4. Populate only if debug tool uses an open-drain type output and does not actively deassert QACK.
  5. If the JTAG interface is implemented, connect HRESET from the target source to TRST from the COP header through an AND gate to TRST of the part. If the JTAG interface is not implemented, connect HRESET from the target source to TRST of the part through a 0Ω isolation resistor.
  6. Though defined as a No-Connect, it is a common and recommended practice to use pin 12 as an additional GND pin for improved signal integrity.

## Definitions

### Datasheet Status Description

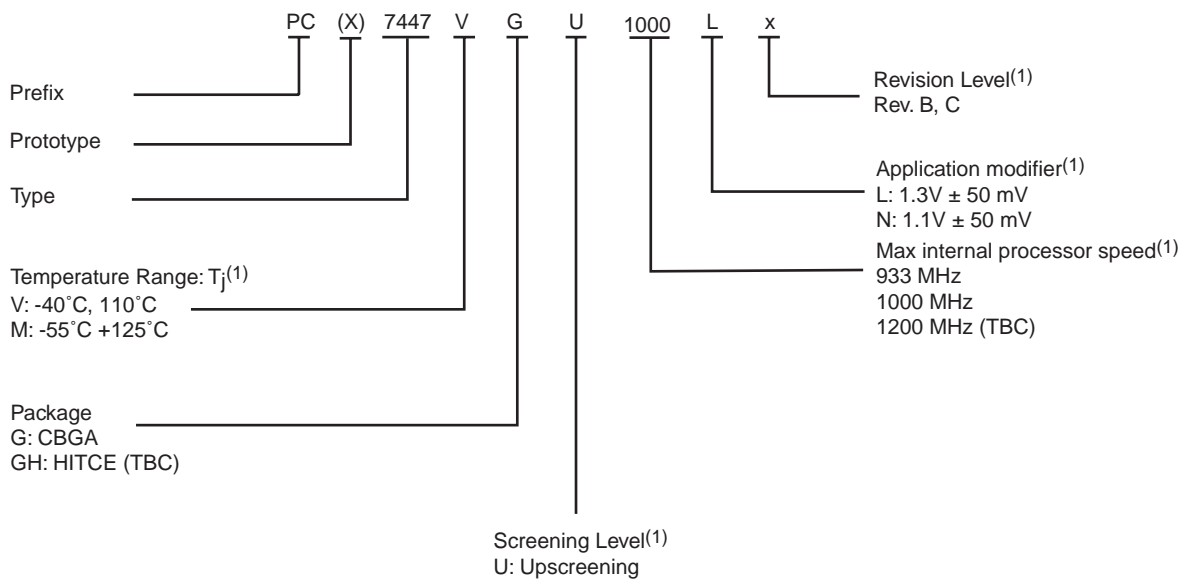
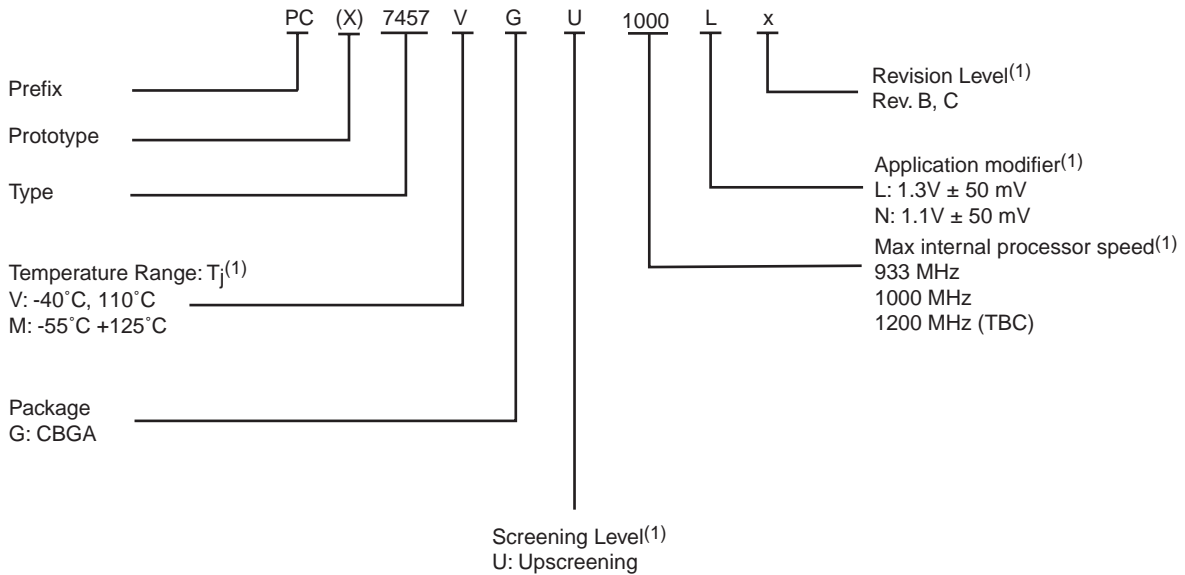
Table 21. Datasheet Status

Datasheet Status		Validity
Objective specification	This datasheet contains target and goal specifications for discussion with customer and application validation.	Before design phase
Target specification	This datasheet contains target or goal specifications for product development.	Valid during the design phase
Preliminary specification $\alpha$ -site	This datasheet contains preliminary data. Additional data may be published later; could include simulation results.	Valid before characterization phase
Preliminary specification $\beta$ -site	This datasheet also contains characterization results.	Valid before the industrialization phase
Product specification	This datasheet contains final product specification.	Valid for production purposes
<b>Limiting Values</b>		
Limiting values given are in accordance with the Absolute Maximum Rating System (IEC 134). Stress above one or more of the limiting values may cause permanent damage to the device. These are stress ratings only and operation of the device at these or at any other conditions above those given in the Characteristics sections of the specification is not implied. Exposure to limiting values for extended periods may affect device reliability.		
<b>Application Information</b>		
Where application information is given, it is advisory and does not form part of the specification.		

### Life Support Applications

These products are not designed for use in life support appliances, devices or systems where malfunction of these products can reasonably be expected to result in personal injury. Atmel customers using or selling these products for use in such applications do so at their own risk and agree to fully indemnify Atmel for any damages resulting from such improper use or sale.

## Ordering Information



Note: 1. For availability of the different versions, contact your local Atmel sales office.

**Document Revision History** Table 22 provides a revision history for this hardware specification.

**Table 22.** Document Revision History

Revision Number	Substantive Change(s)
B	Figure 9 on page 22: Corrected pin lists for input and output AC timing to correctly show $\overline{HIT}$ as an output-only signal
	Added specifications for 1267 MHz devices; removed specs for 1300 MHz devices.
	Changed recommendations regarding use of L3 clock jitter in AC timing analysis in Section “L3 Clock AC Specifications” on page 24; the L3 jitter is now fully comprehended in the AC timing specs and does not need to be included in the timing analysis



**Table of Contents**

*Features* ..... 1

*Description* ..... 1

*Screening* ..... 2

*Block Diagram* ..... 3

*General Parameters* ..... 4

*Features* ..... 4

*Signal Description* ..... 10

*Detailed Specification* ..... 11

*Scope* ..... 11

*Applicable Documents* ..... 11

*Requirements* ..... 11

    General ..... 11

    Design and Construction ..... 11

    Absolute Maximum Ratings ..... 11

    Recommended Operating Conditions ..... 12

    Thermal Characteristics ..... 13

*Electrical Characteristics* ..... 19

    Static Characteristics ..... 19

    Dynamic Characteristics ..... 20

*Preparation for Delivery* ..... 37

*Handling* ..... 37

*Package Mechanical Data* ..... 38

    Package Parameters for the PC7447, 360 CBGA ..... 38

*Pin Assignment* ..... 39

*Pinout Listings* ..... 40

*Mechanical Dimensions for the PC7447, 360 CBGA* ..... 43

*Substrate Capacitors for the PC7447, 360 CBGA* ..... 44



<b><i>Package Parameters for the PC7457, 483 CBGA .....</i></b>	<b><i>44</i></b>
<b><i>Mechanical Dimensions for the PC7457, 483 CBGA .....</i></b>	<b><i>49</i></b>
<b><i>Substrate Capacitors for the PC7457, 483 CBGA.....</i></b>	<b><i>50</i></b>
<b><i>System Design Information .....</i></b>	<b><i>51</i></b>
<b><i>PLL Configuration .....</i></b>	<b><i>51</i></b>
PLL Power Supply Filtering .....	54
Decoupling Recommendations .....	54
Connection Recommendations.....	55
Output Buffer DC Impedance .....	55
Pull-up/Pull-down Resistor Requirements .....	56
JTAG Configuration Signals .....	57
<b><i>Definitions .....</i></b>	<b><i>59</i></b>
<b><i>Datasheet Status Description .....</i></b>	<b><i>59</i></b>
<b><i>Life Support Applications .....</i></b>	<b><i>59</i></b>
<b><i>Ordering Information.....</i></b>	<b><i>60</i></b>
<b><i>Document Revision History .....</i></b>	<b><i>61</i></b>







## Atmel Corporation

2325 Orchard Parkway  
San Jose, CA 95131, USA  
Tel: 1(408) 441-0311  
Fax: 1(408) 487-2600

## Regional Headquarters

### Europe

Atmel Sarl  
Route des Arsenalux 41  
Case Postale 80  
CH-1705 Fribourg  
Switzerland  
Tel: (41) 26-426-5555  
Fax: (41) 26-426-5500

### Asia

Room 1219  
Chinachem Golden Plaza  
77 Mody Road Tsimshatsui  
East Kowloon  
Hong Kong  
Tel: (852) 2721-9778  
Fax: (852) 2722-1369

### Japan

9F, Tonetsu Shinkawa Bldg.  
1-24-8 Shinkawa  
Chuo-ku, Tokyo 104-0033  
Japan  
Tel: (81) 3-3523-3551  
Fax: (81) 3-3523-7581

## Atmel Operations

### Memory

2325 Orchard Parkway  
San Jose, CA 95131, USA  
Tel: 1(408) 441-0311  
Fax: 1(408) 436-4314

### Microcontrollers

2325 Orchard Parkway  
San Jose, CA 95131, USA  
Tel: 1(408) 441-0311  
Fax: 1(408) 436-4314

La Chantrerie  
BP 70602  
44306 Nantes Cedex 3, France  
Tel: (33) 2-40-18-18-18  
Fax: (33) 2-40-18-19-60

### ASIC/ASSP/Smart Cards

Zone Industrielle  
13106 Rousset Cedex, France  
Tel: (33) 4-42-53-60-00  
Fax: (33) 4-42-53-60-01

1150 East Cheyenne Mtn. Blvd.  
Colorado Springs, CO 80906, USA  
Tel: 1(719) 576-3300  
Fax: 1(719) 540-1759

Scottish Enterprise Technology Park  
Maxwell Building  
East Kilbride G75 0QR, Scotland  
Tel: (44) 1355-803-000  
Fax: (44) 1355-242-743

### RF/Automotive

Theresienstrasse 2  
Postfach 3535  
74025 Heilbronn, Germany  
Tel: (49) 71-31-67-0  
Fax: (49) 71-31-67-2340

1150 East Cheyenne Mtn. Blvd.  
Colorado Springs, CO 80906, USA  
Tel: 1(719) 576-3300  
Fax: 1(719) 540-1759

### Biometrics/Imaging/Hi-Rel MPU/ High Speed Converters/RF Datacom

Avenue de Rochepleine  
BP 123  
38521 Saint-Egreve Cedex, France  
Tel: (33) 4-76-58-30-00  
Fax: (33) 4-76-58-34-80

---

## Literature Requests

[www.atmel.com/literature](http://www.atmel.com/literature)

**Disclaimer:** Atmel Corporation makes no warranty for the use of its products, other than those expressly contained in the Company's standard warranty which is detailed in Atmel's Terms and Conditions located on the Company's web site. The Company assumes no responsibility for any errors which may appear in this document, reserves the right to change devices or specifications detailed herein at any time without notice, and does not make any commitment to update the information contained herein. No licenses to patents or other intellectual property of Atmel are granted by the Company in connection with the sale of Atmel products, expressly or by implication. Atmel's products are not authorized for use as critical components in life support devices or systems.

© Atmel Corporation 2004. All rights reserved. Atmel® and combinations thereof are the registered trademarks of Atmel Corporation or its subsidiaries. PowerPC™ is the trademark of IBM Corporation. Motorola is the registered trademark of Motorola, Inc. AltiVec™ is a trademark of Motorola, Inc. Other terms and product names may be the trademarks of others.



Printed on recycled paper.

5345B-HIREL-02/04