

Dual Low Voltage PowerPath™ Switch Driver

February 1999

FEATURES

- Switches and Isolates Sources from 3.3V to 10V
- Power Path Management for Systems with Multiple DC Sources
- All N-Channel Switching to Reduce Power Losses and System Cost
- Built-In Step-Up Regulator for N-Channel Gate Drive
- Capacitor Inrush and Short-Circuit Current Limited
- User-Programmable Timer to Limit Switch Dissipation
- Small Footprint: 16-Pin Narrow SSOP

APPLICATIONS

- 3.3V/5V Power Management
- 3- or 4-Cell NiMH
- Portable Instruments
- Portable Medical Equipment
- Portable Industrial Control Equipment

DESCRIPTION

The LTC[®]1473L provides a power management solution for 3.3V and 5V systems with 3- or 4-cell NiMH batteries for backup. This device drives two sets of back-to-back N-channel MOSFET switches to route power to the input of a low voltage system. An internal boost regulator provides the voltage to fully enhance the logic-level N-channel MOSFET switches while an internal undervoltage lock-out circuit keeps the system alive down to one Shottky diode drop above 2.5V.

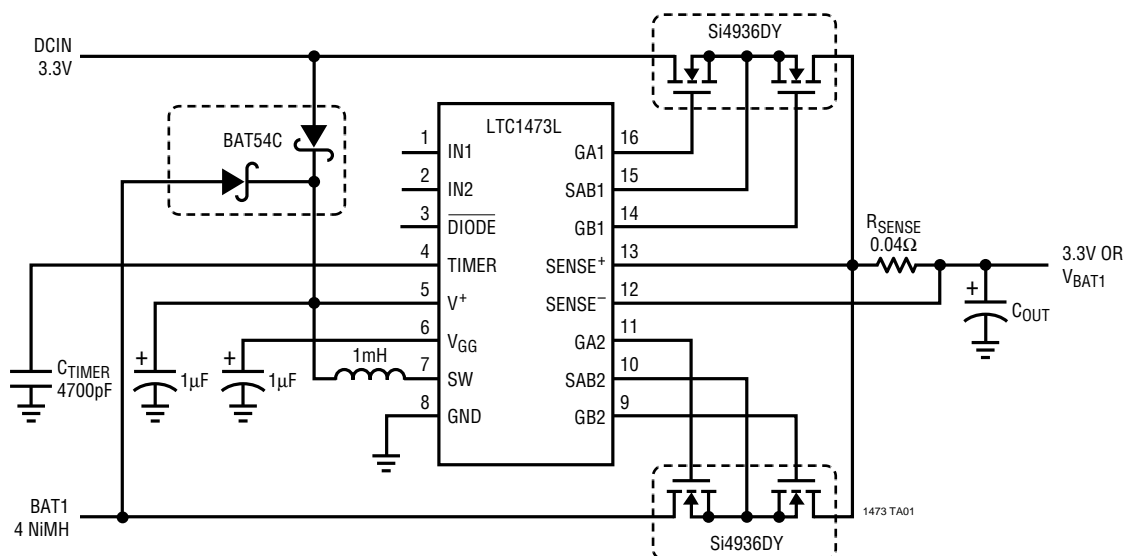
The LTC1473L uses a current sense loop to limit current rushing in and out of the batteries and the system supply capacitor during switch-over transitions or during a fault condition. A user-programmable timer monitors the time the MOSFET switches are in current limit and latches them off when the programmed time is exceeded.

A unique “2-diode” logic mode ensures system start-up regardless of which input receives power first.

LT, LTC and LT are registered trademarks of Linear Technology Corporation. PowerPath is a trademark of Linear Technology Corporation.

TYPICAL APPLICATION

3.3V to 4-Cell NiMH Backup Switch

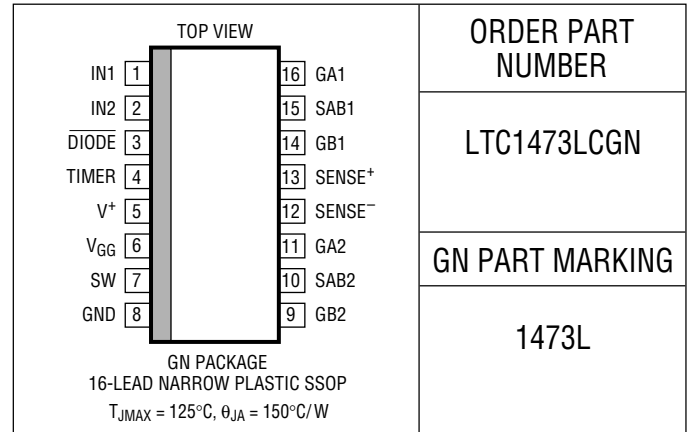


ABSOLUTE MAXIMUM RATINGS

(Note 1)

DCIN, BAT1, BAT2 Supply Voltage	-0.3 to 10V
SENSE ⁺ , SENSE ⁻ , V ⁺	-0.3 to 10V
GA1, GB1, GA2, GB2	-0.3 to 20V
SAB1, SAB2	-0.3 to 10V
SW, V _{GG}	-0.3 to 20V
IN1, IN2, DIODE	-0.3V to 7V
Junction Temperature (Note 2)	125°C
Operating Temperature Range	0°C to 70°C
Storage Temperature Range	-65°C to 150°C
Lead Temperature (Soldering, 10 sec)	300°C

PACKAGE/ORDER INFORMATION



Consult factory for Military and Industrial grade parts.

ELECTRICAL CHARACTERISTICS

Test circuit, T_A = 25°C, V⁺ = 5V, unless otherwise specified.

SYMBOL	PARAMETER	CONDITIONS	MIN	TYP	MAX	UNITS	
V ⁺	Supply Operating Range		2.7		9	V	
I _S	Supply Current	V _{IN1} = V _{DIODE} = 5V, V _{IN2} = 0V, V _{SENSE⁺} = V _{SENSE⁻} = 5V	●	100	200	μA	
V _{GG}	V _{GG} Gate Supply Voltage	V _{GG} - V ⁺ , 2.7V ≤ V ⁺ ≤ 10V (Note 3)	●	7.5	8.5	9.5	V
V ⁺ _{UVLO}	V ⁺ Undervoltage Lockout Threshold	V ⁺ Ramping Down	●	2.3	2.5	2.7	V
V ⁺ _{UVLOHYS}	V ⁺ Undervoltage Lockout Hysteresis			70		mV	
V _{HIDIGIN}	Digital Input Logic High		●	2	0.9	V	
V _{LODIGIN}	Digital Input Logic Low		●	0.6	0.4	V	
I _{IN}	Input Current	V _{IN1} = V _{IN2} = V _{DIODE} = 5V			±1	μA	
V _{GS(ON)}	Gate-to-Source ON Voltage	I _{GA1} = I _{GA2} = I _{GB1} = I _{GB2} = -1μA, V _{SAB1} = V _{SAB2} = 5V	●	4.5	5.6	7.0	V
V _{GS(OFF)}	Gate-to-Source OFF Voltage	I _{GA1} = I _{GA2} = I _{GB1} = I _{GB2} = 100μA, V _{SAB1} = V _{SAB2} = 5V	●	0	0.4	V	
I _{BSENSE⁺}	SENSE ⁺ Input Bias Current	V _{SENSE⁺} = V _{SENSE⁻} = 10V (Note 3) V _{SENSE⁺} = V _{SENSE⁻} = 0V (Note 4)	● ●	2 -300	4.5 -175	10 -75	μA μA
I _{BSENSE⁻}	SENSE ⁻ Input Bias Current	V _{SENSE⁺} = V _{SENSE⁻} = 10V (Note 3) V _{SENSE⁺} = V _{SENSE⁻} = 0V (Note 4)	● ●	2 -300	4.5 -175	10 -75	μA μA
V _{SENSE}	Inrush Current Limit Sense Voltage	V _{SENSE⁻} = 10V (V _{SENSE⁺} - V _{SENSE⁻}) (Note 3) V _{SENSE⁻} = 0V (V _{SENSE⁺} - V _{SENSE⁻})		0.15 0.10	0.20 0.20	0.25 0.30	V V
I _{PDSAB}	SAB1, SAB2 Pull-Down Current	V _{IN1} = V _{IN2} = V _{DIODE} = 0.4V, V ⁺ = 10V (Note 3) V _{IN1} = V _{IN2} = 0.4V, V _{DIODE} = 2V		5 30	20 140	35 300	μA μA
I _{TIMER}	Timer Source Current	V _{IN1} = 0.4V, V _{IN2} = V _{DIODE} = 2V, V _{TIMER} = 0V, V _{SENSE⁺} - V _{SENSE⁻} = 300mV	●	3	6	9	μA
V _{TIMER}	Timer Latch Threshold Voltage	V _{IN1} = 0.4V, V _{IN2} = V _{DIODE} = 2V	●	1.05	1.16	1.25	V
t _{ON}	Gate Drive Rise Time	C _{GS} = 1000pF, V _{SAB1} = V _{SAB2} = 0V (Note 5)		33		μs	
t _{OFF}	Gate Drive Fall Time	C _{GS} = 1000pF, V _{SAB1} = V _{SAB2} = 5V (Note 5)		2		μs	
t _{D1}	Gate Drive Turn-On Delay	C _{GS} = 1000pF, V _{SAB1} = V _{SAB2} = 0V (Note 5)		22		μs	
t _{D2}	Gate Drive Turn-Off Delay	C _{GS} = 1000pF, V _{SAB1} = V _{SAB2} = 5V (Note 5)		1		μs	
f _{OVGG}	V _{GG} Regulator Operating Frequency			30		kHz	

ELECTRICAL CHARACTERISTICS

The ● denotes the specifications which apply over the full operating temperature range.

Note 1: Absolute Maximum Ratings are those values beyond which the life of a device may be impaired.

Note 2: T_J is calculated from the ambient temperature T_A and power dissipation P_D according to the following formula:

$$T_J = T_A + (P_D)(150^\circ\text{C/W})$$

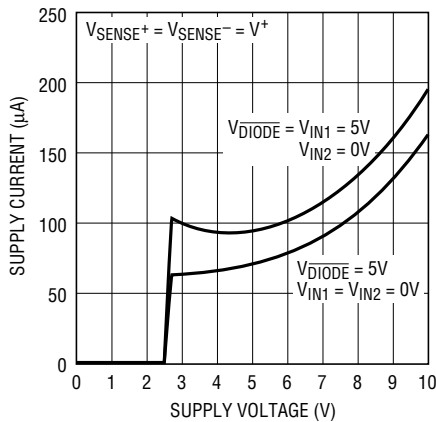
Note 3: Some tests are performed under more stringent conditions to ensure reliable operation over the entire supply voltage range.

Note 4: I_S increases by the same amount as $I_{BSENSE^+} + I_{BSENSE^-}$ when their common mode falls below 5V.

Note 5: Gate turn-on and turn-off times are measured with no inrush current limiting, i.e., $V_{SENSE} = 0V$. Gate rise times are measured from 1V to 4.5V and fall times are measured from 4.5V to 1V. Delay times are measured from the input transition to when the gate voltage has risen or fallen to 3V. Results are not tested, but guaranteed by design.

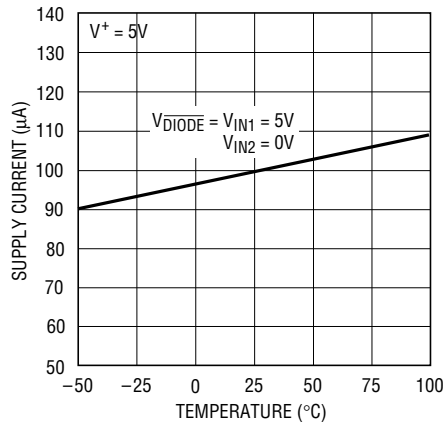
TYPICAL PERFORMANCE CHARACTERISTICS

DC Supply Current vs Supply Voltage



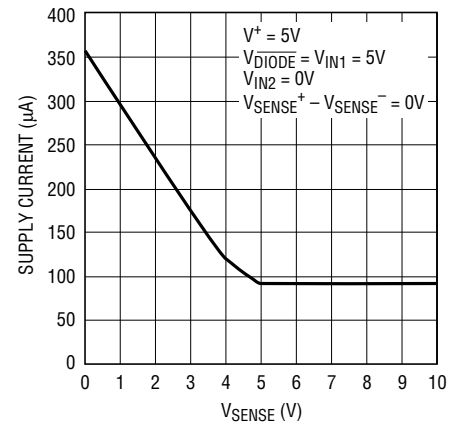
1473 G01

DC Supply Current vs Temperature



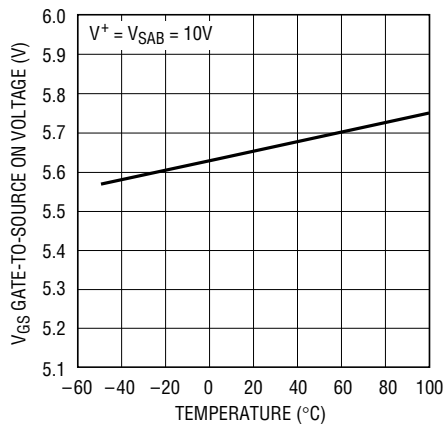
1473 G02

DC Supply Current vs V_SENSE



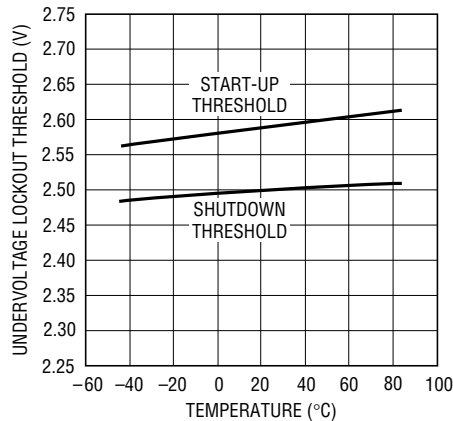
1473 G03

V_GS Gate-to-Source ON Voltage vs Temperature



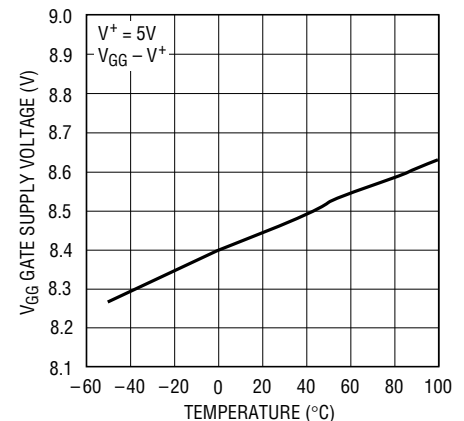
1473 G04

Undervoltage Lockout Threshold (V+) vs Temperature



1473 G05

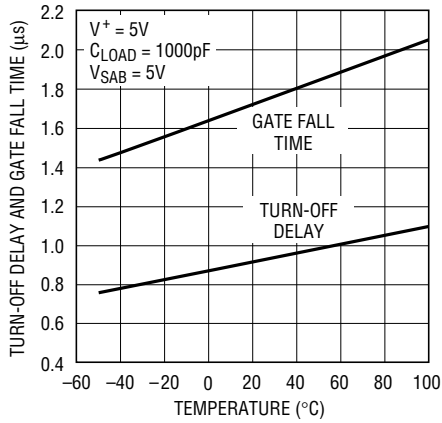
V_GG Gate Supply Voltage vs Temperature



1473 G06

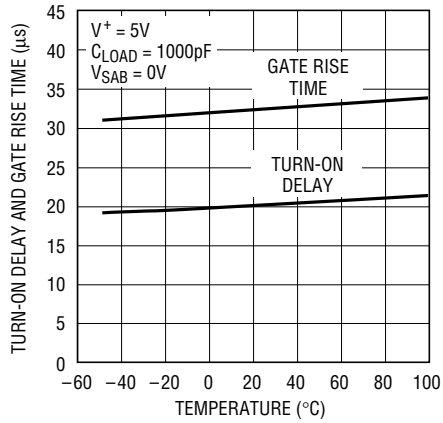
TYPICAL PERFORMANCE CHARACTERISTICS

Turn-Off Delay and Gate Fall Time vs Temperature



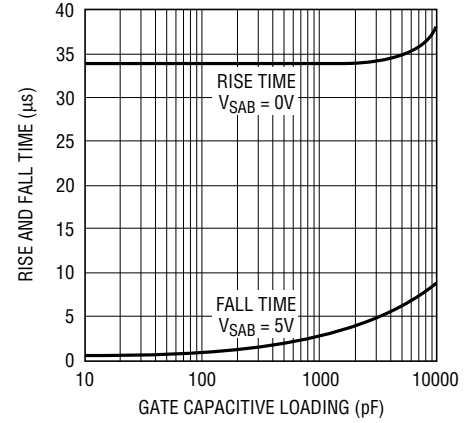
1473 G07

Turn-On Delay and Gate Rise Time vs Temperature



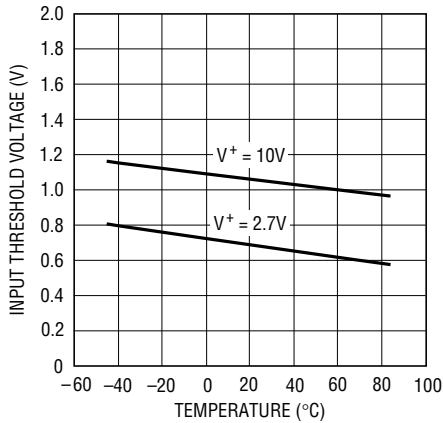
1473 G08

Rise and Fall Time vs Gate Capacitive Loading



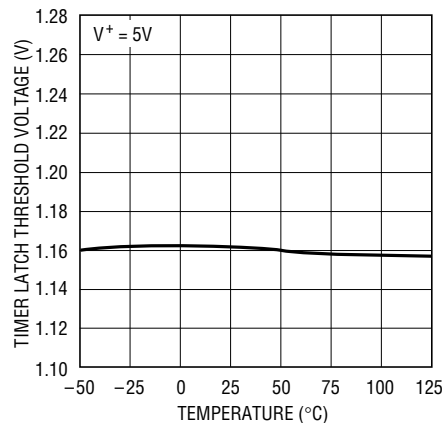
1473 G08

Logic Input Threshold Voltage vs Temperature



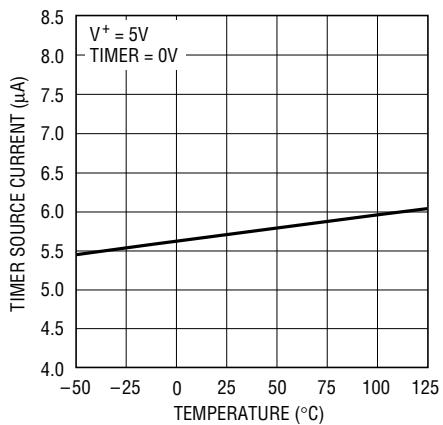
1473 G10

Timer Latch Threshold Voltage vs Temperature



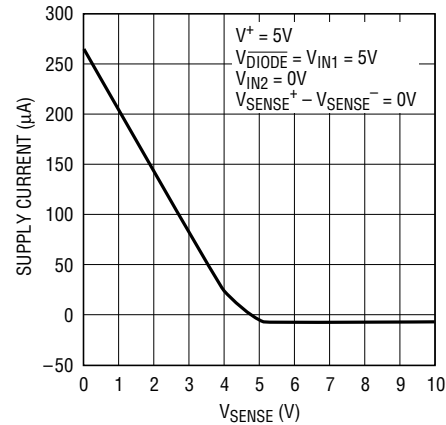
1473 G11

Timer Source Current vs Temperature



1473 G12

ISSENSE vs VSENSE



1473 G13

PIN FUNCTIONS

IN1 (Pin 1): Logic Input of Gate Drivers GA1 and GB1. This input is disabled when IN2 is high or DIODE is low. During 2-diode mode, asserting IN1 disables fault timer function.

IN2 (Pin 2): Logic Input of Gate Drivers GA2 and GB2. This input is disabled when IN1 is high or DIODE is low. During 2-diode mode, asserting IN2 disables fault timer function.

DIODE (Pin 3): “2-Diode Mode” Logic Input. This input overrides IN1 and IN2 forcing the two back-to-back N-channel MOSFET switches to mimic two diodes.

TIMER (Pin 4): Fault Timer. A capacitor connected from this pin to GND programs the time the MOSFET switches are allowed in current limit. To disable this function, Pin 4 can be grounded.

V⁺ (Pin 5): Power Supply. Bypass this pin with at least a 1 μ F capacitor.

V_{GG} (Pin 6): Gate Driver Supply. This high voltage supply is intended only for driving the internal micropower gate drive circuitry. *Do not load this pin with any external circuitry.* Bypass this pin with at least 1 μ F.

SW (Pin 7): Open Drain of N-Channel MOSFET Switch. This pin drives the bottom of the V_{GG} switching regulator inductor which is connected between this pin and the V⁺ pin.

GND (Pin 8): Ground.

GB2, GA2 (Pins 9, 11): Switch Gate Drivers. GA2 and GB2 drive the gates of the second back-to-back N-channel switches.

SAB2 (Pin 10): Source Return. The SAB2 pin is connected to the sources of SW A2 and SW B2. A small pull-down current source returns this node to 0V when the switches are turned off.

SENSE⁻ (Pin 12): Inrush Current Input. This pin should be connected directly to the bottom (output side) of the low valued resistor in series with the two input power selector switch pairs, SW A1/B1 and SW A2/B2 for detecting and controlling the inrush current into and out of the power supply sources and the output capacitor.

SENSE⁺ (Pin 13): Inrush Current Input. This pin should be connected directly to the top (switch side) of the low valued resistor in series with the two input power selector switch pairs, SW A1/B1 and SW A2/B2, for detecting and controlling the inrush current into and out of the power supply sources and the output capacitor. Current limit is invoked when (V_{SENSE⁺} – V_{SENSE⁻}) exceeds $\pm 0.2V$.

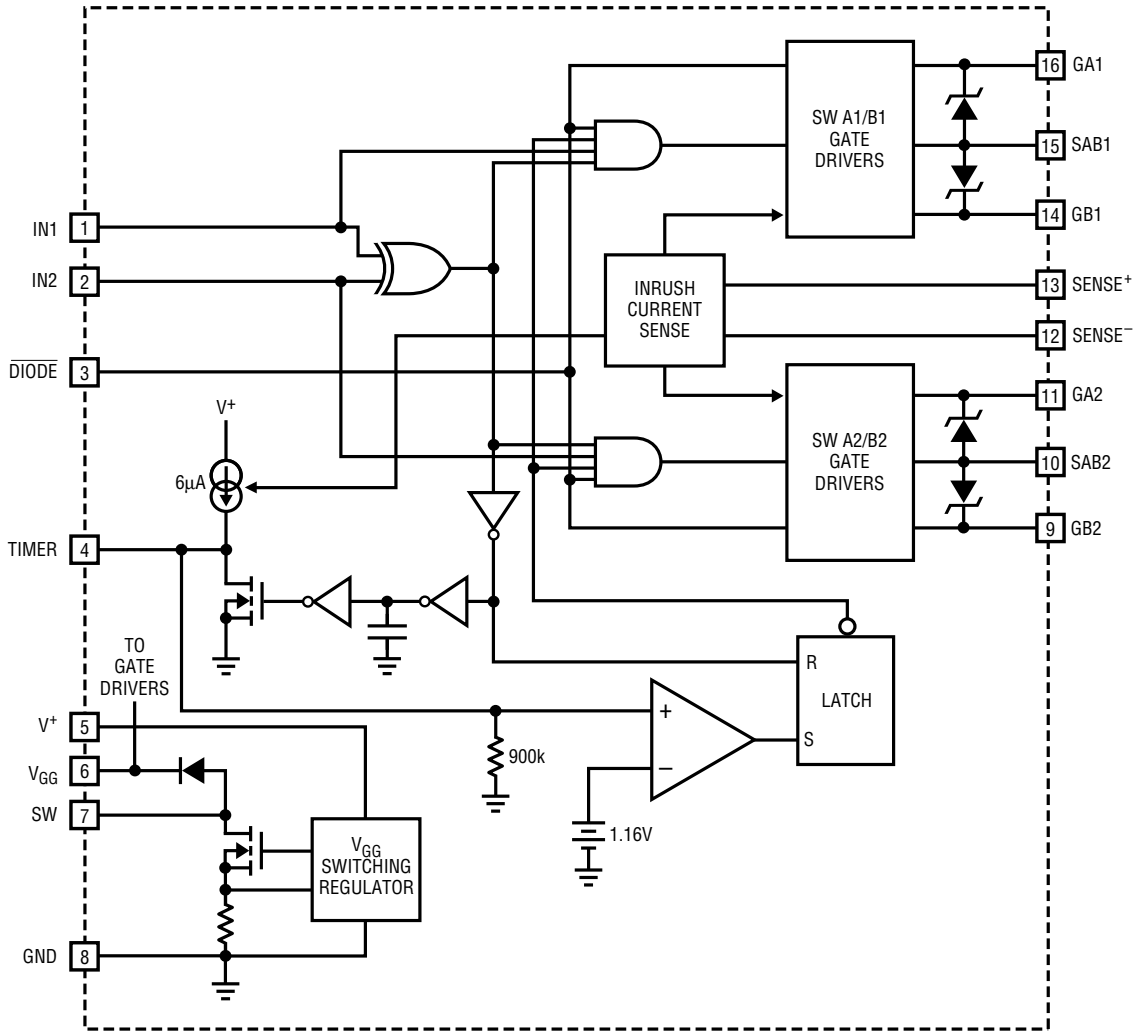
GB1, GA1 (Pins 14, 16): Switch Gate Drivers. GA1 and GB1 drive the gates of the first back-to-back N-channel switches.

SAB1 (Pin 15): Source Return. The SAB1 pin is connected to the sources of SW A1 and SW B1. A small pull-down current source returns this node to 0V when the switches are turned off.

Pin Function Table

PIN	NAME	DESCRIPTION	NOMINAL (V)			ABSOLUTE MAX (V)	
			MIN	TYP	MAX	MIN	MAX
1	IN1	Logic Input of Gate Drivers GA1 and GB1	0.4	1	2	-0.3	7
2	IN2	Logic Input of Gate Drivers GA2 and GB2	0.4	1	2	-0.3	7
3	DIODE	“2-Diode Mode” Logic Input	0.4	1	2	-0.3	7
4	TIMER	Fault Timer Programs Time in Current Limit		1.2		-0.3	5
5	V ⁺	Power Supply	2.7		9	-0.3	10
6	V _{GG}	Gate Driver Supply	10.2		20	-0.3	20
7	SW	Switch Node of Internal Boost Switching Regulator	0		20	-0.3	20
8	GND	Ground		0		0	0
9	GB2	Switch Gate Driver for Switch B2	0		17	-0.3	20
10	SAB2	Source Return of Switch 2	0		10	-0.3	10
11	GA2	Switch Gate Driver for Switch A2	0		17	-0.3	20
12	SENSE ⁻	Inrush Current Input, Low Side	0		10	-0.3	10
13	SENSE ⁺	Inrush Current Input, High Side	0		10	-0.3	10
14	GB1	Switch Gate Driver for Switch B1	0		17	-0.3	20
15	SAB1	Source Return of Switch 1	0		10	-0.3	10
16	GA1	Switch Gate Driver for Switch A1	0		17	-0.3	20

FUNCTIONAL DIAGRAM



1473 FD

OPERATION

The LTC1473L is responsible for low-loss switching and isolation for a dual supply system, where during a power backup situation, a battery pack can be connected and disconnected smoothly depending on the condition of the DC supply. Smooth switching between input power sources is accomplished with the help of low-loss N-channel switches driven by special gate drive circuitry which limits the inrush current in and out of the battery packs and the system power supply capacitors.

All N-Channel Switching

The LTC1473L drives external back-to-back N-channel MOSFET switches to direct power from two sources: between the primary battery and the secondary battery or between a battery and a DC power supply. (N-channel MOSFET switches are more cost effective and provide lower voltage drops than their P-channel counterparts.)

Gate Drive (V_{GG}) Power Supply

The gate drive for the low-loss N-channel switches is supplied by a micropower boost regulator which is regulated at approximately 8.5V above V^+ , up to 20V maximum. In two battery systems, the LTC1473L V^+ pin is diode ORed through three external diodes connected to the three main power sources, DCIN, BAT1 and BAT2. Thus, V_{GG} is regulated at 8.5V above the highest power source and will provide the overdrive required to fully enhance the MOSFET switches.

For maximum efficiency the top of the boost regulator inductor is connected to V^+ as shown in Figure 1. C1 provides filtering at the top of the 1mH switched inductor, L1, which is housed in a small surface mount package. An internal diode directs the current from the 1mH inductor to the V_{GG} output capacitor C2.

Inrush and Short-Circuit Current Limiting

The LTC1473L uses an adaptive inrush current limiting scheme to reduce current flowing in and out of the two main power sources and the DC/DC converter input capacitor during switch-over transitions. The voltage across a single small valued resistor, R_{SENSE} , is measured to ascertain the instantaneous current flowing through the

two switch pairs, SW A1/B1 and SW A2/B2 during the transitions.

Figure 2 shows a block diagram of a switch driver pair, SW A1/B1. A bidirectional current sensing and limiting circuit determines when the voltage drop across R_{SENSE} reaches $\pm 200\text{mV}$. The gate-to-source voltage, V_{GS} , of the appropriate switch is limited during the transition period until the inrush current subsides.

This scheme allows capacitors and MOSFET switches of differing sizes and current ratings to be used in the same system without circuit modifications.

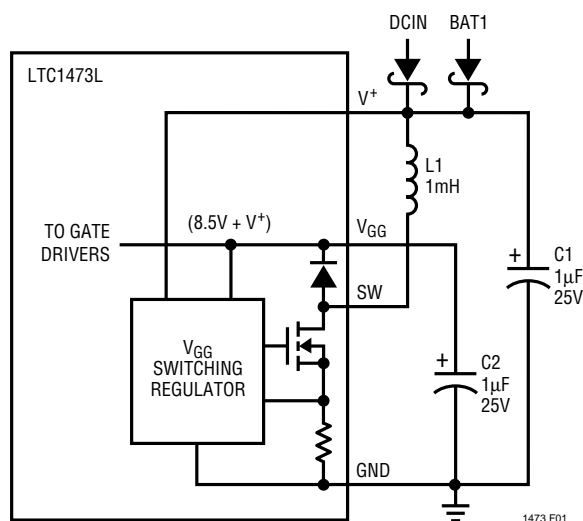


Figure 1. V_{GG} Switching Regulator

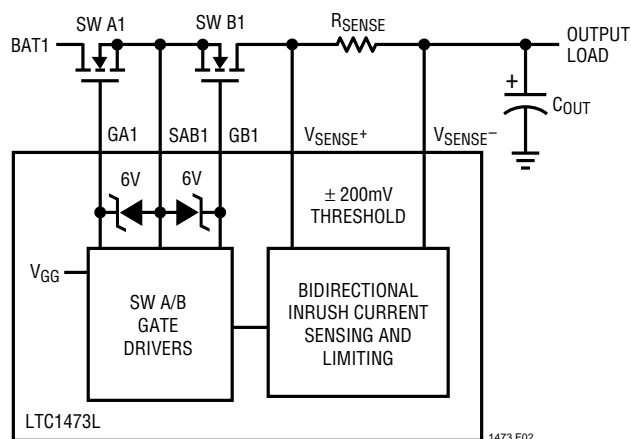


Figure 2. SW A1/B1 Inrush Current Limiting

APPLICATIONS INFORMATION

After the transition period, the V_{GS} of both MOSFETs in the selected switch pair rises to approximately 5.6V. The gate drive is set at 5.6V to provide ample overdrive for standard logic-level MOSFET switches without exceeding their maximum V_{GS} rating.

In the event of a fault condition, the current limit loop limits the inrush of current into the short. At the instant the MOSFET switch is in current limit, i.e., when the voltage drop across R_{SENSE} is $\pm 200\text{mV}$, a fault timer starts timing. It will continue to time as long as the MOSFET switch is in current limit. Eventually the preset time will lapse and the MOSFET switch will latch off. The latch is reset by deselecting the gate drive input. Fault time-out is programmed by an external capacitor connected between the TIMER pin and ground.

POWER PATH SWITCHING CONCEPTS

Power Source Selection

The LTC1473L drives low-loss switches to direct power from either the battery pack or the DC supply during power backup situations.

Figure 3 is a conceptual block diagram that illustrates the main features of an LTC1473L dual supply power management system starting with a 4 NiMH battery pack and a 5V/3.3V DC supply and ending with an uninterrupted output load. Switches SW A1/B1, SW A2/B2 direct power from either the battery or the DC supply to the output load. Each

of the switches is controlled by a logic compatible input that can interface directly with a digital pin.

Using Tantalum Capacitors

The inrush (and “outrush”) current of the load capacitor is limited by the LTC1473L, i.e., the current flowing both in and out of the capacitor during transitions from one input power source to another is limited. In many applications, this inrush current limiting makes it feasible to use lower cost/size tantalum surface mount capacitors in place of more expensive/larger aluminum electrolytics.

Note: The capacitor manufacturer should be consulted for specific inrush current specifications and limitations and some experimentation may be required to ensure compliance with these limitations under all possible operating conditions.

Back-to-Back Switch Topology

The simple SPST switches shown in Figure 3 actually consist of two back-to-back N-channel switches. These low-loss N-channel switch pairs are housed in 8-pin SO or SSOP packaging and are available from a number of manufacturers. The back-to-back topology eliminates the problems associated with the inherent body diodes in power MOSFET switches and allows each switch pair to block current flow in either direction when the two switches are turned off.

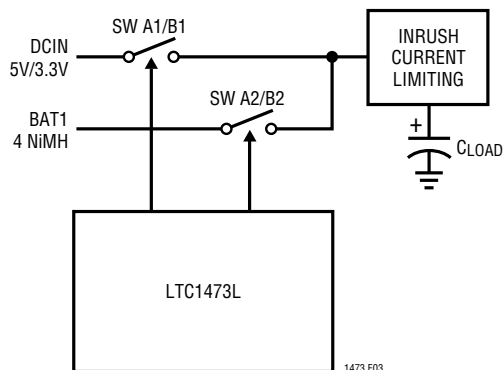


Figure 3. LTC1473L PowerPath Conceptual Diagram

APPLICATIONS INFORMATION

power dissipated in the switches is never allowed to rise above the manufacturers' recommended level.

Inrush Current Sense Resistor, R_{SENSE}

A small valued sense resistor (current shunt) is used by the two switch pair drivers to measure and limit the inrush or short-circuit current flowing through the conducting switch pair.

The inrush current limit should be set at approximately 2× or 3× the maximum required output current. For example, if the maximum current required by the DC/DC converter is 2A, an inrush current limit of 6A is set by selecting a 0.033Ω sense resistor, R_{SENSE} , using the following formula:

$$R_{SENSE} = (200\text{mV})/I_{INRUSH}$$

Note that the voltage drop across the resistor in this example is only 66mV under normal operating conditions. Therefore, the power dissipated in the resistor is extremely small (132mW), and a small 1/4W surface mount resistor can be used in this application (the resistor will tolerate the higher power dissipation during current limit for the duration of the fault time-out). A number of small valued surface mount resistors are available that have been specifically designed for high efficiency current sensing applications.

Programmable Fault Timer Capacitor, C_{TIMER}

A fault timer capacitor, C_{TIMER} , is used to program the time duration the MOSFET switches are allowed in current limit continuously. This feature can be disabled by either grounding the TIMER pin or asserting DIODE low and asserting either IN1 or IN2 high.

In the event of a fault condition, the MOSFET switch is driven into current limit by the inrush current limit loop. The MOSFET switch operating in current limit is in a high dissipation mode and can fail catastrophically if not promptly terminated.

The fault time delay is programmed with an external capacitor connected between the TIMER pin and GND. At

the instant the MOSFET switch enters current limit, a 5μA current source starts charging C_{TIMER} through the TIMER pin. When the voltage across C_{TIMER} reaches 1.2V an internal latch is set and the MOSFET switch is turned off. To reset the latch, the logic input of the MOSFET gate driver is deselected.

The fault time delay should be programmed as large as possible, at least 3× to 5× the maximum switching transition period, to avoid prematurely tripping the protection circuit. Conversely, for the protection circuit to be effective, the fault time delay must be within the safe operating area of the MOSFET switches as stated in the manufacturer's data sheet.

The maximum switching transition period happens during a cold start, when a fully charged battery is connected to an unpowered system. The inrush current charging up the system supply capacitor to the battery voltage determines the switching transition period.

The following example illustrates the calculation of C_{TIMER} . Assume the maximum battery voltage is 10V, the system supply capacitor is 100μF, the inrush current limit is 6A and the maximum current required by the DC/DC converter is 2A. Then, the maximum switching transition period is calculated using the following formula:

$$t_{SW(MAX)} = \frac{(V_{BAT(MAX)})(C_{IN(DC/DC)})}{I_{INRUSH} - I_{LOAD}}$$

$$t_{SW(MAX)} = \frac{(10)(100\mu\text{F})}{6\text{A} - 2\text{A}} = 250\mu\text{s}$$

Multiplying 3 by 250μs gives 0.75ms, the minimum fault delay time. Make sure this delay time does not fall outside of the safe operating area of the MOSFET switch dissipating 30W (6A • 10V/2). Using this delay time the C_{TIMER} can be calculated using the following formula:

$$C_{TIMER} = 0.75\text{ms} \left(\frac{5\mu\text{A}}{1.20\text{V}} \right) = 3100\text{pF}$$

Therefore, C_{TIMER} should be 3100pF.

APPLICATIONS INFORMATION

V_{GG} Regulator Inductor and Capacitors

The V_{GG} regulator provides a power supply voltage significantly higher than any of the three main power source voltages to allow the control of N-channel MOSFET switches. This micropower, step-up voltage regulator is powered by the highest potential available from the two main power sources for maximum regulator efficiency.

Three external components are required by the V_{GG} regulator: L1, C1 and C2, as shown in Figure 5.

L1 is a small, low current, 1mH surface mount inductor. C1 provides filtering at the top of the 1mH switched inductor and should be at least $1\mu\text{F}$ to filter switching transients. The V_{GG} output capacitor, C2, provides storage and filtering for the V_{GG} output and should be at least $1\mu\text{F}$ and rated for 30V operation. C1 and C2 can be ceramic capacitors.

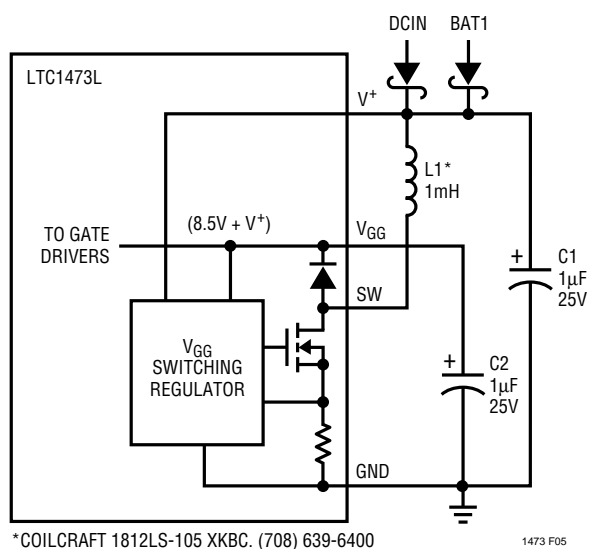
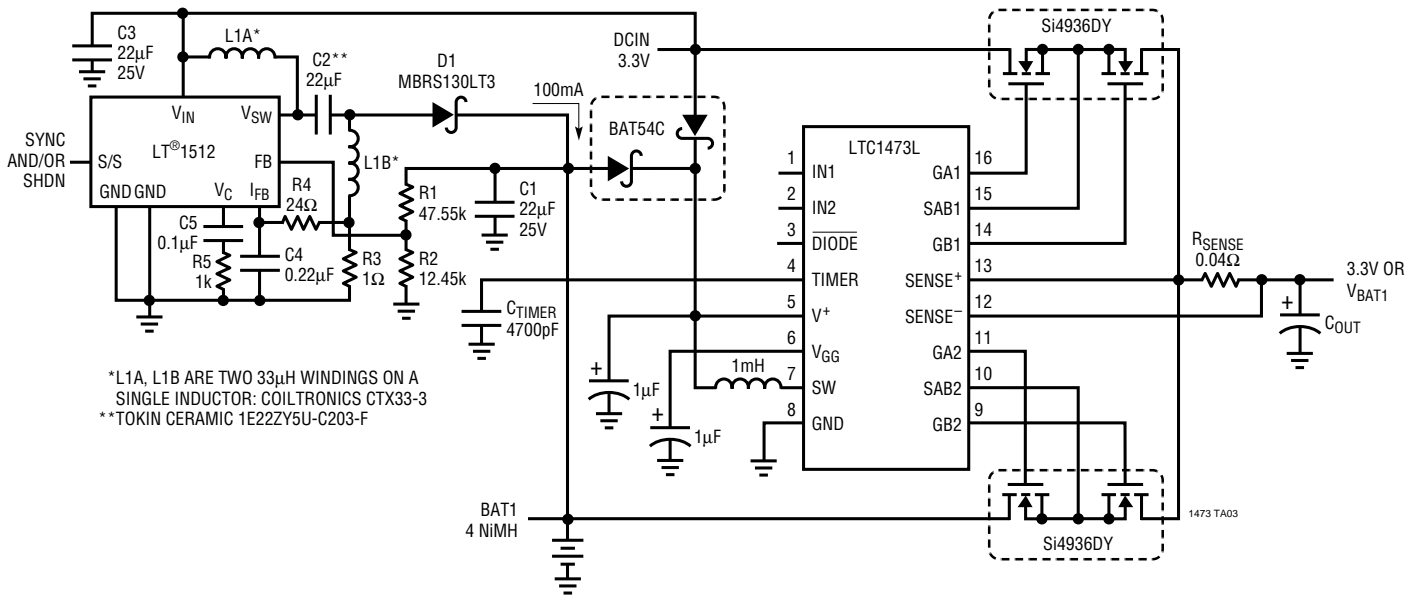


Figure 5. V_{GG} Step-Up Switching Regulator

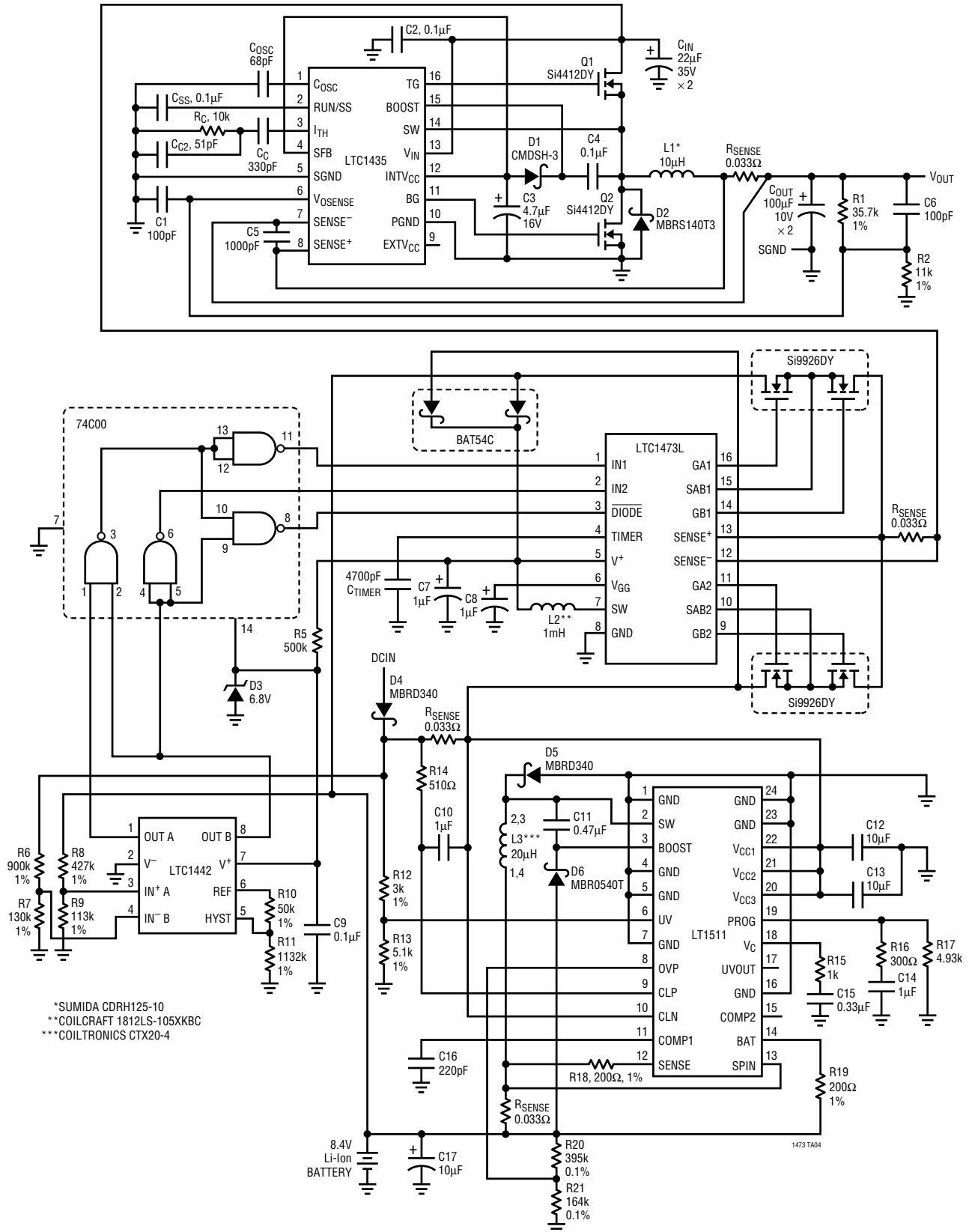
TYPICAL APPLICATIONS

LTC1473L with Battery Charger



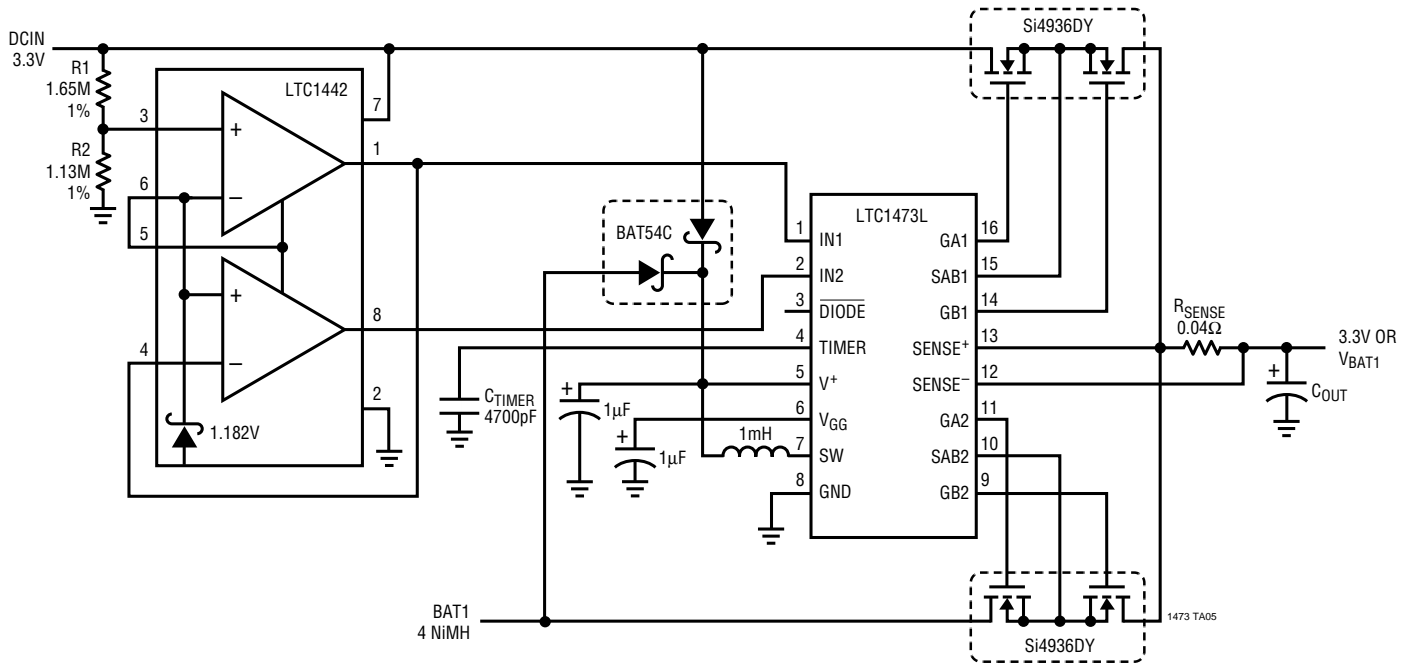
TYPICAL APPLICATIONS

Complete Front End Including Battery Charger and DC/DC Converter with Automatic Switchover Between Battery and DCIN



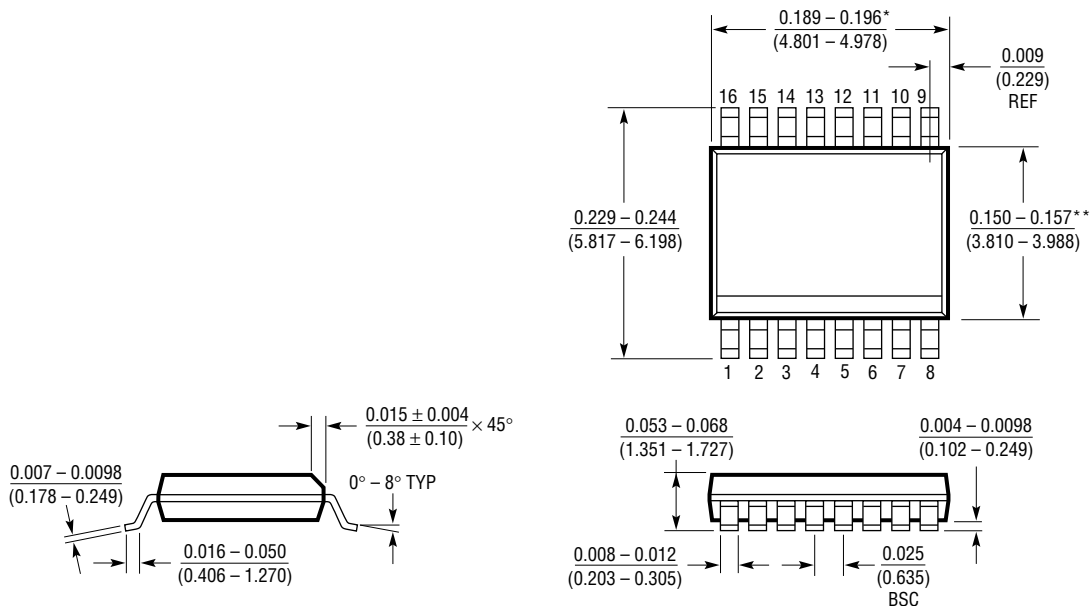
TYPICAL APPLICATION

Automatic PowerPath Switching for 3.3V Applications



PACKAGE DESCRIPTION Dimensions in inches (millimeters) unless otherwise noted.

GN Package
16-Lead Plastic SSOP (Narrow 0.150)
 (LTC DWG # 05-08-1641)

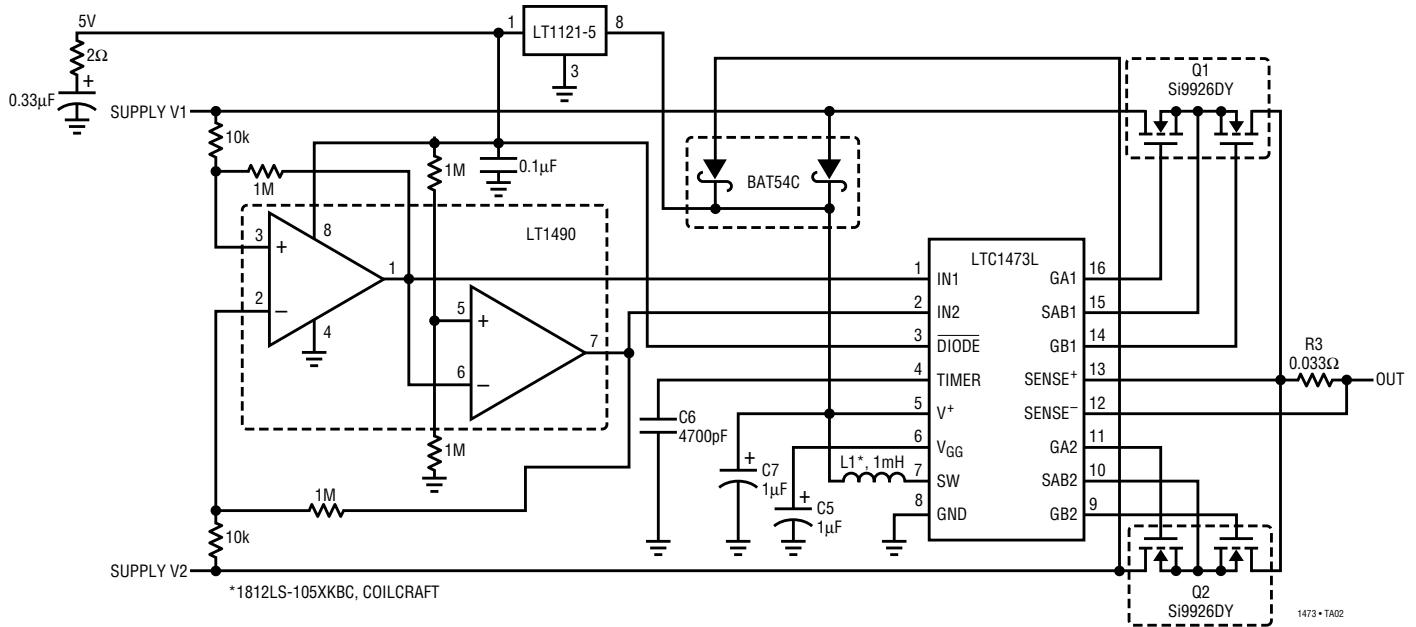


* DIMENSION DOES NOT INCLUDE MOLD FLASH. MOLD FLASH SHALL NOT EXCEED 0.006* (0.152mm) PER SIDE
 ** DIMENSION DOES NOT INCLUDE INTERLEAD FLASH. INTERLEAD FLASH SHALL NOT EXCEED 0.010* (0.254mm) PER SIDE

GN16 (SSOP) 0398

TYPICAL APPLICATION

Protected Automatic Switchover Between Two Supplies



RELATED PARTS

PART NUMBER	DESCRIPTION	COMMENTS
LTC1155	Dual High Side Micropower MOSFET Driver	Internal Charge Pump Requires No External Components
LTC1161	Quad Protected High Side MOSFET Driver	Rugged, Designed for Harsh Environment
LTC1435	Single High Efficiency Low Noise Switching Regulator	Constant Frequency, Synchronous Step-Down
LTC1473	Dual PowerPath Switch Driver	V ⁺ Range from 4.75V to 30V
LTC1479	PowerPath Controller for Dual Battery Systems	Designed to Interface with a Power Management µP
LT1510	Constant-Voltage/Constant-Current Battery Charger	Up to 1.5A Charge Current for Lithium-Ion, NiCd and NiMH Batteries
LT1511	3A Constant-Voltage/Constant-Current Battery Charger	High Efficiency, Minimal External Components to Fast Charge Lithium, NiMH and NiCd Batteries
LTC1538-AUX	Dual Synchronous Controller with Aux Regulator	5V Standby in Shutdown