

6W audio amplifier with preamplifier**TDA1010A**

The TDA1010A is a monolithic integrated class-B audio amplifier circuit in a 9-lead single in-line (SIL) plastic package. The device is primarily developed as a 6 W car radio amplifier for use with 4 Ω and 2 Ω load impedances. The wide supply voltage range and the flexibility of the IC make it an attractive proposition for record players and tape recorders with output powers up to 10 W.

Special features are:

- single in-line (SIL) construction for easy mounting
- separated preamplifier and power amplifier
- high output power
- low-cost external components
- good ripple rejection
- thermal protection

QUICK REFERENCE DATA

Supply voltage range	V_p		6 to 24 V
Repetitive peak output current	I_{ORM}	max.	3 A
Output power at pin 2; $d_{tot} = 10\%$			
$V_p = 14,4$ V; $R_L = 2$ Ω	P_o	typ.	6,4 W
$V_p = 14,4$ V; $R_L = 4$ Ω	P_o	typ.	6,2 W
$V_p = 14,4$ V; $R_L = 8$ Ω	P_o	typ.	3,4 W
$V_p = 14,4$ V; $R_L = 2$ Ω ; with additional bootstrap resistor of 220 Ω between pins 3 and 4	P_o	typ.	9 W
Total harmonic distortion at $P_o = 1$ W; $R_L = 4$ Ω	d_{tot}	typ.	0,2 %
Input impedance			
preamplifier (pin 8)	$ Z_i $	typ.	30 k Ω
power amplifier (pin 6)	$ Z_i $	typ.	20 k Ω
Total quiescent current at $V_p = 14,4$ V	I_{tot}	typ.	31 mA
Sensitivity for $P_o = 5,8$ W; $R_L = 4$ Ω	V_i	typ.	10 mV
Operating ambient temperature	T_{amb}		-25 to + 150 $^{\circ}$ C
Storage temperature	T_{stg}		-55 to + 150 $^{\circ}$ C

6W audio amplifier with preamplifier

TDA1010A

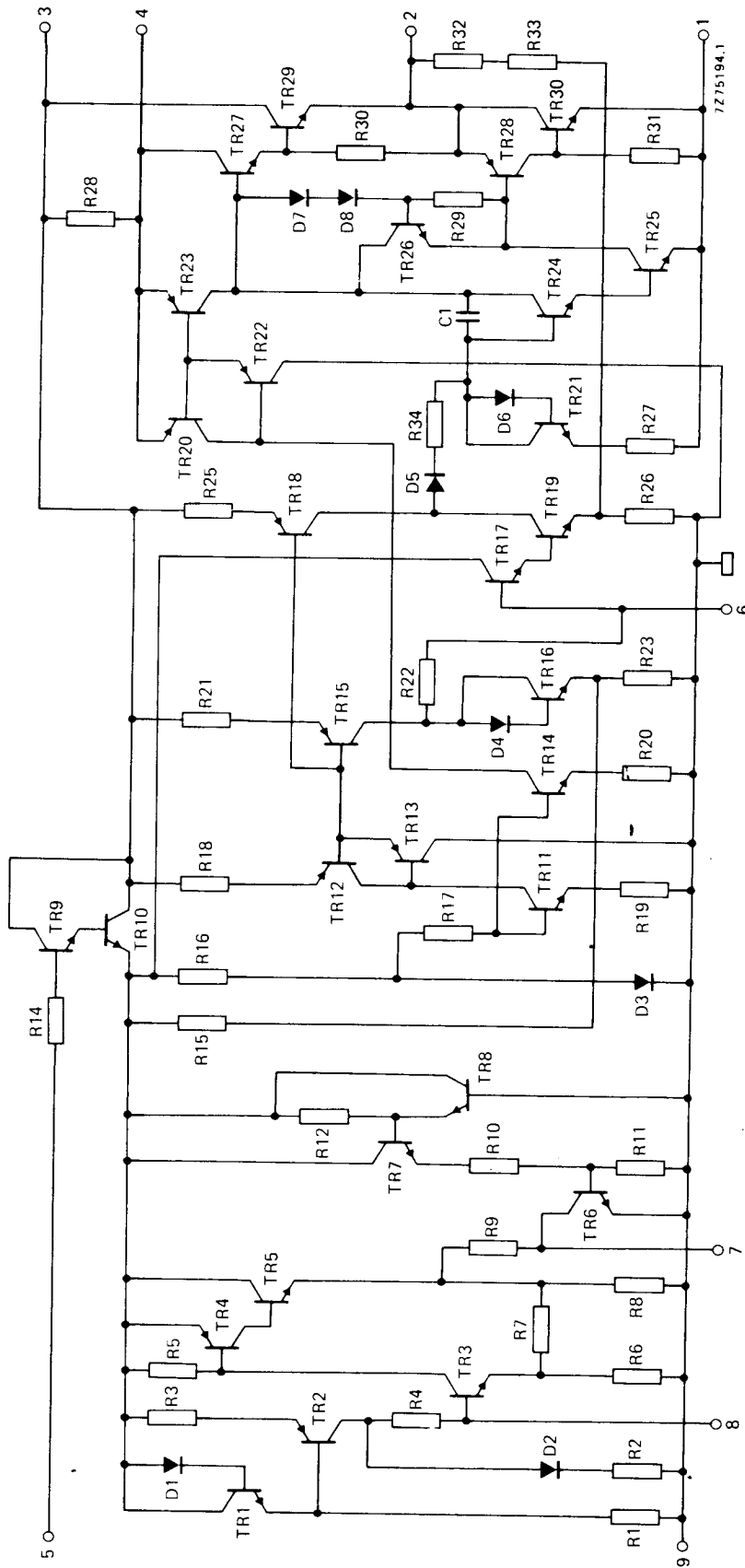


Fig. 1 Circuit diagram.

6W audio amplifier with preamplifier

TDA1010A

RATINGS

Limiting values in accordance with the Absolute Maximum System (IEC 134)

Supply voltage	V_P	max.	24 V
Peak output current	I_{OM}	max.	5 A
Repetitive peak output current	I_{ORM}	max.	3 A
Total power dissipation	see derating curve Fig. 2		
Storage temperature	T_{stg}	-55 to +150 °C	
Operating ambient temperature	T_{amb}	-25 to +150 °C	
A.C. short-circuit duration of load during sine-wave drive; without heatsink at $V_P = 14,4$ V	t_{sc}	max.	100 hours

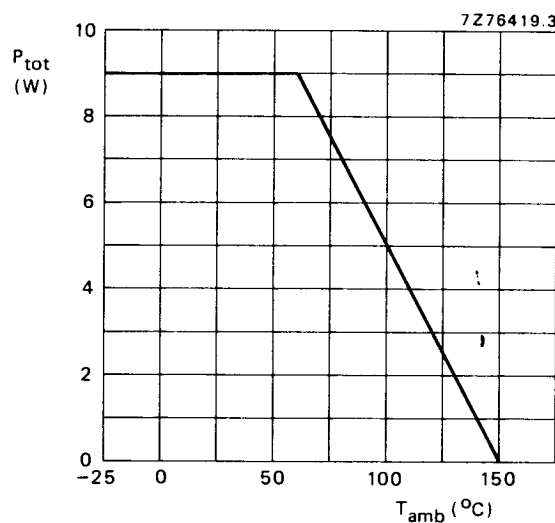


Fig. 2 Power derating curve.

HEATSINK DESIGN

Assume $V_P = 14,4$ V; $R_L = 2 \Omega$; $T_{amb} = 60$ °C maximum; thermal shut-down starts at $T_j = 150$ °C. The maximum sine-wave dissipation in a 2Ω load is about 5,2 W. The maximum dissipation for music drive will be about 75% of the worst-case sine-wave dissipation, so this will be 3,9 W. Consequently, the total resistance from junction to ambient

$$R_{th j-a} = R_{th j-tab} + R_{th tab-h} + R_{th h-a} = \frac{150 - 60}{3,9} = 23 \text{ K/W.}$$

Since $R_{th j-tab} = 10$ K/W and $R_{th tab-h} = 1$ K/W,

$$R_{th h-a} = 23 - (10 + 1) = 12 \text{ K/W.}$$

6W audio amplifier with preamplifier

TDA1010A

D.C. CHARACTERISTICS

Supply voltage range	V_p	6 to 24 V
Repetitive peak output current	I_{ORM}	< 3 A
Total quiescent current at $V_p = 14,4$ V	I_{tot}	typ. 31 mA

A.C. CHARACTERISTICS

$T_{amb} = 25$ °C; $V_p = 14,4$ V; $R_L = 4$ Ω ; $f = 1$ kHz unless otherwise specified; see also Fig. 3.

A. F. output power (see Fig. 4) at $d_{tot} = 10\%$;
measured at pin 2; with bootstrap

$V_p = 14,4$ V; $R_L = 2$ Ω (note 1) P_o typ. 6,4 W

$V_p = 14,4$ V; $R_L = 4$ Ω (note 1 and 2) P_o { > 5,9 W
typ. 6,2 W

$V_p = 14,4$ V; $R_L = 8$ Ω (note 1) P_o typ. 3,4 W

$V_p = 14,4$ V; $R_L = 4$ Ω ; without bootstrap P_o typ. 5,7 W

$V_p = 14,4$ V; $R_L = 2$ Ω ; with additional bootstrap resistor of 220 Ω between pins 3 and 4 P_o typ. 9 W

Voltage gain preamplifier (note 3) G_{v1} typ. 24 dB
21 to 27 dB

power amplifier G_{v2} typ. 30 dB
27 to 33 dB

total amplifier $G_{v\ tot}$ typ. 54 dB
51 to 57 dB

Total harmonic distortion at $P_o = 1$ W d_{tot} typ. 0,2 %

Efficiency at $P_o = 6$ W η typ. 75 %

Frequency response (-3 dB) B 80 Hz to 15 kHz

Input impedance preamplifier (note 4) $|Z_i|$ typ. 30 k Ω
20 to 40 k Ω

power amplifier (note 5) $|Z_i|$ typ. 20 k Ω
14 to 26 k Ω

Output impedance of preamplifier; pin 7 (note 5) $|Z_o|$ typ. 20 k Ω
14 to 26 k Ω

Output voltage preamplifier (r.m.s. value)
 $d_{tot} < 1\%$ (pin 7) (note 3) $V_{o(rms)}$ > 0,7 V

Noise output voltage (r.m.s. value; note 6)
 $R_S = 0$ Ω $V_{n(rms)}$ typ. 0,3 mV

$R_S = 8,2$ k Ω $V_{n(rms)}$ typ. 0,7 mV
< 1,4 mV

Ripple rejection at $f = 1$ kHz to 10 kHz (note 7)
at $f = 100$ Hz; $C_2 = 1$ μ F RR > 42 dB
RR > 37 dB

Sensitivity for $P_o = 5,8$ W V_i typ. 10 mV

Bootstrap current at onset of clipping; pin 4 (r.m.s. value) $I_4(rms)$ typ. 30 mA

6W audio amplifier with preamplifier

TDA1010A

Notes

1. Measured with an ideal coupling capacitor to the speaker load.
2. Up to $P_O \leq 3 \text{ W}$: $d_{\text{tot}} \leq 1\%$.
3. Measured with a load impedance of $20 \text{ k}\Omega$.
4. Independent of load impedance of preamplifier.
5. Output impedance of preamplifier ($|Z_O|$) is correlated (within 10%) with the input impedance ($|Z_i|$) of the power amplifier.
6. Unweighted r.m.s. noise voltage measured at a bandwidth of 60 Hz to 15 kHz (12 dB/octave).
7. Ripple rejection measured with a source impedance between 0 and $2 \text{ k}\Omega$ (maximum ripple amplitude: 2 V).
8. The tab must be electrically floating or connected to the substrate (pin 9).

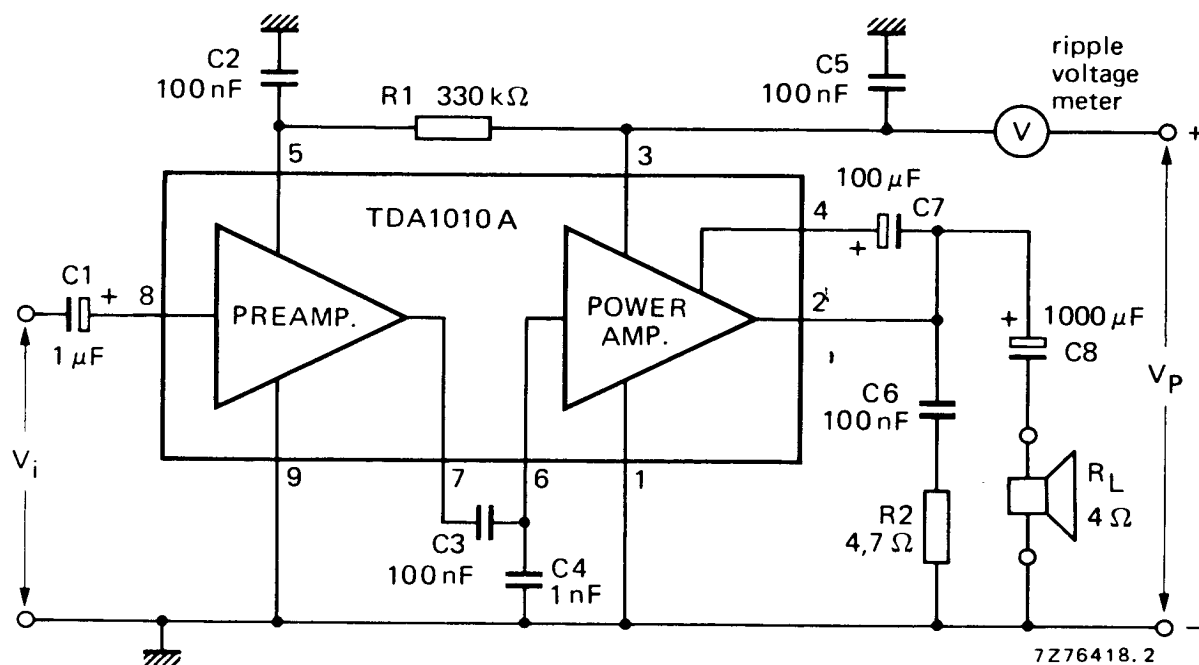


Fig. 3 Test circuit.

6W audio amplifier with preamplifier

TDA1010A

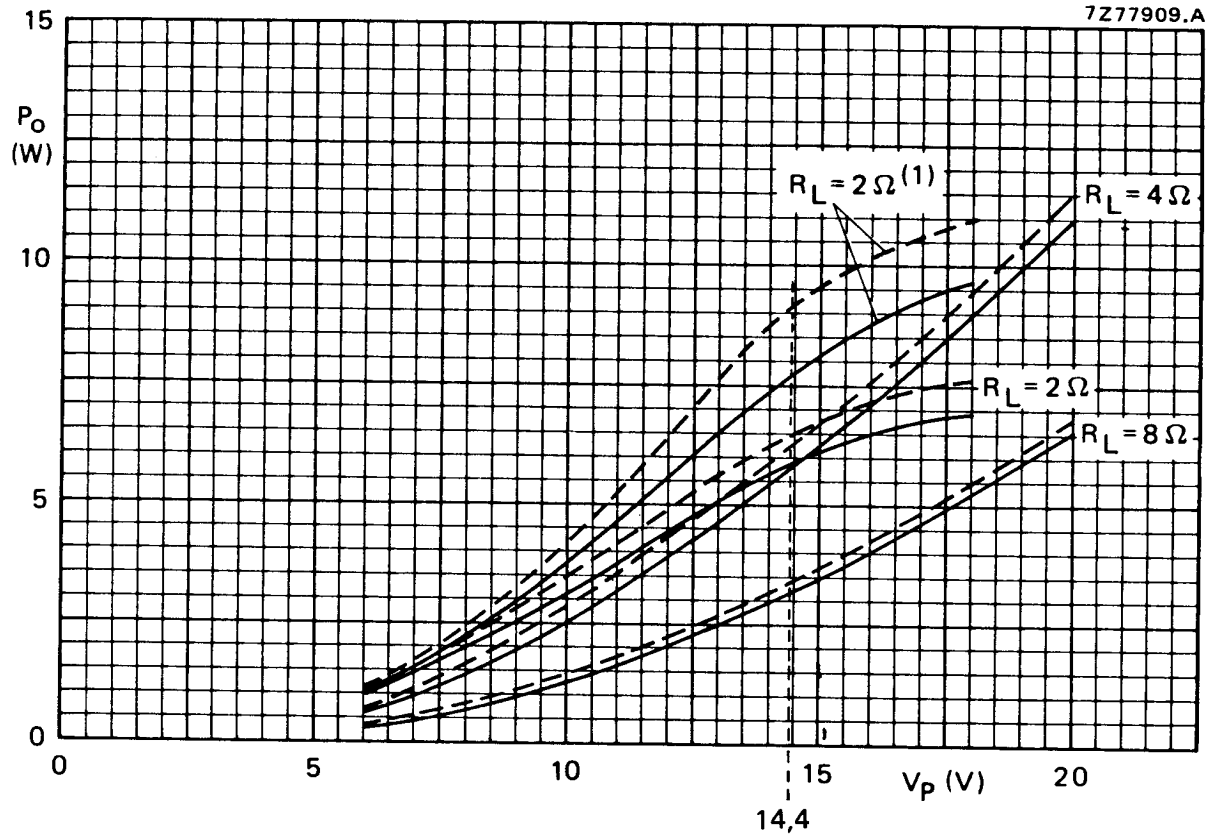


Fig. 4 Output power of the circuit of Fig. 3 as a function of the supply voltage with the load impedance as a parameter; typical values. Solid lines indicate the power across the load, dashed lines that available at pin 2 of the TDA1010. $R_L = 2 \Omega (1)$ has been measured with an additional 220Ω bootstrap resistor between pins 3 and 4. Measurements were made at $f = 1 \text{ kHz}$, $d_{\text{tot}} = 10\%$, $T_{\text{amb}} = 25 \text{ }^\circ\text{C}$.

Fig. 5 See next page.

Total harmonic distortion in the circuit of Fig. 3 as a function of the output power with the load impedance as a parameter; typical values. Solid lines indicate the power across the load, dashed lines that available at pin 2 of the TDA1010. $R_L = 2 \Omega (1)$ has been measured with an additional 220Ω bootstrap resistor between pins 3 and 4. Measurements were made at $f = 1 \text{ kHz}$, $V_p = 14,4 \text{ V}$.

6W audio amplifier with preamplifier

TDA1010A

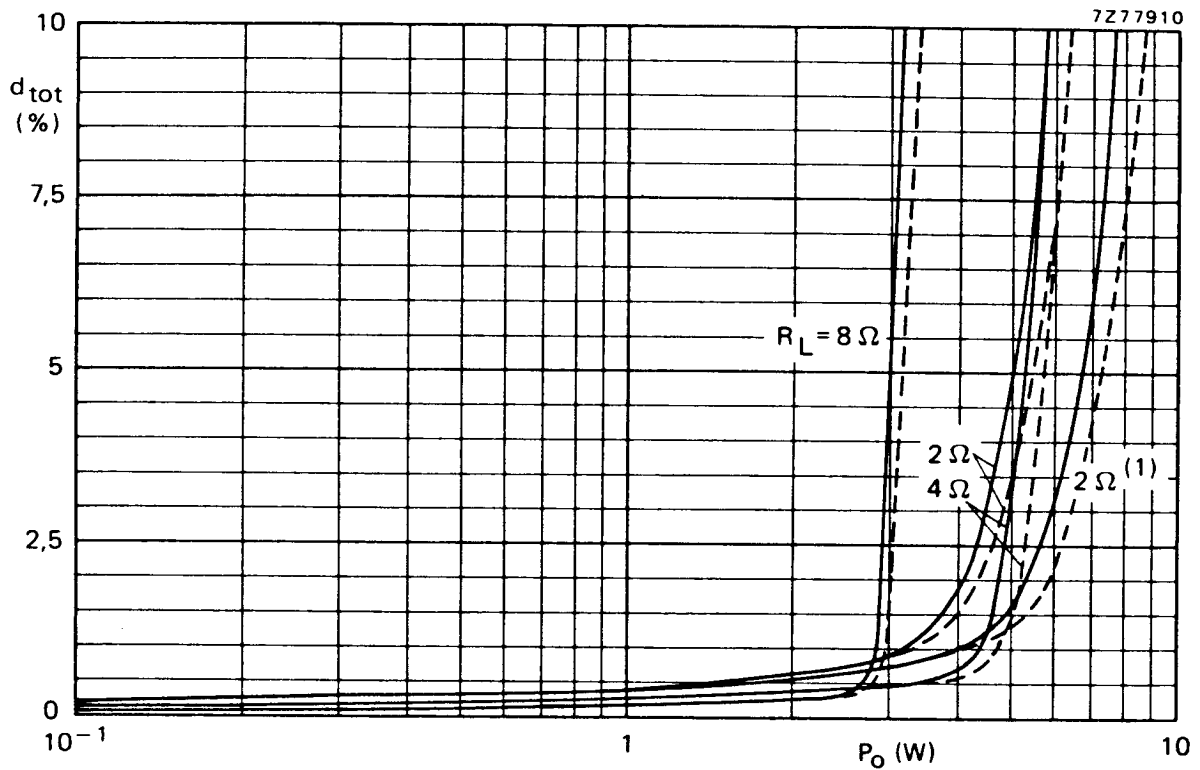


Fig. 5 For caption see preceding page.

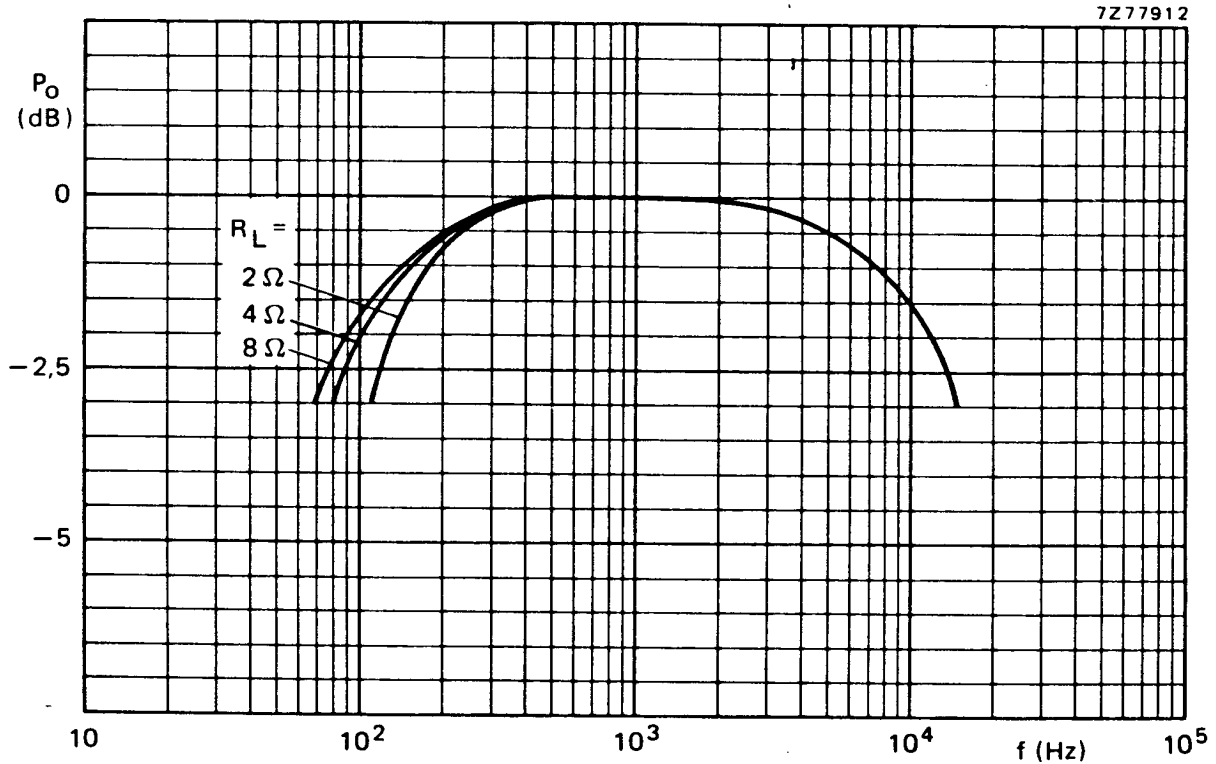


Fig. 6 Frequency characteristics of the circuit of Fig. 3 for three values of load impedance; typical values. P_o relative to 0 dB = 1 W; $V_p = 14,4$ V.

6W audio amplifier with preamplifier

TDA1010A

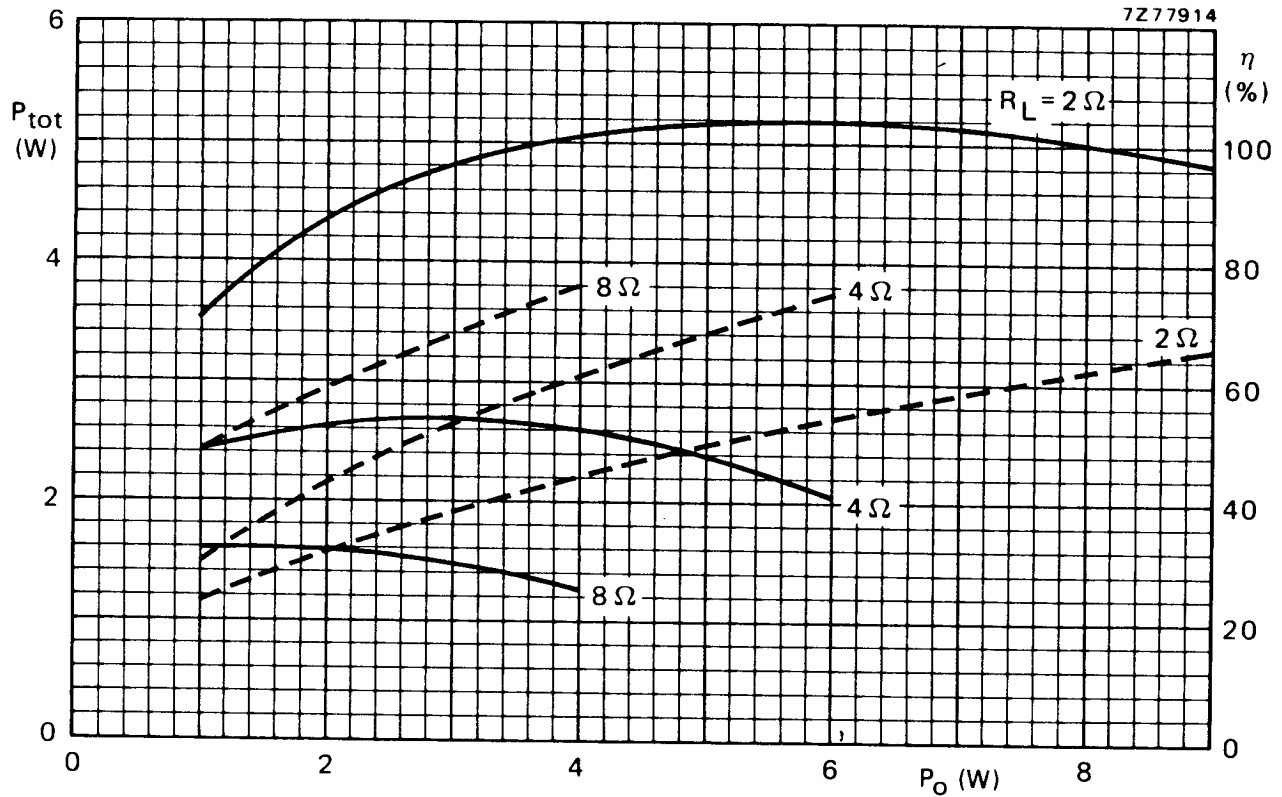


Fig. 7 Total power dissipation (solid lines) and the efficiency (dashed lines) of the circuit of Fig. 3 as a function of the output power with the load impedance as a parameter (for $R_L = 2\ \Omega$ an external bootstrap resistor of $220\ \Omega$ has been used); typical values. $V_p = 14,4\ V$; $f = 1\ kHz$.

6W audio amplifier with preamplifier

TDA1010A

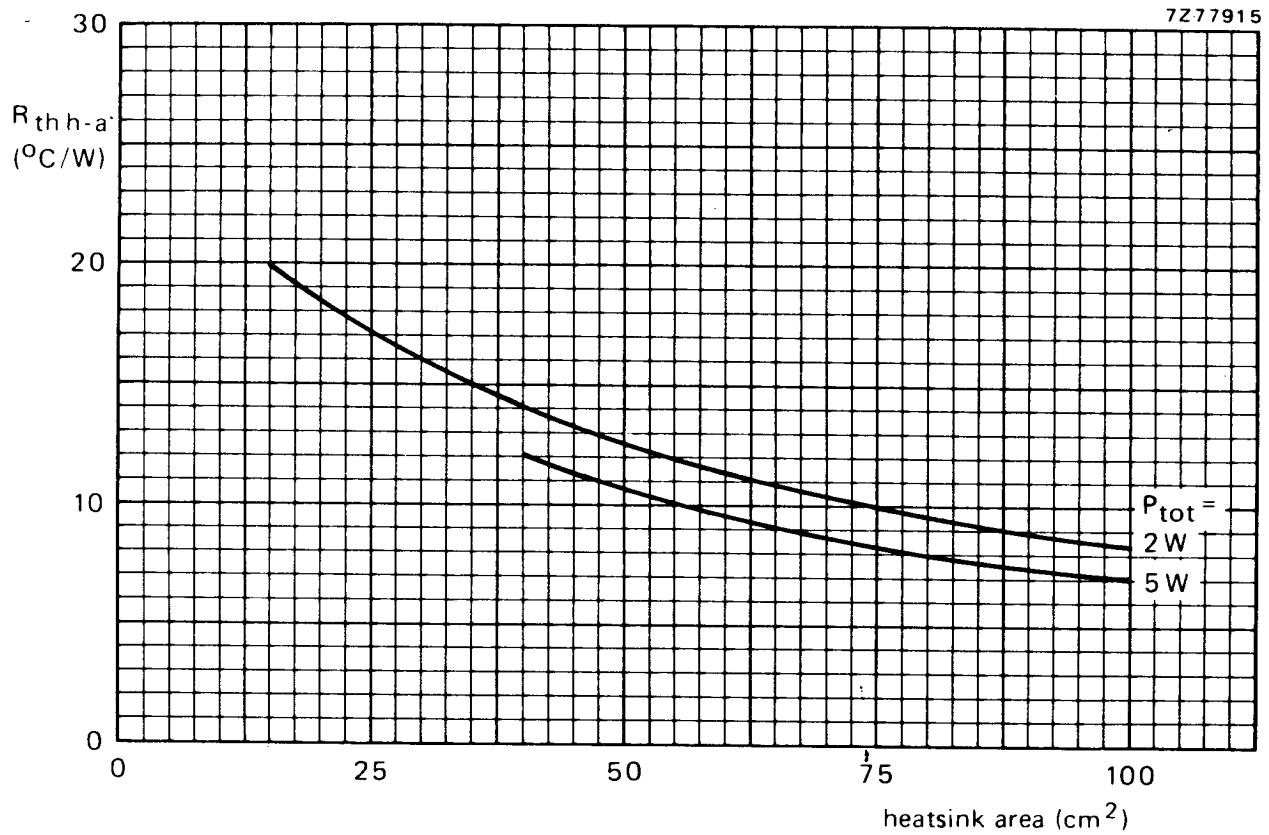


Fig. 8 Thermal resistance from heatsink to ambient of a 1,5 mm thick bright aluminium heatsink as a function of the single-sided area of the heatsink with the total power dissipation as a parameter.

6W audio amplifier with preamplifier

TDA1010A

APPLICATION INFORMATION

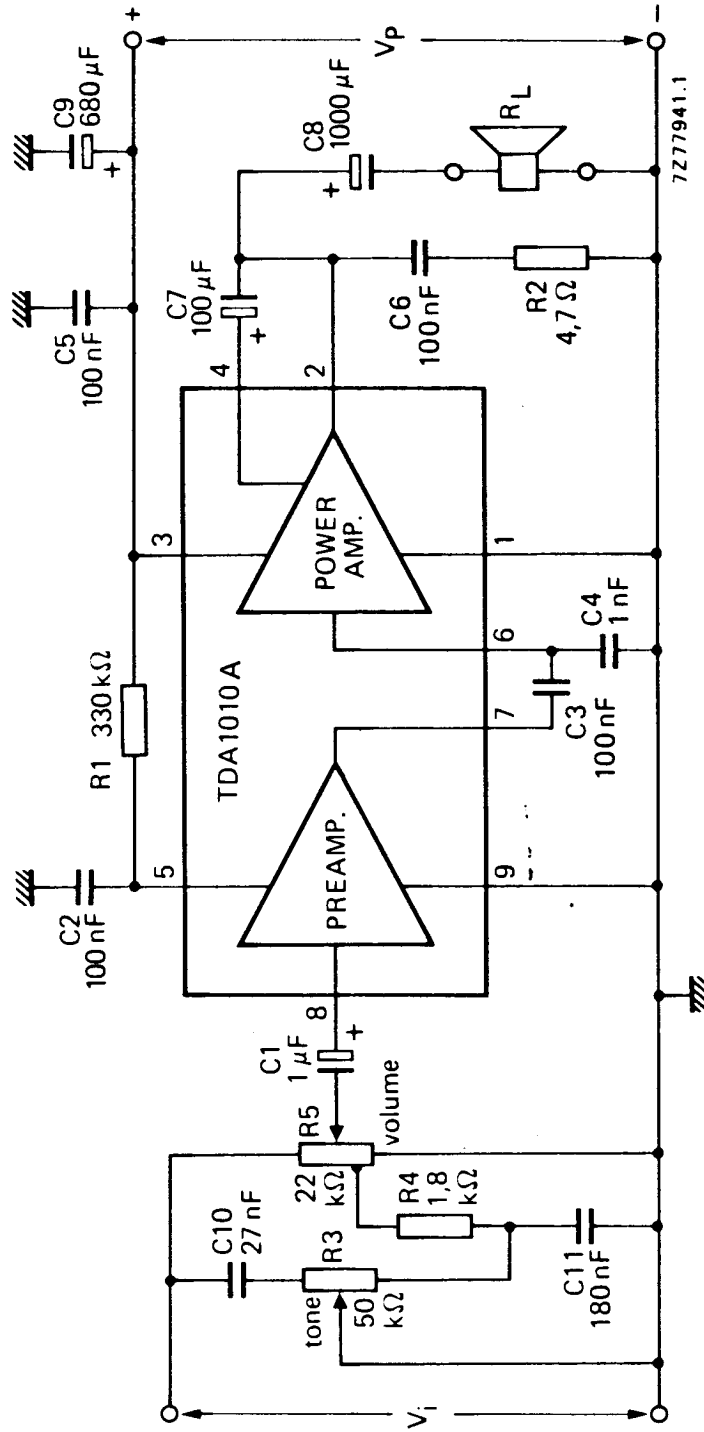
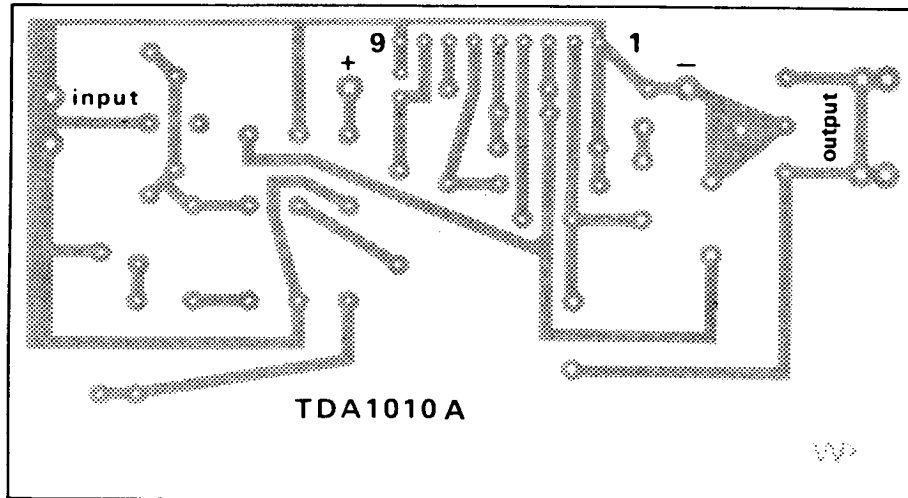


Fig. 9 Complete mono audio amplifier of a car radio.

6W audio amplifier with preamplifier

TDA1010A



7Z77931

Fig. 10 Track side of printed-circuit board used for the circuit of Fig. 9; p.c. board dimensions 92 mm x 52 mm.

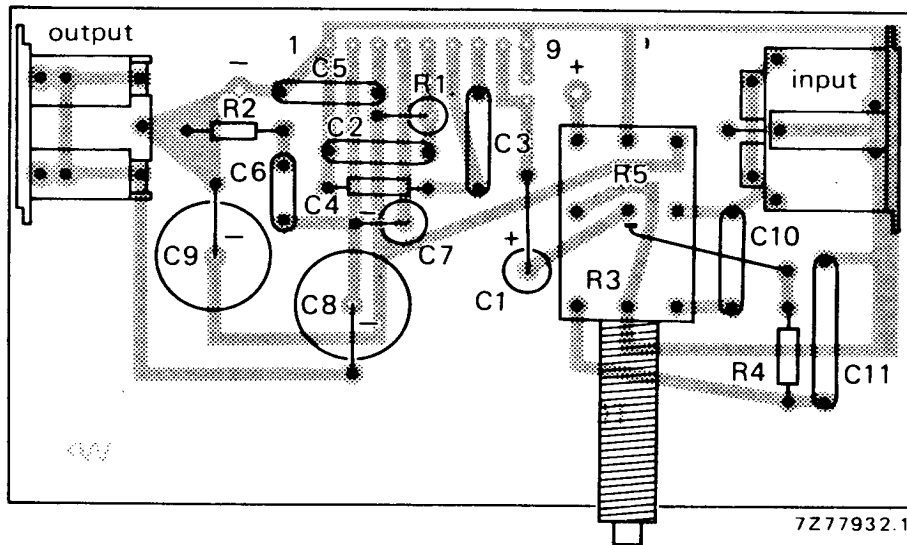


Fig. 11 Component side of printed-circuit board showing component layout used for the circuit of Fig. 9.

6W audio amplifier with preamplifier

TDA1010A

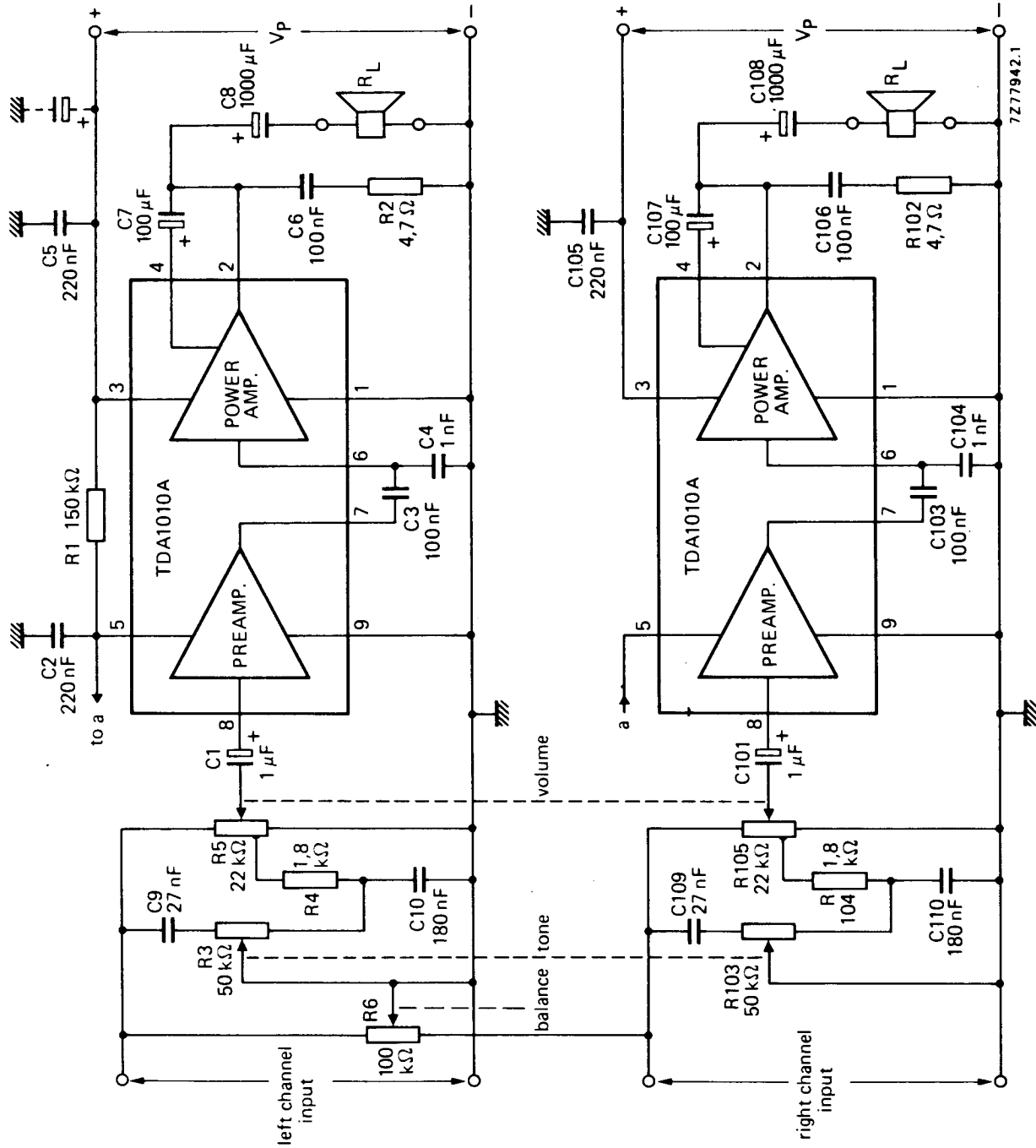


Fig. 12 Complete stereo car radio amplifier.

6W audio amplifier with preamplifier

TDA1010A

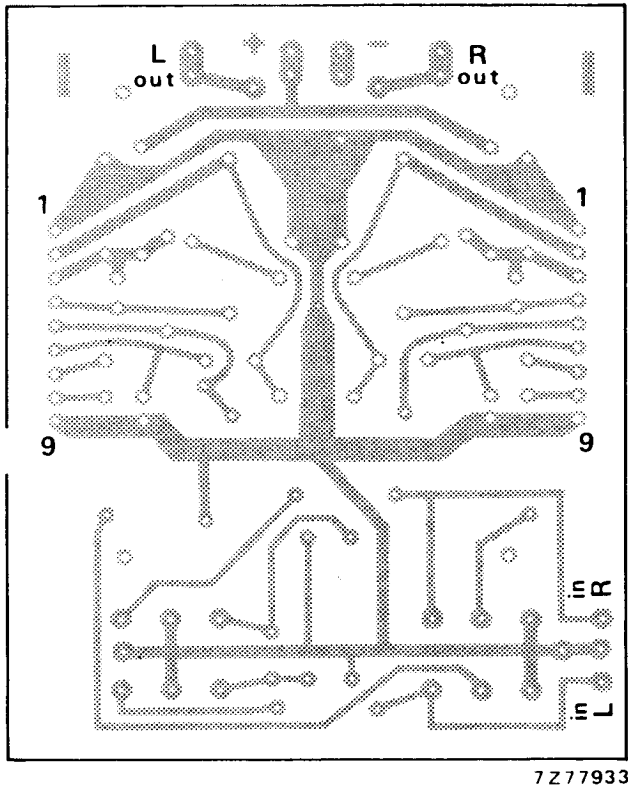


Fig. 13 Track side of printed-circuit board used for the circuit of Fig. 12; p.c. board dimensions 83 mm x 65 mm.

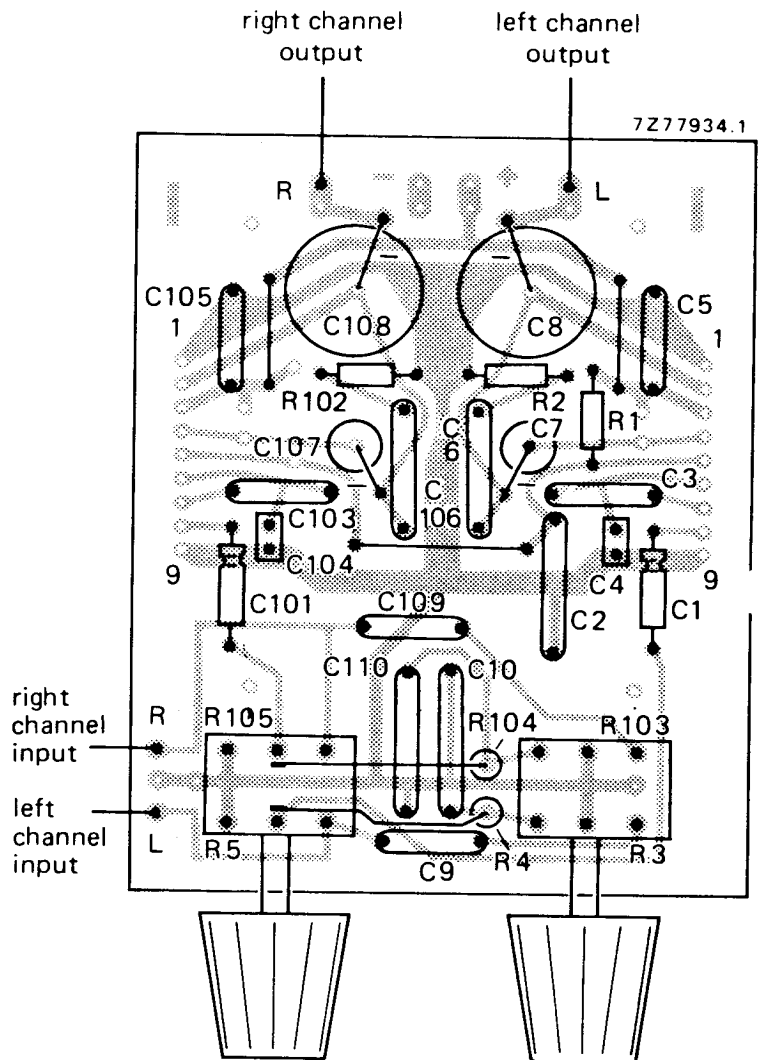


Fig. 14 Component side of printed-circuit board showing component layout used for the circuit of Fig. 12. Balance control is not on the p.c. board.

6W audio amplifier with preamplifier

TDA1010A

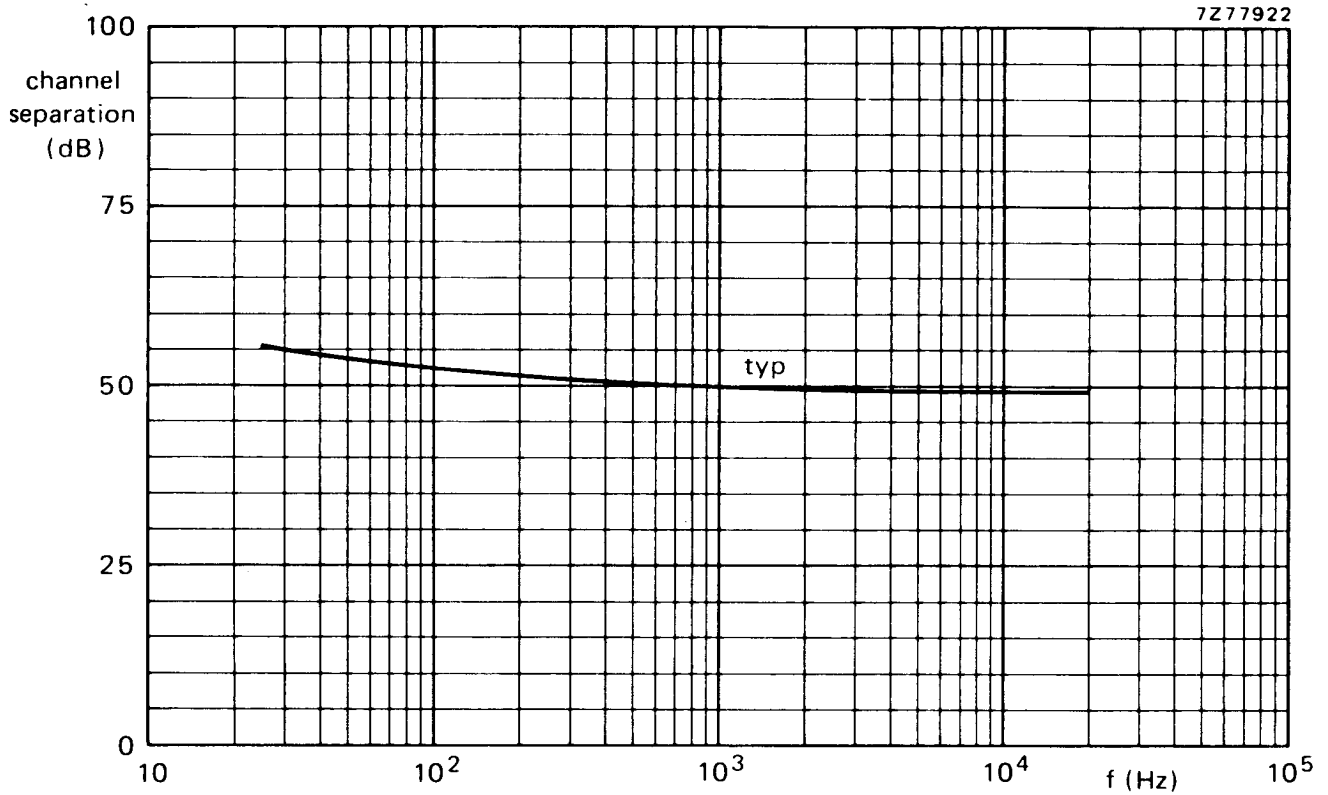


Fig. 15 Channel separation of the circuit of Fig. 12 as a function of the frequency.

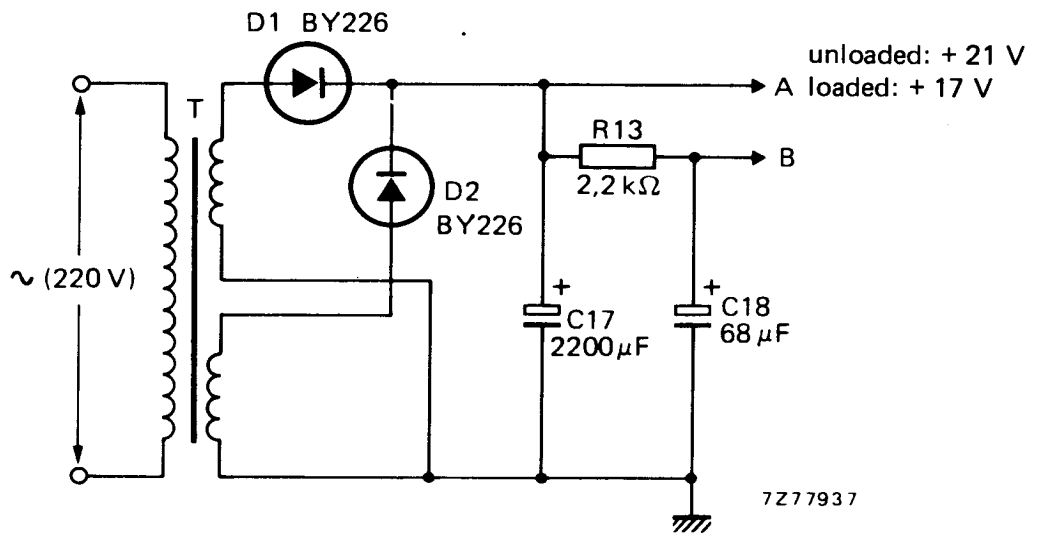


Fig. 16 Power supply of circuit of Fig. 17.

6W audio amplifier with preamplifier

TDA1010A

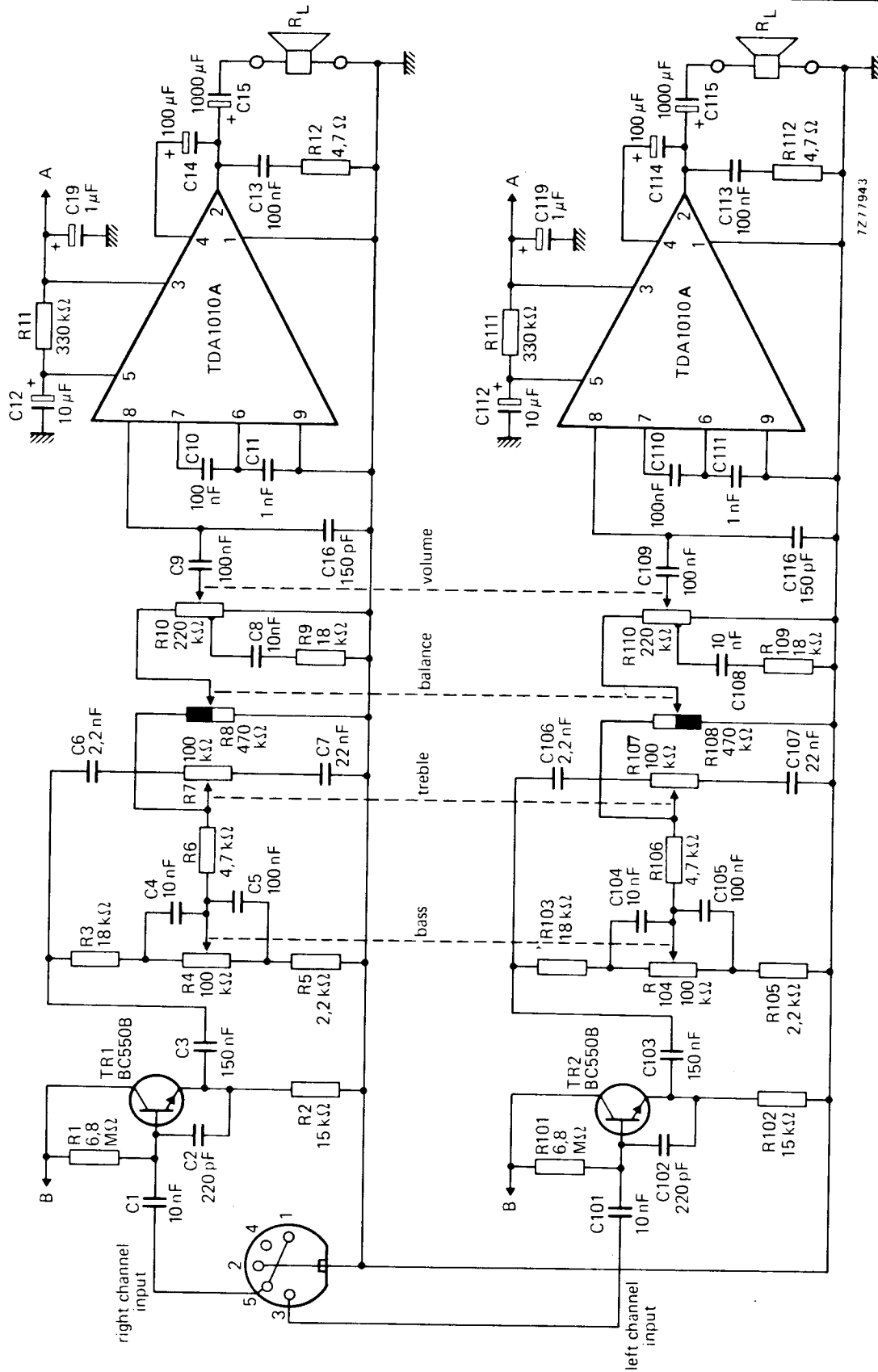


Fig. 17 Complete mains-fed ceramic stereo pick-up amplifier; for power supply see Fig. 16.

6W audio amplifier with preamplifier

TDA1010A

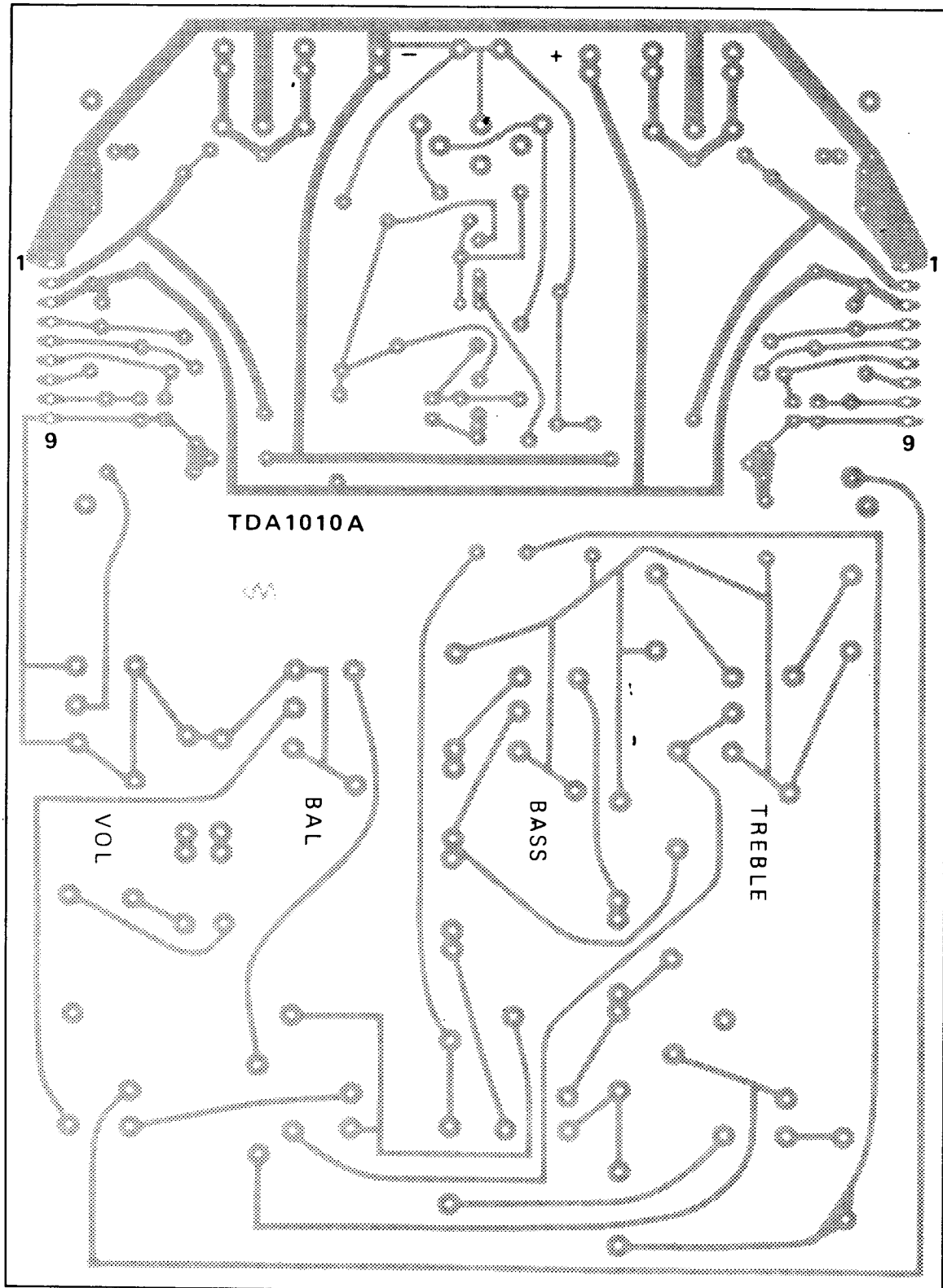


Fig. 18 Track side of printed-circuit board used for the circuit of Fig. 17 (Fig. 16 partly); p.c. board dimensions 169 mm x 118 mm.

7277935

6W audio amplifier with preamplifier

TDA1010A

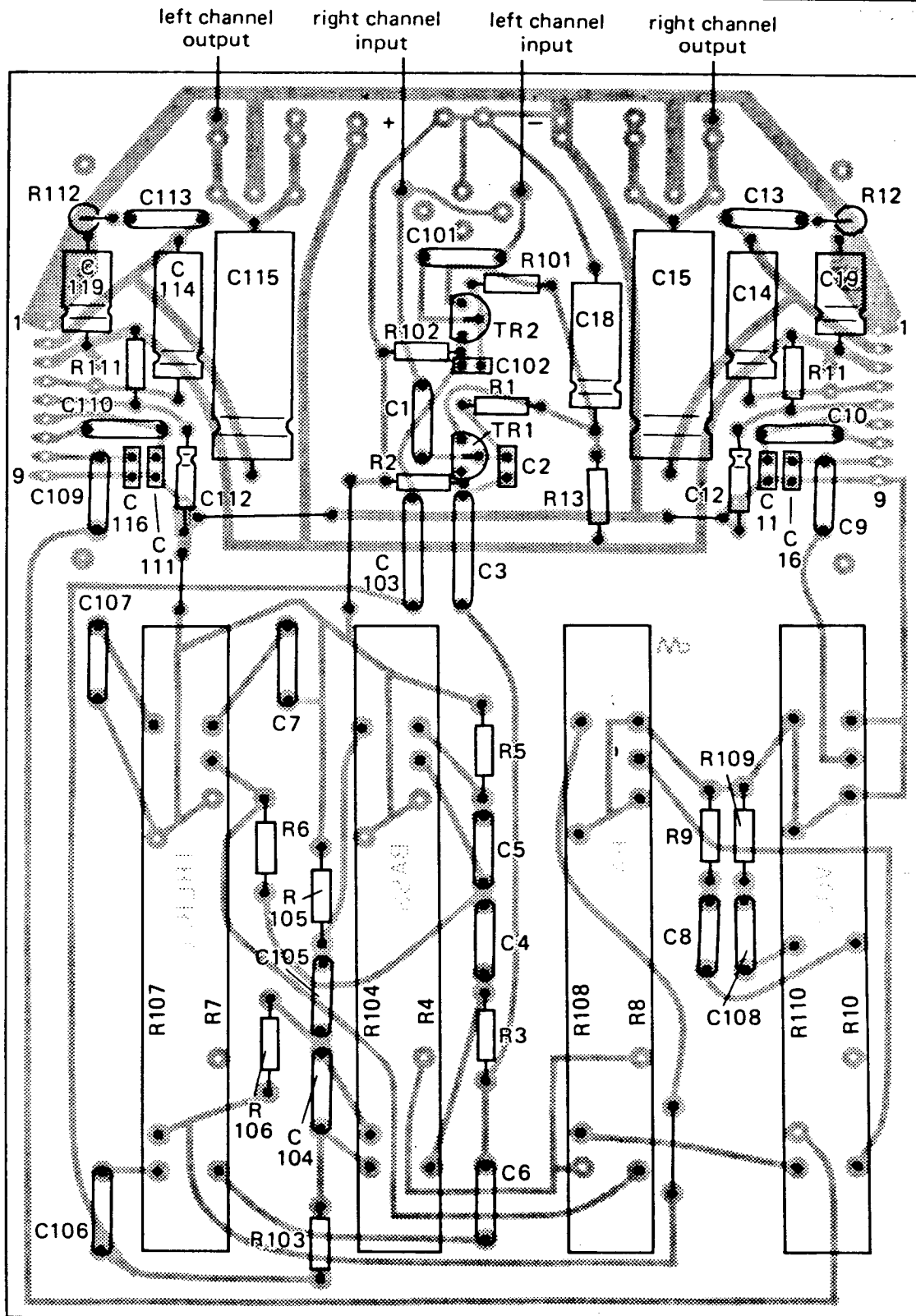


Fig. 19 Component side of printed-circuit board showing component layout used for the circuit of Fig. 17 (Fig. 16 partly).

7277936

6W audio amplifier with preamplifier

TDA1010A

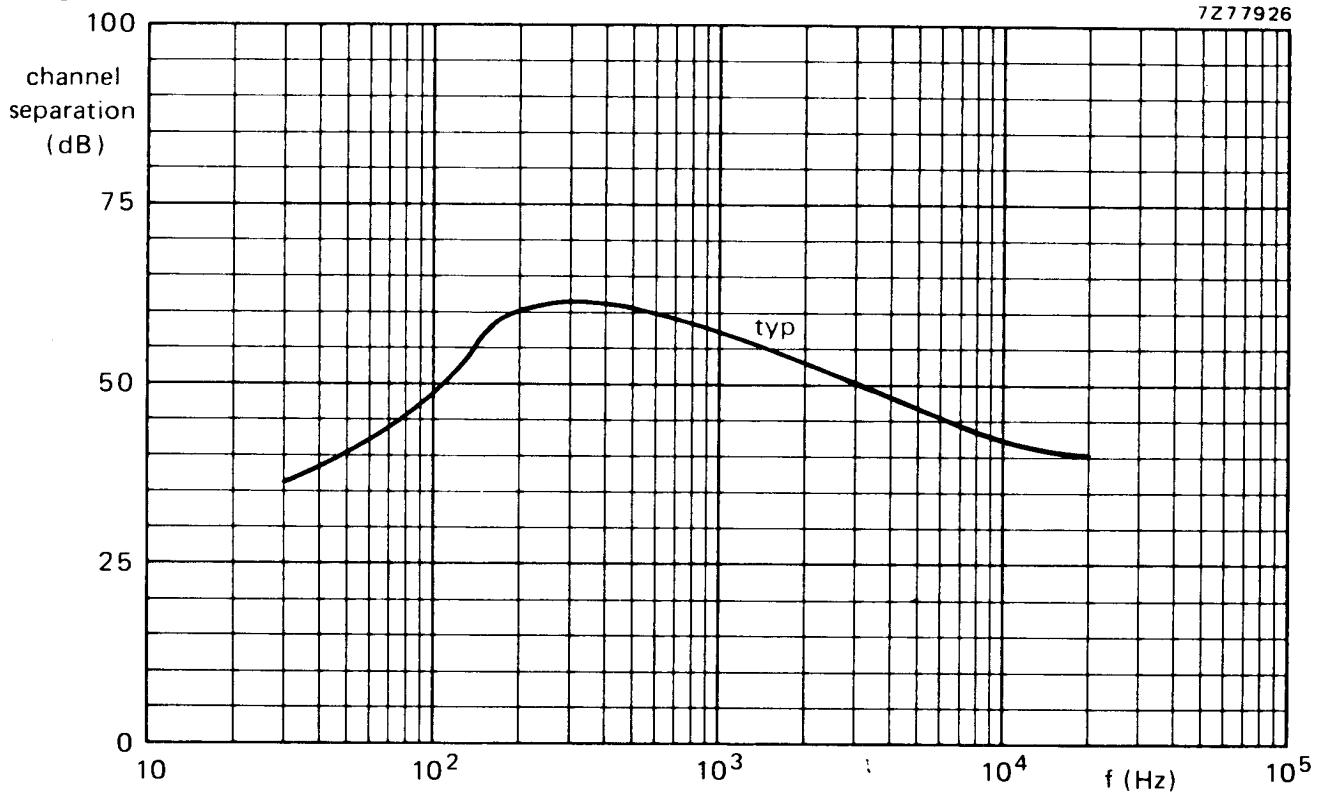


Fig. 20 Channel separation of the circuit of Fig. 17 as a function of frequency.