

TOSHIBA BIPOLAR LINEAR INTEGRATED CIRCUIT SILICON MONOLITHIC

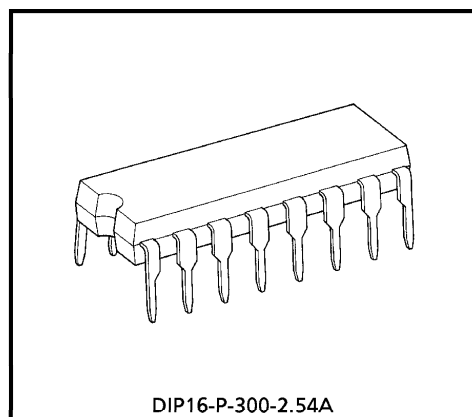
TA7612AP

LED DRIVER

The TA7612AP is designed for 10 LED level meter driver.

FEATURES

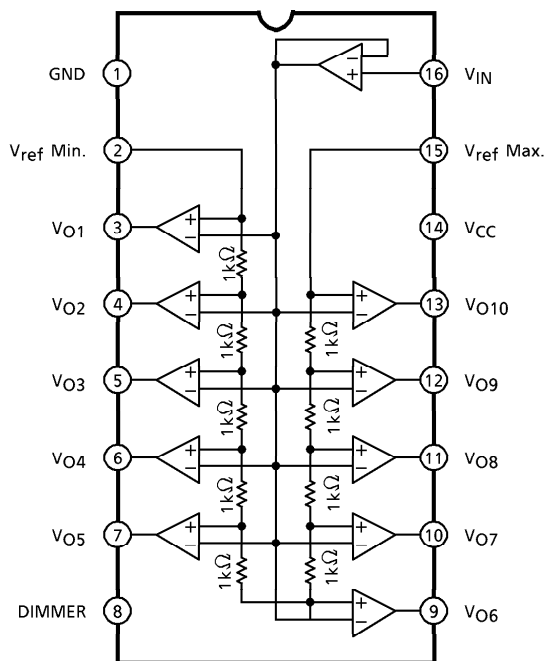
- 10 LED'S Bar Display Driver.
- Linear Scale Display.
- Continuous 10 LED Display.
- By Choosing a Series Connection of IC, Can Display more than 10 LED.



DIP16-P-300-2.54A

Weight : 1.00g (Typ.)

BLOCK DIAGRAM



961001EBA2

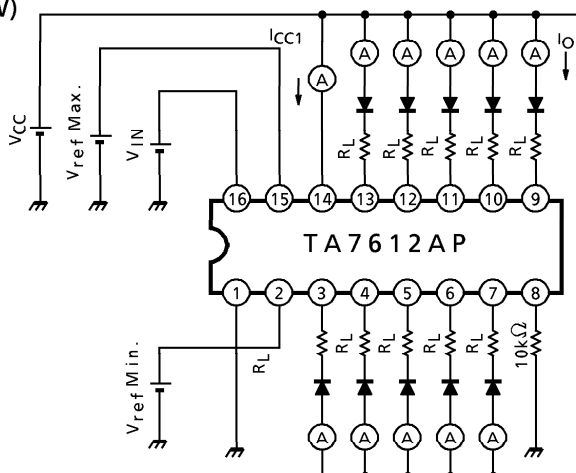
- TOSHIBA is continually working to improve the quality and the reliability of its products. Nevertheless, semiconductor devices in general can malfunction or fail due to their inherent electrical sensitivity and vulnerability to physical stress. It is the responsibility of the buyer, when utilizing TOSHIBA products, to observe standards of safety, and to avoid situations in which a malfunction or failure of a TOSHIBA product could cause loss of human life, bodily injury or damage to property. In developing your designs, please ensure that TOSHIBA products are used within specified operating ranges as set forth in the most recent products specifications. Also, please keep in mind the precautions and conditions set forth in the TOSHIBA Semiconductor Reliability Handbook.
- The products described in this document are subject to foreign exchange and foreign trade control laws.
- The information contained herein is presented only as a guide for the applications of our products. No responsibility is assumed by TOSHIBA CORPORATION for any infringements of intellectual property or other rights of the third parties which may result from its use. No license is granted by implication or otherwise under any intellectual property or other rights of TOSHIBA CORPORATION or others.
- The information contained herein is subject to change without notice.

(Note) V_{ref} Max. (= ⑮PIN) = 3.6V

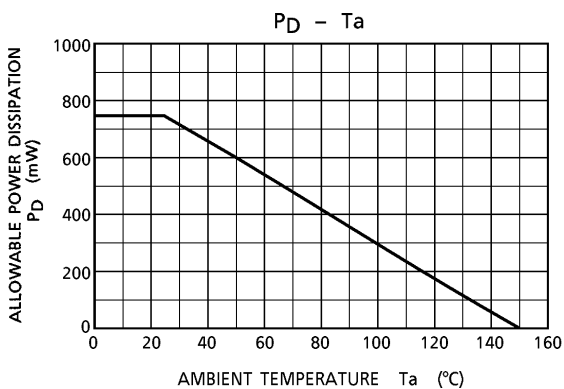
2PIN CONNECTION	DISPLAY	CONDITION
Terminated Ground	Light on No.1 LED	$V_{IN} = 0 \sim 0.4V$ (Typ.)
	Lighted All LED	$V_{IN} \geq 3.6V$ (Typ.)
Terminated $1k\Omega$ Between Ground	Without Lighted No.1 LED	$V_{IN} = 0 \sim 0.36V$ (Typ.)
	Light on No.1 LED	$V_{IN} \geq 0.36V$ (Typ.)

P_D CALCULATION AT 10LEDs

$$P_D = V_{CC} \times I_{CC1} + V_{OL} \times I_O \times 10 \quad (W)$$

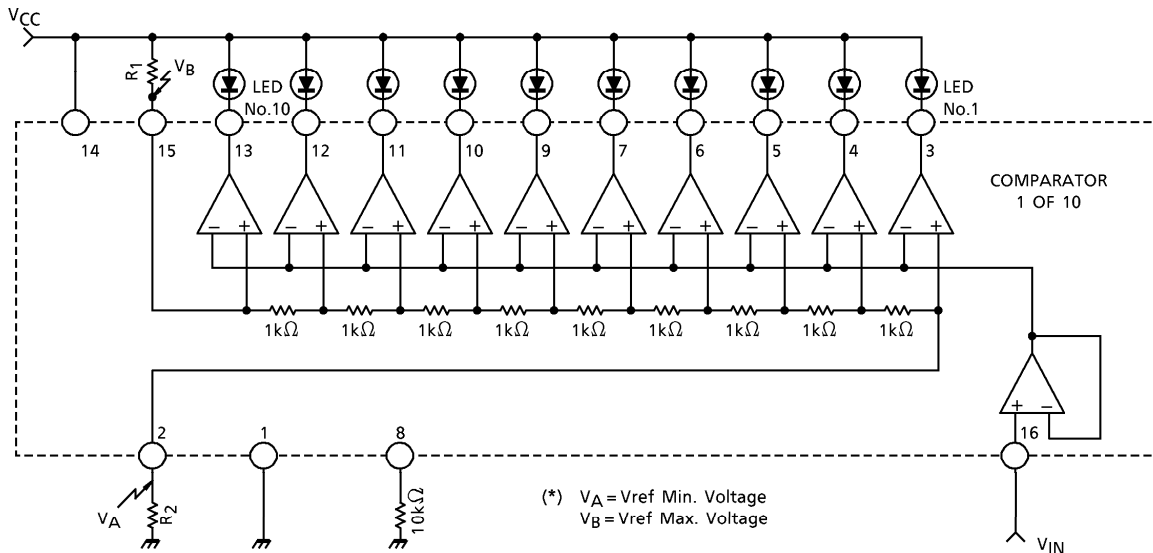


(Note) V_{OL} is : $V_{OL} = V_{CC} - V_F(LED) - R_L \times I_O$ (When each output is "ON".)



FUNCTIONAL DESCRIPTION

BLOCK DIAGRAM



The above simplified TA7612AP Block Diagram is to give the general idea of the circuit's operation.

1. General Operation

If V_{IN} Voltage greater than the first threshold but less than the second threshold is applied "No.1" LED is lighted, if the input voltage is between the second and the third threshold, then 'No.1 and No.2' LED are in operation and so on.

2. Adding R_1 and R_2 Operation

These resistors are to give the reference voltage of 10 comparators. And then above $V_B - V_A$ is to give the Input Voltage sensitivity of this device. R_1 and R_2 will be calculated as follows.

$$\frac{R_2}{R_1 + R_2 + 9\Omega} \times V_{CC} = V_A \dots\dots\dots (1)$$

$$\frac{R_2 + 9\Omega}{R_1 + R_2 + 9\Omega} \times V_{CC} = V_B \dots\dots\dots (2)$$

From (1) and (2)

$$R_1 = \frac{9 (V_{CC} - V_B)}{V_B - V_A} (k\Omega) \dots\dots\dots (3)$$

$$R_2 = \frac{9V_A}{V_B - V_A} (k\Omega) \dots\dots\dots (4)$$

MAXIMUM RATINGS (Ta = 25°C)

CHARACTERISTIC	SYMBOL	RATING	UNIT
Supply Voltage	V _{CC}	20	V
Power Dissipation (Note)	P _D	750	mW
Operating Temperature	T _{opr}	-30~75	°C
Storage Temperature	T _{stg}	-55~125	°C

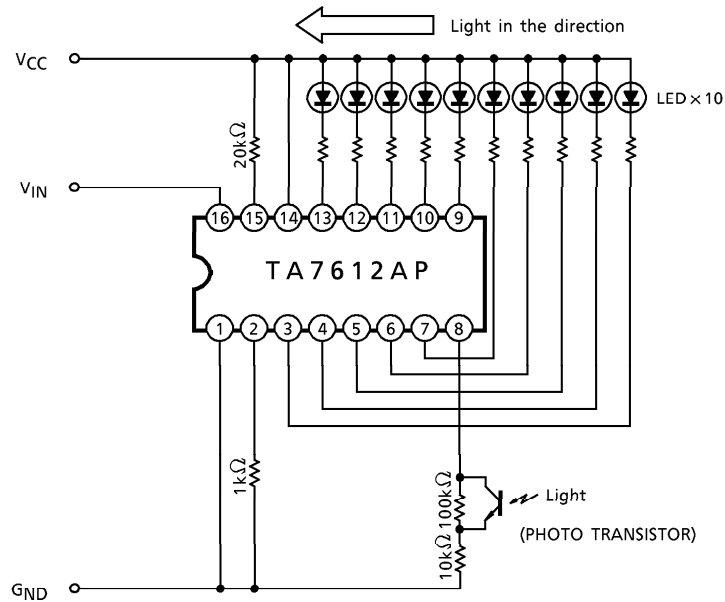
(Note) Derated above Ta = 25°C in the proportion of 6mW/°C.

ELECTRICAL CHARACTERISTICS (Ta = 25°C, V_{CC} = 12V)

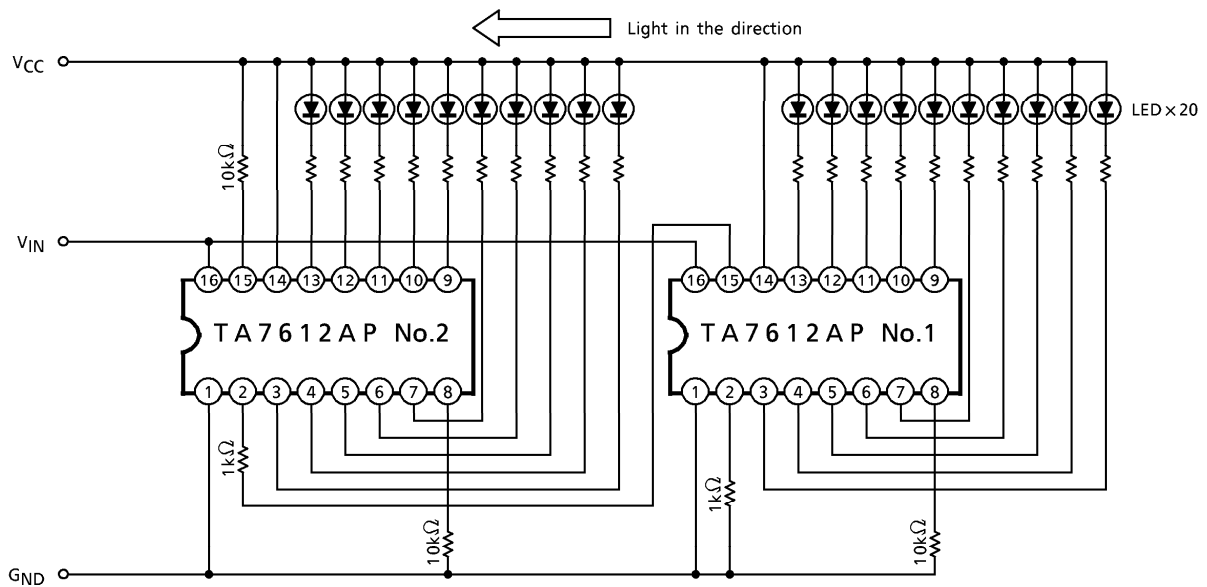
CHARACTERISTIC	SYMBOL	TEST CIRCUIT	TEST CONDITION	MIN.	TYP.	MAX.	UNIT
Supply Voltage	V _{CC}	—	—	6	12	15	V
Supply Current (1)	I _{CC1}	—	V _{ref} = 4V, V _{IN} = 0V	—	15	20	mA
Supply Current (2)	I _{CC2}	—	V _{ref} = 4V, V _{IN} = 4.1V I _O = 10mA × 10	—	150	160	mA
Input Bias Current	R _{TOT}	—	—	7	9	11	kΩ
Internal Resistance	I _{IN}	—	V _{IN} = GND	—	-0.25	-1	μA
Input Voltage Range	V _{IN}	—	—	0	—	8	V
Output Offset Voltage	V _{OFF}	—	V _{ref} = 4V	-40	—	40	mV
Output Voltage (High Level)	V _{OH}	—	V _{ref} = 4V, V _{IN} = GND R _L = 1.5kΩ	11.9	11.93	—	V
Output Voltage (Low Level)	V _{OL}	—	V _{ref} = 4V, V _{IN} = 4.10V R _L = 1.5kΩ	—	0.6	1.0	V
Output Current	I _O	—	V _{ref} = 4V, V _{IN} = 4.10V	—	7	12	mA
Leak Current	I _{IL}	—	V _{IN} = 4V V _{ref Max} = 0V, V _{ref Min} = 0V	—	—	15	μA

APPLICATION CIRCUIT

- 10 LEDs Applications

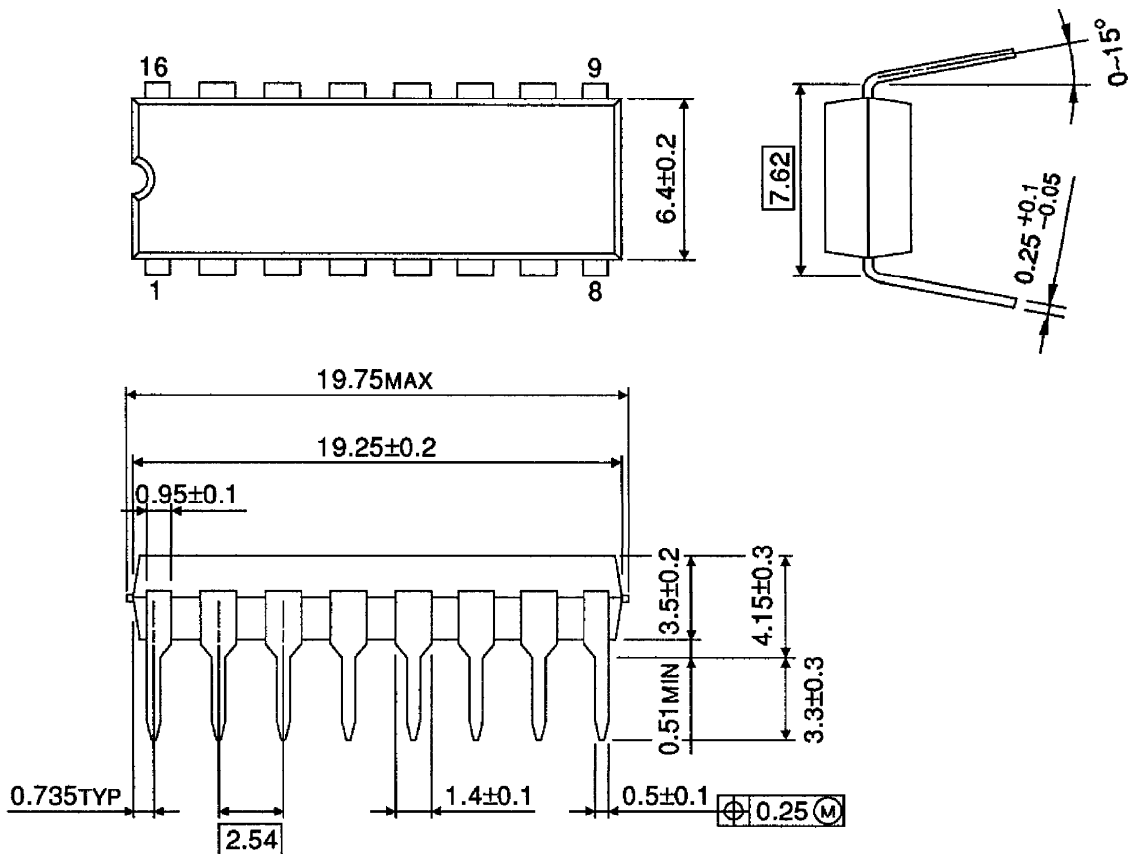


- 20 LEDs Applications



OUTLINE DRAWING
DIP16-P-300-2.54A

Unit : mm



Weight : 1.00g (Typ.)