

## 2.4GHz wireless audio streamer

## nRF24Z1

### FEATURES

- Low cost 0.18u CMOS process, 36 pin 6x6mm QFN package
- Single chip 2.4GHz RF transceiver
- 4Mbit/sec RF link
- Input sample rate up to 96kHz, 24bits
- Output sample rate up to 48kHz, 16bits
- Programmable latency
- Quality of Service engine supporting up to 1.536 Mbit/s LPCM audio
- S/PDIF interface for direct connection to PC soundcard and surround receivers
- I2S interface for glueless audio support
- SPI or 2-wire interface for up to 12 kbit/sec peak bi-directional digital control/AUX data
- On chip optional 2:1 compression
- On chip voltage regulators
- Few external components
- Uses global 2.4GHz band

### APPLICATIONS

- Compact Disk, CD quality headset
- MP3 / Mini Disk headset
- Speakers
- Surround speakers
- Microphone
- Musical instruments
- Audio streaming from PC soundcard to HiFi system
- Download MP3 files from PC to MP3 player
- Compressed video streaming

### GENERAL DESCRIPTION

nRF24Z1 gives you a true single chip system for CD quality audio streaming of up to 16 bit 48 kHz audio with support of up to 24 bit 96 kHz input. I2S and S/PDIF interfaces are supported for audio I/O. Seamless interfacing of low cost A/D and D/A for analog audio input and output. SPI or 2-wire (I2C compatible) serial interfaces for control. The circuit has embedded voltage regulators, giving maximum noise immunity and operation from a single 2.0V to 3.6V supply.

### QUICK REFERENCE DATA

Parameter	Value	Unit
Minimum supply voltage	2.0	V
Temperature range	-20 to +80	°C
Peak supply current in transmit @ -5dBm output power	15	mA
Peak supply current in receive mode	32	mA
Supply current in power down mode	4	µA
Maximum transmit output power	0	dBm
Audio sample rate	32, 44.1 or 48	kbps
Audio resolution	16	bit
Receiver sensitivity	-80	dBm

Table 1-1 nRF24Z1 quick reference data.



## ORDERING INFORMATION

Type number	Description	Version
nRF24Z1	36L QFN 6x6 mm	A
nRF24Z1-EVKIT	Evaluation kit	1.0

Table 1-2 nRF24Z1 ordering information.



## TABLE OF CONTENTS

FEATURES .....	1
APPLICATIONS .....	1
GENERAL DESCRIPTION .....	1
QUICK REFERENCE DATA .....	1
ORDERING INFORMATION .....	2
TABLE OF CONTENTS .....	3
1 Pin Assignment .....	6
2 Pin Function.....	7
3 Glossary of terms .....	8
4 Architectural Overview.....	9
4.1 Audio transmitter .....	11
4.1.1 I2S audio input .....	11
4.1.2 S/PDIF audio input .....	12
4.1.3 Serial control (slave) interfaces.....	12
4.1.4 Master interfaces .....	12
4.1.5 Direct data input pins .....	13
4.1.6 Interrupt output .....	13
4.2 Audio Receiver .....	13
4.2.1 I2S audio output .....	14
4.2.2 S/PDIF audio output .....	15
4.2.3 Master interfaces .....	15
4.2.4 Serial control (slave) interfaces.....	15
4.2.5 Parallel port and PWM.....	15
4.3 Blocks common to audio transmitter and receiver.....	16
4.3.1 XTAL Oscillator .....	16
4.3.2 Radio Transceiver .....	16
4.3.3 Quality of Service engine .....	16
4.3.4 Audio compression / Decompression .....	17
4.3.5 Power .....	17
4.3.6 IREF / RESET .....	17
5 Operation overview.....	18
5.1 Power on / RESET sequence .....	18
5.2 RF Link initialization .....	18
5.2.1 Idle state .....	18
5.2.2 Link-locate state .....	19
5.2.3 Synchronization state .....	19
5.3 Audio streaming .....	19
5.4 Audio receiver clock rate recovery.....	20
5.5 Data link.....	20
5.6 Power down mode.....	21
6 nRF24Z1 register MAP.....	22
6.1 Access from audio transmitter side.....	22
6.2 Access from audio receiver side .....	22
7 Digital I/O .....	25
7.1 Digital I/O behaviour during RESET.....	25


**nRF24Z1 wireless audio streamer**


---

7.2	Audio interfaces .....	25
7.3	I2S Audio Interface .....	25
7.4	S/PDIF Audio Interface .....	26
7.5	Audio interface functionality .....	27
7.5.1	ATX audio interface control .....	27
7.5.2	ARX audio interface control .....	30
7.5.3	I2S Audio interface timing .....	32
7.6	Serial master interfaces .....	33
7.6.1	Timing serial master interfaces .....	36
7.7	Control and GPIO interfaces .....	37
7.7.1	ATX control and GPIO pins .....	37
7.7.2	SPI slave interface .....	38
7.7.3	2-wire slave interface .....	38
7.7.4	General purpose input pins D[2:0] .....	40
7.7.5	ATX Control interface timing .....	41
7.7.6	ARX control interface options .....	42
7.7.7	ARX GPIO pins .....	43
7.8	Data Channel Timing .....	45
7.8.1	Forward data channel, data transfer from ATX to ARX .....	45
7.8.2	Return data channel, data transfer from ARX to ATX .....	46
8	Quality of service (Qos) and RF .....	48
8.1	Link algorithm .....	48
8.2	RF protocol .....	48
8.3	Adaptive frequency hopping .....	48
8.3.1	Adapting to the RF environment .....	50
8.4	Link registers .....	50
8.4.1	RF link latency .....	52
8.5	RF output power .....	53
9	Interrupts .....	54
10	RESET outputs .....	55
11	Power down control .....	56
11.1	Enter power down .....	56
11.2	Wake up from power down .....	56
11.2.1	External pin change .....	57
11.2.2	Timer controlled wake up .....	57
11.3	nRF24Z1 power saving example .....	58
12	Register update over the data link .....	60
13	Electrical Specification .....	61
14	Absolute maximum ratings .....	63
15	Package outline .....	64
16	Application Information .....	65
16.1	Antenna I/O .....	65
16.2	Crystal Specification .....	65
16.3	Bias reference resistor .....	65
16.4	Internal digital supply de-coupling .....	65
16.5	PCB layout and de-coupling guidelines .....	66
17	Application example .....	67
17.1	nRF24Z1 schematics .....	67



**nRF24Z1 wireless audio streamer**

---

17.2	nRF24Z1 layout .....	69
17.3	nRF24Z1 Bill of Material .....	71
18	References .....	73
19	Definitions .....	74
20	Your notes .....	75



# 1 PIN ASSIGNMENT

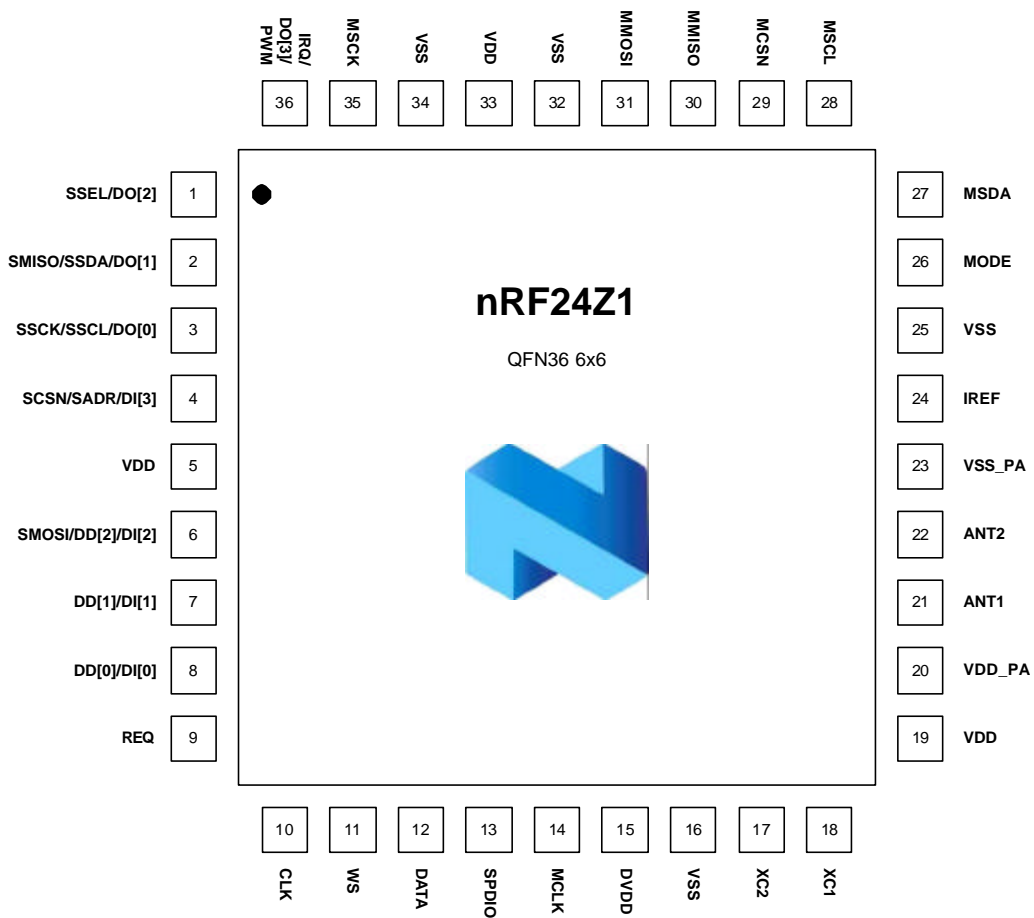


Figure 1-1: Pin assignment nRF24Z1



## 2 PIN FUNCTION

Pin	Name		Pin function		Description	
	Slave IF	ARX GPIO	Slave IF	ARX GPIO IF	ATX/ARX with slave IF	ARX with GPIO IF
1	SSEL	DO[2]	Dig. In	Dig. Out	Slave interface select 1: 2-wire, 0: SPI	GPIO out bit #2
2	SMISO /SSDA	DO[1]	Digital Output / Digital IO		Slave SPI serial out / Slave 2-wire data (bidir)	GPIO out bit #1
3	SSCK /SSCL	DO[0]	Dig. In	Dig. Out	Slave SPI clock / Slave 2-wire clock	GPIO out bit #0
4	SCSN /SADR	DI3	Digital Input		Slave SPI slave select / Address select 2-wire slave	GPIO in bit #2
5	VDD		Power		Power Supply (2.0-3.6 V DC)	
6	SMOSI /DD[2]	DI2	Digital Input		Slave SPI serial in / Direct data in bit #2	GPIO in bit #3
7	DD[1]	DI1	Digital Input		Direct data in bit #1	GPIO in bit #1
8	DD[0]	DI0	Digital Input		Direct data in bit #0	GPIO in bit #0
9	REQ		Dig. Out	Dig. In	I2S data request (programmable polarity)	
10	CLK		Dig. In	Dig. Out	I2S bit clock	
11	WS		Dig. In	Dig. Out	I2S word clock	
12	DATA		Dig. In	Dig. Out	I2S data signal	
13	SPDIO		Dig. In	Dig. Out	S/PDIF interface	
14	MCLK		Dig. Out		256X sample rate clock to ADC or DAC	
15	DVDD		Regulator output		Digital voltage regulator output for decoupling	
16	VSS		Power		Ground (0V)	
17	XC2		Analog output		Crystal Pin 2	
18	XC1		Analog input		Crystal Pin 1	
19	VDD		Power		Power Supply (2.0-3.6 V DC)	
20	VDD_PA		Regulator output		DC output (+1.8V) for RF interface (ANT1, ANT2)	
21	ANT1		RF		Antenna interface 1	
22	ANT2		RF		Antenna interface 2	
23	VSS_PA		Power		Ground (0V)	
24	IREF		Analog input		Connection to external Bias reference resistor, or RESET if pulled to VDD	
25	VSS		Power		Ground (0V)	
26	MODE		Digital Input		nRF24Z1 function 1 : audio transmitter, 0: audio receiver	
27	MSDA		Digital IO		Master 2-wire bi-directional data	
28	MSCL		Digital IO		Master 2-wire bi-directional clock	
29	MCSN		Digital Output		Master SPI primary slave select (active low)	
30	MMISO		Digital Input		Master SPI serial input	
31	MMOSI		Digital Output		Master SPI serial output	
32	VSS		Power		Ground (0V)	
33	VDD		Power		Power Supply (2.0-3.6 V DC)	
34	VSS		Power		Ground (0V)	
35	MSCK		Digital Output		Master SPI clock	
36	IRQ	DO[3] / PWM	Digital Output		Interrupt request	GPIO out bit #3 / PWM output

Table 2-1 nRF24Z1 pin function



### 3 GLOSSARY OF TERMS

Term	Description
ADC	Analog to Digital Converter
ARX	audio receiver
ATX	audio transmitter
CD	Carrier Detect
CHPA	SPI clock phase
CLK	Clock
CPOL	SPI clock polarity
CRC	Cyclic Redundancy Check
DAC	Digital to Analog Converter
DSP	Digital Signal Processor
EEPROM	electrical erasable programmable read only memory
Flash	Flash memory
GFSK	Gaussian Frequency Shift Keying
GPIO	General Purpose In Out
I2S	3 wire audio serial interface
ISM	Industrial-Scientific-Medical
LPCM	linear PCM (pulse code modulation)
MBZ	Must Be Zero (reserved for future extensions)
MCU	Micro Controller Unit
MP3	a popular compressed audio format
PWM	Pulse Width Modulation
QOS	Quality Of Service
RX	Receive
S/PDIF	one wire serial digital audio format
SPI	Serial Peripheral Interface
TX	Transmit
2-wire	2-wire serial interface compatible with I2C

Table 3-1 Glossary of terms nRF24Z1.





## 4 ARCHITECTURAL OVERVIEW

nRF24Z1 is a 4 MBit/s single chip RF transceiver that operates in the world wide 2.4 GHz licencee free ISM band. The nRF24Z1 is based on the proven nRF24xx radio and ShockBurst™ platforms from Nordic Semiconductor.

The device offers a wireless channel for seamless streaming of LPCM or compressed audio in parallel with a low data rate control channel. To enable this, the device offers the following features in addition to the nRF24xx RF platform:

- Standard digital audio interfaces (I2S, S/PDIF)
- Fully embedded Quality of Service engine that handles all RF protocol and RF link tasks.
- SPI and 2-wire master and slave control interfaces
- GPIO pins

As all processing related to audio I/O, RF protocol and RF link management is embedded, the device offers the end application an up to 1.54 MBit/s transparent audio channel without any true time processing needed. nRF24Z1 can be utilized in systems without external microcontroller or by a simple microcontroller that only need to handle low speed tasks over the serial or parallel ports (ex: volume up/down).

A typical system using nRF24Z1 can be seen in Figure 4-1

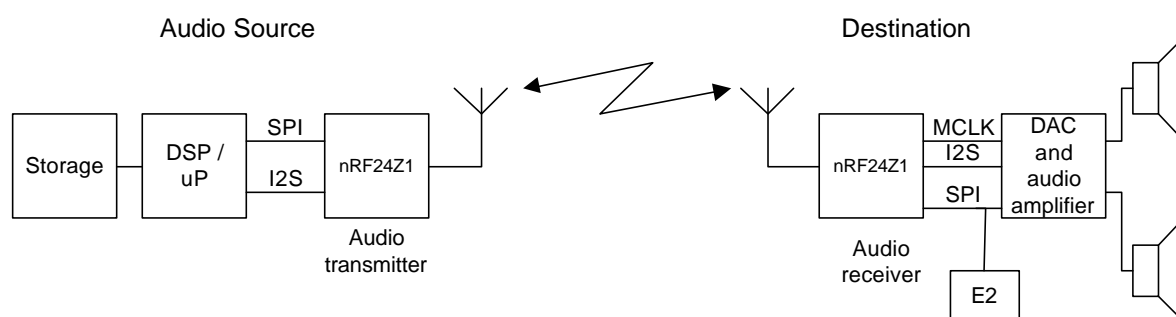


Figure 4-1 Typical audio application using nRF24Z1

In this system a DSP or micro controller feeds data from storage to nRF24Z1 using standard audio format (I2S). A nRF24Z1 pair transfers the audio data and presents it to a stereo DAC on the other side. For other parts of the application, the nRF24Z1 link will in other words look like an open channel (like a cable).

Initial configuration of nRF24Z1 is done by the micro controller through a SPI or 2-wire control interface. On the destination side, peripherals like a DAC can be controlled from the audio source side through the control channel offered by nRF24Z1. In designs without an external micro controller, configuration data can be loaded by nRF24Z1 from an optional EEPROM/FLASH memory, enabling it to operate stand alone with limited feature set.



A wireless system that is streaming audio will have a very asymmetrical load on the RF link since audio data is fed from an audio source (CD player) to a destination (loud speakers). From the destination back to the audio source only service and control communication is needed.

nRF24Z1 are used both on the audio source side (ex. in a CD player) transmitting audio data, and in the 'destination' (loud speaker) side receiving audio data. Due to the asymmetry, nRF24Z1 has two main modes set by external pin MODE, depending on which side of the link it is put. The two modes have significant differences both in internal and I/O functionality.

To ease understanding of nRF24Z1 operation, the following notation is introduced:

- Audio transmitter (ATX) – nRF24Z1 on the audio source side, transmitting audio data
- Audio receiver (ARX) – nRF24Z1 on the destination side, receiving audio data

Transmitter and receiver are here referring to the flow of the audio; the nRF24Z1 RF front end always runs a full two way link.

The nRF24Z1 control and data channel is a two way low data rate channel superimposed on the audio and service communication. The audio transmitter is designated master meaning that when a RF link is present 2-wire, SPI, GPIO and internal registers in the audio receiver can be seen and controlled as a virtual extension of the audio transmitters own I/O and registers. The implications of this is that external devices like audio DAC or volume control components connected to the audio receiver effectively can be controlled by input to the audio transmitter. User actions (ex: push of a button) on the audio receiver side are similarly fed back to and can be processed on the audio transmitter side.

The following sections will give an overview of the I/O, main modules and functionality of nRF24Z1. Due to the differences in ATX and ARX, the overview will present the modes separately.



## 4.1 Audio transmitter

When nRF24Z1 is put at the audio source side of the RF link, MODE must be high and nRF24Z1 becomes an audio transmitter (ATX). The block schematic of nRF24Z1 in ATX mode can be seen in Figure 4-2.

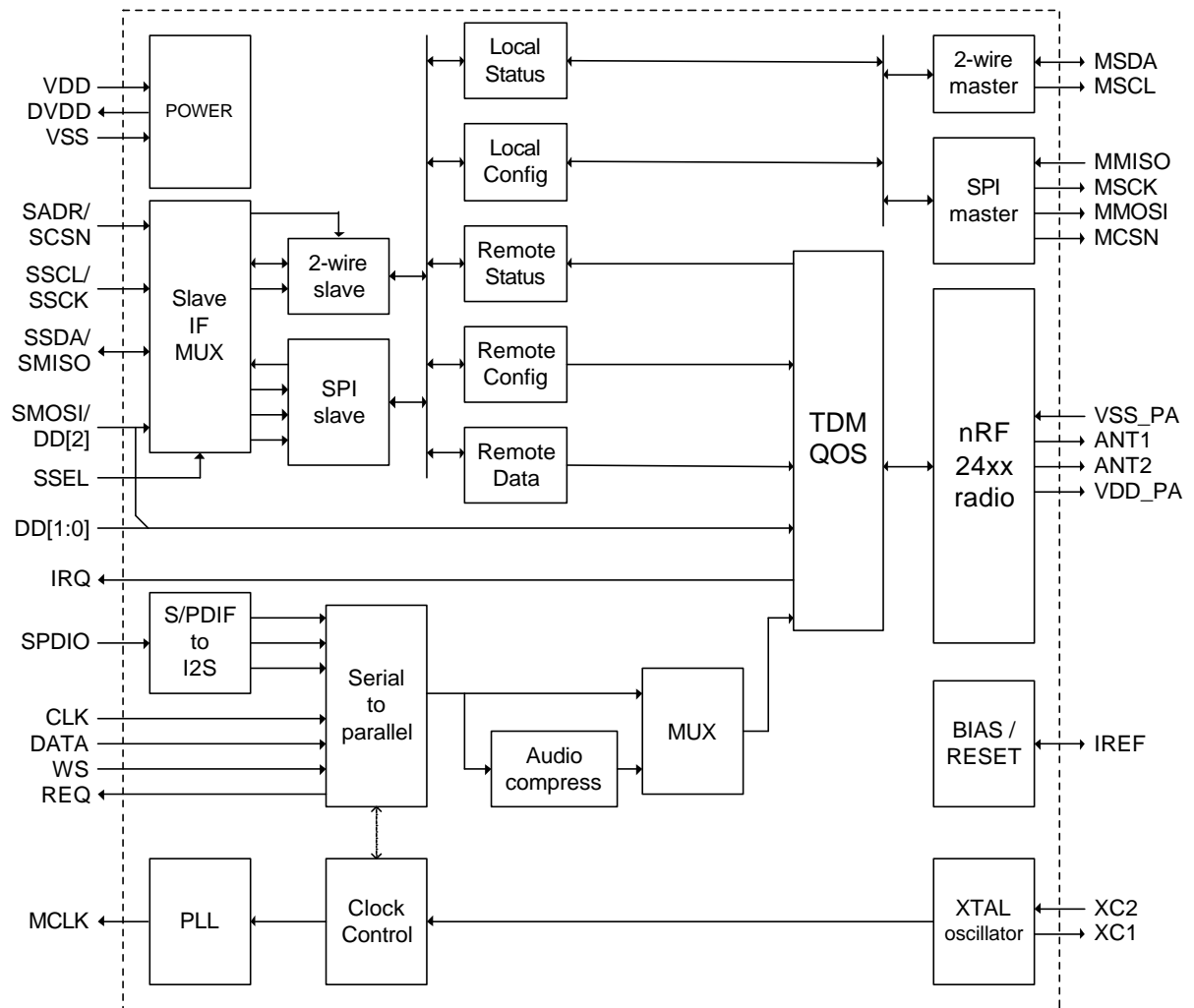


Figure 4-2 nRF24Z1 ATX mode block diagram

The I2S or S/PDIF interfaces can be used for audio data input or alternatively the device may stream other real-time data from a DSP over the I2S interface.

### 4.1.1 I2S audio input

For seamless input from audio sources physically close to nRF24Z1, I2S is the preferred interface. The I2S interface consists of pins CLK, DATA and WS. The interface supports

**nRF24Z1 wireless audio streamer**

---

sample rates of 32, 44.1, 48 and 96 kHz. Data may be in 16, 20 or 24 bit format.<sup>1</sup> The data rate is automatically detected.

I2S may also be used with an external stereo ADC for analog audio sources. The nRF24Z1 offers a 256 times audio sampling rate clock ( $f_s$ ) on the MCLK pin to be used as system clock for the ADC.

A REQ output is available for pacing the data-flow when streaming MP3 and other “data” streams over the I2S interface.

**4.1.2 S/PDIF audio input**

For audio sources physically more remote, the ATX offers a (CMOS level) S/PDIF input on pin SPDIO. This interface supports 32, 44.1 or 48 kHz sampling rates with resolution of 16, 20 or 24 bit. It supports both linear and nonlinear audio according to IEC standards, see ch. 7.4 for details.

**4.1.3 Serial control (slave) interfaces**

When ATX is controlled by an external MCU, configuration and control data both for the audio transmitter itself and a linked audio receiver may be entered via a 2-wire or SPI slave serial interface. The same interface is used for reading back status information. The register map is identical for both interfaces, but only one of the interfaces, selected by SSEL pin, may be used in a given application.

The two interfaces are :

SSEL = 0; SPI (pins SCSN, SSCK, SMISO, SMOSI).

SSEL = 1; 2-wire (pins SADR, SSCL and SSDA)

Pin SADR is not part of a standard 2-wire interface but selects one of two possible bus addresses for the nRF24Z1.

**4.1.4 Master interfaces**

For standalone operation of nRF24Z1, a serial EEPROM or FLASH memory may be connected to a SPI or 2-wire master interface. If a memory is present at any of these interfaces during power up or reset, the device will read default configuration data from the memory.

The SPI master is found on pins MCSN, MMISO, MMOSI and MSCK and 2-wire master on pins MSDA and MSCL.

---

<sup>1</sup> This specification item is for the I2S input interface. Not all of these formats can be transferred within the available 1.54 Mbit/s data rate.



#### **4.1.5 Direct data input pins**

The ATX has 2 general purpose input pins, DD[1:0], that may be transmitted directly to and hence mirrored on the audio receiver. When SSEL is set high (2-wire interface selected), one additional direct data pin (DD[2]) is available. If the logic level on pins DD[2:0] are mirrored (copied) over the control link, pins DO[2:0] on the audio receiver will carry the mirrored signal.

These pins may hence be used to switch on/off audio receiver peripherals without microprocessor activity.

#### **4.1.6 Interrupt output**

The nRF24Z1 can interrupt the external application through pin IRQ based on a number of sources such as no audio input detected, loss of RF communication etc.

Once IRQ has triggered external MCU, interrupt status can be read, through the serial control interface.

### **4.2 Audio Receiver**

When nRF24Z1 is put at the destination side of the RF link, MODE must be low and nRF24Z1 becomes the audio receiver (ARX). The block schematic of nRF24Z1 in ARX mode can be seen in Figure 4-3. I2S or S/PDIF are now used for audio or other real time data output.

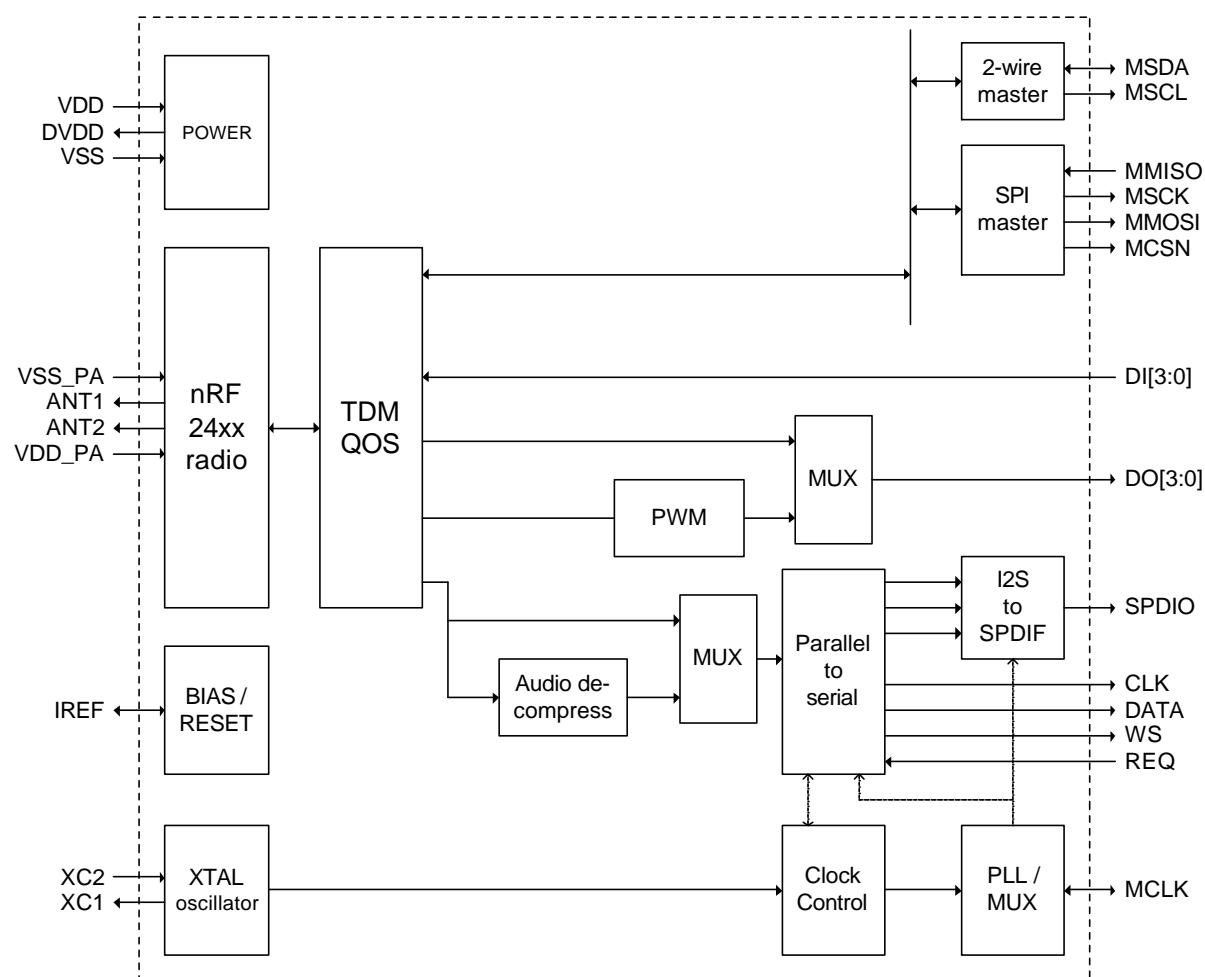


Figure 4-3 nRF24Z1 ARX mode block diagram

After a link is established the user can control the SPI and 2 wire master from the audio transmitter. In this way the audio transmitter is able to control audio receiver serial peripherals like audio DACs and amplifiers.

#### 4.2.1 I2S audio output

Audio output to devices physically close to nRF24Z1 (typically a stereo DAC) are normally driven by the I2S output (pins CLK, DATA and WS). The interface supports sample rates of 32, 44.1 and 48 kHz. Data are in 16 bit format.

In audio receiver mode the MCLK pin provides 256 times  $f_s$  clock for an external DAC.

A REQ input is available for pacing the data-flow when streaming MP3 or other “data” streams over the I2S.



### 4.2.2 S/PDIF audio output

For physically more remote audio devices, the audio receiver provides an S/PDIF (full swing CMOS) output on pin SPDIO. This interface supports 32, 44.1 and 48 kHz, 16 or 24 bit data. It supports both linear and nonlinear audio according to IEC standards, see ch. 7.4 for details.

### 4.2.3 Master interfaces

A serial EEPROM or FLASH memory may be connected to a SPI or 2-wire master interface. If a memory is present at any of these interfaces during power up or reset, the device will read default configuration data from that memory; otherwise hard coded default values will be used.

During audio receiver configuration, the SPI master (pins MMSCK, MMISO, MMOSI, MCSN) is operated at 1MHz or 0.5MHz with the SPI format set to CPOL=0,CHPA=0 for EEPROM/FLASH compatibility. After a link is established, the user may control the SPI master from the audio transmitter. The available clock speed is up to 8 MHz over the full operation range of the device.

During start-up, the audio receiver operates the 2-wire master (MSDA, MSCL) interface at 100 kHz. After a link is established, the user may control the 2-wire master from the audio transmitter to 100kHz, 400kHz or 1MHz.

### 4.2.4 Serial control (slave) interfaces

When ARX is controlled by an external MCU, configuration and control data for the audio receiver may be entered via a 2-wire or SPI slave serial interface. The same interface is used for reading back status information. The register map is identical for both interfaces, but only one of the interfaces, selected by SSEL pin, may be used in a given application. The two interfaces are :

SSEL = 0; SPI (pins SCSN, SSCK, SMISO, SMOSI).  
SSEL = 1; 2-wire (pins SADR, SSCL and SSDA)

Pin SADR is not part of a standard 2-wire interface but selects one of two possible bus addresses for the nRF24Z1.

### 4.2.5 Parallel port and PWM

Alternatively to the serial slave interfaces, ARX can be configured with an 8 bit parallel port, which can be controlled and read from the audio transmitter. There are 4 input pins DI[3:0] that are continuously monitored when a link is up. Changes on any of these inputs will be sent back to the audio transmitter where it can be accessed in a register (via the serial control interface). The audio receiver can also be programmed to wake up from power down mode on a change on one of these pins.



There are 4 outputs DO[3:0] that are controlled from the audio transmitter. Any of these may be programmed for high current in order to drive LEDs or for standard CMOS to control of other devices on the audio receiver board.

DO3 may be programmed to output a PWM signal, where the output duty cycle is programmable with 8-bit resolution from the audio transmitter. Note that this PWM cannot be used as audio DAC

The output pins DO[3:0] may also function as slave select signals if multiple slaves are present on the ARX SPI master bus.

### **4.3 Blocks common to audio transmitter and receiver**

#### **4.3.1 XTAL Oscillator**

The crystal oscillator will provide a stable reference frequency with low phase noise for the radio and audio functions. See section 16.2 for full Crystal Specification.

#### **4.3.2 Radio Transceiver**

The RF transceiver part of the circuit is a member of nRF24xx family of low power highly integrated 2.4GHz ShockBurst™ transceivers. The transceiver interface is optimized for high speed streaming of up to 4 Mbps. Output power and some protocol parameters can be controlled by the user via the QoS module.

#### **4.3.3 Quality of Service engine**

The primary function of the quality of service engine is to deliver a robust communication channel between the audio transmitter and audio receiver in an audio streaming application.

Several data streams with different properties are handled. The available bandwidth is shared between audio data, service data and remote data.

Data integrity is ensured through a number of RF protocol features:

1. Packets of data are sent in frames and integrity of each packet is ensured as every packet has a complete build of *RF address*, *payload* and *CRC*.
2. Packets that are lost or received with errors are handled by the error correction level of the quality of service engine; a two way, acknowledge protocol:  
When a packet is received by ARX, it's registered and CRC is checked. After ARX has received a frame it sends a packet back to ATX acknowledging the packets that where successfully transferred. Packets lost or received with errors will be re-sent from ATX in the next frame.
3. Finally the information (audio data) is spread over the 2.4 GHz band by use of an adaptive frequency hopping algorithm. Through this a nRF24Z1 link can handle RF propagation challenges like reflections and multi-path fading and not least avoid



**nRF24Z1 wireless audio streamer**

---

heavily trafficked areas of the 2.4 GHz band. The 2.4 GHz band is a world wide open RF band and co-existence with RF systems such as Bluetooth, ZigBee, WLAN/WiFi as well as other nRF applications, is increasingly important.

nRF24Z1 constantly monitors the quality of the RF link and numbers indicating total link quality are available for external control devices in registers. nRF24Z1 can also be set to interrupt external controller devices upon poor link quality before RF link is lost. An external controller device can hence take further actions to improve link quality or warn end user if RF link margins are poor.

The secondary function of the QoS module is to run a link initialization algorithm which manages initial connect and re-connect if link is lost (ex: out of range) between paired nRF24Z1's. Several schemes are available to enable nRF24Z1 connection without end user involvement.

**4.3.4 Audio compression / Decompression**

Default operation for nRF24Z1 is streaming of uncompressed audio, however there is some optional low delay audio compression options available. This function can be enabled by the user to conserve power or to increase the dynamic range with a constant signal to noise ratio for 24-bit input signals.

**4.3.5 Power**

The power section of nRF24Z1 offers linear regulated supply to all internal parts of the device. This makes the device very robust towards external voltage supply noise and isolates (audio) devices in an application from noise generated the nRF24Z1.

**4.3.6 IREF / RESET**

The IREF pin sets up the bias reference for the nRF24Z1 by use of an external resistor. Pulling IREF to VDD will reset the device. When IREF pin is released, nRF24Z1 runs a full configuration procedure.



## 5 OPERATION OVERVIEW

### 5.1 Power on / RESET sequence

When supply is applied, nRF24Z1 goes into power on reset. The reset is held until supply voltage is kept above minimum supply voltage for a few milliseconds. Pulling IREF to VDD will also put the device into reset.

When reset (power on or IREF high) is released the device needs to be configured. There are 2 ways nRF24Z1 can be configured:

1. After reset nRF24Z1 will look for an external EEPROM/FLASH memory on the SPI master interface. If such a memory is present, configuration data is loaded, which means that all registers values are read from the external memory. If no memory is present on the SPI master interface, the procedure is repeated on the 2-wire master interface. These data will override any initial content of nRF24Z1 registers.
2. If no external memory is present:  
For both ATX and ARX an external micro processor must configure the nRF24Z1 through the slave SPI or 2-wire serial interface, otherwise hard coded initial register content is used.

#### NOTE:

A combination of the two power-up sequences may well be used. One likely scenario is that ATX is configured by external MCU and ARX is configured from an external EEPROM/FLASH memory.

nRF24Z1 will now start a link initialization procedure based on the link configuration data. The value of the MODE pin determines whether it will be in ATX or ARX mode.

### 5.2 RF Link initialization

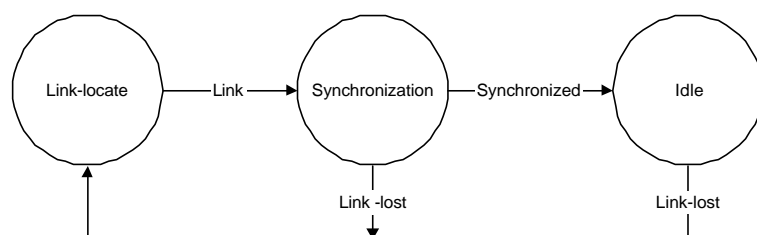


Figure 5-1 : link initialisation algorithm

#### 5.2.1 Idle state

The nRF24Z1 link initialisation algorithm will be in its idle state when a link is established, and the channel hopping engine is initiated and synchronized.



### 5.2.2 Link-locate state

When the link between ATX and ARX is broken, a special link-locate routine is initiated on both sides to establish a new link, see Figure 5-1. During initialization nRF24Z1 derives a set of channels from register CHP1, CHP2 and CHP3, which will be used during channel hopping in idle state. These channels are also utilized by the link-locate routine when acquiring a feasible startup channel for the new link.

#### - Link-locate on ATX

ATX tries to establish a link with ARX by iteratively sending short search packages on all available channels until acknowledge is received from ARX. ATX will send one package on each channel and wait for acknowledge for a specific time which is long enough to secure that ARX has time to respond. The accumulated time used by ATX while looping through all available channels is here defined as the ATX-loop-time. After receiving an acknowledge package from ARX, ATX will enter the synchronization state as described in Figure 5-1.

#### - Link-locate on ARX

ARX tries to establish a link with ATX by listening for incoming search packages on all available channels until such is received. When a search package is received, ARX will proceed by sending one acknowledge package to confirm a feasible link. ARX will listen for incoming search packages on each channel for a fixed time which is larger than the ATX-loop-time, which will guarantee at least one search package to get through on each available channel used by ARX, as long as this channel is not being occupied by another radio device. After sending the acknowledge package, ARX will enter the synchronization state.

### 5.2.3 Synchronization state

This state takes care of synchronizing the channel hopping engine on ATX and ARX, to secure that both parts follows the same hopping sequence. ATX takes initiative for starting the channel hopping engine, by sending a start condition to ARX about when to start hopping. Which channel to start from is implicitly found during the link-locate state.

## 5.3 Audio streaming

The audio data fed to the audio interfaces on a nRF24Z1 in ATX mode can be of a number of common digital audio stream formats :

I2S (audio serial) interface:

- left justified, I2S and right justified

S/PDIF interface:

- Consumer Linear PCM Audio described in IEC 60958-3. nRF24Z1 has a single ended CMOS interface, so to fulfil the electrical requirements external adaptation circuitry is needed.



- **Non-Linear PCM Audio.** As described in IEC 61937-1 (General) and IEC 61937-2 (Burst-info). The nRF24Z1 is transparent to the specific audio compression algorithms used, so it covers all the described formats in IEC 61937-3 to 61937-7.

In ATX the audio stream formats are converted to the nRF24Z1 RF protocol and transferred over the air.

In the ARX the data are validated and converted back to audio stream format and fed to the corresponding audio output interface.

#### **5.4 Audio receiver clock rate recovery**

In all RF systems streaming 'true time' data, maintaining equal datarates on both sides of RF link, is a big challenge. In other words; keeping the master clock (MCLK) for the DAC on the receiving side, equal to the clock used to feed data into the RF device on the transmitter side.

If these two clocks are not equal the receiving end will either run out of samples for the DAC or overflow hence need to skip some.

Usually this problem is solved by use of very thight tolerance crystals (expensive) or extensive digital filtering (high current consumption) only masking or interpolating the bits missing in the stream.

nRF24Z1 solves this problem without tight tolerance crystal or extensive digital filtering.

As long as the nRF24Z1 quality of service engine is able to maintain a RF link, the ARX (audio receiver) locks its master clock output (MCLK) to the speed the audio stream actually is fed into the ATX on. The MCLK signal on the ARX side is hence locked to the reference (crystal) of the device (DSP, MCU, DECODER) feeding the audio data to the ATX and not the crystal of the nRF24Z1 devices (ATX or ARX) themselves.

One exception; if the MCLK output option is used in audio transmitter (clocking an external ADC for instance) the crystal on the nRF24Z1 in ATX mode is the reference for the audio speed on the entire nRF24Z1 link.

This offers the end application a true loss less audio channel.

#### **5.5 Data link**

There is a 2-way, low bit rate, robust, control and data link running in parallel with the audio stream. This data link is a part of the quality of service overhead, i.e. difference between on the air data rate (4 MBit/s) and audio data rate 1.5 MBit/s. Data link rate can hence not be traded for higher audio data rate. The functionality of the control and data link is illustrated in Figure 5-2.



**nRF24Z1 wireless audio streamer**

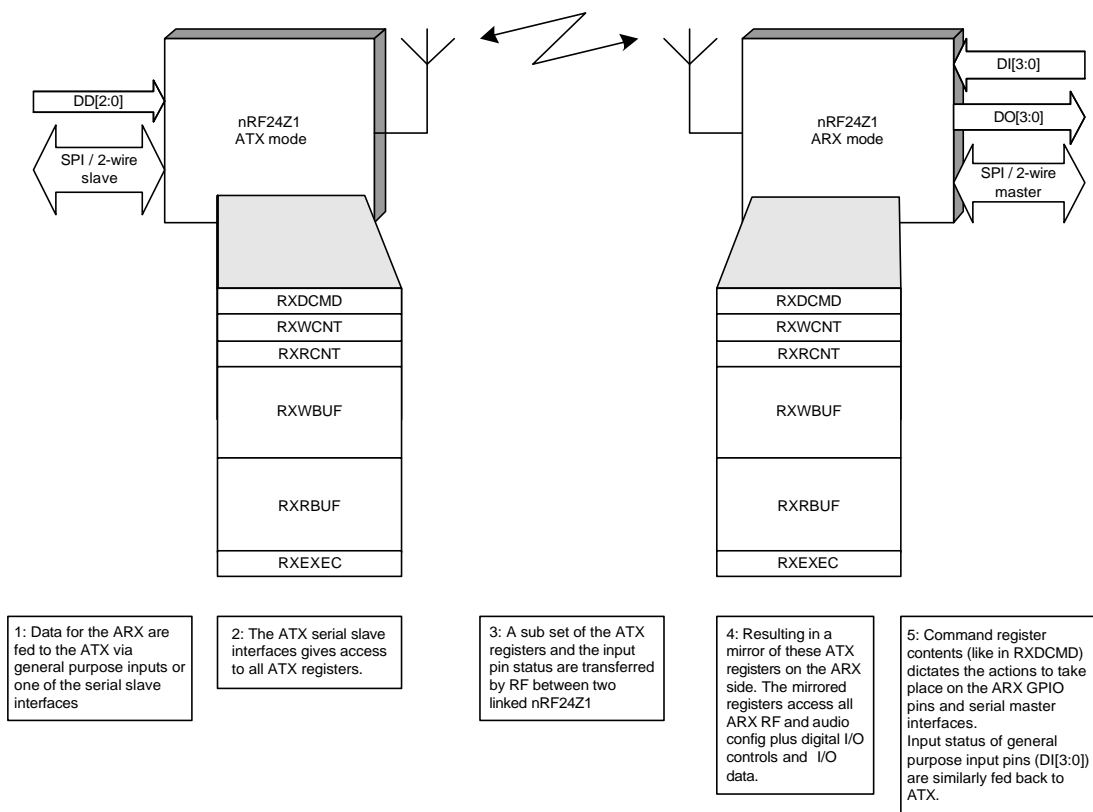


Figure 5-2 nRF24Z1 control and data link

Through the control and data link the ATX has full control over all registers related to ARX configuration and can access ARX GPIO (for LED's etc.) and the ARX 2-wire and SPI master interface for configuring of DAC's, volume control and other peripheral functions.

**5.6 Power down mode**

nRF24Z1 has a power saving mode called "Power down". In this mode, the quality of service engine is shut down, and only a low frequency oscillator and some timers are running. The power down mode can be left upon sleep timer time out or on external pin event. The ATX and ARX will now go up and start the link initialization routine as described in section 5.2. The sleep timers also enable the nRF24Z1 to shut down again if no counterpart is found on the air or no audio input is detected. ARX may also be put in and out of power down mode by toggling a pin.



## 6 NRF24Z1 REGISTER MAP

nRF24Z1 contains several control and status registers, which are listed in the table below. The registers may be accessed by an external MCU via the (SPI or 2-wire) slave interface. The registers are organized functionally into 6 groups; ATX, Link and ARX control and status, and Data link. All registers are present both in audio transmitter and audio receiver. The initial value of all registers is read from EEPROM (if present) immediately after reset, otherwise the initial values in Table 6-1 applies.

### 6.1 Access from audio transmitter side

If a MCU on the audio transmitter side writes to a register, the audio transmitter version of the register is written, and registers TXCSTATE, LNKCSTATE, RXCSTAT, RXEXEC controls whether also the audio receiver version of the register is written via the data link.

- If it is a ATX control register, register TXCSTATE controls if also the audio receiver version of the register is written via the data link
- If it is a Link control register, register LNKCSTATE controls if also the audio receiver version of the register is written via the data link
- If it is a ARX control register, register RXCSTATE controls if also the audio receiver version of the register is written via the data link

See ch. 12 for details about how control registers are updated via the data link, and Table 7-10 about data link registers.

A MCU on the audio transmitter side can read all registers on its side, plus the Link status, ARX status and data link registers, which are read from audio receiver via the data link.

### 6.2 Access from audio receiver side

If a MCU on the audio receiver side writes to a register, only the audio receiver version of the register is written, and it is not sent via the data link to the audio transmitter. Which implies that a MCU on audio transmitter will not know about it, but as mentioned above, ATX MCU may read status registers via the link anytime. A MCU on the audio receiver side can read all registers on its side, but it cannot read anything via the link. In brief ARX MCU only has local access, while ATX MCU controls the data link.



Address Hex	Register	R/W	Initial Hex	Description
<b><i>ATX registers</i></b>				
0x01	TXSTA	R	0x40	Table 7-4, page 28
0x20	TXDD	R	0x00	Table 7-15, page 40
0x02	INTSTA	R	0x00	Table 9-1, page 54
0x1A	TXMOD	R/W	0x01	Table 7-6, page 29
0x11	TXFMT	R/W	0x00	Table 7-5, page 28
0x12	TXLAT	R/W	0x00	Table 8-6, page 53
0x13	INTCF	R/W	0x00	Table 9-1, page 54
0x14	I2SCNF_IN	R/W	0x00	Table 7-6, page 29
0x15	I2SRAT	R/W	0x00	Table 7-7, page 30
0x16	TXPWR	R/W	0x03	page 53
0x17	TXSTI[0]	R/W	0x00	page 58
0x18	TXSTI[1]	R/W	0x00	page 58
0x19	TXWTI	R/W	0x00	page 58
0x10	TXRESO	R/W	0x00	page 55
0x1B	TXCSTATE	R/W	0x00	page 60
<b><i>LINK status registers</i></b>				
0x03	LNKSTA	R	0x00	page 52
0x04	LNKQ	R	0x00	page 51
0x05	LNKERR	R	0x00	page 51
<b><i>LINK control registers</i></b>				
0x30	LNKMOD	R/W	0x00	page 52
0x31	LNKWTH	R/W	0xff	page 51
0x32	LNKETH	R/W	0xff	page 51
0x35	CHP1	R/W	0x01	page 49
0x36	CHP2	R/W	0x12	
0x37	CHP3	R/W	0x05	
0x38	ALEN	R/W	0x05	page 48
0x39 -0x3D	ADDR[0:4]	R/W	0x01	page 49
0x3E	LNKCSTATE	R/W	0x00	page 60
<b><i>ARX status registers</i></b>				
0x06	RXSTA	R	0x00	page 42
0x07	RXPIN	R	0x00	Table 7-22, page 45
<b><i>ARX control registers</i></b>				
0x4A	RXMOD	R/W	0x00	Table 7-8, page 31
0x41	RXPPIO	R/W	0x00	Table 7-20, page 44
0x42	RXPWME	R/W	0x00	Table 7-21, page 44
0x43	RXPWMD	R/W	0x00	Table 7-21, page 44
0x44	I2SCNF_OUT	R/W	0x00	Table 7-8, page 31
0x45	RXWAKE	R/W	0x28	page 57
0x49	RXPWR	R/W	0x00	page 53



## nRF24Z1 wireless audio streamer

0x46	RXSTI[0]	R/W	0x00	page 58
0x47	RXSTI[1]	R/W	0x00	page 58
0x48	RXWTI	R/W	0x00	page 58
0x40	RXRESO	R/W	0x00	page 55
0x4B	RXCSTATE	R/W	0x00	page 60
<b><i>Data link registers</i></b>				
0x70	RXDCMD	R/W	0x82	Table 7-10, page 34
0x71	RXWCNT	R/W	0x00	Table 7-11, page 35
0x72	RXRCNT	R/W	0x00	
0x50-0x5f	RXWBUF	W	0x00	
0x60-0x6f	RXRBUF	R	0x00	
0x74	RXEXEC	W/R	0x00	

Table 6-1 nRF24Z1 register listing

In the following chapters, the nRF24Z1 registers are described sorted by function.





## 7 DIGITAL I/O

This section describes the digital I/O pins, control registers and important interface timing of the nRF24Z1.

The digital I/O pins of the nRF24Z1 are divided into three groups:

1. Audio interfaces
2. Serial master interfaces
3. Control and GPIO interfaces

### 7.1 Digital I/O behaviour during RESET

During reset all digital pins, except the master SPI interface output pins, are set as inputs to avoid driving conflicts. The master SPI pins MCSN, MSCK and MMOSI are set to output high, that is, in inactive SPI state, ready to read EEPROM configuration data, which is the first thing to happen after reset. All pins will remain in their respective direction until one of the configuration read routines described in section 5.1 is finished, and thereafter I/O pins are set according to new configuration data.

### 7.2 Audio interfaces

The audio interface group are defined as the I2S and S/PDIF interfaces plus the MCLK and REQ pins.

Pin name	Function
CLK	bit clock
WS	word sync clock
DATA	audio data
MCLK	256 * audio fundamental sample rate output, see Table 7-4 .
REQ	data request, used for burst type data, see Table 7-7.
SPDIO	S/PDIF serial in- or output, see ch. 7.4.

Table 7-1 serial audio port pins

### 7.3 I2S Audio Interface

nRF24Z1 has a three-wire serial audio port which can be configured to be compatible with different serial audio formats. In ATX mode, the audio port is in slave (receive) mode. In ARX mode, the audio port is in master (transmit) mode. The audio port consists altogether of 6 pins, see Table 7-1.

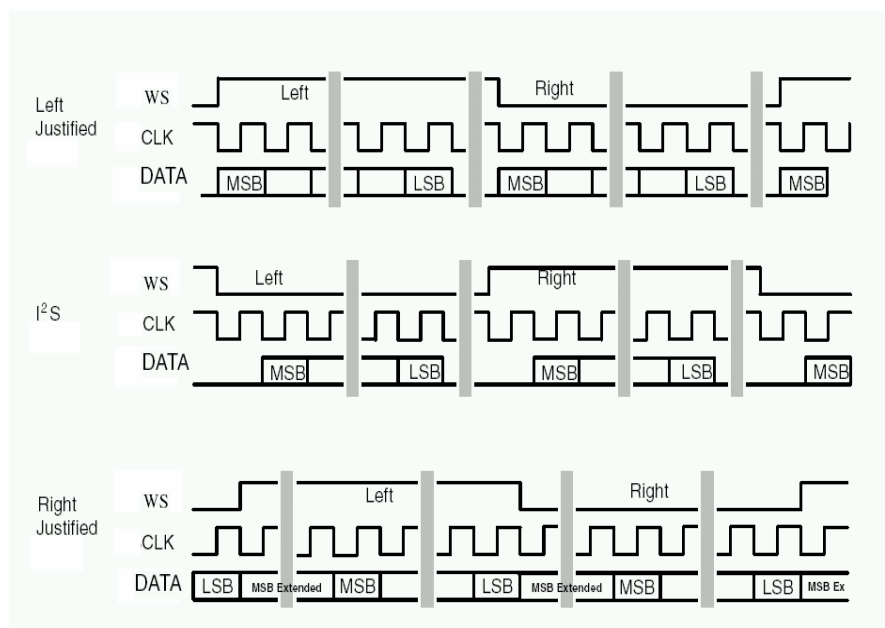


Figure 7-1 : some serial audio formats

audio format	I2SCNF[3:0] value
Left justified	0xA
I2S	0x0
Right Justified	0xB

Table 7-2 : Example of I2SCNF setting for some common serial audio formats, applies to both I2SCNF\_IN and I2SCNF\_OUT registers.

See also Table 7-7 and Table 7-8.

#### 7.4 S/PDIF Audio Interface

nRF24Z1 supports the following formats of the S/PDIF interface:

- Consumer Linear PCM Audio described in IEC 60958-3. nRF24Z1 has a single ended CMOS interface, so to fulfil the electrical requirements external adaptation circuitry is needed.
- Non-Linear PCM Audio, as described in IEC 61937-1 (General) and IEC 61937-2 (Burst-info). nRF24Z1 is transparent to the specific audio compression algorithms used, it just transfers what comes in on the input side to the receiver side. Except that only the 32 first bits of channel status information bits are transferred, and no user data bits.


**nRF24Z1 wireless audio streamer**

Only one of the audio interfaces can be active at one time. The active audio interface for ATX is chosen by bit 2 in register TXMOD (0= I2S is default, see Table 7-16), and for ARX by bit 2 in register RXMOD.

### 7.5 Audio interface functionality

The functionality and direction of the pins in the audio interfaces are listed in Table 7-3.

nRF24Z1 Audio interfaces		MODE=0 (ARX)				MODE =1 (ATX)			
		TXMOD[2]=0 (I2S)		TXMOD[2]=1 (S/PDIF)		TXMOD[2]=0 (I2S)		TXMOD[2]=1 (S/PDIF)	
Pin #	Pin name	Function	Direction	Function	Direction	Function	Direction	Function	Direction
9	REQ	REQ	IN	X	IN	REQ	OUT	X	OUT
10	CLK	CLK	OUT	X	IN	CLK	IN	X	IN
11	WS	WS	OUT	X	IN	WS	IN	X	IN
12	DATA	DATA	OUT	X	IN	DATA	IN	X	IN
13	SPDIO	X	IN	SPDIO	OUT	X	IN	SPDIO	IN
		RESET*	OUT			RESET*	OUT		
14	MCLK	MCLK	OUT	X	OUT	MCLK	OUT	X	OUT

Table 7-3 Audio interface pin functions

\* If S/PDIF is not used for audio, the SPDIO pin can be used as RESET (output) to external devices. Please see chapter 10 for further details.

#### 7.5.1 ATX audio interface control

The nRF24Z1 in ATX mode automatically detects the rate of a digital audio stream from an external master both on the I2S and S/PDIF interface. Register 0x01 holds the status of this detection for optional read back to an external MCU.



Address Hex	Register	R/W	Initial Hex	Description	
0x01	TXSTA	R	0x40	Audio transmitter status register	
				Bit	Interpretation
				7	Reserved
				6:5	Detected audio scale factor (I2S only)
				00	0.25
				01	0.5
				10	1
				11	2 <sup>1</sup>
				4:3	Detected audio fundamental rate
				00	48 kHz
				01	44.1 kHz
				10	32 kHz
				11	Illegal or no input detected
2:0	Audio transmitter state (TBD)				

Table 7-4 Audio input status

Default nRF24Z1 transfers uncompressed audio, but it has some options to transfer companded audio data. This can be used to save power, or to accommodate transfer of 24 bit audio, which uncompressed would exceed the radio bandwidth. This is a lossy compression/decompression in the way that superfluous LSB's are lost. Here is an example of how 24 to 16 bit compand works:

If the sample values within an audio frame are within +/- 200000, 3 LSB are cut, and if sample values of the next frame is within +/- 60000, only 1 LSB is lost. So the number of LSB lost varies dynamically with maximum sample value for each frame, and this limits the relative error.

Address Hex	Register	R/W	Initial Hex	Description	
0x11	TXFMT	R/W	0x00	Transmit data format	
				Value	Interpretation
				0	16 bit linear PCM
				1	24 bit linear companded to 16 bit
				2	Reserved
4	16 bit linear companded to 8 bit				

Table 7-5 : register TXFMT.

<sup>1</sup> For 2x rate (96 kHz) every second sample is discarded in ATX, and in ARX the remaining samples are output at 1x rate.



## nRF24Z1 wireless audio streamer

The Audio interfaces in ATX mode are controlled by registers 0x1A (Bit[4], Bit[2:0]) and 0x14 listed in Table 7-5.

Address Hex	Register	R/W	Initial Hex	Description	
0x1A	TXMOD	R/W	0x00	Operation modes for audio transmitter	
				7	RF transmitter enable
				6	Audio transmitter power down
				5	Enable wakeup on changing DD[1]
				4	REQ pin polarity (0 for active low)
				3	Enable direct data from pins DD[2:0]. DD[2] is only available if SSEL=1
				2	S/PDIF enable (default input is I2S)
				1:0	MCLK output control**
	00	MCLK off (logic 0)			
	01	Output 256 x 48 kHz			
	10	Output 256 x 44.1 kHz			
	11	Output 256 x 32 kHz			
0x14	I2SCNF_IN	R/W	0x00	I2S interface configuration (on ATX side), see also Table 7-2	
				7	Data enable
				0	I2S carries sound
				1	I2S carries data
				6	Reserved, MBZ
				3	WS Polarity
				0	WS=0: Left sample (std)
				1	WS=1: Left sample
				2	Data to Bit Clock relation (data valid at clock edge)
				0	Rising Edge (standard)
				1	Illegal
				1	WS to MSB delay
				0	1 clock cycle (standard)
1	0 clock cycles				
0	Audio word justification				
0	Left justified				
1	Right justified				

Table 7-6 ATX audio input control

**\*\*IMPORTANT NOTE!**

For S/PDIF audio input, MCLK output is disabled, but the MCLK control value TXMOD[1:0] should generally be set to the expected sampling rate. This is mandatory if 32 kHz sampling rate is expected, and recommended otherwise. Setting MCLK to the expected sampling rate gives the best phase margin and hence sampling quality when the input S/PDIF signal has much jitter.


**nRF24Z1 wireless audio streamer**

To pace I2S data a REQ output signal is used. Polarity is set in TXMOD[4]. In I2S data mode (I2SCNF\_IN7=1) I2S DATA and CLK input must be stopped within 32 CLK cycles when REQ goes inactive, and must start again when REQ goes active.

For analog audio sources, the nRF24Z1 offers a 256x clock output on pin MCLK (TXMOD[1:0]). This clock can be used as system clock for an external stereo ADC.

If I2S is used for data transfers (I2SCNF\_IN[7] = 1), average data rate is set in register 0x15

Address Hex	Register	R/W	Initial Hex	Description
0x15	I2SRAT	R/W	0x00	I2S interface speed for digital input streams that are not interpreted as audio by nRF24Z1.
				n (dec)   Digital stream
				0   8 kbit/s
				1   16 kbit/s
				2-190   (n+1)*8 kbit/s
				191   1536kbit/s
>191   Illegal				

Table 7-7 ATX I2S data transfer control

### 7.5.2 ARX audio interface control

In ARX mode the audio interfaces are controlled by the registers 0x4A and 0x44 listed in Table 7-8.



Address Hex	Register	R/W	Initial Hex	Description																																								
0x4A	RXMOD	R/W	0x00	Set operation modes for audio receiver <table border="1"> <thead> <tr> <th>Bit</th> <th>Interpretation</th> </tr> </thead> <tbody> <tr> <td>7</td> <td>Receiver power down</td> </tr> <tr> <td>6</td> <td>Reserved, MBZ</td> </tr> <tr> <td>5</td> <td>RF receiver enable</td> </tr> <tr> <td>4</td> <td>REQ pin polarity</td> </tr> <tr> <td>3</td> <td>Reserved, MBZ</td> </tr> <tr> <td>2</td> <td>S/PDIF enable</td> </tr> <tr> <td>1:0</td> <td>Reserved, MBZ</td> </tr> </tbody> </table>	Bit	Interpretation	7	Receiver power down	6	Reserved, MBZ	5	RF receiver enable	4	REQ pin polarity	3	Reserved, MBZ	2	S/PDIF enable	1:0	Reserved, MBZ																								
Bit	Interpretation																																											
7	Receiver power down																																											
6	Reserved, MBZ																																											
5	RF receiver enable																																											
4	REQ pin polarity																																											
3	Reserved, MBZ																																											
2	S/PDIF enable																																											
1:0	Reserved, MBZ																																											
0x44	I2SCNF_OUT	R/W	0x00	I2S interface configuration for audio output (on ARX side), see also Table 7-2 <table border="1"> <thead> <tr> <th>Bit</th> <th>Interpretation</th> </tr> </thead> <tbody> <tr> <td>7</td> <td>Reserved, MBZ</td> </tr> <tr> <td>6</td> <td>Mute sound output</td> </tr> <tr> <td>5:4</td> <td>Sample length</td> </tr> <tr> <td>00</td> <td>16-bit samples</td> </tr> <tr> <td>01</td> <td>reserved</td> </tr> <tr> <td>10</td> <td>24-bit samples</td> </tr> <tr> <td>11</td> <td>reserved</td> </tr> <tr> <td>3</td> <td>WS Polarity</td> </tr> <tr> <td>0</td> <td>WS=0: Left sample (std)</td> </tr> <tr> <td>1</td> <td>WS=1: Left sample</td> </tr> <tr> <td>2</td> <td>Data to Bit Clock relation (data valid at clock edge)</td> </tr> <tr> <td>0</td> <td>Rising edge (standard)</td> </tr> <tr> <td>1</td> <td>Falling edge</td> </tr> <tr> <td>1</td> <td>WS to MSB delay</td> </tr> <tr> <td>0</td> <td>1 clock cycle (standard)</td> </tr> <tr> <td>1</td> <td>0 clock cycles</td> </tr> <tr> <td>0</td> <td>Audio word justification</td> </tr> <tr> <td>0</td> <td>Left justified</td> </tr> <tr> <td>1</td> <td>Right justified</td> </tr> </tbody> </table>	Bit	Interpretation	7	Reserved, MBZ	6	Mute sound output	5:4	Sample length	00	16-bit samples	01	reserved	10	24-bit samples	11	reserved	3	WS Polarity	0	WS=0: Left sample (std)	1	WS=1: Left sample	2	Data to Bit Clock relation (data valid at clock edge)	0	Rising edge (standard)	1	Falling edge	1	WS to MSB delay	0	1 clock cycle (standard)	1	0 clock cycles	0	Audio word justification	0	Left justified	1	Right justified
Bit	Interpretation																																											
7	Reserved, MBZ																																											
6	Mute sound output																																											
5:4	Sample length																																											
00	16-bit samples																																											
01	reserved																																											
10	24-bit samples																																											
11	reserved																																											
3	WS Polarity																																											
0	WS=0: Left sample (std)																																											
1	WS=1: Left sample																																											
2	Data to Bit Clock relation (data valid at clock edge)																																											
0	Rising edge (standard)																																											
1	Falling edge																																											
1	WS to MSB delay																																											
0	1 clock cycle (standard)																																											
1	0 clock cycles																																											
0	Audio word justification																																											
0	Left justified																																											
1	Right justified																																											

Table 7-8 ARX audio interface control registers

In I2S data mode (I2SCNF\_IN7=1) I2S DATA and CLK out will be stopped within 32 CLK cycles when REQ input goes inactive, and will start again when REQ goes active.

**NOTE:**

After reset, the ARX registers can be accessed by the audio transmitter (nRF24Z1 in ATX mode) through the control and data channel set up between two linked nRF24Z1.



### 7.5.3 I2S Audio interface timing

#### I2S input (ATX) timing

The I2S input protocol is configurable to handle several I2S formats. In addition, the interface will automatically detect sample size and word length for the most common formats. This section shows the detailed bit, clock and word timing requirements.

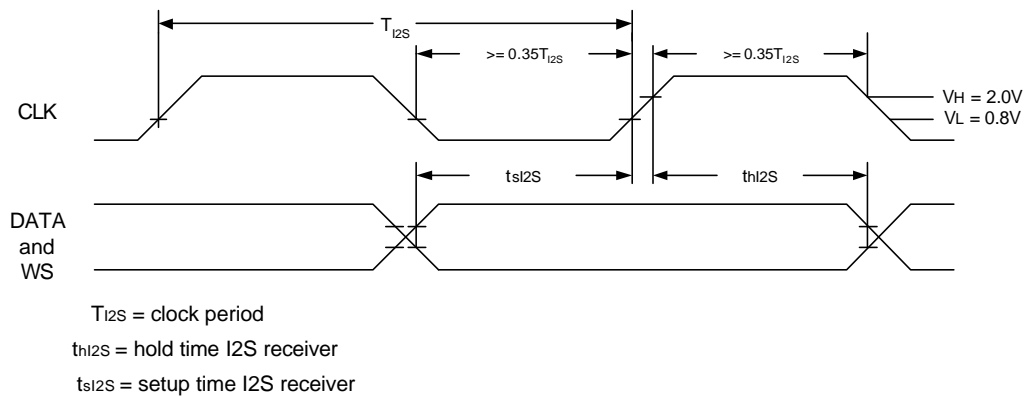


Figure 7-2. Timing for I2S input on nRF24Z1, for values see Table 13-1

#### I2S output (ARX) timing

I2S output is protocol compatible with most I2S DACs and CODECs.

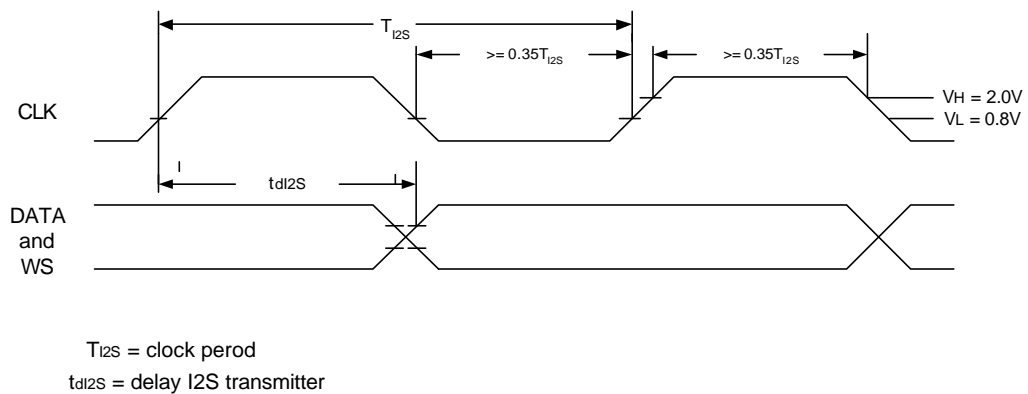


Figure 7-3. Timing for I2S output of nRF24Z1, for values see Table 13-1





## 7.6 Serial master interfaces

The nRF24Z1 serial master interfaces group contains a SPI and a 2-wire master interface available at all times.

After RESET the nRF24Z1 will look for a serial memory on the SPI master interface. If no memory is present, the process is repeated on the 2-wire interface. If no memories is found an nRF24Z1 assumes an external microcontroller will configure it over one of the slave control interfaces and will hence be idle until that happens. Link initialization will start as soon as the necessary control register bits are set.

During the configuration the SPI master is operated at 1MHz or 0.5MHz. SPI format is CPOL=0, CHPA=0 as used by industry standard EEPROM/FLASH memories.

The nRF24Z1 is protocol compatible with SPI memory with sizes ranging from 1 Kbyte to 64 Kbytes with 16-bit sub-address used.

The slave(s) that are connected determines the protocol on the 2-wire master interface. For the case of configuration, nRF24Z1 is protocol compatible with “industry standard” 2-wire memory with sizes ranging from 128 bytes to 4 Kbytes (with 3 address pins and one byte sub-address used). During configuration this interface is operated at 100 kHz for compatibility with most serial 2-wire memories.

The pin out and functionality of the serial master I/O pins are shown in Table 7-9.

nRF24Z1 I/O: serial masters		ARX mode				ATX mode			
		MODE=0 RXDCMD[7] = 0		MODE=0 RXDCMD[7] = 1		MODE=1 and EEPROM connected to SPI		MODE =1 and EEPROM connected to 2 wire	
pin	name	Function	Direction	Function	Direction	Function	Direction	Function	Direction
27	MSDA	MSDA	IN/OUT	X RESET*	IN OUT	X RESET*	IN OUT	MSDA	IN/OUT
28	MSCL	MSCL	OUT	X	IN	X	IN	MSCL	OUT
29	MSCN	X	IN	MSCN	OUT	MSCN	OUT	X	IN
30	MMISO	X	IN	MMISO	IN	MMISO	IN	X	IN
		X	IN					X	IN
31	MMOSI	RESET*	OUT	MMOSI	OUT	MMOSI	OUT	RESET*	OUT
35	MSCK	X	IN	MSCK	OUT	MSCK	OUT	X	IN

Table 7-9 Serial masters functionality

\* A pin in the serial interface that is NOT used for external memory and/or controlling external circuitry can be configured to act as reset for external devices such as an ADC or DAC. Please refer to chapter 10 for further details.

After configuration, the master interfaces in ATX go idle with pins still active, while the interfaces in ARX become an extended arm of a linked ATX through the control channel between two nRF24Z1.

The set-up of the serial master interfaces of the ARX after configuration is loaded is controlled by register RXDCMD (0x70) as shown in Table 7-10.



Address Hex	Register	R/W	Initial Hex	Description																																																						
0x70	RXDCMD	R/W	0x82	<p>Data “command”. Specifies interface and speed</p> <table border="1"> <thead> <tr> <th>Bit</th> <th>Interpretation</th> </tr> </thead> <tbody> <tr> <td>7</td> <td>Interface select</td> </tr> <tr> <td>0</td> <td>Use ARX 2-wire interface</td> </tr> <tr> <td>1</td> <td>Use ARX SPI interface</td> </tr> <tr> <td>6:4</td> <td>SPI slave select control. Set which signal to be used as slave select, and associated polarity. Or 2-wire access type.</td> </tr> <tr> <td><b>Value</b></td> <td><b>SPI interpretation</b></td> </tr> <tr> <td>000</td> <td>CSN, active low<sup>2</sup></td> </tr> <tr> <td>001</td> <td>DO[0], active low<sup>1</sup></td> </tr> <tr> <td>010</td> <td>DO[1], active low<sup>1</sup></td> </tr> <tr> <td>011</td> <td>DO[2], active low<sup>1</sup></td> </tr> <tr> <td>100</td> <td>CSN, active low<sup>2</sup></td> </tr> <tr> <td>101</td> <td>DO[0], active high<sup>1</sup></td> </tr> <tr> <td>110</td> <td>DO[1], active high<sup>1</sup></td> </tr> <tr> <td>111</td> <td>DO[2], active high<sup>1</sup></td> </tr> <tr> <td><b>Value</b></td> <td><b>2-wire interpretation</b></td> </tr> <tr> <td>000</td> <td>start stop access</td> </tr> <tr> <td>001</td> <td>start only access (a start only access followed by a start-stop access will be a start-start-stop access)</td> </tr> </tbody> </table> <p>Notes:</p> <ol style="list-style-type: none"> <li>In order to use any of DO[2:0] as SPI slave selects, the corresponding bit in RXPIO should be set to the SPI slave select inactive state. I.e. if DO[0] is to be used as active low slave select, RXPIO[0] must be set to 1.</li> <li>MCSN is always active low</li> </ol> <table border="1"> <thead> <tr> <th>3:1</th> <th>Speed select</th> </tr> <tr> <th>Value (bin)</th> <th>SPI Interpretation   2-wire Interpretation</th> </tr> </thead> <tbody> <tr> <td>000</td> <td>8 Mbit/s   Illegal</td> </tr> <tr> <td>001</td> <td>8 Mbit/s   100 kbit/s</td> </tr> <tr> <td>010</td> <td>4 Mbit/s   400 kbit/s</td> </tr> <tr> <td>011</td> <td>2 Mbit/s   1 Mbit/s</td> </tr> <tr> <td>100</td> <td>1 Mbit/s   Illegal</td> </tr> <tr> <td>101</td> <td>500 kbit/s   Illegal</td> </tr> <tr> <td>110</td> <td>250 kbit/s   Illegal</td> </tr> <tr> <td>111</td> <td>Reserved   Reserved</td> </tr> </tbody> </table> <p>0 Reserved, MBZ.</p>	Bit	Interpretation	7	Interface select	0	Use ARX 2-wire interface	1	Use ARX SPI interface	6:4	SPI slave select control. Set which signal to be used as slave select, and associated polarity. Or 2-wire access type.	<b>Value</b>	<b>SPI interpretation</b>	000	CSN, active low <sup>2</sup>	001	DO[0], active low <sup>1</sup>	010	DO[1], active low <sup>1</sup>	011	DO[2], active low <sup>1</sup>	100	CSN, active low <sup>2</sup>	101	DO[0], active high <sup>1</sup>	110	DO[1], active high <sup>1</sup>	111	DO[2], active high <sup>1</sup>	<b>Value</b>	<b>2-wire interpretation</b>	000	start stop access	001	start only access (a start only access followed by a start-stop access will be a start-start-stop access)	3:1	Speed select	Value (bin)	SPI Interpretation   2-wire Interpretation	000	8 Mbit/s   Illegal	001	8 Mbit/s   100 kbit/s	010	4 Mbit/s   400 kbit/s	011	2 Mbit/s   1 Mbit/s	100	1 Mbit/s   Illegal	101	500 kbit/s   Illegal	110	250 kbit/s   Illegal	111	Reserved   Reserved
Bit	Interpretation																																																									
7	Interface select																																																									
0	Use ARX 2-wire interface																																																									
1	Use ARX SPI interface																																																									
6:4	SPI slave select control. Set which signal to be used as slave select, and associated polarity. Or 2-wire access type.																																																									
<b>Value</b>	<b>SPI interpretation</b>																																																									
000	CSN, active low <sup>2</sup>																																																									
001	DO[0], active low <sup>1</sup>																																																									
010	DO[1], active low <sup>1</sup>																																																									
011	DO[2], active low <sup>1</sup>																																																									
100	CSN, active low <sup>2</sup>																																																									
101	DO[0], active high <sup>1</sup>																																																									
110	DO[1], active high <sup>1</sup>																																																									
111	DO[2], active high <sup>1</sup>																																																									
<b>Value</b>	<b>2-wire interpretation</b>																																																									
000	start stop access																																																									
001	start only access (a start only access followed by a start-stop access will be a start-start-stop access)																																																									
3:1	Speed select																																																									
Value (bin)	SPI Interpretation   2-wire Interpretation																																																									
000	8 Mbit/s   Illegal																																																									
001	8 Mbit/s   100 kbit/s																																																									
010	4 Mbit/s   400 kbit/s																																																									
011	2 Mbit/s   1 Mbit/s																																																									
100	1 Mbit/s   Illegal																																																									
101	500 kbit/s   Illegal																																																									
110	250 kbit/s   Illegal																																																									
111	Reserved   Reserved																																																									

Table 7-10 RXDCMD register



Number of bytes data to read/write is set in 'write and read count' registers RXWCNT (0x71) and RXRCNT (0x72) and the actual data are transferred through the data buffers RXWBUF and RXRBUF. Once the above registers are set, writing to RXEXEC will initiate a SPI or 2-wire operation on the ARX serial master interfaces. Operation finished is also reported in RXEXEC and can be coupled to an interrupt in the ATX. See also Figure 5-2 nRF24Z1 control and data link

Remember that all interaction with these registers is done through the slave interfaces on the ATX. The data in RXWBUF are transferred to the ARX via RF and the interactions are carried out on the ARX side as configured in RXDCMD. Once it is completed and data read by the ARX is transferred back to the ATX, the 'operation finished' interrupt (flag INTSTA.4) is set and data read on the ARX side are available in RXRBUF.

Address Hex	Register	R/W	Initial Hex	Description
0x71	RXWCNT	R/W	0x00	Number of bytes to write (max 16)
0x72	RXRCNT	R/W	0x00	Number of bytes to read (max 16)
0x50-0x5f	RXWBUF	W	0x00	Data to be written to the interface specified by RXDCMD
0x60-0x6f	RXRBUF	R	0x00	Data read from audio receiver on the interface specified by RXDCMD
0x74	RXEXEC	W/R	0x00	Write to this register will execute a command on the audio receiver. The interface and speed are specified by RXDCMD. The audio receiver will first write RXWCNT bytes from RXWBUF to the selected interface, then read RXRCNT bytes and transmit back to be stored in RXRBUF. An interrupt may be delivered upon successful completion of the command. 0= idle; 1=write or read MCU must set RXEXEC=1 to perform command, and can thereafter read RXEXEC to find if command is finished (idle)

Table 7-11 ARX master data registers



7.6.1 Timing serial master interfaces

SPI master timing

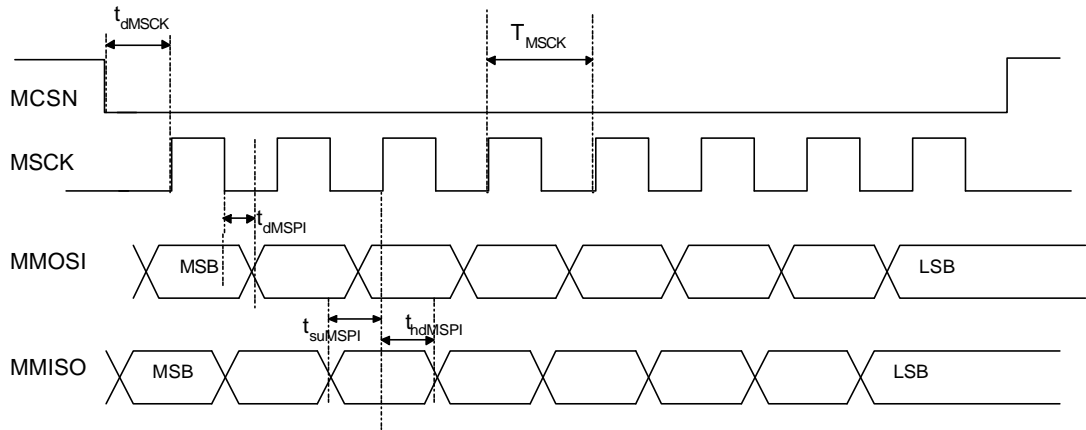


Figure 7-4 : SPI master interface timing, here is shown a one byte transaction.

- $T_{MSCK}$  : MSCK cycle time, as defined by RXDCMD register.
- $t_{dMSCK}$  : time from MCSN active to first SCK pulse,  $t_{dSCK} = T_{MSCK} / 2$
- $t_{dMSPI}$  : delay from negedge MSCK to new MMOSI output data
- $t_{suMSPI}$  : MMISO setup time to posedge MSCK.
- $t_{hdMSPI}$  : MMISO hold time to posedge MSCK.

for values see Table 13-1

2-wire master timing

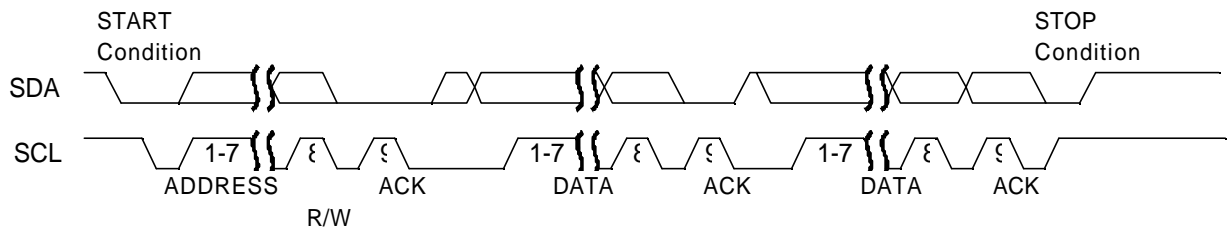


Figure 7-5 : 2-wire data transfer

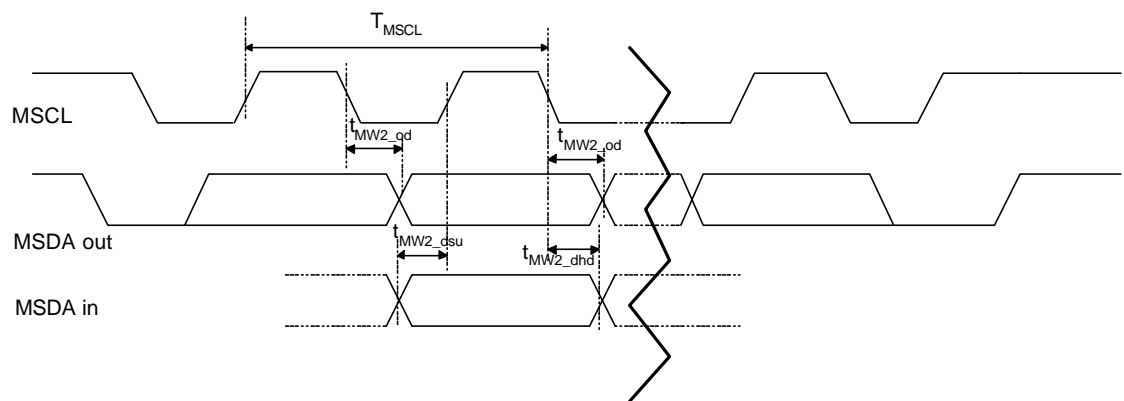


Figure 7-6 : 2-wire master timing, for values see Table 13-1

## 7.7 Control and GPIO interfaces

The following control and GPIO interfaces are found:

- ATX: SPI or 2-wire slave interfaces and general purpose inputs(DD [2:0])
- ARX: SPI or 2-wire slave interfaces as for ATX, or GPIO pins DI[3:0], DO[3:0] with alternative functionality: PWM or master SPI chip select signals

The ATX serial slave interfaces are the main channel for external applications or devices to control the nRF24Z1 and the RF communication. All register access and all but the most basic control and data transfers' takes place through one of these interfaces.

If an external controlling device (microcontroller) is not present in the audio transmitter (ATX), nRF24Z1 configuration can only be done once directly after RESET (section 7.6). All audio and RF link set-up is fixed and the data/control channel offered can only carry simple button push/interrupt signals.

### 7.7.1 ATX control and GPIO pins

In ATX mode the pins are mainly carrying the serial slave control interfaces that enables access and control of all the nRF24Z1 registers both in the device physically connected and a linked ARX (through the nRF24Z1 data/control RF channel).

One of two interfaces can be chosen based on the level of input pin SSEL.

**SSEL = 0;** SPI (pins SCSN, SSCK, SMISO, SMOSI).

**SSEL = 1;** 2-wire (pins SADR, SSCL and SSDA)

The functionality and signal direction of the pins in ATX mode are listed in the table below.



nRF24Z1 GPIO and serial slave interface pins		ATX mode			
		Device control: SPI MODE, SSEL = 10		Device control: 2-wire MODE, SSEL =11	
pin	name	Function	Direction	Function	Direction
1	SSEL	SSEL	IN	SSEL	IN
2	SMISO/SSDA	SMISO	OUT	SSDA	IN/OUT
3	SSCK/SSCL	SSCK	IN	SSCL	IN/OUT
4	SCSN/SADR	SCSN	IN	SADR	IN
6	SMOSI/DD[2]	SMOSI	IN	DD[2]	IN
7	DD[1]	DD[1]	IN	DD[1]	IN
8	DD[0]	DD[0]	IN	DD[0]	IN
26	MODE	MODE	IN	MODE	IN
36	IRQ	IRQ	OUT	IRQ	OUT

Table 7-12 ATX Control and GPIO pins functionality

**7.7.2 SPI slave interface**

The first byte of the SPI transaction is a special command which specifies the register address and whether it is a read or a write access. The seven least significant bits in the first byte is the nRF24Z1 register address, while the most significant bit is the read/write indicator (read=1,write=0), see Table 7-13

B7	B6	B5	B4	B3	B2	B1	B0
R/W	Register address						

Table 7-13 SPI command byte encoding

Write transaction : The next byte on SMOSI will be put into register with address as set in the first byte. Writing more bytes will autoincrement the register address.

Read transaction : The next byte on SMISO will be value of register with address as set in first byte. Reading more bytes will autoincrement the register address.

Consecutive accesses with SCSN low will auto-increment the address. This means that all registers may theoretically be accessed with one SPI transfer.

**7.7.3 2-wire slave interface**

This interface is similar to what is found on serial memories and data converter devices. The 7-bit device address of nRF24Z1 is ‘a101001’, where ‘a’ is the logic level of the SADR input pin (read during power up and reset only).

Each 2-wire transaction is started with the “Start condition” followed by the first byte which contains the 7 bit long device address and one read/write bit, this byte is hereafter referred to as the “address/read command byte” or the “address/write command byte” depending on the state of the read/write bit, read=1, write=0. The second byte contains the



register address which specifies which nRF24Z1 register is to be accessed. This address will be written into the ATX chip, it is therefore necessary that the first byte after the first start condition is an address/write command. Further actions on the 2-wire interface depend on whether the access is a read or write access. W2 command byte is illustrated in Table 7-14.

B7	B6	B5	B4	B3	B2	B1	B0
a	1	0	1	0	0	1	R/W

Table 7-14 : 2-wire command byte encoding

7.7.3.1 2-Wire write access.

Figure 7-7 illustrates a simple write operation, where one byte is written to the ATX chip.

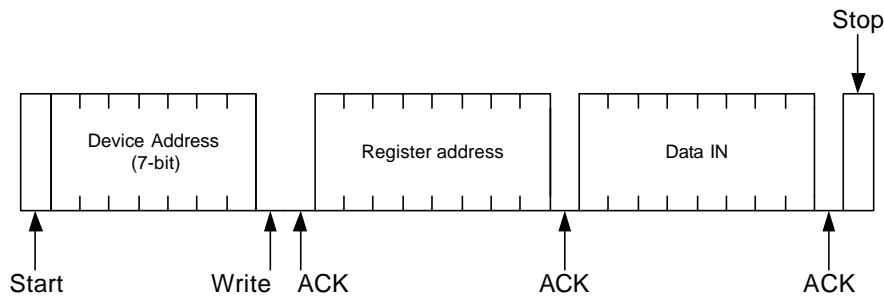


Figure 7-7 : example of a 2-wire write operation

A write access is composed by a start condition, an address/write command byte, a register address byte and a data byte which will be written to the register specified in the previous register address byte. Each byte will be acknowledged by the 2-wire slave by pulling the data line (SDA) low. To stop the write access a stop condition should be applied on the 2-wire interface. See Figure 7-9 for an example. Consecutive write access is performed by postponing the stop condition.

7.7.3.2 2-Wire read access

Figure 7-8 illustrates a simple read operation, where one byte is read back from the ATX chip.

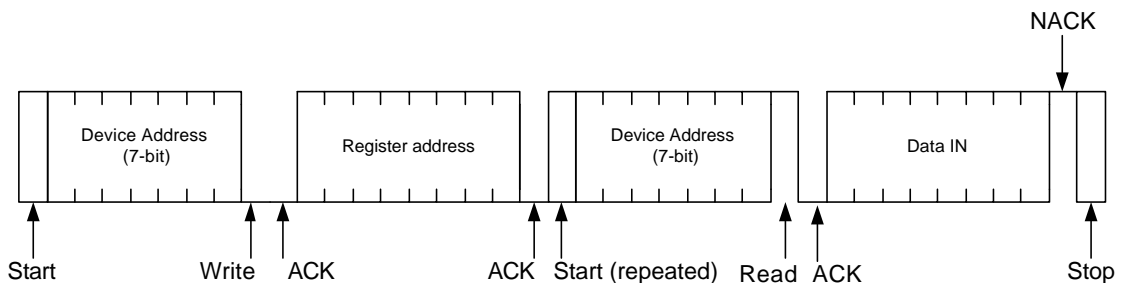


Figure 7-8 : example of a 2-wire read operation

A read access is composed by a start condition, an address/write command byte, and a register address byte. These two bytes are acknowledged by the 2-wire slave. This scenario is followed by a repeated start condition and an address/read control byte. This byte is also



**nRF24Z1 wireless audio streamer**

acknowledged by the 2-wire slave. After the acknowledge bit has been sent from the 2-wire slave, the register value which corresponds to the register address byte will be supplied by the 2-wire slave as well. This byte should be acknowledged by the 2-wire master if consecutive register read is wanted. The read access is stopped by not acknowledging the last byte read, followed by a stop condition. See Figure 7-9 for an example.

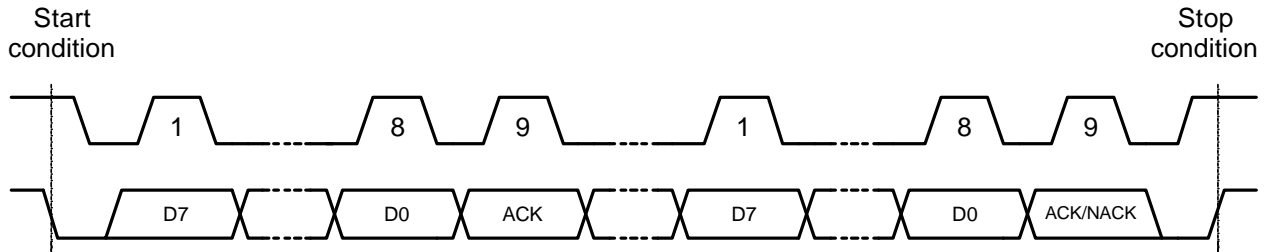


Figure 7-9 : example of 2-wire waveform

**7.7.4 General purpose input pins D[2:0]**

Three (2 if SPI slave is used, SSEL=0) general purpose inputs are also available. The status on these pins can be read in register 0x20

Address Hex	Register	R/W	Initial Hex	Description	
0x20	TXDD	R	0x00	Value of ATX DD input pins	
				Bit	Interpretation
				7:3	Reserved, do not use
				2	Value of DD2 (only if SSEL=1)
				1	Value of DD1
0	Value of DD0				

Table 7-15 ATX DD[2:0] status

If bit TXMOD[3] is set the levels of pins DD[2:0] are mirrored on pins DO[2:0] on a linked ARX device directly. See Table 7-16

Address Hex	Register	R/W	Initial Hex	Description	
0x1A	TXMOD	R/W	0x00	Operation modes for audio transmitter	
				7	RF transmitter enable
				6	Audio transmitter power down
				5	Enable wakeup on changing DD[1]
				4	REQ pin polarity
				3	Enable direct data from pins DD[2:0]. DD[2] is only available if SSEL=1
				2	S/PDIF enable
				1:0	MCLK output control

Table 7-16 TXMOD register





The IRQ pin can act as an interrupt signal to the outside application. There are a number of interrupt sources available; this is described further in chapter 9.

## 7.7.5 ATX Control interface timing

### 7.7.5.1 SPI slave timing

The SPI slave can operate with up to 8 MHz clock speed over the full operation range of the device. With a 3V +/-10% supply the maximum clock speed is 16MHz. However note that there is a minimum pause interval  $t_{SRD}$  between writing or reading a each byte.

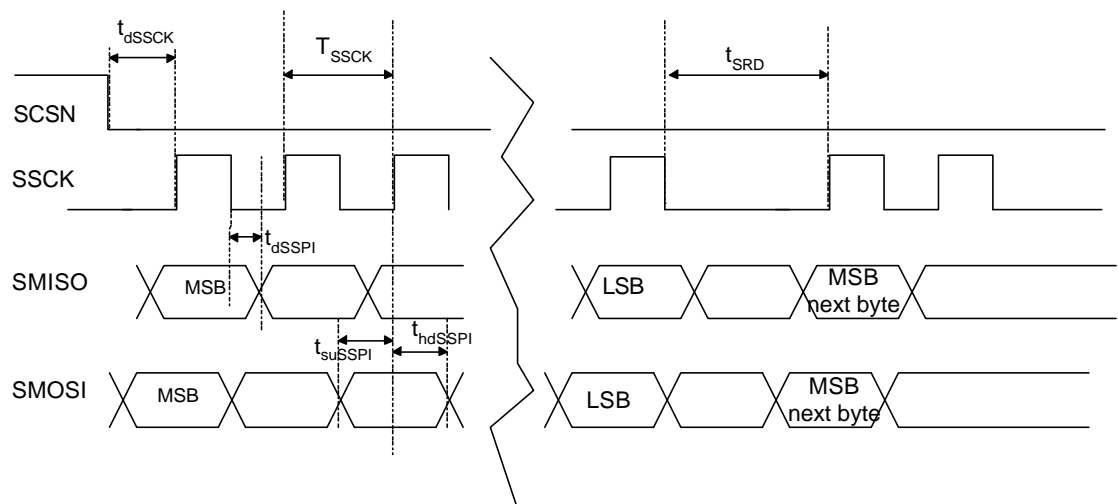


Figure 7-10 : SPI slave timing diagram

$T_{SSCK}$  : SSCK cycle time.

$t_{dSSCK}$  : time from SCSN active to first SSCK pulse

$t_{dSSPI}$  : delay from negedge SSCK to new SMISO output data

$t_{suSSPI}$  : SMOSI setup time to posedge SSCK

$t_{hdSSPI}$  : SMOSI hold time to posedge SSCK

$t_{SRD}$  : minimum pause between each byte read from or written to slave SPI

for values see Table 13-1

### 7.7.5.2 2-wire slave timing

The interface supports 100 kHz, 400 kHz and 1MHz over the operating range of the device.

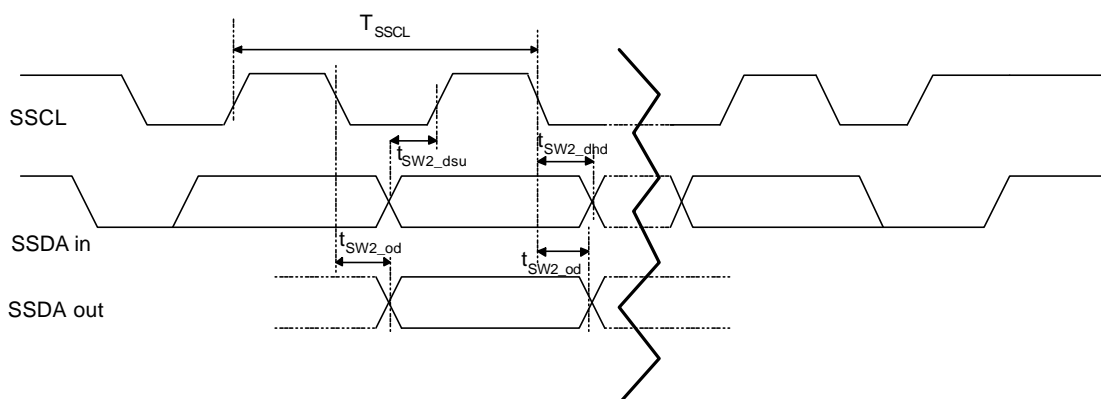


Figure 7-11 : 2-wire slave timing diagram, for values see Table 13-1

### 7.7.6 ARX control interface options

ARX is default configured with a control slave interface, identical to ATX slave interface, SPI or 2-wire as selected by pin SSEL, in the same way as for ATX. The slave interface gives local access to all registers in ARX, but not to any registers on the ATX side. Alternatively if bit 6 of RXSTA register is set in the configuration EEPROM, ARX will be configured with GPIO pins instead of slave control interface pins. The pin out and functionality of the slave interface or GPIO pins are shown in Table 7-18

Address Hex	Register	R/W	Initial Hex	Description						
0x06	RXSTA	R	0x00	ARX status register. <table border="1" style="margin-left: 20px;"> <thead> <tr> <th>Bit</th> <th>Interpretation</th> </tr> </thead> <tbody> <tr> <td>7</td> <td>RXEXEC status, 1 is OK, 0 is error</td> </tr> <tr> <td>6</td> <td>0 : ARX has control slave interface 1 : ARX has GPIO interface, which implies no control slave interface</td> </tr> </tbody> </table>	Bit	Interpretation	7	RXEXEC status, 1 is OK, 0 is error	6	0 : ARX has control slave interface 1 : ARX has GPIO interface, which implies no control slave interface
Bit	Interpretation									
7	RXEXEC status, 1 is OK, 0 is error									
6	0 : ARX has control slave interface 1 : ARX has GPIO interface, which implies no control slave interface									

Table 7-17: ARX status register



	ARX with SPI slave interface RXSTA6 = 0, SSEL=0		ARX with 2-wire slave interface RXSTA6 = 0, SSEL=1		ARX with GPIO interface RXSTA6 =1	
Pin	Function	Direction	Function	Direction	Function	Direction
1	SSEL	IN	SSEL	IN	DO2	OUT
2	SMISO	OUT	SSDA	IN/OUT	DO1	OUT
3	SSCK	IN	SSCL	IN/OUT	DO0	OUT
4	SCSN	IN	SADR	IN	DI3	IN
6	SMOSI	IN	DI2	IN	DI2	IN
36	IRQ <sup>1</sup>	OUT	IRQ	OUT	DO3/PWM <sup>2</sup>	OUT

Table 7-18: ARX slave interface or GPIO pins.

Note that the GPIO functions described for registers RXPIO, RXPWME, RXPWMD, RXPIN bits 3:2, RXWAKE bits 3:2, are only available if ARX is configured with GPIO interface (RXSTA6=1). However these registers may always be read or written to, but if ARX is configured with slave interface, the registers will be disconnected from their corresponding GPIO pins.

Note also that if ARX is configured with slave interface, many ARX registers can be accessed both over the air from ATX, and locally via slave interface, and it is the sole responsibility of the external MCU's to avoid setting conflicting values to a register.

### 7.7.7 ARX GPIO pins

ARX mode has general purpose inputs DI[3:0] and outputs DO[3:0].

### OUTPUTS

General purpose pins DO[3:0] can be controlled in several ways:

Pins	Functionality	Controlling register	Description
DO[3:0]	General purpose output	RXPIO (0x41)	See below
DO[2:0]	Mirror of DD[2:0]	TXMOD (0x1A)	Section 7.7.1
DO[2:0]	ARX SPI master bus enable	RXDCMD (0x70)	Table 7-10, Section 7.6
DO[3]	PWM output	RXPWME (0x42) RXPWMD (0x43)	See below

Table 7-19 DO[3:0] alternate functions

<sup>1</sup> In ARX slave mode, there is only one interrupt event, which is "wake up from powerdown" flag, bit 2 of INTSTA register. ATX and ARX has each its own local instance of the INTSTA register.

<sup>2</sup> General purpose output (DO[3]) or PWM functionality set in register RXPWME (0x42)



Used as general purpose outputs DO[3:0] are controlled by register RXPIO (0x41). On all general purpose outputs of the ARX, high current drive capabilities can be enabled to drive LED's for instance. The register content of 0x41 is given in Table 7-20.

Address Hex	Register	R/W	Initial Hex	Description																		
0x41	RXPIO	R/W	0x00	Receiver GPIO output and drive strength																		
				<table border="1"> <thead> <tr> <th>Bit</th> <th>Logic 1 Interpretation</th> </tr> </thead> <tbody> <tr> <td>7</td> <td>High drive high enable for DO[3]</td> </tr> <tr> <td>6</td> <td>High drive low enable for DO[2]</td> </tr> <tr> <td>5</td> <td>High drive high enable for DO[1]</td> </tr> <tr> <td>4</td> <td>High drive low enable for DO[0]</td> </tr> <tr> <td>3</td> <td>Data for DO[3]</td> </tr> <tr> <td>2</td> <td>Data for DO[2]</td> </tr> <tr> <td>1</td> <td>Data for DO[1]</td> </tr> <tr> <td>0</td> <td>Data for DO[0]</td> </tr> </tbody> </table>	Bit	Logic 1 Interpretation	7	High drive high enable for DO[3]	6	High drive low enable for DO[2]	5	High drive high enable for DO[1]	4	High drive low enable for DO[0]	3	Data for DO[3]	2	Data for DO[2]	1	Data for DO[1]	0	Data for DO[0]
Bit	Logic 1 Interpretation																					
7	High drive high enable for DO[3]																					
6	High drive low enable for DO[2]																					
5	High drive high enable for DO[1]																					
4	High drive low enable for DO[0]																					
3	Data for DO[3]																					
2	Data for DO[2]																					
1	Data for DO[1]																					
0	Data for DO[0]																					

Table 7-20 Register 0x41 RXPIO

Pin DO[3] can also be used as a PWM output. PWM enable and PWM frequency is controlled by register RXPWME (0x42) while PWM duty cycle is controlled by register RXPWMD (0x43) as shown in Table 7-21.

Address Hex	Register	R/W	Initial Hex	Description						
0x42	RXPWME	R/W	0x00	Enables audio receiver PWM onto DO[3] and set PWM frequency						
				<table border="1"> <thead> <tr> <th>Bit</th> <th>Interpretation</th> </tr> </thead> <tbody> <tr> <td>7:6</td> <td>00 : PWM not enabled 11 : Enable PWM on DO[3] 01,10 : reserved, do not use</td> </tr> <tr> <td>5:0</td> <td>PWM frequency (repetition rate) <math>f_{PWM} = 16MHz / (255 * (1 + RXPWME[5:0]))</math></td> </tr> </tbody> </table>	Bit	Interpretation	7:6	00 : PWM not enabled 11 : Enable PWM on DO[3] 01,10 : reserved, do not use	5:0	PWM frequency (repetition rate) $f_{PWM} = 16MHz / (255 * (1 + RXPWME[5:0]))$
Bit	Interpretation									
7:6	00 : PWM not enabled 11 : Enable PWM on DO[3] 01,10 : reserved, do not use									
5:0	PWM frequency (repetition rate) $f_{PWM} = 16MHz / (255 * (1 + RXPWME[5:0]))$									
0x43	RXPWMD	R/W	0x00	Set audio receiver PWM duty cycle						

Table 7-21 Registers RXPWME (0x42) and RXPWMD (0x43)



## INPUTS

DI[3:0] are in ARX general purpose inputs. The status on these pins is monitored in register RXPIN (0x07).

Address Hex	Register	R/W	Initial Hex	Description												
0x07	RXPIN	R	0x00	Current state of audio receiver GPIO inputs												
				<table border="1"> <thead> <tr> <th>Bit</th> <th>Interpretation</th> </tr> </thead> <tbody> <tr> <td>7:4</td> <td>Reserved, do not use.</td> </tr> <tr> <td>3</td> <td>DI3 value</td> </tr> <tr> <td>2</td> <td>DI2 value</td> </tr> <tr> <td>1</td> <td>DI1 value</td> </tr> <tr> <td>0</td> <td>DI0 value</td> </tr> </tbody> </table>	Bit	Interpretation	7:4	Reserved, do not use.	3	DI3 value	2	DI2 value	1	DI1 value	0	DI0 value
Bit	Interpretation															
7:4	Reserved, do not use.															
3	DI3 value															
2	DI2 value															
1	DI1 value															
0	DI0 value															

Table 7-22 Register RXPIN (0x07)

## 7.8 Data Channel Timing

### 7.8.1 Forward data channel, data transfer from ATX to ARX

Data communication from ATX to ARX is performed through a dedicated data channel which is superimposed on the audio stream. Maximum data rate on this channel can be calculated with formula 1 and formula 2.

$$\begin{aligned} \text{BRR} &= \text{AFR}/(8*16) && \text{frame/sec} && (1) \\ \text{DR} &= \text{BRR}*\text{NPB}*8\text{bits} && \text{bits/sec} && (2) \end{aligned}$$

BRR: Frame Repetition Rate, time interval between start of data frames.

AFR: Audio Fundamental Rate (sampling frequency).

DR: Average Data Rate on data channel.

NPB: Number of Packets per Frame.

NBP: Number of data Bytes per Packet.

nRF24Z1 has the following parameters for the ATX to ARX data channel:

AFR: 48 kHz, 44.1 kHz or 32 kHz

NPB: 4

NBP: 1

Table 7-23 lists resulting data rates.

Fundamental rate of audio signal	Maximum data rate on data channel
48kHz	12000 bits/sec
44.1kHz	11025 bits/sec
32 kHz	8000 bits/sec

Table 7-23 : forward data channel rate


**nRF24Z1 wireless audio streamer**
**7.8.1.1 Limitations in forward data channel, effective data rate.**

The data rate shown in Table 7-23 is shared by the different inputs. Data from all interfaces are fed into a FIFO queue, so that high activity on one source will increase the link delay for the other sources.

Effective data rate on forward data channel depends mainly on the link quality, a poor link can reduce data rate.

**7.8.2 Return data channel, data transfer from ARX to ATX**

Data communication from ARX to ATX is performed through a dedicated data channel which is built into the acknowledge data stream. Maximum data rate on this data channel can be calculated with Formula 1 and Formula 2 with NPB = 1 and NBP = 5, see Table 7-24.

<b>Fundamental rate of audio signal</b>	<b>Maximum data rate on return data channel</b>
48kHz	15000 bits/sec
44.1kHz	13781 bits/sec
32 kHz	10000 bits/sec

Table 7-24 : return data channel rate

**7.8.2.1 Limitations in return data channel**

Data transfer from ARX to ATX can be divided into three groups:

1. Link quality monitoring.
2. Parallel port monitoring.
3. ARX master interface communication.

These three groups shares the same bandwidth of the return channel. As can be seen in the following sections, each function is assigned a fraction of return channel data rate shown in Table 7-24.

**7.8.2.2 Link quality monitoring**

Refresh rate of link quality register, LNKQ depends on the data rate shown in Table 7-25. This feature requires 20% of the total band-width of the return data channel.

<b>Fundamental rate of audio signal</b>	<b>LNKQ data rate on return data channel</b>
48kHz	3000 bits/sec
44.1kHz	2756 bits/sec
32 kHz	2000 bits/sec

Table 7-25 :LNKQ data rate



### 7.8.2.3 Parallel port monitoring

The parallel port is updated according to the data rate shown in Table 7-26. This requires 10% of the total band-width of the return data channel.

<b>Fundamental rate of audio signal</b>	<b>Parallel port data rate on return data channel</b>
48kHz	1500 bits/sec
44.1kHz	1378 bits/sec
32 kHz	1000 bits/sec

Table 7-26 : Parallel port data rate

### 7.8.2.4 Master interface communication

Effective data rate of master interface communication when transferring data from ARX to ATX can be seen in Table 7-27. This requires 50% of the total band-width of the return data channel, 20% for data and 30% for synchronization and address overhead.

<b>Fundamental rate of audio signal</b>	<b>Master interface data rate on return data channel</b>
48kHz	3000 bits/sec
44.1kHz	2756 bits/sec
32 kHz	2000 bits/sec

Table 7-27 : serial master interface data rate

20% of the total band-width of the return data channel is spare for future use.



## 8 QUALITY OF SERVICE (QOS) AND RF

### 8.1 Link algorithm

The link algorithm of the nRF24Z1 is fully managed on-chip. Time spent searching for counterparts can be controlled by the power down counters presented in chapter 11.

### 8.2 RF protocol

The RF protocol of nRF24Z1 is fully controlled on-chip, the only parameter configurable by the end system is the address length and address to be used in the RF protocol. This enables numerous nRF24Z1 to be identified and accessed independently in the same physical area. The RF protocol address length and address are set in registers ALEN and ADDR, listed in Table 8-1.

Address Hex	Register	R/W	Initial Hex	Description
0x38	ALEN	R/W	0x05	Address length in bytes, legal range is 4 or 5
0x39	ADDR[0]	R/W	0x01	Address byte #0 (LSB)
0x3A	ADDR[1]	R/W	0x02	Address byte #1
0x3B	ADDR[2]	R/W	0x03	Address byte #2
0x3C	ADDR[3]	R/W	0x04	Address byte #3
0x3D	ADDR[4]	R/W	0x05	Address byte #4 (don't care if ALEN =4)

Table 8-1 RF protocol address

### 8.3 Adaptive frequency hopping

nRF24Z1 features adaptive frequency hopping. This enables the nRF24Z1 link to handle RF reflections, multi-path fading and avoid heavily trafficked areas of the 2.4 GHz band. This enables stable operation both in challenging environments physically and in co-existence with other 2.4 GHz systems.

The fundamental channel hopping algorithm is based on three parameters. These are lowest channel to be used, highest channel to be used and channel step between transactions on the air. These parameters are set in registers CHP1, CHP2 and CHP3.





Address Hex	Register	R/W	Initial Hex	Description
0x35	CHP1	R/W	0x01	CHP1 is minimum channel number to be used by the channel hopping routine. For optimal performance set to: 0x01
0x36	CHP2	R/W	0x13	CHP2 is maximum channel number to be used by the channel hopping routine. For optimal performance set to: 0x13
0x37	CHP3	R/W	0x05	The number of channels the frequency hopping routine is to move before next transaction on the air. Recommended values: 0x04, 0x05, 0x06, 0x07, 0x08, 0x09

Table 8-2 Frequency hopping set-up

The frequency hopping algorithm uses the registers above as follows:

$$\begin{aligned}
 &PCh = PCh + CHP3 \\
 &\text{if } (PCh > CHP2) \\
 &\quad PCh = PCh - (CHP2 - CHP1 + 1)
 \end{aligned}$$

Where:

PCh : Present Channel

As can be seen from the equation above the frequency hopping routine is a wrap around routine. If CHP3 is not set well the wrap around may lead to only a fraction of the available channels to actually be used. By using one of the recommended CHP3 values in Table 8-2, one gets maximum utilisation of the 2.4 GHz band and best co-existence between multiple nRF24Z1 systems.

The available channels and the corresponding centre frequencies are listed in Table 8-3 .

Channel number	Frequency (MHz)	Channel number	Frequency (MHz)
1	2404	11	2444
2	2408	12	2448
3	2412	13	2452
4	2416	14	2456
5	2420	15	2560
6	2424	16	2464
7	2428	17	2468
8	2432	18	2472
9	2436	19	2476
10	2440		

Table 8-3 : RF channel centre frequencies



### 8.3.1 Adapting to the RF environment

In a clean RF environment, which means few or no other RF transmitters nearby, the nRF24Z1 set up like recommended in Table 8-2 will use all the channels in Table 8-3. If another RF system appears in the same area, the nRF24Z1 system is likely to collide with the other system on some of the channels and lose one or more RF packets.

If the poor quality on a certain channel prevails, ATX removes it from the channels used by the frequency hopping algorithm. A synchronized frequency hopping table is kept in the ARX by use of the service channel superimposed on the audio stream. The communication problems on this channel will hence not affect the nRF24Z1 link quality thereafter.

The channels that are taken out of the channel hopping sequence are put on a five level FIFO list. The first channel in the list will hence be released when the sixth channel with too poor communication quality is found.

With this list the nRF24Z1 can in all refrain from using 20 MHz of the 2.4 GHz band which means that it is capable of masking out an entire WLAN channel for instance.

To minimise linking time between two nRF24Z1, the same basic frequency hopping scheme (CHP1-CHP3) must be set on both ATX and ARX side.

## 8.4 Link registers

The QoS engine by use of the input from the registers presented above will maintain a RF link. The nRF24Z1 has a number of link registers which primary function is to monitor the overall quality on the link and enable actions to be taken based on it. The link monitoring registers are listed in Table 8-4..



Address Hex	Register	R/W	Initial Hex	Description
0x04	LNKQ	R	0x00	Link quality register. Number of successfully transferred packets per unit of time. A value of 0 means all packets out of 256 are lost, a value of 128 means that 50% of the packets were lost and a value of 255 means that no packet out of 256 is lost. This number always represents the status over the last 256 packets transmitted.
0x05	LNKERR	R	0x00	Link error register. Number of audio packets permanently lost per unit of time. A packet is permanently lost if it's not successfully received at the time its required at the audio output. A permanently lost will be audible!
0x31	LNKWTH	R/W	0xff	Link warning threshold limit. A LNKQ value $\leq$ LNKWTH will cause IRQ to be activated (if enabled by INTCF.5)
0x32	LNKETH	R/W	0xff	Link error threshold limit. A LNKERR value $\geq$ LNKETH will cause IRQ to be activated (if enabled by INTCF.5)

Table 8-4 Link quality monitoring registers

Registers LNKQ shows how hard the quality of service engine is working to maintain the link and the LNKERR shows how many times it has actually failed. LNKWTH and LNKETH enable the main system to be interrupted if one or the other of these quality indicators drops below an acceptable level.

The overall status of the link can be monitored in register LNKSTA and direct actions to be taken upon the quality requirements set in LNKWTH and LNKETH can be set in register LNKMOD. Registers LNKSTA and LNKMOD are listed in Table 8-5.



Address Hex	Register	R/W	Initial Hex	Description																																		
0x03	LNKSTA	R	0x00	Link status register <table border="1"> <thead> <tr> <th>Bit</th> <th>Interpretation</th> </tr> </thead> <tbody> <tr> <td>7:6</td> <td>Reserved, do not use</td> </tr> <tr> <td>5</td> <td>LNKERR Changed</td> </tr> <tr> <td>4</td> <td>LNKQ Changed</td> </tr> <tr> <td>3:1</td> <td>Reserved, do not use</td> </tr> <tr> <td>0</td> <td>Link established</td> </tr> </tbody> </table>	Bit	Interpretation	7:6	Reserved, do not use	5	LNKERR Changed	4	LNKQ Changed	3:1	Reserved, do not use	0	Link established																						
Bit	Interpretation																																					
7:6	Reserved, do not use																																					
5	LNKERR Changed																																					
4	LNKQ Changed																																					
3:1	Reserved, do not use																																					
0	Link established																																					
0x30	LNKMOD	R/W	0x00	Link mode register. <table border="1"> <thead> <tr> <th>Bit</th> <th>Interpretation</th> </tr> </thead> <tbody> <tr> <td>7</td> <td>Reserved</td> </tr> <tr> <td>6</td> <td>ATX and ARX will reset to initial register content if no counterpart is found on next link initialization.</td> </tr> <tr> <td>5</td> <td>Reserved, MBZ</td> </tr> <tr> <td>4</td> <td>Reserved, MBZ.</td> </tr> <tr> <td>3:2</td> <td>Action when LNKERR &gt; LNKETH               <table border="1"> <thead> <tr> <th>Value</th> <th>Interpretation</th> </tr> </thead> <tbody> <tr> <td>00</td> <td>Mute</td> </tr> <tr> <td>01</td> <td>Reserved, MBZ</td> </tr> <tr> <td>10</td> <td>Reserved, MBZ</td> </tr> <tr> <td>11</td> <td>No action</td> </tr> </tbody> </table> </td> </tr> <tr> <td>1:0</td> <td>Action when LNKQ &lt; LNKWTH               <table border="1"> <thead> <tr> <th>Value</th> <th>Interpretation</th> </tr> </thead> <tbody> <tr> <td>00</td> <td>Mute</td> </tr> <tr> <td>01</td> <td>Reserved, MBZ</td> </tr> <tr> <td>10</td> <td>Reserved, MBZ</td> </tr> <tr> <td>11</td> <td>No action</td> </tr> </tbody> </table> </td> </tr> </tbody> </table>	Bit	Interpretation	7	Reserved	6	ATX and ARX will reset to initial register content if no counterpart is found on next link initialization.	5	Reserved, MBZ	4	Reserved, MBZ.	3:2	Action when LNKERR > LNKETH <table border="1"> <thead> <tr> <th>Value</th> <th>Interpretation</th> </tr> </thead> <tbody> <tr> <td>00</td> <td>Mute</td> </tr> <tr> <td>01</td> <td>Reserved, MBZ</td> </tr> <tr> <td>10</td> <td>Reserved, MBZ</td> </tr> <tr> <td>11</td> <td>No action</td> </tr> </tbody> </table>	Value	Interpretation	00	Mute	01	Reserved, MBZ	10	Reserved, MBZ	11	No action	1:0	Action when LNKQ < LNKWTH <table border="1"> <thead> <tr> <th>Value</th> <th>Interpretation</th> </tr> </thead> <tbody> <tr> <td>00</td> <td>Mute</td> </tr> <tr> <td>01</td> <td>Reserved, MBZ</td> </tr> <tr> <td>10</td> <td>Reserved, MBZ</td> </tr> <tr> <td>11</td> <td>No action</td> </tr> </tbody> </table>	Value	Interpretation	00	Mute	01	Reserved, MBZ	10	Reserved, MBZ	11	No action
Bit	Interpretation																																					
7	Reserved																																					
6	ATX and ARX will reset to initial register content if no counterpart is found on next link initialization.																																					
5	Reserved, MBZ																																					
4	Reserved, MBZ.																																					
3:2	Action when LNKERR > LNKETH <table border="1"> <thead> <tr> <th>Value</th> <th>Interpretation</th> </tr> </thead> <tbody> <tr> <td>00</td> <td>Mute</td> </tr> <tr> <td>01</td> <td>Reserved, MBZ</td> </tr> <tr> <td>10</td> <td>Reserved, MBZ</td> </tr> <tr> <td>11</td> <td>No action</td> </tr> </tbody> </table>	Value	Interpretation	00	Mute	01	Reserved, MBZ	10	Reserved, MBZ	11	No action																											
Value	Interpretation																																					
00	Mute																																					
01	Reserved, MBZ																																					
10	Reserved, MBZ																																					
11	No action																																					
1:0	Action when LNKQ < LNKWTH <table border="1"> <thead> <tr> <th>Value</th> <th>Interpretation</th> </tr> </thead> <tbody> <tr> <td>00</td> <td>Mute</td> </tr> <tr> <td>01</td> <td>Reserved, MBZ</td> </tr> <tr> <td>10</td> <td>Reserved, MBZ</td> </tr> <tr> <td>11</td> <td>No action</td> </tr> </tbody> </table>	Value	Interpretation	00	Mute	01	Reserved, MBZ	10	Reserved, MBZ	11	No action																											
Value	Interpretation																																					
00	Mute																																					
01	Reserved, MBZ																																					
10	Reserved, MBZ																																					
11	No action																																					

Table 8-5 Link registers

### 8.4.1 RF link latency

It is possible to trade link robustness versus link latency. In systems where latency is not important, like CD player headsets, high latency option should be used. Latency is set in TXLAT register as shown below. Note that delay depends on audio sampling rate  $F_s$ .



Address Hex	Register	R/W	Initial Hex	Description				
0x12	TXLAT	R/W	0x00	ATX to ARX Latency				
				Value	Interpretation	Fs = 48kHz	Fs= 44.1kHz	Fs= 32kHz
				0	Nominal	12.5ms	13 ms	16 ms
				1	High	20 ms	21.5ms	28
2	Short	7 ms	7 ms	8 ms				

Table 8-6 Register TXLAT

### 8.5 RF output power

The only configurable parameter in the RF sub system are the RF output power from the device. The output power are set in registers TXPWR for ATX and RXPWR for ARX.

Address Hex	Register	R/W	Initial Hex	Description	
0x16	TXPWR	R/W	0x03	Audio transmitter output power	
				Value	Interpretation
				0	-20 dBm
				1	-10 dBm
				2	-5 dBm
3	0 dBm				
0x49	RXPWR	R/W	0x00	Audio receiver output power	
				Value	Interpretation
				0	-20 dBm
				1	-10 dBm
				2	-5 dBm
3	0 dBm				

Table 8-7 Registers TXPWR and RXPWR

Note that both the output power registers are accessible from the ATX an external system may hence tune the output power based on the result of the RF link quality registers presented above. Reducing the output power from a RF device both saves current and eases the co-existence with this device. Remember that the other RF system your system are colliding with may well be another (of your) nRF24Z1 systems.



## 9 INTERRUPTS

A nRF24Z1 in ATX mode can deliver a interrupt to the external system on pin IRQ. Interrupt sources are set in register INTCF (0x13) and interrupt status flags are available in register INTSTA (0x02)

Address Hex	Register	R/W	Initial Hex	Description														
0x02	INTSTA	R	0x00	Read interrupt status. Clear interrupt source bits that are read out. <table border="1"> <thead> <tr> <th>Bit</th> <th>Interpretation</th> </tr> </thead> <tbody> <tr> <td>7</td> <td>Reserved, do not use</td> </tr> <tr> <td>6</td> <td>link broken status flag</td> </tr> <tr> <td>5</td> <td>poor link quality status flag</td> </tr> <tr> <td>4</td> <td>remote transfer done status flag</td> </tr> <tr> <td>3</td> <td>remote input changed status flag</td> </tr> <tr> <td>2:0</td> <td>Reserved, do not use</td> </tr> </tbody> </table> See INTCF for interrupt enabling	Bit	Interpretation	7	Reserved, do not use	6	link broken status flag	5	poor link quality status flag	4	remote transfer done status flag	3	remote input changed status flag	2:0	Reserved, do not use
Bit	Interpretation																	
7	Reserved, do not use																	
6	link broken status flag																	
5	poor link quality status flag																	
4	remote transfer done status flag																	
3	remote input changed status flag																	
2:0	Reserved, do not use																	
0x13	INTCF	R/W	0x00	Interrupt configuration. Select events that can generate interrupt on the IRQ pin. <table border="1"> <thead> <tr> <th>Bit</th> <th>Interpretation</th> </tr> </thead> <tbody> <tr> <td>7</td> <td>Interrupt polarity, 1 is active high</td> </tr> <tr> <td>6</td> <td>Enable link broken interrupt</td> </tr> <tr> <td>5</td> <td>Enable poor link quality interrupt</td> </tr> <tr> <td>4</td> <td>Enable remote transfer done interrupt</td> </tr> <tr> <td>3</td> <td>Enable remote input changed interrupt</td> </tr> <tr> <td>2:0</td> <td>Reserved, MBZ</td> </tr> </tbody> </table>	Bit	Interpretation	7	Interrupt polarity, 1 is active high	6	Enable link broken interrupt	5	Enable poor link quality interrupt	4	Enable remote transfer done interrupt	3	Enable remote input changed interrupt	2:0	Reserved, MBZ
Bit	Interpretation																	
7	Interrupt polarity, 1 is active high																	
6	Enable link broken interrupt																	
5	Enable poor link quality interrupt																	
4	Enable remote transfer done interrupt																	
3	Enable remote input changed interrupt																	
2:0	Reserved, MBZ																	

Table 9-1 Registers INTCF and INTSTA



## 10 RESET OUTPUTS

Some pins of the nRF24Z1 not used for other functionality can provide reset pulses to external peripherals.

The need for external RESET's happens when nRF24Z1 is operated standalone and no 'intelligent' devices such as a microcontroller are available to provide RESET to peripherals (such as ADC or DAC).

This external RESET is will happen after configuration data is loaded into nRF24Z1 and RESET level will be kept until nRF24Z1 is ready to stream data.

Which nRF24Z1 I/O pin to use and polarity of the reset signal is controlled by registers TXRESO (0x10) for ATX and RXRESO (0x40) for ARX peripherals.

The registers are described in the table below.

Address Hex	Register	R/W	Initial Hex	Description	
0x10	TXRESO	R/W	0x00	Optional RESET pulse output from ATX may be enabled.	
				Bit	Interpretation
				7:3	Reserved, MBZ
				2:1	0 : no RESET output 1 : RESET output on MSDA pin 2 : RESET output on MOSI pin 3 : RESET output on SPDIO pin
0	ATX RESET output polarity 0 : active low 1 : active high length of reset pulse is ca 285us				
0x40	RXRESO	R/W	0x00	Optional RESET pulse output from ARX may be enabled.	
				Bit	Interpretation
				7:3	Reserved, MBZ
				2:1	0 : no RESET output 1 : RESET output on MSDA pin 2 : RESET output on MOSI pin 3 : RESET output on SPDIO pin
0	ARX RESET output polarity 0 : active low 1 : active high length of reset pulse is ca 285us				

Table 10-1 TXRESO and RXRESO registers



## 11 POWER DOWN CONTROL

The nRF24Z1 power down mode enables nRF24Z1 applications to set up a number of power saving routines.

### 11.1 Enter power down

nRF24Z1 can only enter power-down mode of the nRF24Z1 if an external controlling device sets it to.

The normal way to initiate power down is for a controlling device connected to an ATX to set the linked ARX in power down (register RXMOD[7]=0) and then set the ATX in power down(register TXMOD[6]=0).

The registers are shown in Table 11-1.

Address Hex	Register	R/W	Initial Hex	Description																
0x1A	TXMOD	R/W	0x00	Operation modes for audio transmitter <table border="1"> <tr><td>7</td><td>RF transmitter enable</td></tr> <tr><td>6</td><td>Audio transmitter power down</td></tr> <tr><td>5</td><td>Enable wakeup on changing DD[1]</td></tr> <tr><td>4</td><td>REQ pin polarity (0 for active low)</td></tr> <tr><td>3</td><td>Direct data from pins DD[2:0].</td></tr> <tr><td>2</td><td>S/PDIF enable (default input is I2S)</td></tr> <tr><td>1:0</td><td>MCLK output control**</td></tr> </table>	7	RF transmitter enable	6	Audio transmitter power down	5	Enable wakeup on changing DD[1]	4	REQ pin polarity (0 for active low)	3	Direct data from pins DD[2:0].	2	S/PDIF enable (default input is I2S)	1:0	MCLK output control**		
7	RF transmitter enable																			
6	Audio transmitter power down																			
5	Enable wakeup on changing DD[1]																			
4	REQ pin polarity (0 for active low)																			
3	Direct data from pins DD[2:0].																			
2	S/PDIF enable (default input is I2S)																			
1:0	MCLK output control**																			
0x4A	RXMOD	R/W	0x80	Set operation modes for audio receiver <table border="1"> <thead> <tr> <th>Bit</th> <th>Interpretation</th> </tr> </thead> <tbody> <tr><td>7</td><td>Receiver power down</td></tr> <tr><td>6</td><td>Reserved, MBZ</td></tr> <tr><td>5</td><td>Reserved, MBZ</td></tr> <tr><td>4</td><td>REQ pin polarity</td></tr> <tr><td>3</td><td>Reserved, MBZ</td></tr> <tr><td>2</td><td>S/PDIF enable</td></tr> <tr><td>1:0</td><td>Reserved, MBZ</td></tr> </tbody> </table>	Bit	Interpretation	7	Receiver power down	6	Reserved, MBZ	5	Reserved, MBZ	4	REQ pin polarity	3	Reserved, MBZ	2	S/PDIF enable	1:0	Reserved, MBZ
Bit	Interpretation																			
7	Receiver power down																			
6	Reserved, MBZ																			
5	Reserved, MBZ																			
4	REQ pin polarity																			
3	Reserved, MBZ																			
2	S/PDIF enable																			
1:0	Reserved, MBZ																			

Table 11-1 Power down control registers

### 11.2 Wake up from power down

To emerge from power down there are two options; change on external pin and timer controlled.





### 11.2.1 External pin change

To minimise current consumption the nRF24Z1 can be put in power down until the level on an external pin is changed to initiate wake up and new link initialization.

In ATX there is one pin, DD[1], that can enable a wakeup, it is controlled in register TXMOD[5]. In ARX a wake-up can be initiated by a change on any of the input pins DI[3:0] wake-up enable is controlled by register RXWAKE. The external wake up control registers are shown in Table 11-2

Address Hex	Register	R/W	Initial Hex	Description																
0x1A	TXMOD	R/W	0x00	Operation modes for audio transmitter <table border="1"> <tr><td>7</td><td>RF transmitter enable</td></tr> <tr><td>6</td><td>Audio transmitter power down</td></tr> <tr><td>5</td><td>Enable wakeup on changing DD[1]</td></tr> <tr><td>4</td><td>REQ pin polarity (0 for active low)</td></tr> <tr><td>3</td><td>Direct data from pins DD[2:0].</td></tr> <tr><td>2</td><td>S/PDIF enable (default input is I2S)</td></tr> <tr><td>1:0</td><td>MCLK output control**</td></tr> </table>	7	RF transmitter enable	6	Audio transmitter power down	5	Enable wakeup on changing DD[1]	4	REQ pin polarity (0 for active low)	3	Direct data from pins DD[2:0].	2	S/PDIF enable (default input is I2S)	1:0	MCLK output control**		
7	RF transmitter enable																			
6	Audio transmitter power down																			
5	Enable wakeup on changing DD[1]																			
4	REQ pin polarity (0 for active low)																			
3	Direct data from pins DD[2:0].																			
2	S/PDIF enable (default input is I2S)																			
1:0	MCLK output control**																			
0x45	RXWAKE	R/W	0x28	Wakeup sources for audio receiver <table border="1"> <thead> <tr> <th>Bit</th> <th>Interpretation</th> </tr> </thead> <tbody> <tr><td>7:6</td><td>Reserved, MBZ</td></tr> <tr><td>5</td><td>Goto powerdown mode on DI3 change</td></tr> <tr><td>4</td><td>Wakeup on sleep timer</td></tr> <tr><td>3</td><td>Wakeup on DI3 change</td></tr> <tr><td>2</td><td>Wakeup on DI2 change</td></tr> <tr><td>1</td><td>Wakeup on DI1 change</td></tr> <tr><td>0</td><td>Wakeup on DI0 change</td></tr> </tbody> </table>	Bit	Interpretation	7:6	Reserved, MBZ	5	Goto powerdown mode on DI3 change	4	Wakeup on sleep timer	3	Wakeup on DI3 change	2	Wakeup on DI2 change	1	Wakeup on DI1 change	0	Wakeup on DI0 change
Bit	Interpretation																			
7:6	Reserved, MBZ																			
5	Goto powerdown mode on DI3 change																			
4	Wakeup on sleep timer																			
3	Wakeup on DI3 change																			
2	Wakeup on DI2 change																			
1	Wakeup on DI1 change																			
0	Wakeup on DI0 change																			

Table 11-2 external wake-up control registers

### 11.2.2 Timer controlled wake up

The nRF24Z1 can also be run in a power saving mode where timers controls occasional wake up of the device to search for counter parts on the air. In this case the average current consumption will be higher than the power down current itself, but nRF24Z1 will be able to re-initialise the RF link without any user interaction. If the nRF24Z1 don't find any counterparts within a certain time interval after the wake-up it can go back to sleep.

When the nRF24Z1 enters power down the link is broken so ATX and ARX timing are no longer synchronised, a separate set of timers are hence found in ATX and ARX.

The timer wake up sequence is controlled by a 16 bit sleep interval timer (ATX: TXSTI, ARX: RXSTI) and an 8 bit wake interval timer (ATX: TXWTI, ARX: RXWTI). The


**nRF24Z1 wireless audio streamer**

content of the sleep timer control registers sets how many 10 ms intervals the nRF24Z1 will sleep before it wakes up and tries to establish a RF link. The wake interval timers correspondingly sets how many 10 ms intervals the nRF24Z1 should attempt to re-link before it goes back to power down.

If the two paired nRF24Z1's are on the air at the same time, a link is established and the controlling device (MCU) on the ATX side must reset timers to prevent a return to power down again.

The sleep and wake timers are controlled by the registers shown in Table 11-3.

Address Hex	Register	R/W	Initial Hex	Description
0x17	TXSTI[0]	R/W	0x00	Audio transmitter (and link) sleep timer byte #0 TXSTI is a 16-bit number specifying the number of 10 ms (nominal) periods the audio transmitter should sleep between attempting to establish a new link.
0x18	TXSTI[1]	R/W	0x00	Audio transmitter sleep timer byte #1
0x19	TXWTI	R/W	0x00	Audio transmitter wake timer. With TXWTI set to 0, the audio transmitter will not go back to power down mode. A number larger than 0 will specify the number of 10ms (nominal) periods before the audio transmitter will reenter power down mode.
0x46	RXSTI[0]	R/W	0x00	Audio receiver sleep timer byte #0 RXSTI is a 16-bit number specifying the number of 10 ms (nominal) periods the audio receiver should sleep between attempting to establish a new link. Only used if sleep timer is enabled, see bit 4 of RWAKE register.
0x47	RXSTI[1]	R/W	0x00	Audio receiver sleep timer byte #1
0x48	RXWTI	R/W	0x00	Audio receiver wake timer. With RXWTI set to 0, the audio receiver will not go back to power down mode. A number larger than 0 will specify the number of 10ms (nominal) periods before the audio receiver will reenter power down mode.

Table 11-3 sleep and wake timer registers

### 11.3 nRF24Z1 power saving example

Combining the two power-down control methods described above is of course no problem. Pushing a button on an active speaker (ARX) every time it is to be used, may be too inconvenient for the user. A timer controlled power saving when the speaker is not in use may hence justify the added current consumption compared to a full power down.


**nRF24Z1 wireless audio streamer**

On the audio source side (ATX), which can be a CD player, on the other hand the user interacts to start a play back anyway. Here wake up on an external pin can be used.

Figure 11-1 shows an example of timer controlled power down in ARX combined with power down with wake up on external pin event in ATX. In this example the ATX is shut down completely until a user activates the player while the speakers will seemingly always be on for the user.

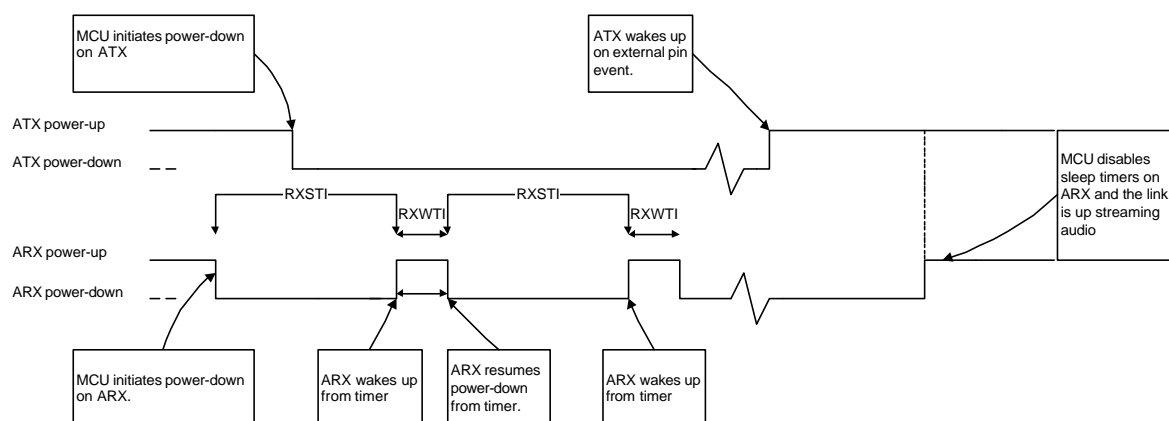


Figure 11-1 : nRF24Z1 power saving

What is actually happening is that the ARX is listening on the air at regular intervals (polling the air) for incoming traffic from the ATX. Once this happens (CD player is turned on) the ARX goes into normal operation.

For an end user this will seem like the loud speaker turns itself on upon incoming RF traffic from ATX. But since the ARX is only listening at intervals set by RXSTI, this time will be experienced as a start up delay by the end user. To get a wireless audio link that responds instantaneous RXSTI should hence be set as short as possible, preferably not longer than the start delay of other parts of the system (CD player motor for instance).

At the same time the ratio of ARX active time (RXWTI, using 32 mA) and sleep time (RXSTI, using 4 uA) will decide the average current consumption in the loudspeakers when the system is idle.

The final numbers to be put in the power down control timers will hence be a trade-off between the start-up time wanted on the link and the average current consumption one can tolerate when in idle.



## 12 REGISTER UPDATE OVER THE DATA LINK

The registers TXCSTATE, LNKCSTATE, RXCSTATE can be used by a ATX MCU to update audio receiver control registers via the data link. Write to these registers from a ARX MCU is illegal.

Address Hex	Register	R/W	Initial Hex	Description
0x1B	TXCSTATE	R/W	0x00	controls when to send ATX side registers TXFMT, TXLAT, I2SCNF_IN, I2SRAT over the data link to ARX. 0 : the registers are free to be written. 1 : the registers may not be accessed. Setting TXCSTATE=1 tells ATX to send the registers values to ARX, and TXSTATE will be reset to 0 by ATX upon successful transfer to ARX. Then ATX will break link and relink An external MCU should poll this register before accessing these register.
0x3E	LNKCSTATE	R/W	0x00	controls when to send ATX side Link control registers over the data link to ARX. 0 : Link control registers free to be written. 1 : Link control registers may not be accessed Setting LNKCSTATE=1 tells ATX to send Link control registers values to ARX, and LNKCSTATE will be reset to 0 by ATX upon successful transfer to ARX. Then ATX will break link an relink. An external MCU should poll this register before accessing any Link control register.
0x4B	RXCSTATE	R/W	0x00	controls when to send ATX side ARX control registers over the data link to ARX. 0 : ARX control registers free to be used. 1 : ARX control registers may not be accessed Setting RXCSTATE=1 tells ATX to send all ARX control registers values to ARX, and RXSTATE will be reset to 0 by ATX upon successful transfer to ARX. An external MCU should poll this register before accessing any ARX control register.

Table 12-1 : register update registers



## 13 ELECTRICAL SPECIFICATION

Conditions: VDD = +3V, VSS = 0V, T<sub>A</sub> = - 20°C to + 80°C

Symbol	Parameter (condition)	Notes	Min.	Typ.	Max.	Units
<b>Operating conditions</b>						
VDD	Supply voltage		2.0	3.0	3.6	V
TEMP	Operating temperature		-20	27	80	°C
<b>Digital input pins</b>						
V <sub>IH</sub>	HIGH level input voltage		0.7 *VDD		VDD	V
V <sub>IL</sub>	LOW level input voltage		VSS		0.3*VDD	V
<b>Digital output pins</b>						
V <sub>OH</sub>	HIGH level output voltage (I <sub>OH</sub> =-0.5mA)		VDD-0.3		VDD	V
V <sub>OL</sub>	LOW level output voltage (I <sub>OL</sub> =0.5mA)		VSS		0.3	V
I <sub>OL_HD</sub>	High drive sink current for DO[0] and DO[2] @ V <sub>OL</sub> = 0.4V	1			10	mA
I <sub>OH_HD</sub>	High drive source current for DO[1] and DO[3] @ V <sub>OH</sub> = VDD-0.4V	1			10	mA
<b>General electrical specification</b>						
I <sub>PD</sub>	Supply current in power down mode			4		µA
<b>General RF conditions</b>						
f <sub>OP</sub>	Operating frequency	2	2400		2521	MHz
Δf	Frequency deviation			+/-640		kHz
R <sub>GFSK</sub>	GFSK data rate			4000		kbps
f <sub>CHANNEL</sub>	Channel spacing			4		MHz
f <sub>XTAL</sub>	Crystal frequency	3		16		MHz
C <sub>load</sub>	Crystal load capacitance	3	8	12	16	pF
Δ f <sub>XTAL</sub>	Crystal frequency tolerance + temperature drift	3			+/-30	ppm
<b>RF Transmit mode</b>						
P <sub>RF_0dBm</sub>	Maximum output power (TXPWR=3)	4		0	3	dBm
P <sub>RF_-5dBm</sub>	Maximum output power (TXPWR=2)	4		-5	0	dBm
P <sub>RF_-10dBm</sub>	Maximum output power (TXPWR=1)	4		-10	-5	dBm
P <sub>RF_-20dBm</sub>	Maximum output power (TXPWR=0)	4		-20	-12	dBm
P <sub>RFC</sub>	RF power control range		16	20		dB
P <sub>RFCR</sub>	RF power range control resolution				+/-3	dB
P <sub>BW</sub>	20dB bandwidth for modulated carrier			4000		kHz
I <sub>TX_0dBm</sub>	Supply current @ 0dBm output power			17		mA
I <sub>TX_-5dBm</sub>	Supply current @ -5dBm output power			15		mA
I <sub>TX_-10dBm</sub>	Supply current @ -10dBm output power			14		mA
I <sub>TX_-20dBm</sub>	Supply current @ -20dBm output power			13		mA
<b>RF Receive mode</b>						
I <sub>RX</sub>	Supply current in receive mode			32		mA
RX <sub>SENS</sub>	Sensitivity at 0.1%BER			-80		dBm
RX <sub>MAX</sub>	Maximum received signal		0			dBm

<sup>1</sup> Output pin programmed for high current (register RXPIO)

<sup>2</sup> Device operates in the 2400 MHz ISM band (2400-2483 MHz).

<sup>3</sup> For further details on crystal specification, please see section 16.2

<sup>4</sup> Antenna load impedance = 100Ω+j175Ω, please see chapter 16 application information



<b>I2S interface timing</b>		(see also Figure 7-2 and Figure 7-3)				
$T_{I2S}$	I2S clock period		150			ns
$t_{sI2S}$	DATA and WS (input) setup time to CLK		20			ns
$t_{hI2S}$	DATA and WS (input) hold time from CLK		20			ns
$t_{dI2S}$	DATA and WS (output) delay from CLK				40	ns
<b>MCLK (256 F<sub>S</sub>) output clock</b>						
$\Delta f_{MCLK}$	Locking range vs nominal MCLK frequency	1	-500		+500	ppm
$J_{RMS}$	RMS jitter 0-25kHz			250	310	ps
<b>Slave SPI interface timing</b>		(see also Figure 7-10)				
$T_{SSCK}$	SSCK clock period	2	62			ns
$t_{suSSPI}$	SMOSI setup time to SSCK		10			ns
$t_{hdSSPI}$	SMOSI hold time from SSCK		10			ns
$t_{dSSPI}$	SMISO delay from SSCK				55	ns
$t_{dSSCK}$	SCSN setup time to SSCK		10			ns
$t_{SRD}$	SPI slave ready		5			ms
<b>Master SPI interface timing</b>		(see also Figure 7-4)				
$T_{MSCK}$	MSCK clock period		125			ns
$t_{suMSPI}$	MMISO setup time to MSCK		55			ns
$t_{hdMSPI}$	MMISO hold time from MSCK		10			ns
$t_{dMSPI}$	MMOSI delay from MSCK				20	ns
$t_{dMSCK}$	MCSN setup to MSCK		30	500		ns
<b>Slave 2-wire interface timing</b>		(see also Figure 7-11)				
$T_{SSCL}$	2-wire clock period		1000			ns
$t_{SW2\_dsu}$	SSDA setup time to SSCL		50			ns
$t_{SW2\_dhd}$	SSDA hold time from SSCL		65			ns
$t_{SW2\_od}$	SSDA 1->0 delay from SSCL				170	ns
<b>Master 2-wire interface timing</b>		(see also Figure 7-6)				
$T_{MSCL}$	2-wire clock period		1000			ns
$t_{MW2\_dsu}$	MSDA setup time to MSCL		60			ns
$t_{MW2\_dhd}$	MSDA hold time from MSCL		50			ns
$t_{MW2\_od}$	MSDA 1->0 delay from MSCL				50	ns

Table 13-1 nRF24Z1 electrical specification.

<sup>1</sup> Nominal MCLK frequency is 256 times  $f_S$  for  $f_S$  in [32kHz, 44.1kHz, 48kHz] programmable

<sup>2</sup> For VDD 3.0V +/-10%, otherwise minimum  $T_{SSCK}$  is 124ns (8MHz)



## 14 ABSOLUTE MAXIMUM RATINGS

### Supply Voltages

VDD .....- 0.3V to + 3.6V

VSS ..... 0V

### Input Voltage

V<sub>I</sub>.....- 0.3V to VDD + 0.3V

### Output Voltage

V<sub>O</sub>.....- 0.3V to VDD + 0.3V

### Total Power Dissipation

P<sub>D</sub>(T<sub>A</sub>=85°C) .....115mW

### Temperatures

Operating temperature..... - 20°C to + 80°C

Storage temperature ..... - 40°C to + 125°C

*Note: Stress exceeding one or more of the limiting values may cause permanent damage to the device.*

### ATTENTION!

Electrostatic sensitive device.

Observe precaution for handling.





**15 PACKAGE OUTLINE**

nRF24Z1 is packaged in a 36 pin 6 by 6 QFN (all dimensions in mm) matt tin plating.

Package Type		A	A <sub>1</sub>	A <sub>2</sub>	b	D/E	D1/E1	e	J	K	L	R
Green QFN36 (6x6 mm)	Min	0.8	0.0	0.65	0.18	6 BSC	5.75 BSC	0.5 BSC	4.47	4.47	0.3	1.735
	typ.		0.02		0.23				4.57	4.57	0.4	1.835
	Max	0.9	0.05	0.69	0.3				4.67	4.67	0.5	1.935

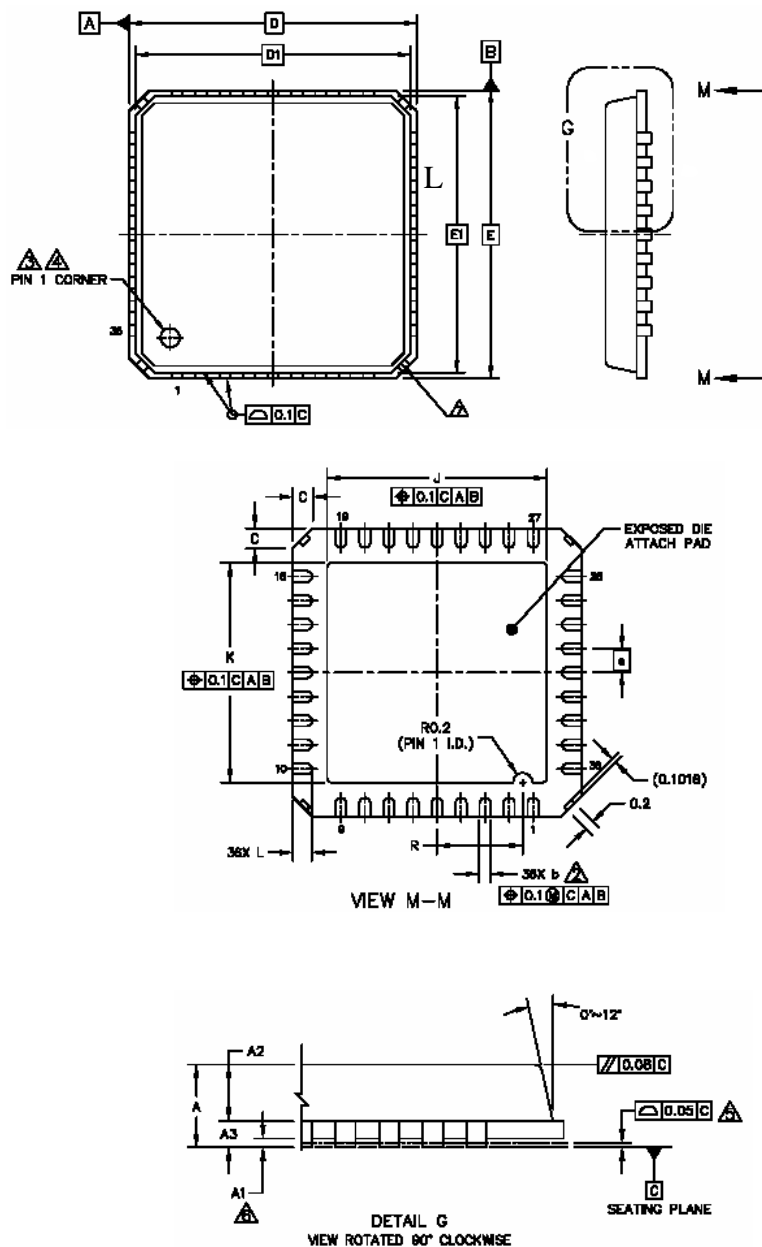


Figure 15-1 : nRF24Z1 package outline.





## 16 APPLICATION INFORMATION

### 16.1 Antenna I/O

The ANT1 & ANT2 output pins provide a balanced RF output to the antenna. The pins must have a DC path to VDD\_PA, either via a RF choke or via the center point in a balanced antenna. Differential load impedance between the ANT1 and ANT2 pins,  $100\Omega + j175\Omega$ , is recommended for maximum output power. Antennas with lower load impedance (for example  $50\Omega$ ) can be matched to nRF24Z1 by using a simple matching network.

### 16.2 Crystal Specification

Tolerance includes initially accuracy and tolerance over temperature and aging.

Frequency	$C_L$	ESR	$C_{0max}$	Tolerance
16MHz	8pF – 16pF	100 $\Omega$	7.0pF	$\pm 30$ ppm

Table 16-1 Crystal specification of nRF24Z1

To achieve a crystal oscillator solution with low power consumption and fast start-up time, it is recommended to specify the crystal with a low value of crystal load capacitance.

The crystal load capacitance,  $C_L$ , is given by:

$$C_L = \frac{C_1' \cdot C_2'}{C_1' + C_2'}, \quad \text{where } C_1' = C_1 + C_{PCB1} + C_{I1} \text{ and } C_2' = C_2 + C_{PCB2} + C_{I2}$$

$C_1$  and  $C_2$  are SMD capacitors as shown in the application schematics.  $C_{PCB1}$  and  $C_{PCB2}$  are the layout parasitic on the circuit board.  $C_{I1}$  and  $C_{I2}$  are the capacitance seen into the XC1 and XC2 pin respectively; the value is typical 1pF.

### 16.3 Bias reference resistor

A resistor between pin IREF (pin24) and ground sets up the bias reference for the nRF24Z1. A 22 k $\Omega$  (1%) resistor is to be fitted, and changing the value of this resistor will degrade the nRF24Z1 performance directly.

### 16.4 Internal digital supply de-coupling

Pin DVDD (pin15) is a regulated output of the internal digital power supply of nRF24Z1. The pin is purely for de-coupling purposes and only a 33 nF (X7R) capacitor is to be connected. The pin must not be connected to external VDD and can not be used as power supply for external devices.



### **16.5 PCB layout and de-coupling guidelines**

A well-designed PCB is necessary especially to achieve good RF performance. Keep in mind that a poor layout may lead to loss of performance, or even functionality. A fully qualified RF-layout for the nRF24Z1 and its surrounding components, including antenna matching network, can be downloaded from [www.nordicsemi.no](http://www.nordicsemi.no).

A PCB with a minimum of two layers with ground planes is recommended for optimum performance. The nRF24Z1 DC supply voltage should be de-coupled as close as possible to the VDD pins, see ch.17. It is preferable to mount a large surface mount capacitor (e.g. 4.7 $\mu$ F tantalum) in parallel with the smaller value capacitors. The nRF24Z1 supply voltage should be filtered and routed separately from the supply voltages of other circuitry.

Long power supply lines on the PCB should be avoided. All device grounds, VDD connections and VDD bypass capacitors must be connected as close as possible to the nRF24Z1 IC. All the VSS pads in a nRF24Z1 layout should be connected directly to a ground plane and one via should be put as close as possible to each of them. Full swing digital data or control signals should not be routed close to the crystal or the power supply lines.



## 17 APPLICATION EXAMPLE

The following example shows a nRF24Z1 schematic and layout where the ATX is controlled over SPI by an external MCU and the ARX has a SPI EEPROM attached for stand alone operation.

Interfaces that are routed out from nRF24Z1:

- Audio: I2S
- ATX control: SPI slave
- ATX GPIO: DD[1:0]
- ATX external interrupt pin (IRQ)
- ARX GPIO: DI[3:0], DO[3:0]

### 17.1 nRF24Z1 schematics

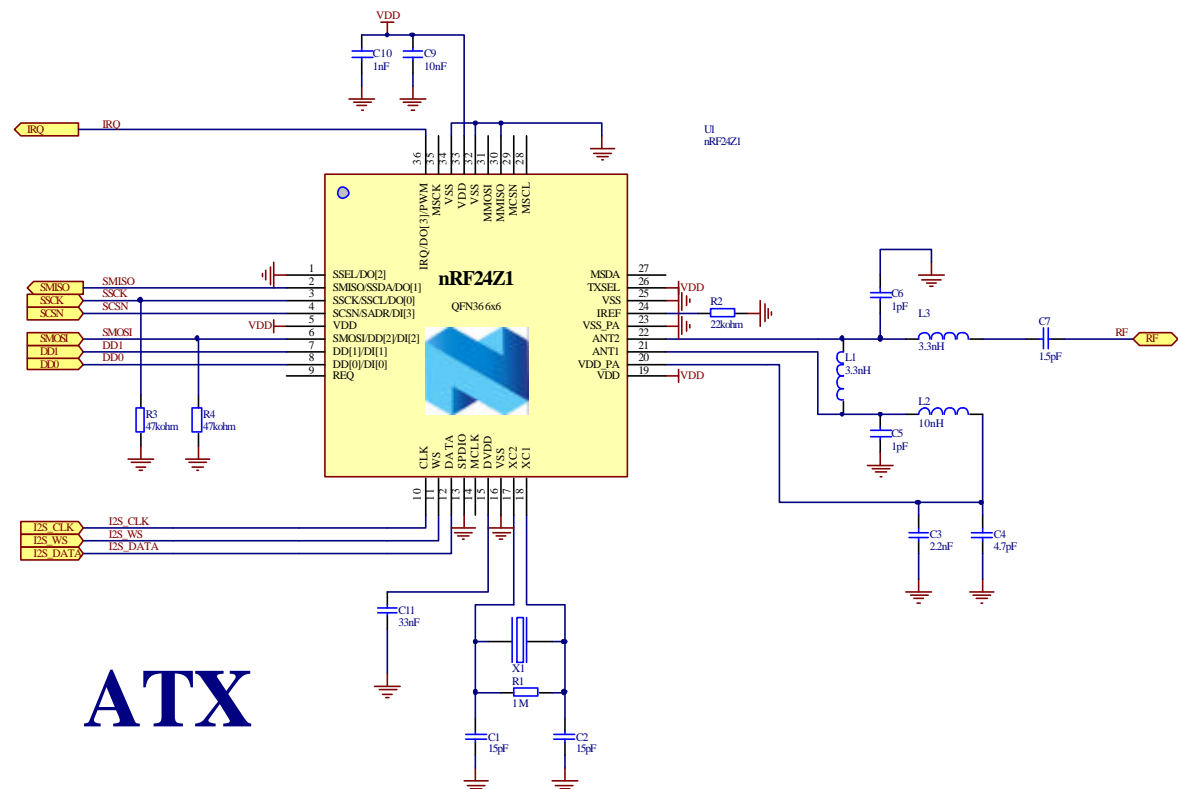
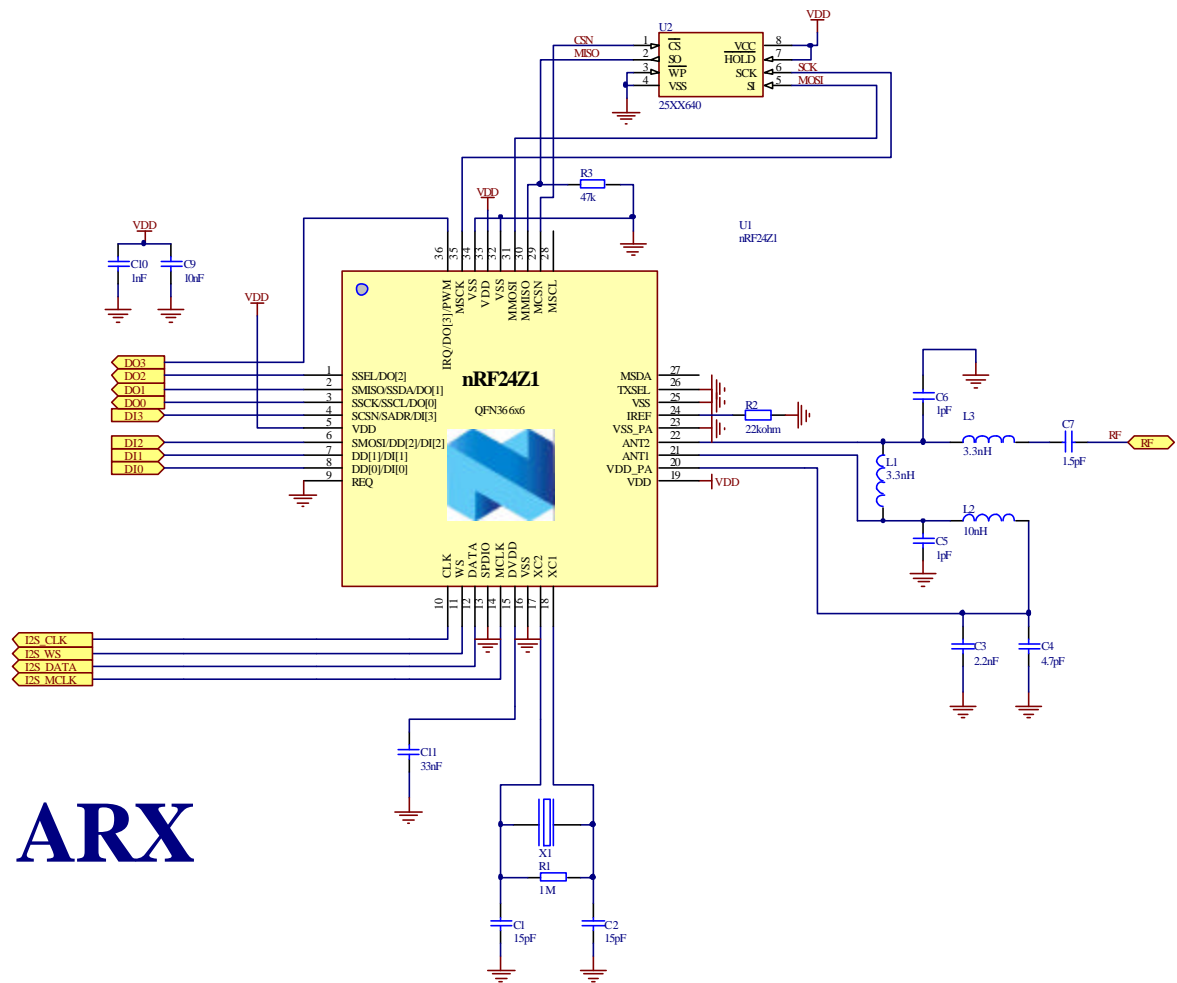


Figure 17-1 nRF24Z1 MCU controlled ATX schematic

Resistors R3 and R4 are not necessary for device functionality. R3 is added to guarantee that no nRF24Z1 registers are changed if external MCU is resetting. R4 is put in to terminate the nRF24Z1 SPI input to avoid any floating signals if the SPI bus is disabled (power down). Only one resistor on the bus is needed and if MCU MOSI output has internal pull up/down it can be omitted.



nRF24Z1 wireless audio streamer



**ARX**

Figure 17-2 nRF24Z1 ARX with SPI EEPROM schematic



17.2 nRF24Z1 layout

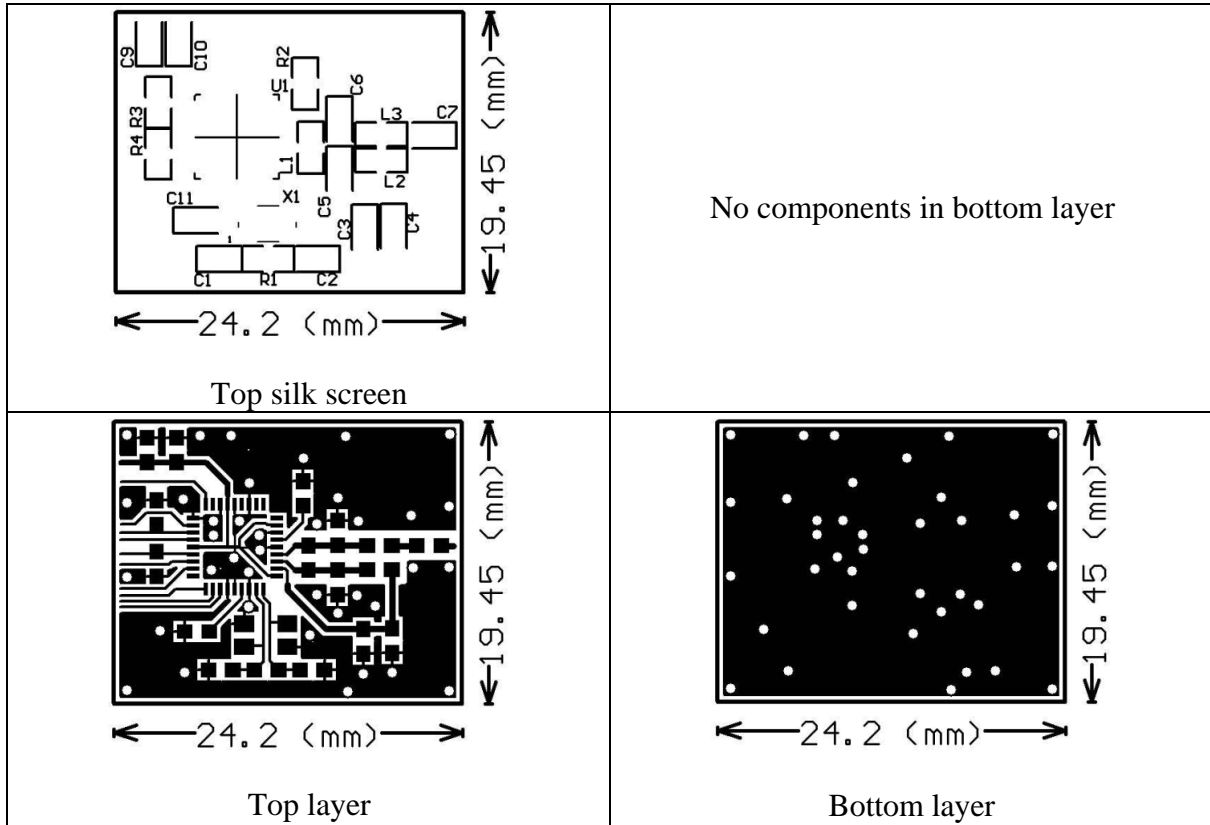


Figure 17-3 : nRF24Z1 ATX PCB layout

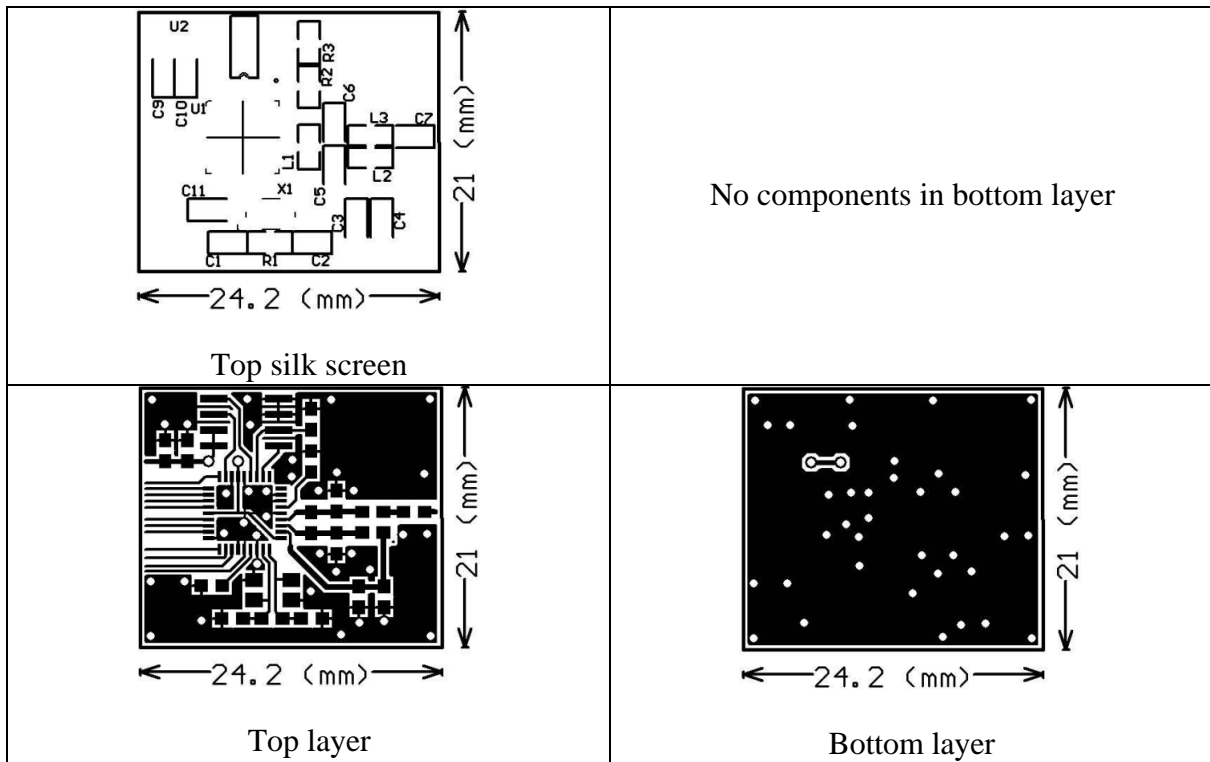


Figure 17-4 : nRF24Z1 ARX PCB layout



### 17.3 nRF24Z1 Bill of Material

#### ATX:

Designator	Value	Description	Footprint
C1	15pF	Capacitor NP0 +/- 5%	CC1608-0603
C2	15pF	Capacitor NP0 +/- 5%	CC1608-0603
C3	2.2nF	Capacitor X7R, +/- 10%	CC1608-0603
C4	4.7pF	Capacitor NP0 +/- 5%	CC1608-0603
C5	1pF	Capacitor NP0 +/- 0.1 pF	CC1608-0603
C6	1pF	Capacitor NP0 +/- 0.1 pF	CC1608-0603
C7	1.5pF	Capacitor NP0 +/- 0.25pF	CC1608-0603
C9	10nF	Capacitor X7R, +/- 10%	CC1608-0603
C10	1nF	Capacitor X7R, +/- 10%	CC1608-0603
C11	33nF	Capacitor X7R, +/- 10%	CC1608-0603
L1	3.3nH	TOKO LL1608-FS chip inductor series*	CR1608-0603
L2	10nH	Inductor Chip, +/- 5%	CR1608-0603
L3	3.3nH	TOKO LL1608-FS chip inductor series*	CR1608-0603
R1	1M	Resistor 5%	CR1608-0603
R2	22kohm	Resistor 1 %	CR1608-0603
R3	47kohm	Resistor 5%	CR1608-0603
R4	47kohm	Resistor 5%	CR1608-0603
U1	nRF24Z1	2.4 GHz audio streamer	QFN36L/6x6
X1	16 MHz	Crystal Cl=9pF, ESR < 100 ohm, stab.+ drift = +/-30ppm,	BT-XTAL

Table 17-1 nRF24Z1 ATX BOM

\* Inductance vs. frequency may differ significantly in inductors with the same value but different part numbers and/or vendors!

Inductor value is usually characterized at 100-250 MHz. But actual value at 2.4 GHz may vary significantly even though the given inductance at 250 MHz is the same.

Inductors from other TOKO series and other vendors may well be used, but antenna match performance MUST be verified as inductor value may need to be changed.

**ARX:**

Designator	Value	Description	Footprint
C1	15pF	Capacitor NPO +/-5%	CC1608-0603
C2	15pF	Capacitor NPO +/-5%	CC1608-0603
C3	2.2nF	Capacitor X7R +/-10%	CC1608-0603
C4	4.7pF	Capacitor NPO +/-5%	CC1608-0603
C5	1pF	Capacitor NPO +/-0.1 pF	CC1608-0603
C6	1pF	Capacitor NPO +/-0.1 pF	CC1608-0603
C7	1.5pF	Capacitor NPO +/-0.25 pF	CC1608-0603
C9	10nF	Capacitor X7R +/-10%	CC1608-0603
C10	1nF	Capacitor X7R +/-10%	CC1608-0603
C11	33nF	Capacitor X7R +/-10%	CC1608-0603
L1	3.3nH	TOKO LL1608-FS chip inductor series*	CR1608-0603
L2	10nH	Chip Inductor, +/-5%	CR1608-0603
L3	3.3nH	TOKO LL1608-FS chip inductor series*	CR1608-0603
R1	1M	Resistor 5%	CR1608-0603
R2	22kohm	Resistor 1%	CR1608-0603
R3	47k	Resistor 5%	CR1608-0603
U1	nRF24Z1	2.4 GHz audio streamer	QFN36L/6x6
U2	25XX640	EEPROM	SO-G8
X1	16 MHz	Crystal Cl=9pF, ESR < 100 ohm, stab.+ drift = +/-30ppm,	BT-XTAL

Table 17-2 nRF24Z1 ARX BOM

\* Inductance vs. frequency may differ significantly in inductors with the same value but different part numbers and/or vendors!

Inductor value is usually characterized at 100-250 MHz. But actual value at 2.4 GHz may vary significantly even though the given inductance at 250 MHz is the same.

Inductors from other TOKO series and other vendors may well be used, but antenna match performance MUST be verified as inductor value may need to be changed.





## 18 REFERENCES

For latest version of documents, please visit <http://www.nordicsemi.no>



## 19 DEFINITIONS

<b>Data sheet status</b>	
Objective product specification	This datasheet contains target specifications for product development.
Preliminary product specification	This datasheet contains preliminary data; supplementary data may be published from Nordic Semiconductor ASA later.
Product specification	This datasheet contains final product specifications. Nordic Semiconductor ASA reserves the right to make changes at any time without notice in order to improve design and supply the best possible product.
<b>Limiting values</b>	
Stress above one or more of the limiting values may cause permanent damage to the device. These are stress ratings only and operation of the device at these or at any other conditions above those given in the Specifications sections of the specification is not implied. Exposure to limiting values for extended periods may affect device reliability.	
<b>Application information</b>	
Where application information is given, it is advisory and does not form part of the specification.	

Table 19-1. Definitions.

Nordic Semiconductor ASA reserves the right to make changes without further notice to the product to improve reliability, function or design. Nordic Semiconductor does not assume any liability arising out of the application or use of any product or circuits described herein.

## LIFE SUPPORT APPLICATIONS

These products are not designed for use in life support appliances, devices, or systems where malfunction of these products can reasonably be expected to result in personal injury. Nordic Semiconductor ASA customers using or selling these products for use in such applications do so at their own risk and agree to fully indemnify Nordic Semiconductor ASA for any damages resulting from such improper use or sale.

Preliminary product specification revision date: 2005-04-29

All rights reserved ®. Reproduction in whole or in part is prohibited without the prior written permission of the copyright holder.



## 20 YOUR NOTES



**Nordic Semiconductor ASA – World Wide Distributors**

**For Your nearest dealer, please see <http://www.nordicsemi.no>**



**Main Office:**

Vestre Rosten 81, N-7075 Tiller, Norway  
Phone: +47 72 89 89 00, Fax: +47 72 89 89 89

**E-mail: [nRF@nordicsemi.no](mailto:nRF@nordicsemi.no)**

**Visit the Nordic Semiconductor ASA website at <http://www.nordicsemi.no>**

---

