

2-CHANNEL ELECTRONIC VOLUME WITH INPUT SELECTOR

■ GENERAL DESCRIPTION

NJW1154 is a two channel electronic volume with 6 in 1 out selector IC. It's suitable for Input signal trimmer of audio equipments such as DVD recorder and VCR. These functions are controlled by I²C Bus.

■ PACKAGE OUTLINE

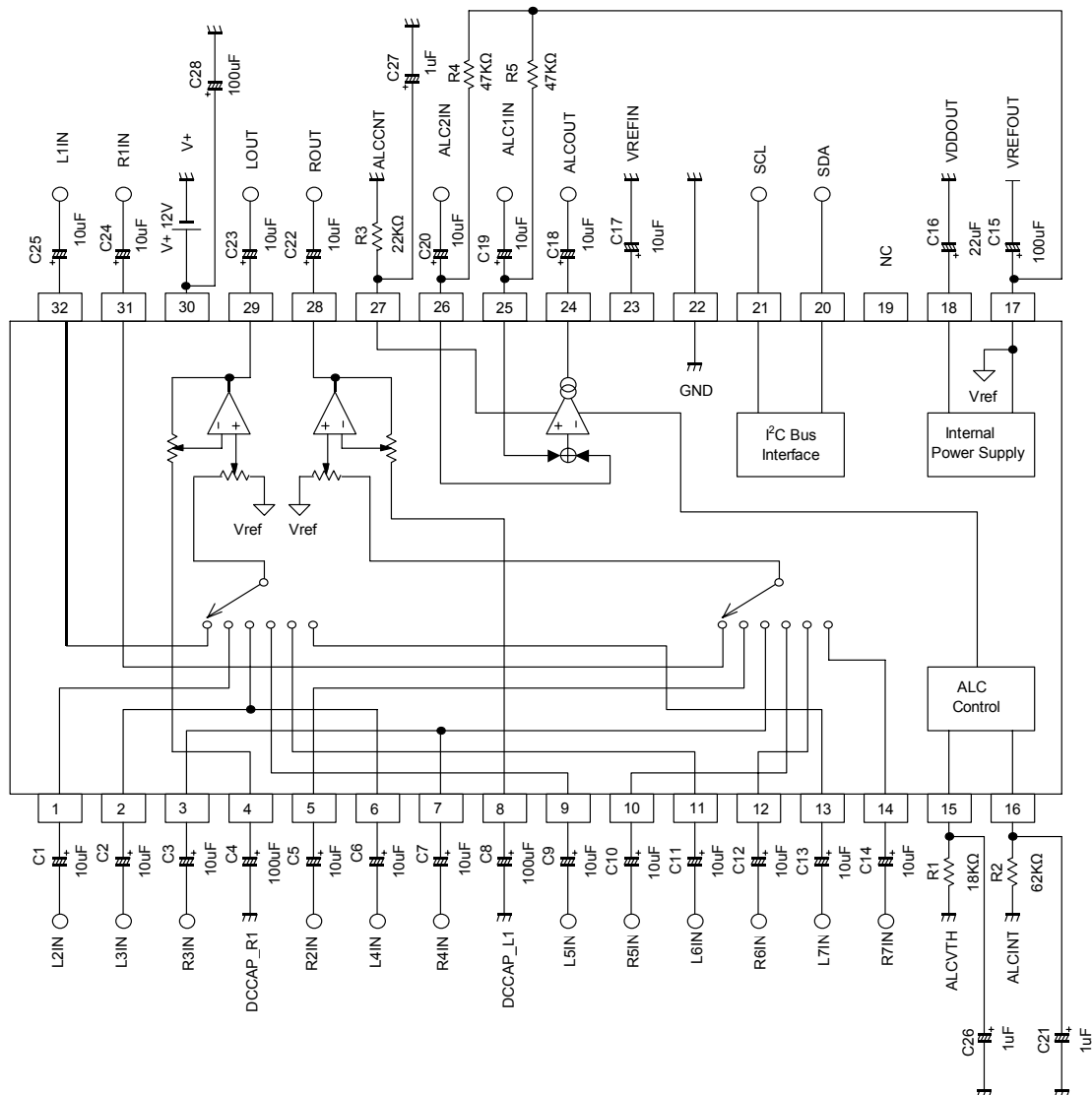


NJW1154V

■ FEATURES

- Operating Voltage 8 to 13V
- I²C Bus control
- 6in 1out Input Selector
- Volume +12 to -12dB/3dBstep, MUTE
- Bi-CMOS Technology
- Package Outline SSOP32

■ BLOCK DIAGRAM



■ ABSOLUTE MAXIMUM RATING (Ta=25°C)

PARAMETER	SYMBOL	RATING	UNIT
Power Supply Voltage	V+	15	V
Power Dissipation	P _D	800 NOTE: EIA/JEDEC STANDARD Test board (76.2x114.3x1.6mm, 2layer, FR-4) mounting	mW
Operating Temperature Range	Topr	-20 to +75	°C
Storage Temperature Range	Tstg	-40 to +125	°C

■ ELECTRICAL CHARACTERISTICS (Ta=25°C, V⁺=+12V, R_L=47kΩ)

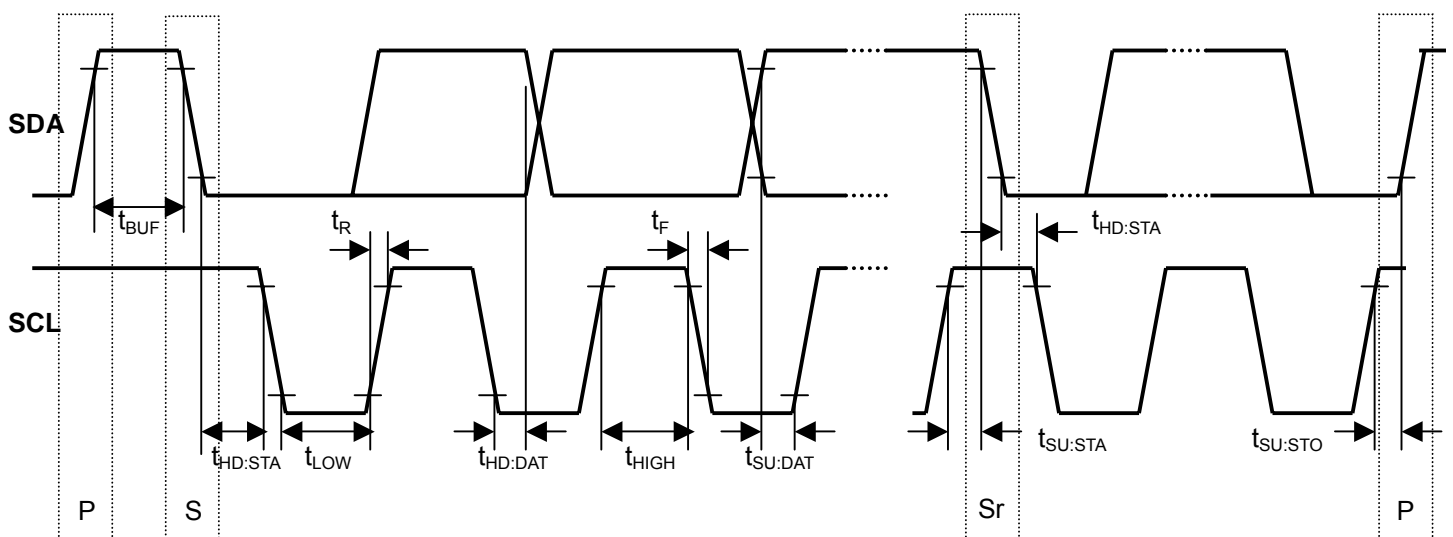
PARAMETER	SYMBOL	TEST CONDITION	MIN.	TYP.	MAX.	UNIT
◆ Power Supply						
Operating Voltage	V+		8	12	13	V
Reference Voltage	V _{ref}		5.5	6	6.5	V
Supply Current	I _{CC}	No signal	-	7	9	mA
◆ Input/Output Characteristics (Output)						
Maximum Output Voltage	V _{OM}	f=1KHz, THD=1% Volume=0dB	3.2	3.7	-	Vrms
Voltage Gain 1	G _{V1}	V _{IN} =1Vrms, f=1kHz Volume=0dB	-0.5	0	0.5	dB
Voltage Gain 2	G _{V2}	V _{IN} =0.25Vrms, f=1kHz Volume=+12dB	+11	+12	+13	dB
Voltage Gain 3	G _{V3}	V _{IN} =2.5Vrms, f=1kHz Volume=-12dB	-13	-12	-11	dB
Voltage Gain Error 1	ΔG _{V1}	V _{IN} =0.25Vrms, f=1kHz Volume=+12dB, Ach - Bch	-0.5	0	0.5	dB
Voltage Gain Error 2	ΔG _{V2}	V _{IN} =2.5Vrms, f=1kHz Volume=-12dB, Ach - Bch	-0.5	0	0.5	dB
Maximum Attenuation	A _{TT}	f=1KHz, V _{IN} =1Vrms Volume=Mute, A-weighted	-	-110	-	dB
Output Noise	V _{NO}	Volume=0dB, R _g =0, A-weighted	-	-114 (2μ)	-100 (10μ)	dBV (Vrms)
Total Harmonic Distortion	T.H.D	f=1KHz, V _o =1Vrms, Volume=0dB, BW:400 – 30kHz	-	0.001	0.05	%
Cross Talk	CT	Selected Input : No signal R _g =0Ω Unselected Input : Input signal A-weighted	-	-100	-	dB
Channel Separation	CS	f=1KHz, V _o =1Vrms, A-weighted Volume=0dB	-	-100	-90	dB
◆ ALC						
Flat Level	ALC _{FLT}	V _{in} = 300mVrms	-	0	-	dB
ALC Cut Level	ALC _{CUT}	V _{in} = 2Vrms	-	-12	-	dB

■ I²C BUS BLOCK CHARACTERISTICS (SDA,SCL)

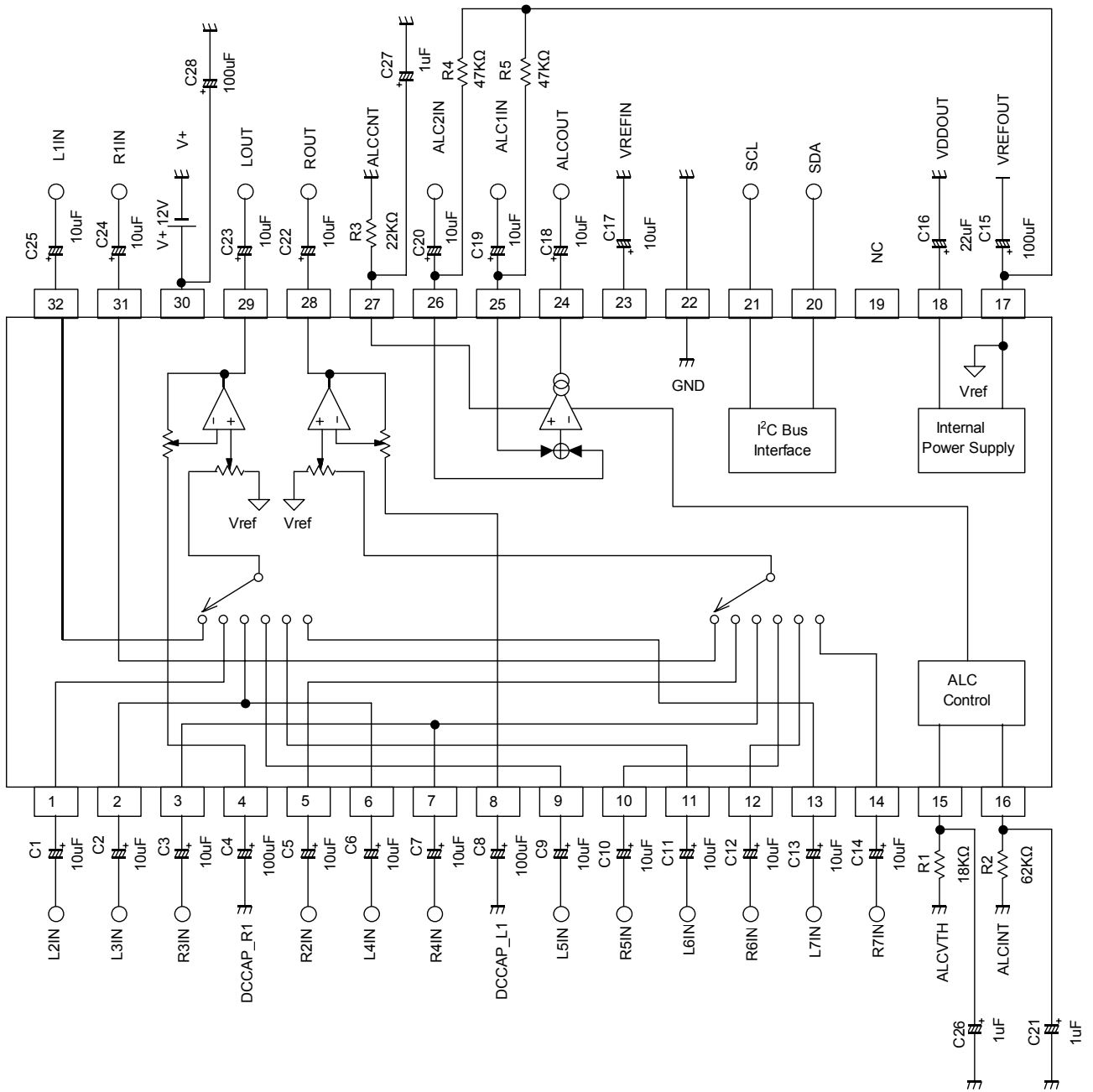
I²C BUS Load Conditions: Pull up resistance 4kΩ (Connected to +5V), Load capacitance 200pF (Connected to GND)

PARAMETER	SYMBOL	MIN.	TYP.	MAX.	UNIT
Low Level Input Voltage	V _{IL}	0.0	-	1.5	V
High Level Input Voltage	V _{IH}	3.0	-	5.0	V
Hysteresis of Schmitt trigger inputs	V _{hys}	0.25	-	-	V
LOW level output voltage (3mA at SDA pin)	V _{OL}	0	-	0.4	V
Output fall time from V _{IHmin} to V _{ILmax} with a bus capacitance from 10pF to 400pF	t _{of}	20+0.1C _b	-	250	ns
Pulse width of spikes which must be suppressed by the input filter	t _{SP}	0	-	50	ns
Input current each I/O pin with an input voltage between 0.1V _{DD} and 0.9V _{DDmax}	I _i	-10	-	10	μA
Capacitance for each I/O pin	C _i	-	-	10	pF
SCL clock frequency	f _{SCL}	-	-	400	kHz
Hold time (repeated) START condition.	t _{HD:STA}	0.6	-	-	μs
LOW period of the SCL clock	t _{LOW}	1.3	-	-	μs
HIGH period of the SCL clock	t _{HIGH}	0.6	-	-	μs
Set-up time for a repeated START condition	t _{SU:STA}	0.6	-	-	μs
Data hold time	t _{HD:DAT}	0	-	0.9	μs
Data set-up time	t _{SU:DAT}	100	-	-	ns
Rise time of both SDA and SCL signals	t _r	-	-	300	ns
Fall time of both SDA and SCL signals	t _f	-	-	300	ns
Set-up time for STOP condition	t _{SU:STO}	0.6	-	-	μs
Bus free time between a STOP and START condition	t _{BUF}	1.3	-	-	μs
Capacitive load for each bus line	C _b	-	-	400	pF
Noise margin at the LOW level	V _{nL}	0.5	-	-	V
Noise margin at the HIGH level	V _{nH}	1	-	-	V

C_b ; total capacitance of one bus line in pF.



APPLICATION CIRCUIT



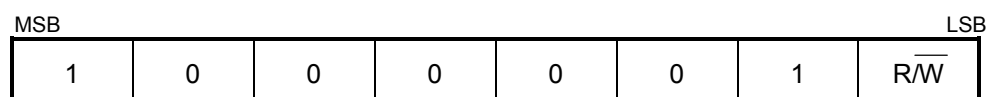
■ DEFINITION OF I²C REGISTER

◆ I²C BUS FORMAT



S: Starting Term
A: Acknowledge Bit
P: Ending Term

◆ SLAVE ADDRESS



R/W=0: Receive Only
R/W=1: No Output Data

◆ CONTROL REGISTER TABLE

The select address sets each function (Volume, Selector).
The auto increment function cycles the select address as follows.
00H→01H→02H→00H

Select Address	BIT							
	D7	D6	D5	D4	D3	D2	D1	D0
00H	Don't Care				VOLa			
01H	Don't Care				VOLb			
02H	Don't Care					Selector		

◆ CONTROL REGISTER DEFAULT VALUE

Control register default values are as follows :

Select Address	BIT							
	D7	D6	D5	D4	D3	D2	D1	D0
00H	1	1	1	1	1	1	1	1
01H	1	1	1	1	1	1	1	1
02H	0	0	0	0	0	0	0	0

■ CONTROL COMMAND TABLE

a) Master Volume

Select Address	BIT							
	D7	D6	D5	D4	D3	D2	D1	D0
00H	Don't Care				VOLa			
01H	Don't Care				VOLb			

•VOLa / VOLb : Ach and Bch volume level setting from +12dB to -12dB with 3dB step.

Gain (dB)	VOLa / VOLb			
	D3	D2	D1	D0
+12	0	0	0	0
+9	0	0	0	1
+6	0	0	1	0
+3	0	0	1	1
0	0	1	0	0
-3	0	1	0	1
-6	0	1	1	0
-9	0	1	1	1
-12	1	0	0	0
Mute	1	1	1	1

b) Input Selector

Select Address	BIT							
	D7	D6	D5	D4	D3	D2	D1	D0
02H	Don't Care					Selector		

•Selector : Input signal selecting

Input	Selector		
	D2	D1	D0
L1IN / R1IN	0	0	0
L2IN / R2IN	0	0	1
L3IN, L4IN / R3IN, R4IN	0	1	0
L5IN / R5IN	0	1	1
L6IN / R6IN	1	0	0
L7IN / R7IN	1	0	1

[CAUTION]
The specifications on this databook are only given for information, without any guarantee as regards either mistakes or omissions. The application circuits in this databook are described only to show representative usages of the product and not intended for the guarantee or permission of any right including the industrial rights.