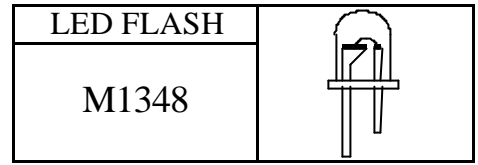




SYNC  
RGB LED IC

同步  
三色燈 LED IC



FEATURES 功能敘述

- Totally 15 operation mode.
- Built-in oscillator.
- SP : 2 speed select pin.
- Available in 8-pin , 16 pin SOP package.
- Power-on while automatic synchronous an LEDS of the same color.
- Can be cascaded in daisy chain fashion in wave of the different color.
- OPT : N-channel open drain output. / P-channel open drain output select pin.

P/N	FUNCTION
M1348A	11 種起始位址 七彩漸明漸暗+紅色系漸明漸暗
M1348B	6 種起始位址 同步同色順序跳閃+同步同色跳閃+6 色漸明漸暗
M1348C	6 種起始位址 6 色漸明漸暗(飄)+6 色同步漸明漸暗
M1348D	6 種起始位址 同步 6 色跳閃+同步同色跳閃+6 色漸明漸暗
M1348E	7 種起始位址 七彩漸明漸暗(快速)
M1348F	1 種起始位址 RGB 跳閃+RG、GB、BR 跳閃+七彩漸明漸暗

APPLICATION 產品應用

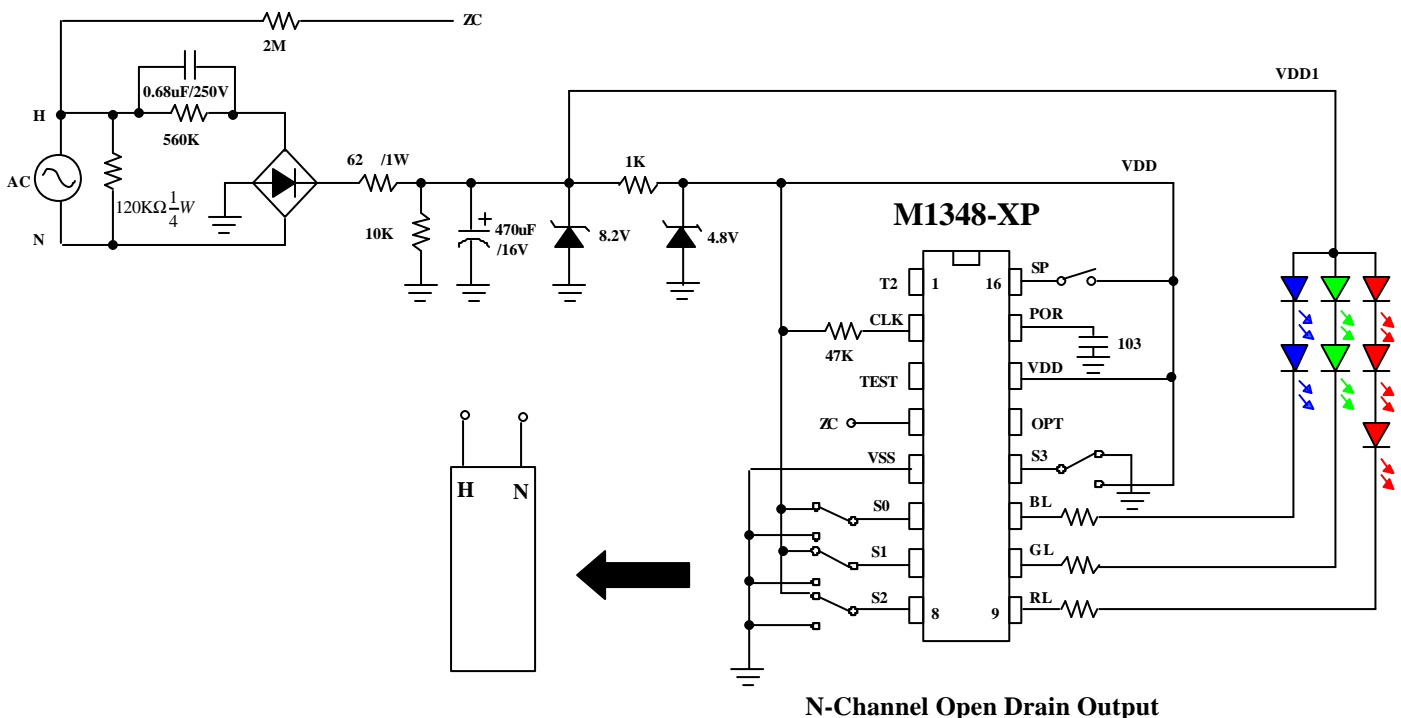
LED color mixer lamp etc..

ELECTRICAL CHARACTERISTICS 電氣規格

( @  $V_{DD}=4.5V$  unless otherwise specified )

Characteristics	Sym.	Min.	Typ.	Max.	Unit	REMARKS
工作電壓 Operating Voltage	$V_{DD}$		4.5	5.5	V	
工作電流 Operating Current	$I_{OP}$		0.5		mA	No load
推動電流 Driving Sink Current	$I_{OL}$	20			mA	@ $V_{DS} = 1.2 V$
推動電流 Driving Source Current	$I_{Oh}$	5			mA	@ $V_{SD} = 1.2 V$
振盪頻率 Oscillator Frequency	$F_{LED}$		450		KHz	$\pm 30\%$ TOL.
工作溫度 Operating Temperature	Temp.	0	25	60		

APPLICATION DIAGRAM 參考電路圖

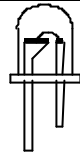


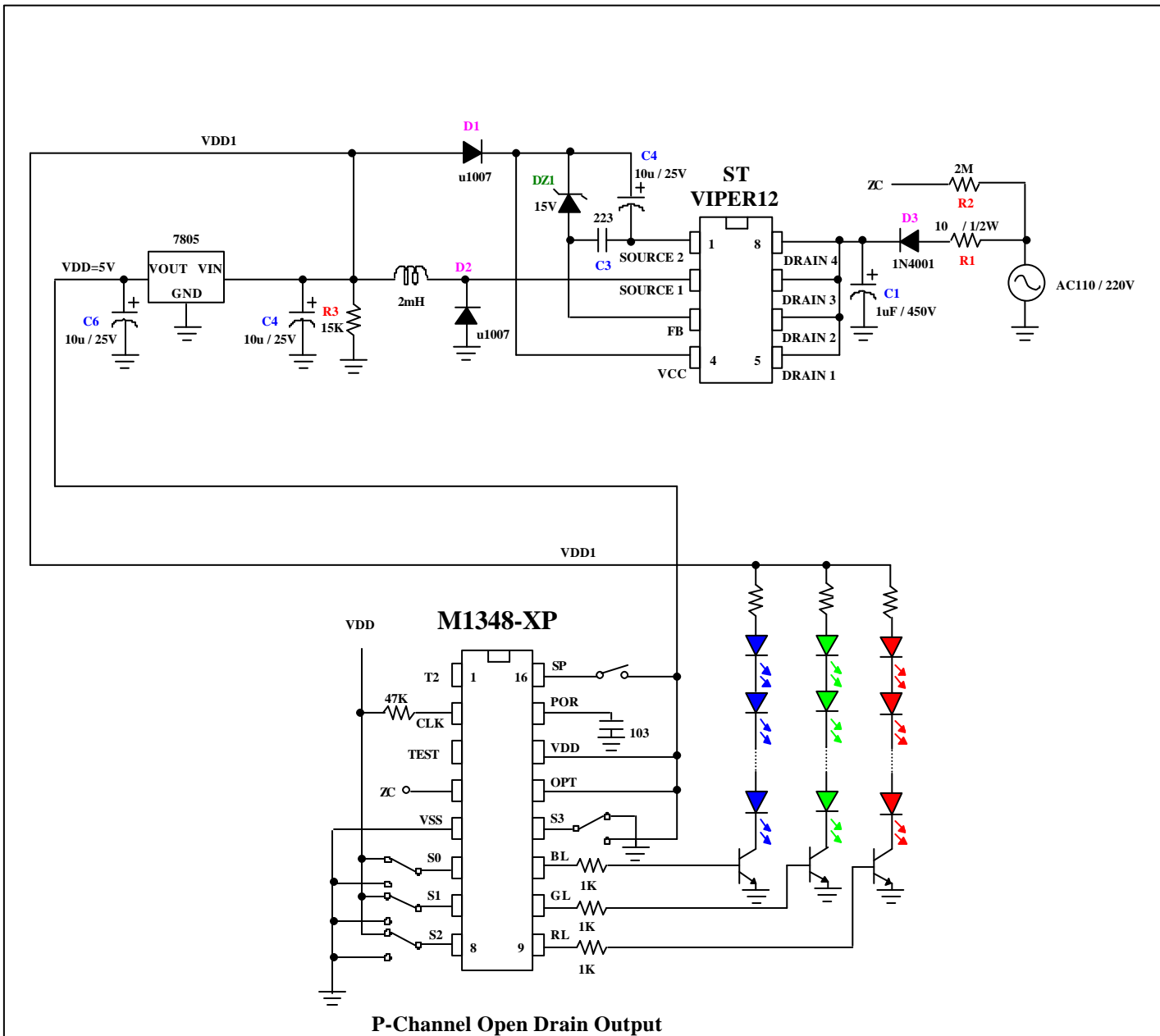
N-Channel Open Drain Output



SYNC  
RGB LED IC

同步  
三色燈 LED IC

LED FLASH	
M1348	



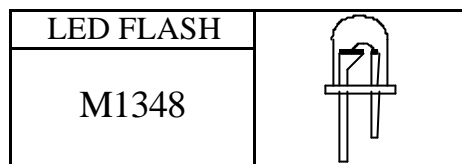
P-Channel Open Drain Output

\*All specs and applications shown above subject to change without prior notice.  
( 以上電路及規格僅供參考,本公司得逕行修正 )



SYNC  
RGB LED IC

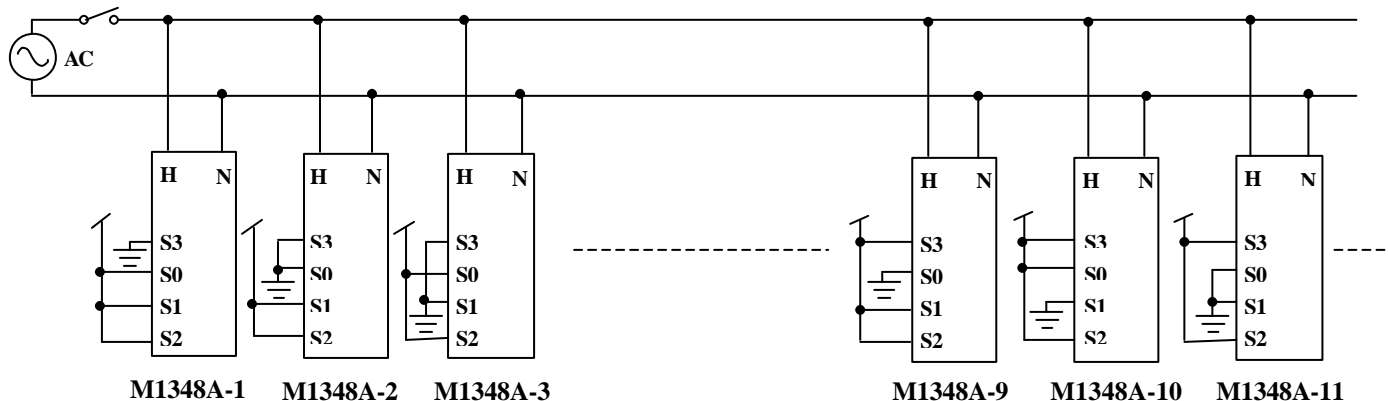
同步  
三色燈 LED IC



\* M1348A : 七彩漸明漸暗+紅色系漸明漸暗

P/N	MODE	S0	S1	S2	S3	COLOR	
M1348A-1	1	VDD	VDD	VDD	VSS	Red	紅
M1348A-2	2	VSS	VDD	VDD	VSS	Orange	橙
M1348A-3	3	VDD	VSS	VDD	VSS	Yellow	黃
M1348A-4	4	VSS	VSS	VDD	VSS	Green	綠
M1348A-5	5	VDD	VDD	VSS	VSS	Blue	藍
M1348A-6	6	VSS	VDD	VSS	VSS	Indigo	靛
M1348A-7	7	VDD	VSS	VSS	VSS	Violet	紫
M1348A-8	8	VSS	VSS	VSS	VSS	White	白
M1348A-9	9	VSS	VDD	VDD	VDD	Pink	桃紅
M1348A-10	10	VDD	VSS	VDD	VDD	Red	紅
M1348A-11	11	VSS	VSS	VDD	VDD	Pink	桃紅

SP : = Open ( One Cycle about 300 Sec at AC 60Hz. )  
= VDD ( One Cycle about 150 Sec at AC 60Hz. )



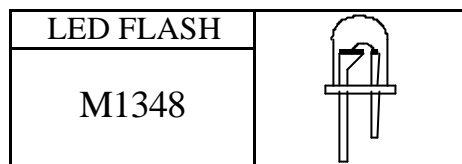
PATTERN :

1										
2										
3										
4										
5										
6										
7										
8										
9										
10										
11										



SYNC  
RGB LED IC

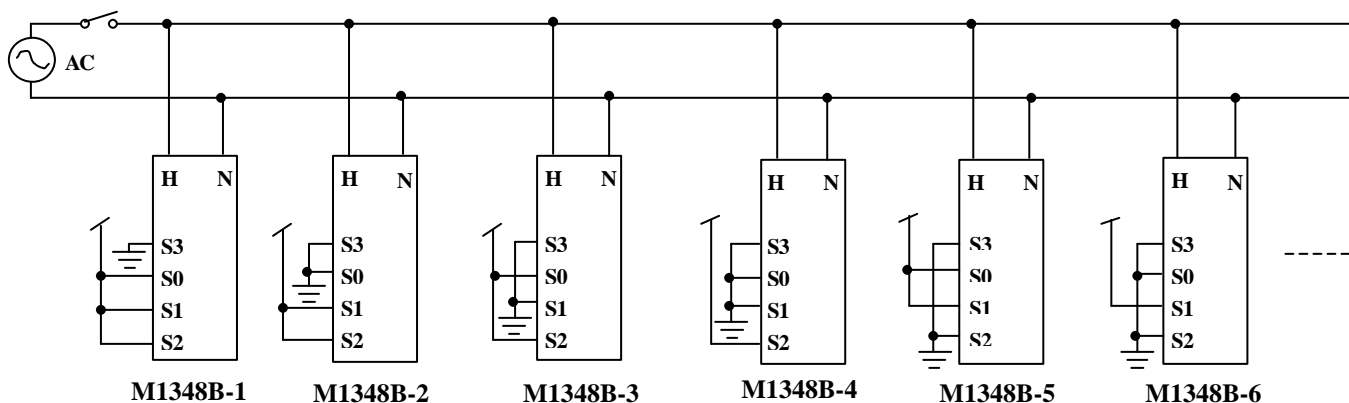
同步  
三色燈 LED IC



\* M1348B : 同步同色順序跳閃+同步同色跳閃+6 色漸明漸暗

P/N	MODE	S0	S1	S2	S3	COLOR	
M1348B-1	1	VDD	VDD	VDD	VSS	Red	紅
M1348B-2	2	VSS	VDD	VDD	VSS	Orange	橙
M1348B-3	3	VDD	VSS	VDD	VSS	Green	綠
M1348B-4	4	VSS	VSS	VDD	VSS	Blue	藍
M1348B-5	5	VDD	VDD	VSS	VSS	Indigo	靛
M1348B-6	6	VSS	VDD	VSS	VSS	Pink	桃紅

SP : = Open ( One Cycle about 74 Sec at AC 60Hz )  
= VDD ( One Cycle about 39 Sec at AC 60Hz )



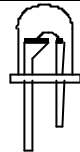
PATTERN :

1	●	●	●	●	●	●	●	●	●	●	●	●	●	●	●	●
2		●	●	●	●	●	●	●	●	●	●	●	●	●	●	●
3			●	●	●	●	●	●	●	●	●	●	●	●	●	●
4				●	●	●	●	●	●	●	●	●	●	●	●	●
5					●	●	●	●	●	●	●	●	●	●	●	●
6						●	●	●	●	●	●	●	●	●	●	●
	同步同色順序跳閃					同步同色跳閃					6 色漸明漸暗					



SYNC  
RGB LED IC

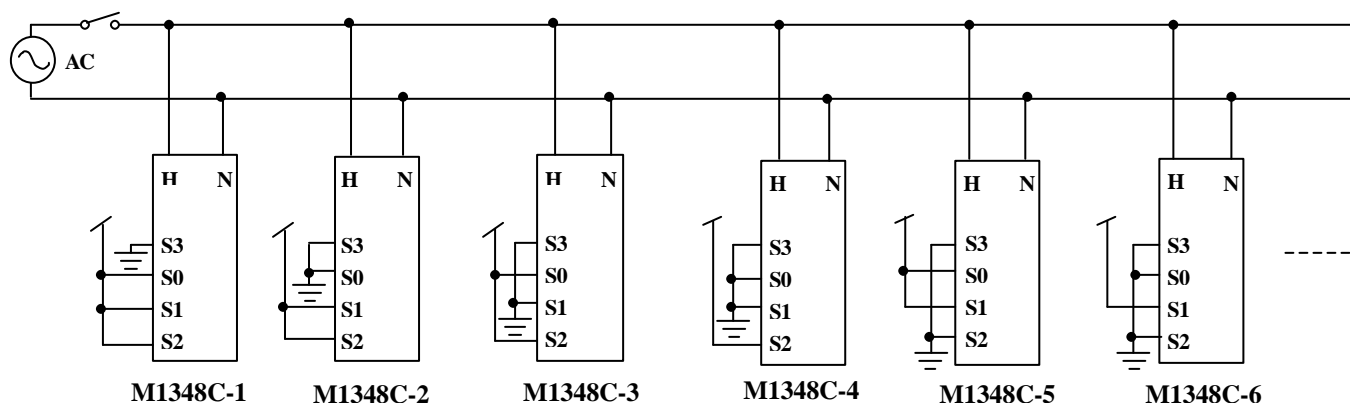
同步  
三色燈 LED IC

LED FLASH	
M1348	

\* M1348C : 6 色漸明漸暗(飄)+ 6 色同步漸明漸暗

P/N	MODE	S0	S1	S2	S3	COLOR	
M1348C-1	1	VDD	VDD	VDD	VSS	Indigo	靛
M1348C-2	2	VSS	VDD	VDD	VSS	Pink	桃紅
M1348C-3	3	VDD	VSS	VDD	VSS	Red	紅
M1348C-4	4	VSS	VSS	VDD	VSS	Yellow	黃
M1348C-5	5	VDD	VDD	VSS	VSS	Green	綠
M1348C-6	6	VSS	VDD	VSS	VSS	Blue	藍

SP : = Open ( One Cycle about 47 Sec at AC 60Hz. )  
= VDD ( One Cycle about 23 Sec at AC 60Hz. )



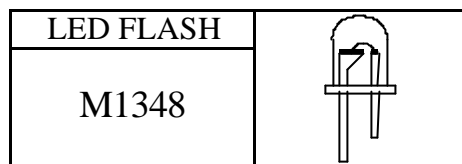
PATTERN :

1																			
2																			
3																			
4																			
5																			
6																			
	6 色漸明漸暗(飄)											6 色同步漸明漸暗							



SYNC  
RGB LED IC

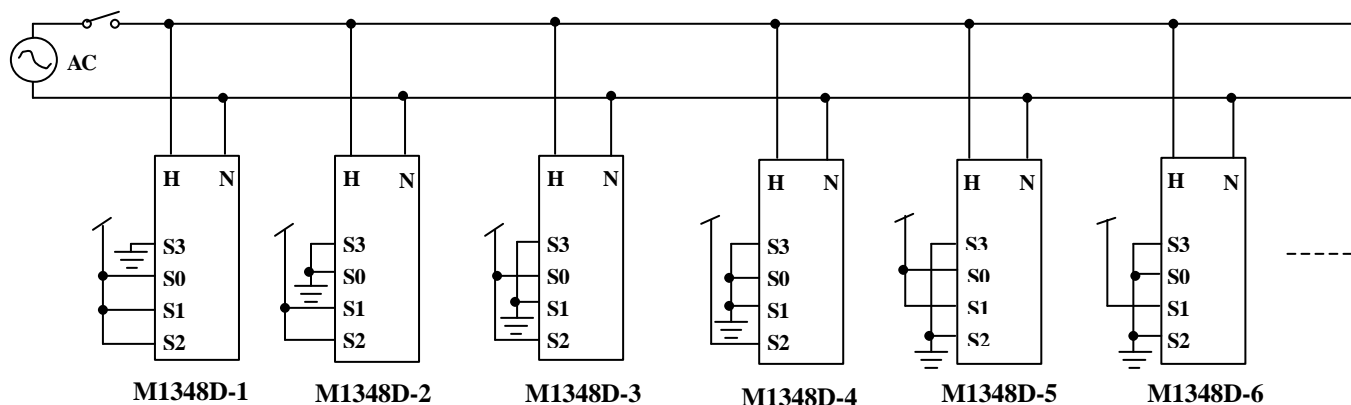
同步  
三色燈 LED IC



\* M1348D : 同步 6 色跳閃+同步同色跳閃+ 6 色漸明漸暗

P/N	MODE	S0	S1	S2	S3	COLOR	
M1348D-1	1	VDD	VDD	VDD	VSS	Red	紅
M1348D-2	2	VSS	VDD	VDD	VSS	Orange	橙
M1348D-3	3	VDD	VSS	VDD	VSS	Green	綠
M1348D-4	4	VSS	VSS	VDD	VSS	Blue	藍
M1348D-5	5	VDD	VDD	VSS	VSS	Indigo	靛
M1348D-6	6	VSS	VDD	VSS	VSS	Pink	桃紅

SP : = Open ( One Cycle about 74 Sec at AC 60Hz )  
= VDD ( One Cycle about 38 Sec at AC 60Hz )



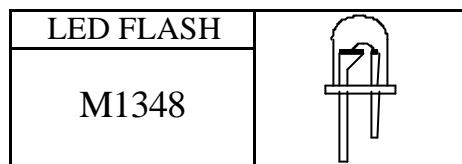
PATTERN :

1																
2																
3																
4																
5																
6																
	同步 6 色跳閃					同步同色跳閃					6 色漸明漸暗					



SYNC  
RGB LED IC

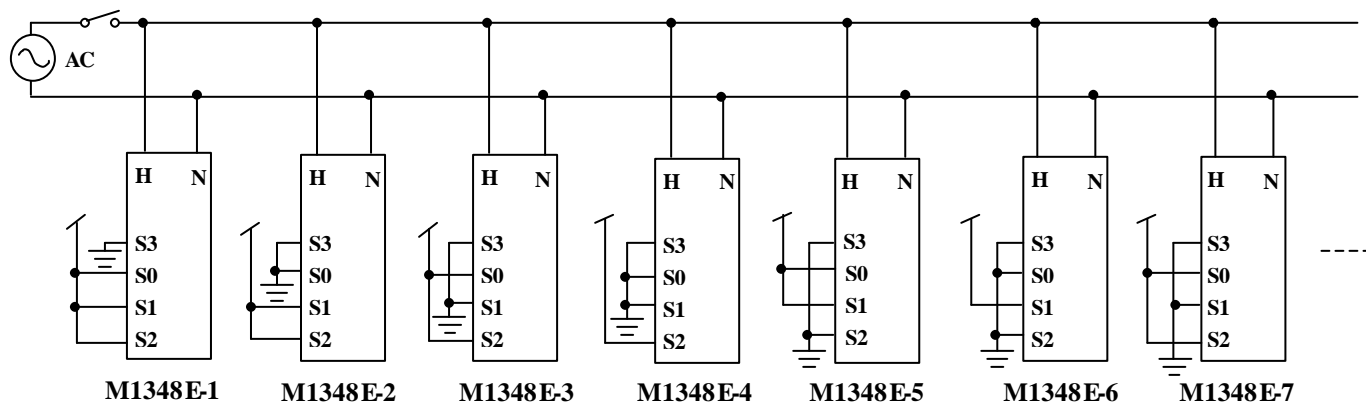
同步  
三色燈 LED IC



\* M1348E : 七彩漸明漸暗(快速)

P/N	MODE	S0	S1	S2	S3	COLOR	
M1348E-1	1	VDD	VDD	VDD	VSS	Red	紅
M1348E-2	2	VSS	VDD	VDD	VSS	Yellow	黃
M1348E-3	3	VDD	VSS	VDD	VSS	Green	綠
M1348E-4	4	VSS	VSS	VDD	VSS	Blue	藍
M1348E-5	5	VDD	VDD	VSS	VSS	Indigo	靛
M1348E-6	6	VSS	VDD	VSS	VSS	White	白
M1348E-7	7	VDD	VSS	VSS	VSS	Pink	桃紅

SP : = Open ( One Cycle about 35 Sec at AC 60Hz. )  
= VDD ( One Cycle about 17 Sec at AC 60Hz. )




PATTERN :

1								
2								
3								
4								
5								
6								
7								



SYNC  
RGB LED IC

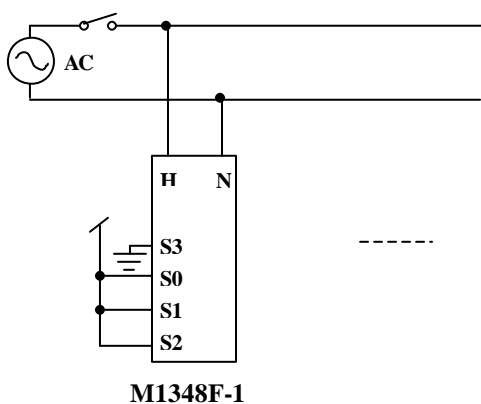
同步  
三色燈 LED IC

LED FLASH	
M1348	





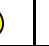
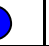




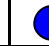


\* M1348F : RGB 跳閃 + RG、GB、BR 跳閃 + 七彩漸明漸暗

P/N	MODE	S0	S1	S2	S3	COLOR
M1348F-1	1	VDD	VDD	VDD	VSS	Red 紅

SP : = Open ( One Cycle about 128 Sec at AC 60Hz )  
= VDD ( One Cycle about 65 Sec at AC 60Hz )



PATTERN :

1													
	RGB 跳閃(3次)			RG、GB、BR 跳閃 3次			七彩漸明漸暗(3次)						





SYNC  
RGB LED IC

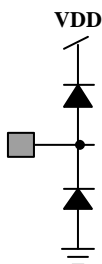
同步  
三色燈 LED IC

LED FLASH	
M1348	

**OSC PSRR :**

VDD ( V )	Fosc ( KHz )
2.0	319.5
2.5	383.2
3.0	400.0
3.5	411.3
4.0	418.0
4.5	422.0
5.0	420.4

**INPUTS PROTECTION :**



**OUTPUTS PROTECTION :**

