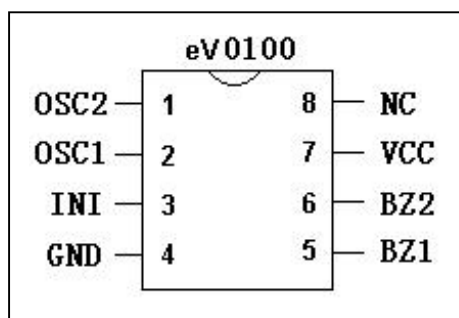


The eV0100 is a CMOS design for single tone alarm sound application.

FEATURES:

1. Auto Power down function.
2. Low Operating Voltage:2V-5V.
3. CMOS process.
4. On-chip RC oscillator.
5. Low stand-by current.
6. Compatible RT0100.
7. Have 8DIP , 8SN package.

PIN DIAGARM



PIN OUT AND DESCRIPTION

Symbol	Description	PIN	I/P,O/P
OSC2	Oscillator pin	1	I/P
OSC1	Oscillator pin	2	O/P
INI	An internal pull-up resistor. Might disabled BZ1,BZ2 when connected to GND.	3	I/P
GND	Ground	4	
BZ1	Audio output	5	O/P
BZ2	Audio output	6	O/P
VCC	Power	7	
NC	No connecting	8	

ELECTRONICAL CHARACTERISTICS

VCC=3V, Temp=25

Parameter	Symbol	Min.	Typ.	Max.	Unit
Operating Voltage	VCC	2.0	3.0	5.0	V
Stand-by Current	Isb		30	50	μ A
Operating Current	Iop		300	500	μ A
BZ1,BZ2	Ioh	1.0			mA
Driving current	Iol	1.0			mA
Operating Frequency	Fop		128		KHz

ABSOLUTE MAXIMUM RATINGS

Symbol	Parameter	Rating	Unit
VCC	Supply Voltage	-0.3 ~ 6	V
Vi	Input Voltage	-0.3 ~ VCC+0.3	V
Vo	Output Voltage	-0.3 ~ VCC+0.3	V
Tst	Storage Temperature	-40 ~ 125	
Ttp	Operating Temperature	0 ~ 65	

APPLICATION CIRCUIT

