

DATA SHEET

83C750/87C750

80C51 8-bit microcontroller family

1K/64 OTP ROM, low pin count

Product specification
Supersedes data of 1998 Jan 19
IC20 Data Handbook

1998 May 01

80C51 8-bit microcontroller family

1K/64 OTP/ROM, low pin count

83C750/87C750

DESCRIPTION

The Philips 8XC750 offers the advantages of the 80C51 architecture in a small package and at low cost.

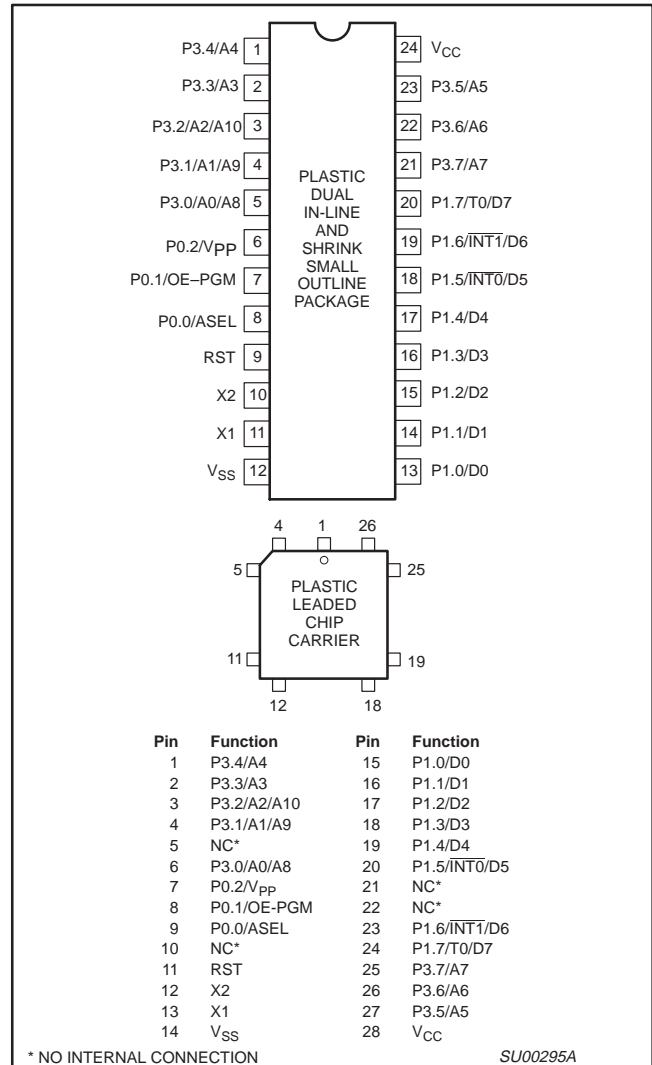
The 8XC750 Microcontroller is fabricated with Philips high-density CMOS technology. Philips epitaxial substrate minimizes CMOS latch-up sensitivity.

The 87C750 contains a $1k \times 8$ EPROM, a 64×8 RAM, 19 I/O lines, a 16-bit auto-reload counter/timer, a five-source, fixed-priority level interrupt structure and an on-chip oscillator.

FEATURES

- 80C51 based architecture
- Oscillator frequency range—up to 16MHz
- Small package sizes
 - 24-pin DIP (300 mil “skinny DIP”)
 - 24-pin Shrink Small Outline Package
 - 28-pin PLCC
- 87C750 available in one-time programmable plastic packages
- Low power consumption:
 - Normal operation: less than 11mA @ 5V, 12MHz
 - Idle mode
 - Power-down mode
- $1k \times 8$ EPROM (87C750)
- 64×8 RAM
- 16-bit auto reloadable counter/timer
- Boolean processor
- CMOS and TTL compatible
- Well suited for logic replacement, consumer and industrial applications
- LED drive outputs

PIN CONFIGURATIONS



ORDERING INFORMATION

ROM	EPROM ¹		TEMPERATURE RANGE °C AND PACKAGE	FREQUENCY	DRAWING NUMBER
P83C750EBP N	P87C750EBP N	OTP	0 to +70, Plastic Dual In-line Package	3.5 to 16MHz	SOT222-1
P83C750EFP N	P87C750EFP N	OTP	-40 to +85, Plastic Dual In-line Package	3.5 to 16MHz	SOT222-1
P83C750EBA A	P87C750EBA A	OTP	0 to +70, Plastic Lead Chip Carrier	3.5 to 16MHz	SOT261-3
P83C750EFA A	P87C750EFA A	OTP	-40 to +85, Plastic Lead Chip Carrier	3.5 to 16MHz	SOT261-3
P83C750EBD DB	P87C750EBD DB	OTP	0 to +70, Shrink Small Outline Package	3.5 to 16MHz	SOT340-1

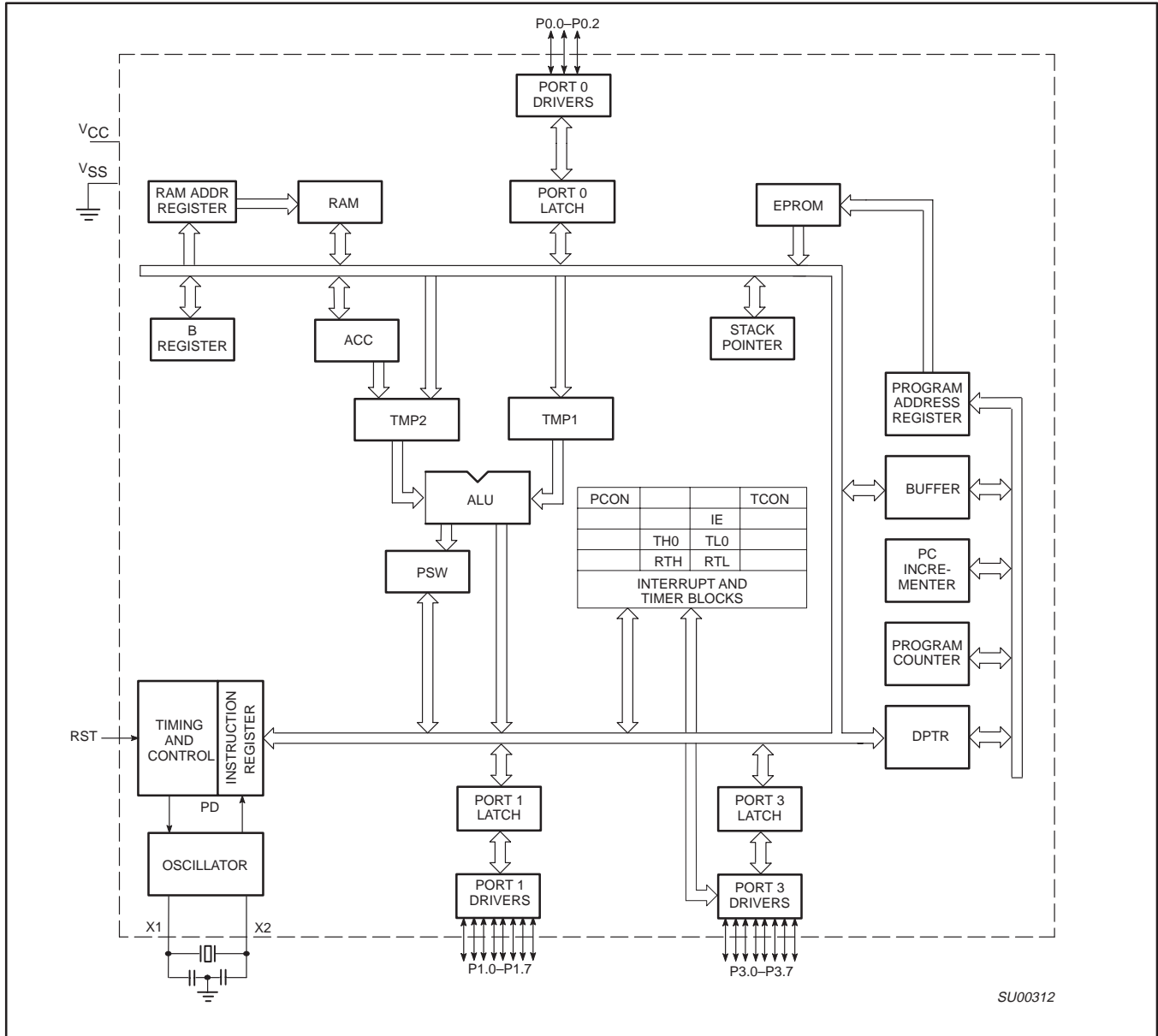
NOTE:

1. OTP = One Time Programmable EPROM.

80C51 8-bit microcontroller family
1K/64 OTP/ROM, low pin count

83C750/87C750

BLOCK DIAGRAM



80C51 8-bit microcontroller family

1K/64 OTP/ROM, low pin count

83C750/87C750

PIN DESCRIPTIONS

MNEMONIC	PIN NO.		TYPE	NAME AND FUNCTION
	DIP/SSOP	LCC		
V _{SS}	12	14	I	Circuit Ground Potential
V _{CC}	24	28	I	Supply voltage during normal, idle, and power-down operation.
P0.0-P0.2	8-6	9-7	I/O	<p>Port 0: Port 0 is a 3-bit open-drain, bidirectional port. Port 0 pins that have 1s written to them float, and in that state can be used as high-impedance inputs. These pins are driven low if the port register bit is written with a 0. The state of the pin can always be read from the port register by the program.</p> <p>P0.0, P0.1, and P0.2 are open drain bidirectional I/O pins with the electrical characteristics listed in the tables that follow. While these differ from "standard TTL" characteristics, they are close enough for the pins to still be used as general-purpose I/O. Port 0 also provides alternate functions for programming the EPROM memory as follows:</p>
	6	7	N/A	V_{PP} (P0.2) – Programming voltage input. (See Note 1.)
	7	8	I	OE/PGM (P0.1) – Input which specifies verify mode (output enable) or the program mode. OE/PGM = 1 output enabled (verify mode). OE/PGM = 0 program mode.
	8	9	I	ASEL (P0.0) – Input which indicates which bits of the EPROM address are applied to port 3. ASEL = 0 low address byte available on port 3. ASEL = 1 high address byte available on port 3 (only the three least significant bits are used).
P1.0-P1.7	13-20	15-20, 23, 24	I/O	<p>Port 1: Port 1 is an 8-bit bidirectional I/O port with internal pull-ups. Port 1 pins that have 1s written to them are pulled high by the internal pull-ups and can be used as inputs. As inputs, port 1 pins that are externally pulled low will source current because of the internal pull-ups. (See DC Electrical Characteristics: I_{IL}). Port 1 serves to output the addressed EPROM contents in the verify mode and accepts as inputs the value to program into the selected address during the program mode. Port 1 also serves the special function features of the 80C51 family as listed below:</p>
	18	20	I	INT0 (P1.5): External interrupt.
	19	23	I	INT1 (P1.6): External interrupt.
	20	24	I	T0 (P1.7): Timer 0 external input.
P3.0-P3.7	5-1, 23-21	6, 4-1, 27-25	I/O	<p>Port 3: Port 3 is an 8-bit bidirectional I/O port with internal pull-ups. Port 3 pins that have 1s written to them are pulled high by the internal pull-ups and can be used as inputs. As inputs, port 3 pins that are externally being pulled low will source current because of the pull-ups. (See DC Electrical Characteristics: I_{IL}). Port 3 also functions as the address input for the EPROM memory location to be programmed (or verified). The 10-bit address is multiplexed into this port as specified by P0.0/ASEL.</p>
RST	9	11	I	<p>Reset: A high on this pin for two machine cycles while the oscillator is running, resets the device. An internal diffused resistor to V_{SS} permits a power-on RESET using only an external capacitor to V_{CC}. After the device is reset, a 10-bit serial sequence, sent LSB first, applied to RESET, places the device in the programming state allowing programming address, data and V_{PP} to be applied for programming or verification purposes. The RESET serial sequence must be synchronized with the X1 input.</p>
X1	11	13	I	<p>Crystal 1: Input to the inverting oscillator amplifier and input to the internal clock generator circuits. X1 also serves as the clock to strobe in a serial bit stream into RESET to place the device in the programming state.</p>
X2	10	12	O	<p>Crystal 2: Output from the inverting oscillator amplifier.</p>

NOTE:

- When P0.2 is at or close to 0 Volt, it may affect the internal ROM operation. We recommend that P0.2 be tied to V_{CC} via a small pull-up (e.g., 2kΩ).

OSCILLATOR CHARACTERISTICS

X1 and X2 are the input and output, respectively, of an inverting amplifier which can be configured for use as an on-chip oscillator.

To drive the device from an external clock source, X1 should be driven while X2 is left unconnected. There are no requirements on the duty cycle of the external clock signal, because the input to the internal clock circuitry is through a divide-by-two flip-flop. However, minimum and maximum high and low times specified in the data sheet must be observed.

RESET

A reset is accomplished by holding the RST pin high for at least two machine cycles (24 oscillator periods), while the oscillator is running. To insure a good power-up reset, the RST pin must be high long

enough to allow the oscillator time to start up (normally a few milliseconds) plus two machine cycles. At power-up, the voltage on V_{CC} and RST must come up at the same time for a proper start-up.

IDLE MODE

In idle mode, the CPU puts itself to sleep while all of the on-chip peripherals stay active. The instruction to invoke the idle mode is the last instruction executed in the normal operating mode before the idle mode is activated. The CPU contents, the on-chip RAM, and all of the special function registers remain intact during this mode. The idle mode can be terminated either by any enabled interrupt (at which time the process is picked up at the interrupt service routine and continued), or by a hardware reset which starts the processor in the same manner as a power-on reset.

80C51 8-bit microcontroller family

1K/64 OTP/ROM, low pin count

83C750/87C750

POWER-DOWN MODE

In the power-down mode, the oscillator is stopped and the instruction to invoke power-down is the last instruction executed. Only the contents of the on-chip RAM are preserved. A hardware reset is the only way to terminate the power-down mode. The control bits for the reduced power modes are in the special function register PCON.

Table 1. External Pin Status During Idle and Power-Down Modes

MODE	Port 0	Port 1	Port 2
Idle	Data	Data	Data
Power-down	Data	Data	Data

DIFFERENCES BETWEEN THE 8XC750 AND THE 80C51

Program Memory

On the 8XC750, program memory is 1024 bytes long and is not externally expandable, so the 80C51 instructions MOVX, LJMP, and LCALL are not implemented. The only fixed locations in program memory are the addresses at which execution is taken up in response to reset and interrupts, which are as follows:

Program Memory

Event	Address
Reset	000
External INT0	003
Counter/timer 0	00B
External INT1	013

Counter/Timer Subsystem

Timer/Counter

The 8XC750 has one timers: a 16-bit timer/counter. The 16-bit timer/counter's operation is similar to mode 2 operation on the 80C51, but is extended to 16 bits. The timer/counter is clocked by either 1/12 the oscillator frequency or by transitions on the T0 pin. The C/T pin in special function register TCON selects between these two modes. When the TCON TR bit is set, the timer/counter is enabled. Register pair TH and TL are incremented by the clock source. When the register pair overflows, the register pair is reloaded with the values in registers RTH and RTL. The value in the reload registers is left unchanged. See the 83C750 counter/timer block diagram in Figure 1. The TF bit in special function register

TCON is set on counter overflow and, if the interrupt is enabled, will generate an interrupt.

TCON Register

MSB								LSB	
GATE	C/T	TF	TR	IE0	IT0	IE1	IT1		

- GATE 1 – Timer/counter is enabled only when INT0 pin is high, and TR is 1.
0 – Timer/counter is enabled when TR is 1.
- C/T 1 – Counter/timer operation from T0 pin.
0 – Timer operation from internal clock.
- TF 1 – Set on overflow of TH.
0 – Cleared when processor vectors to interrupt routine and by reset.
- TR 1 – Timer/counter enabled.
0 – Timer/counter disabled.
- IE0 1 – Edge detected in INT0.
IT0 1 – INT0 is edge triggered.
0 – INT0 is level sensitive.
- IE1 1 – Edge detected on INT1.
IT1 1 – INT1 is edge triggered.
0 – INT1 is level sensitive.

These flags are functionally identical to the corresponding 80C51 flags, except that there is only one timer on the 83C750 and the flags are therefore combined into one register.

Note that the positions of the IE0/IT0 and IE1/IT1 bits are transposed from the positions used in the standard 80C51 TCON register.

Interrupt Subsystem – Fixed Priority

The IP register and the 2-level interrupt system of the 80C51 are eliminated. Simultaneous interrupt conditions are resolved by a single-level, fixed priority as follows:

- Highest priority: Pin INT0
- Counter/timer flag 0
- Pin INT1

Special Function Register Addresses

Special function registers for the 8XC750 are identical to those of the 80C51, except for the changes listed below:

80C51 special function registers not present in the 8XC750 are TMOD (89), P2 (A0) and IP (B8). The 80C51 registers TH1 and TL1 are replaced with the 87C750 registers RTH and RTL respectively (refer to Table 2).

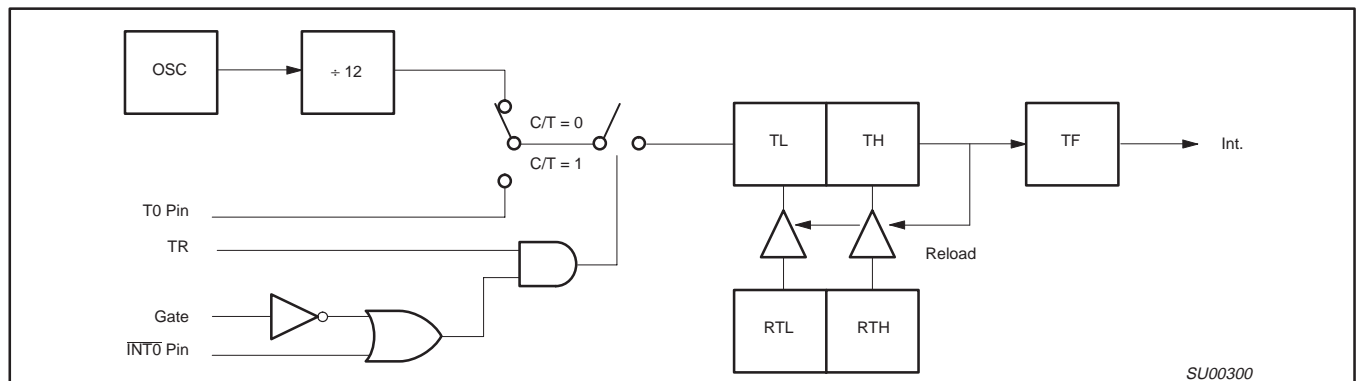


Figure 1. 83C750 Counter/Timer Block Diagram

80C51 8-bit microcontroller family
1K/64 OTP/ROM, low pin count

83C750/87C750

Table 2. 87C750 Special Function Registers

SYMBOL	DESCRIPTION	DIRECT ADDRESS	BIT ADDRESS, SYMBOL, OR ALTERNATIVE PORT FUNCTION								RESET VALUE
			MSB				LSB				
ACC*	Accumulator	E0H	E7	E6	E5	E4	E3	E2	E1	E0	00H
B*	B register	F0H	F7	F6	F5	F4	F3	F2	F1	F0	00H
DPTR:	Data pointer (2 bytes)										
DPH	High byte	83H									00H
DPL	Low byte	82H	AF	AE	AD	AC	AB	AA	A9	A8	00H
IE*#	Interrupt enable	A8H	EA	-	-	-	-	EX1	ET0	EX0	00H
								82	81	80	
P0*#	Port 0	80H	-	-	-	-	-	-	-	-	xxxxx111B
			97	96	95	94	93	92	91	90	
P1*	Port 1	90H	T0	INT1	INT0	-	-	-	-	-	FFH
P3*	Port 3	B0H	B7	B6	B5	B4	B3	B2	B1	B0	FFH
PCON#	Power control	87H	-	-	-	-	-	-	PD	IDL	xxxxxx00B
			D7	D6	D5	D4	D3	D2	D1	D0	
PSW*	Program status word	D0H	CY	AC	F0	RS1	RS0	OV	-	P	00H
SP	Stack pointer	81H									07H
			8F	8E	8D	8C	8B	8A	89	88	
TCON*#	Timer/counter control	88H	GATE	C/T	TF	TR	IE0	IT0	IE1	IT1	00H
TL#	Timer low byte	8AH									00H
TH#	Timer high byte	8CH									00H
RTL#	Timer low reload	8BH									00H
RTH#	Timer high reload	8DH									00H

* SFRs are bit addressable.

SFRs are modified from or added to the 80C51 SFRs.

ABSOLUTE MAXIMUM RATINGS^{1, 2}

PARAMETER	RATING	UNIT
Storage temperature range	-65 to +150	°C
Voltage from V _{CC} to V _{SS}	-0.5 to +6.5	V
Voltage from any pin to V _{SS} (except V _{PP})	-0.5 to V _{CC} + 0.5	V
Power dissipation	1.0	W
Voltage on V _{PP} pin to V _{SS}	0 to +13.0	V
Maximum I _{OL} per I/O pin	10	mA

NOTES:

- Stresses above those listed under Absolute Maximum Ratings may cause permanent damage to the device. This is a stress rating only and functional operation of the device at these or any conditions other than those described in the AC and DC Electrical Characteristics section of this specification is not implied.
- This product includes circuitry specifically designed for the protection of its internal devices from the damaging effects of excessive static charge. Nonetheless, it is suggested that conventional precautions be taken to avoid applying greater than the rated maxima.

80C51 8-bit microcontroller family

1K/64 OTP/ROM, low pin count

83C750/87C750

DC ELECTRICAL CHARACTERISTICS

 $T_{amb} = 0^{\circ}\text{C to } +70^{\circ}\text{C or } -40^{\circ}\text{C to } +85^{\circ}\text{C}, V_{CC} = 5\text{V} \pm 10\%, V_{SS} = 0\text{V}^1$

SYMBOL	PARAMETER	TEST CONDITIONS	LIMITS		UNIT
			MIN	MAX	
V_{IL}	Input low voltage		-0.5	$0.2V_{DD}-0.1$	V
V_{IH}	Input high voltage, except X1, RST		$0.2V_{CC}+0.9$	$V_{CC}+0.5$	V
V_{IH1}	Input high voltage, X1, RST		$0.7V_{CC}$	$V_{CC}+0.5$	V
V_{OL}	Output low voltage, ports 1 and 3	$I_{OL} = 1.6\text{mA}^2$		0.45	V
V_{OL1}	Output low voltage, port 0	$I_{OL} = 3.2\text{mA}^2$		0.45	V
V_{OH}	Output high voltage, ports 1 and 3	$I_{OH} = -60\mu\text{A}$	2.4		V
		$I_{OH} = -25\mu\text{A}$	$0.75V_{CC}$		V
		$I_{OH} = -10\mu\text{A}$	$0.9V_{CC}$		V
C	Capacitance			10	pF
I_{IL}	Logical 0 input current, ports 1 and 3	$V_{IN} = 0.45\text{V}$		-50	μA
I_{TL}	Logical 1 to 0 transition current, ports 1 and 3 ³	$V_{IN} = 2\text{V}$ (0 to $+70^{\circ}\text{C}$) $V_{IN} = 2\text{V}$ (-40 to $+85^{\circ}\text{C}$)		-650	μA
I_{LI}	Input leakage current, port 0	$0.45 < V_{IN} < V_{CC}$		-750	μA
				± 10	μA
R_{RST}	Internal pull-down resistor		25	175	k Ω
C_{IO}	Pin capacitance	Test freq = 1MHz, $T_{amb} = 25^{\circ}\text{C}$		10	pF
I_{PD}	Power-down current ⁴	$V_{CC} = 2$ to V_{CC} max		50	μA
V_{PP}	V_{PP} program voltage	$V_{SS} = 0\text{V}$ $V_{CC} = 5\text{V} \pm 10\%$ $T_{amb} = 21^{\circ}\text{C to } 27^{\circ}\text{C}$	12.5	13.0	V
I_{PP}	Program current	$V_{PP} = 13.0\text{V}$		50	mA
I_{CC}	Supply current (see Figure 3) ^{5, 6}				

NOTES:

- Parameters are valid over operating temperature range unless otherwise specified. All voltages are with respect to V_{SS} unless otherwise noted.
- Under steady state (non-transient) conditions, I_{OL} must be externally limited as follows:
 Maximum I_{OL} per port pin: 10mA (NOTE: This is 85°C spec.)
 Maximum I_{OL} per 8-bit port: 26mA
 Maximum total I_{OL} for all outputs: 67mA
 If I_{OL} exceeds the test condition, V_{OL} may exceed the related specification. Pins are not guaranteed to sink current greater than the listed test conditions.
- Pins of ports 1 and 3 source a transition current when they are being externally driven from 1 to 0. The transition current reaches its maximum value when V_{IN} is approximately 2V.
- Power-down I_{CC} is measured with all output pins disconnected; port 0 = V_{CC} ; X2, X1 n.c.; RST = V_{SS} .
- Active I_{CC} is measured with all output pins disconnected; X1 driven with t_{CLCH} , $t_{CHCL} = 5\text{ns}$, $V_{IL} = V_{SS} + 0.5\text{V}$, $V_{IH} = V_{CC} - 0.5\text{V}$; X2 n.c.; RST = port 0 = V_{CC} . I_{CC} will be slightly higher if a crystal oscillator is used.
- Idle I_{CC} is measured with all output pins disconnected; X1 driven with t_{CLCH} , $t_{CHCL} = 5\text{ns}$, $V_{IL} = V_{SS} + 0.5\text{V}$, $V_{IH} = V_{CC} - 0.5\text{V}$; X2 n.c.; port 0 = V_{CC} ; RST = V_{SS} .

AC ELECTRICAL CHARACTERISTICS

 $T_{amb} = 0^{\circ}\text{C to } +70^{\circ}\text{C or } -40^{\circ}\text{C to } +85^{\circ}\text{C}, V_{CC} = 5\text{V} \pm 10\%, V_{SS} = 0\text{V}^1, 2$

SYMBOL	PARAMETER	VARIABLE CLOCK				UNIT
		MIN	MAX	MIN	MAX	
$1/t_{CLCL}$	Oscillator frequency:	3.5	16	3.5	40	MHz
External Clock (Figure 2)						
t_{CHCX}	High time	20		10		ns
t_{CLCX}	Low time	20		10		ns
t_{CLCH}	Rise time		20		20	ns
t_{CHCL}	Fall time		20		20	ns

NOTES:

- Parameters are valid over operating temperature range unless otherwise specified. All voltages are with respect to V_{SS} unless otherwise noted.
- Load capacitance for ports = 80pF.

80C51 8-bit microcontroller family

1K/64 OTP/ROM, low pin count

83C750/87C750

EXPLANATION OF THE AC SYMBOLS

In defining the clock waveform, care must be taken not to exceed the MIN or MAX limits of the AC electrical characteristics table. Each timing symbol has five characters. The first character is always 't' (= time). The other characters, depending on their positions, indicate the name of a signal or the logical status of that signal. The designations are:
 C – Clock
 D – Input data

H – Logic level high
 L – Logic level low
 Q – Output data
 T – Time
 V – Valid
 X – No longer a valid logic level
 Z – Float

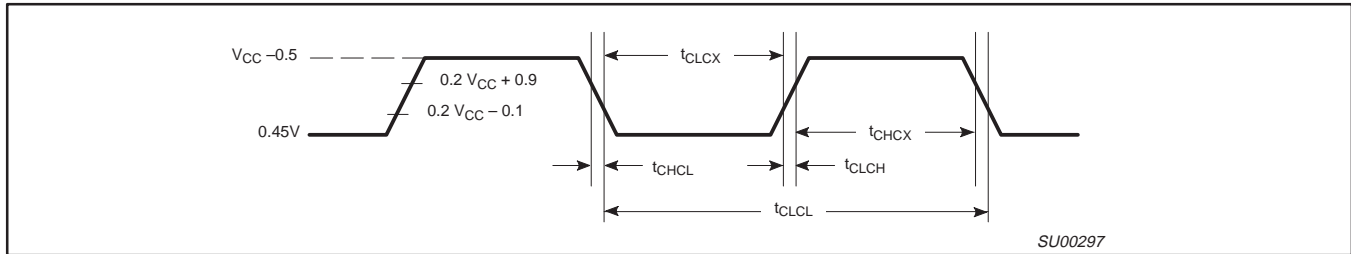


Figure 2. External Clock Drive

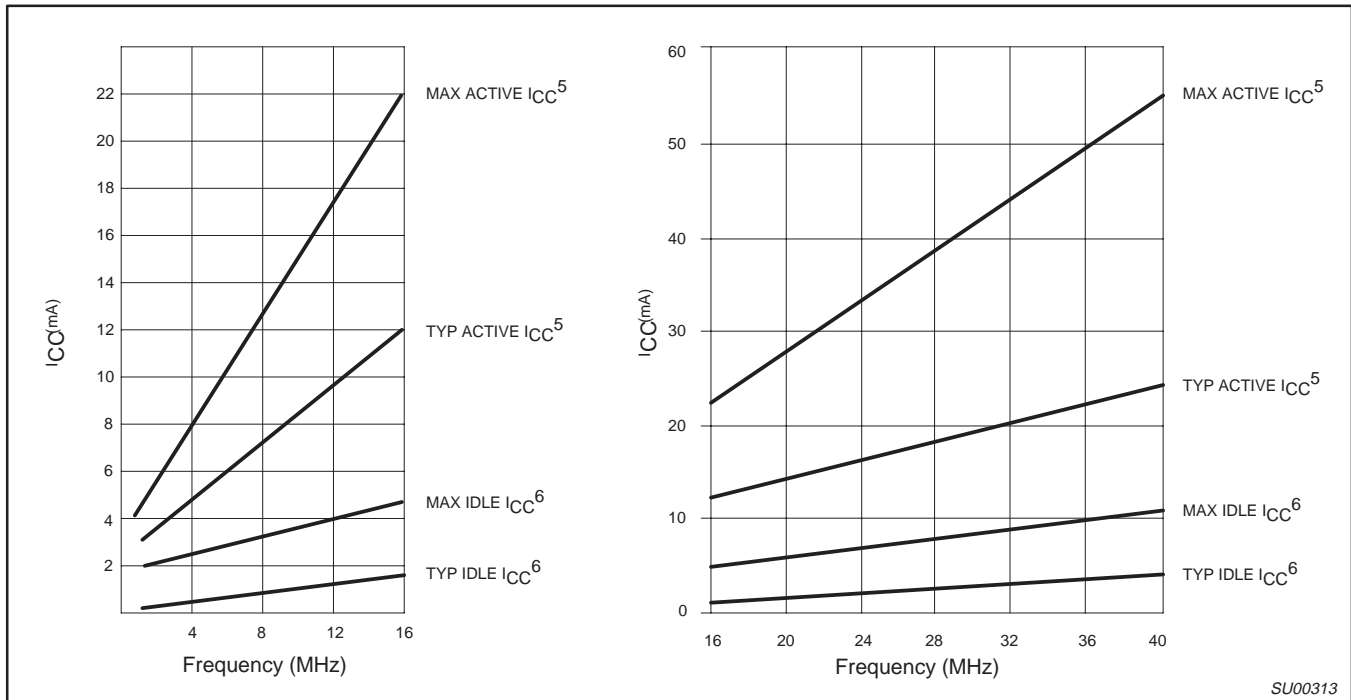


Figure 3. I_{CC} vs. Frequency

Maximum I_{CC} values taken at V_{CC} max and worst case temperature.
 Typical I_{CC} values taken at $V_{CC} = 5.0V$ and $25^{\circ}C$.
 Notes 5 and 6 refer to DC Electrical Characteristics.

ROM CODE SUBMISSION

When submitting ROM code for the 80C750, the following must be specified:

- 1k byte user ROM data

ADDRESS	CONTENT	BIT(S)	COMMENT
0000H to 03FFH	DATA	7:0	User ROM Data

80C51 8-bit microcontroller family

1K/64 OTP/ROM, low pin count

83C750/87C750

87C750 PROGRAMMING CONSIDERATIONS

EPROM Characteristics

The 87C750 is programmed by using a modified Quick-Pulse Programming algorithm similar to that used for devices such as the 87C451 and 87C51. It differs from these devices in that a serial data stream is used to place the 87C750 in the programming mode.

Figure 4 shows a block diagram of the programming configuration for the 87C750. Port pin P0.2 is used as the programming voltage supply input (V_{PP} signal). Port pin P0.1 is used as the program (PGM) signal. This pin is used for the 25 programming pulses.

Port 3 is used as the address input for the byte to be programmed and accepts both the high and low components of the eleven bit address. Multiplexing of these address components is performed using the ASEL input. The user should drive the ASEL input high and then drive port 3 with the high order bits of the address. ASEL should remain high for at least 13 clock cycles. ASEL may then be driven low which latches the high order bits of the address internally. The high address should remain on port 3 for at least two clock cycles after ASEL is driven low. Port 3 may then be driven with the low byte of the address. The low address will be internally stable 13 clock cycles later. The address will remain stable provided that the low byte placed on port 3 is held stable and ASEL is kept low. **Note:** ASEL needs to be pulsed high only to change the high byte of the address.

Port 1 is used as a bidirectional data bus during programming and verify operations. During programming mode, it accepts the byte to be programmed. During verify mode, it provides the contents of the EPROM location specified by the address which has been supplied to Port 3.

The XTAL1 pin is the oscillator input and receives the master system clock. This clock should be between 1.2 and 6MHz.

The RESET pin is used to accept the serial data stream that places the 87C750 into various programming modes. This pattern consists of a 10-bit code with the LSB sent first. Each bit is synchronized to the clock input, X1.

Programming Operation

Figures 5 and 6 show the timing diagrams for the program/verify cycle. RESET should initially be held high for at least two machine cycles. P0.1 (PGM) and P0.2 (V_{PP}) will be at V_{OH} as a result of the RESET operation. At this point, these pins function as normal quasi-bidirectional I/O ports and the programming equipment may pull these lines low. However, prior to sending the 10-bit code on the RESET pin, the programming equipment should drive these pins high (V_{IH}). The RESET pin may now be used as the serial data input for the data stream which places the 87C750 in the programming mode. Data bits are sampled during the clock high time and thus should only change during the time that the clock is low. Following transmission of the last data bit, the RESET pin should be held low.

Next the address information for the location to be programmed is placed on port 3 and ASEL is used to perform the address multiplexing, as previously described. At this time, port 1 functions as an output.

A high voltage V_{PP} level is then applied to the V_{PP} input (P0.2). (This sets Port 1 as an input port). The data to be programmed into the EPROM array is then placed on Port 1. This is followed by a series of programming pulses applied to the PGM/ pin (P0.1). These pulses are created by driving P0.1 low and then high. This pulse is

repeated until a total of 25 programming pulses have occurred. At the conclusion of the last pulse, the PGM/ signal should remain high.

The V_{PP} signal may now be driven to the V_{OH} level, placing the 87C750 in the verify mode. (Port 1 is now used as an output port). After four machine cycles (48 clock periods), the contents of the addressed location in the EPROM array will appear on Port 1.

The next programming cycle may now be initiated by placing the address information at the inputs of the multiplexed buffers, driving the V_{PP} pin to the V_{PP} voltage level, providing the byte to be programmed to Port1 and issuing the 26 programming pulses on the PGM/ pin, bringing V_{PP} back down to the V_C level and verifying the byte.

Programming Modes

The 87C750 has four programming features incorporated within its EPROM array. These include the USER EPROM for storage of the application's code, a 16-byte encryption key array and two security bits. Programming and verification of these four elements are selected by a combination of the serial data stream applied to the RESET pin and the voltage levels applied to port pins P0.1 and P0.2. The various combinations are shown in Table 3.

Encryption Key Table

The 87C750 includes a 16-byte EPROM array that is programmable by the end user. The contents of this array can then be used to encrypt the program memory contents during a program memory verify operation. When a program memory verify operation is performed, the contents of the program memory location is XNOR'ed with one of the bytes in the 16-byte encryption table. The resulting data pattern is then provided to port 1 as the verify data. The encryption mechanism can be disabled, in essence, by leaving the bytes in the encryption table in their erased state (FFH) since the XNOR product of a bit with a logical one will result in the original bit. The encryption bytes are mapped with the code memory in 16-byte groups. The first byte in code memory will be encrypted with the first byte in the encryption table; the second byte in code memory will be encrypted with the second byte in the encryption table and so forth up to and including the 16th byte. The encryption repeats in 16-byte groups; the 17th byte in the code memory will be encrypted with the first byte in the encryption table, and so forth.

Security Bits

Two security bits, security bit 1 and security bit 2, are provided to limit access to the USER EPROM and encryption key arrays. Security bit 1 is the program inhibit bit, and once programmed performs the following functions:

1. Additional programming of the USER EPROM is inhibited.
2. Additional programming of the encryption key is inhibited.
3. Verification of the encryption key is inhibited.
4. Verification of the USER EPROM and the security bit levels may still be performed.

(If the encryption key array is being used, this security bit should be programmed by the user to prevent unauthorized parties from reprogramming the encryption key to all logical zero bits. Such programming would provide data during a verify cycle that is the logical complement of the USER EPROM contents).

Security bit 2, the verify inhibit bit, prevents verification of both the USER EPROM array and the encryption key arrays. The security bit levels may still be verified.

80C51 8-bit microcontroller family

1K/64 OTP/ROM, low pin count

83C750/87C750

Programming and Verifying Security Bits

Security bits are programmed employing the same techniques used to program the USER EPROM and KEY arrays using serial data streams and logic levels on port pins indicated in Table 3. When programming either security bit, it is not necessary to provide address or data information to the 87C750 on ports 1 and 3.

Verification occurs in a similar manner using the RESET serial stream shown in Table 3. Port 3 is not required to be driven and the results of the verify operation will appear on ports 1.6 and 1.7.

Ports 1.7 contains the security bit 1 data and is a logical one if programmed and a logical zero if not programmed. Likewise, P1.6 contains the security bit 2 data and is a logical one if programmed and a logical zero if not programmed.

Table 3. Implementing Program/Verify Modes

OPERATION	SERIAL CODE	P0.1 (PGM/)	P0.2 (V _{PP})
Program user EPROM	296H	–1	V _{PP}
Verify user EPROM	296H	V _{IH}	V _{IH}
Program key EPROM	292H	–1	V _{PP}
Verify key EPROM	292H	V _{IH}	V _{IH}
Program security bit 1	29AH	–1	V _{PP}
Program security bit 2	298H	–1	V _{PP}
Verify security bits	29AH	V _{IH}	V _{IH}

NOTE:

1. Pulsed from V_{IH} to V_{IL} and returned to V_{IH}.

EPROM PROGRAMMING AND VERIFICATION

T_{amb} = 21°C to +27°C, V_{CC} = 5V ±10%, V_{SS} = 0V

SYMBOL	PARAMETER	MIN	MAX	UNIT
1/t _{CLCL}	Oscillator/clock frequency	1.2	6	MHz
t _{AVGL} ¹	Address setup to P0.1 (PROG–) low	10μs + 24t _{CLCL}		
t _{GHAX}	Address hold after P0.1 (PROG–) high	48t _{CLCL}		
t _{DVGL}	Data setup to P0.1 (PROG–) low	38t _{CLCL}		
t _{DVGL}	Data setup to P0.1 (PROG–) low	38t _{CLCL}		
t _{GHDX}	Data hold after P0.1 (PROG–) high	36t _{CLCL}		
t _{SHGL}	V _{PP} setup to P0.1 (PROG–) low	10		μs
t _{GHSL}	V _{PP} hold after P0.1 (PROG–)	10		μs
t _{GLGH}	P0.1 (PROG–) width	90	110	μs
t _{AVQV} ²	V _{PP} low (V _{CC}) to data valid		48t _{CLCL}	
t _{GHGL}	P0.1 (PROG–) high to P0.1 (PROG–) low	10		μs
t _{SYNL}	P0.0 (sync pulse) low	4t _{CLCL}		
t _{SYNH}	P0.0 (sync pulse) high	8t _{CLCL}		
t _{MASEL}	ASEL high time	13t _{CLCL}		
t _{MAHLD}	Address hold time	2t _{CLCL}		
t _{HASET}	Address setup to ASEL	13t _{CLCL}		
t _{ADSTA}	Low address to valid data		48t _{CLCL}	

NOTES:

1. Address should be valid at least 24t_{CLCL} before the rising edge of P0.2 (V_{PP}).
2. For a pure verify mode, i.e., no program mode in between, t_{AVQV} is 14t_{CLCL} maximum.

80C51 8-bit microcontroller family
1K/64 OTP/ROM, low pin count

83C750/87C750

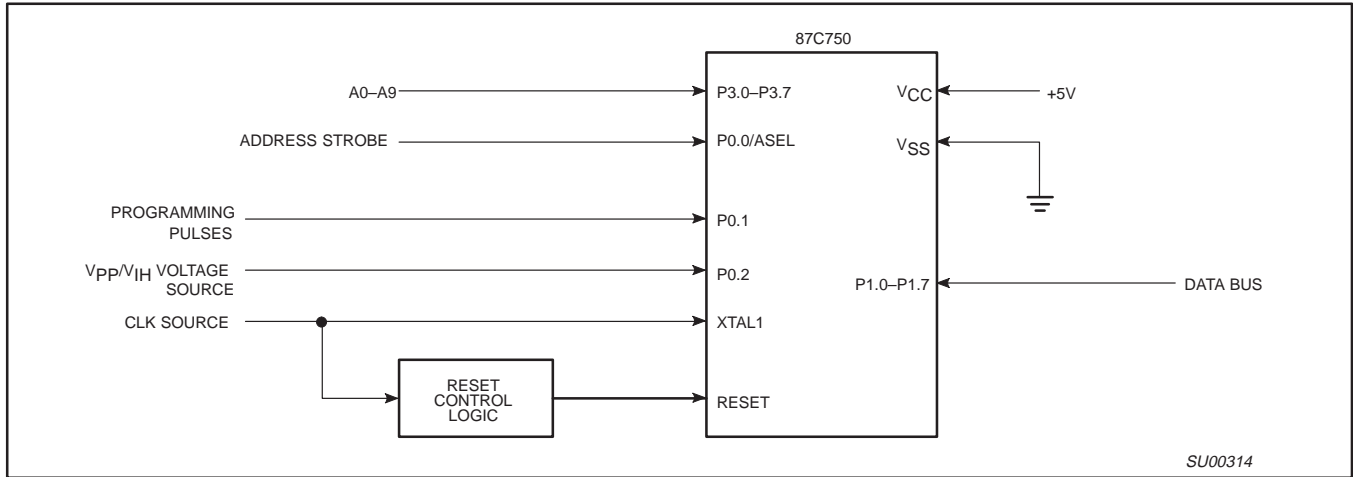


Figure 4. Programming Configuration

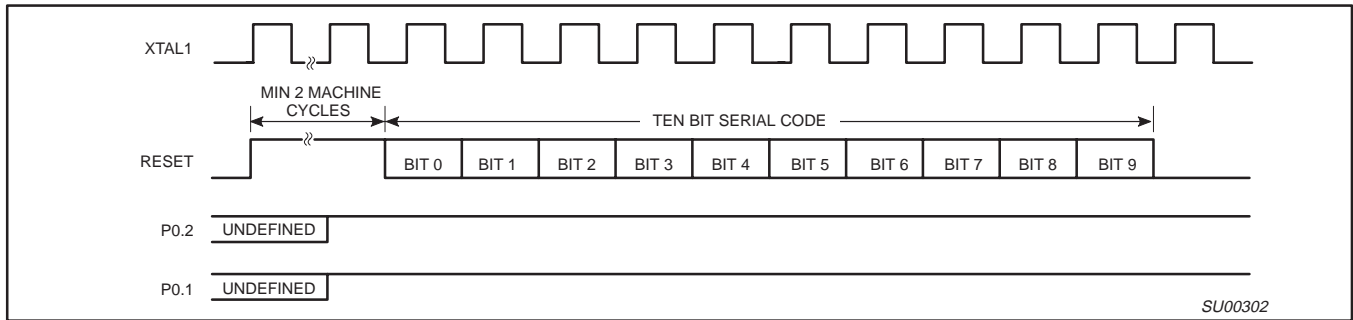


Figure 5. Entry into Program/Verify Modes

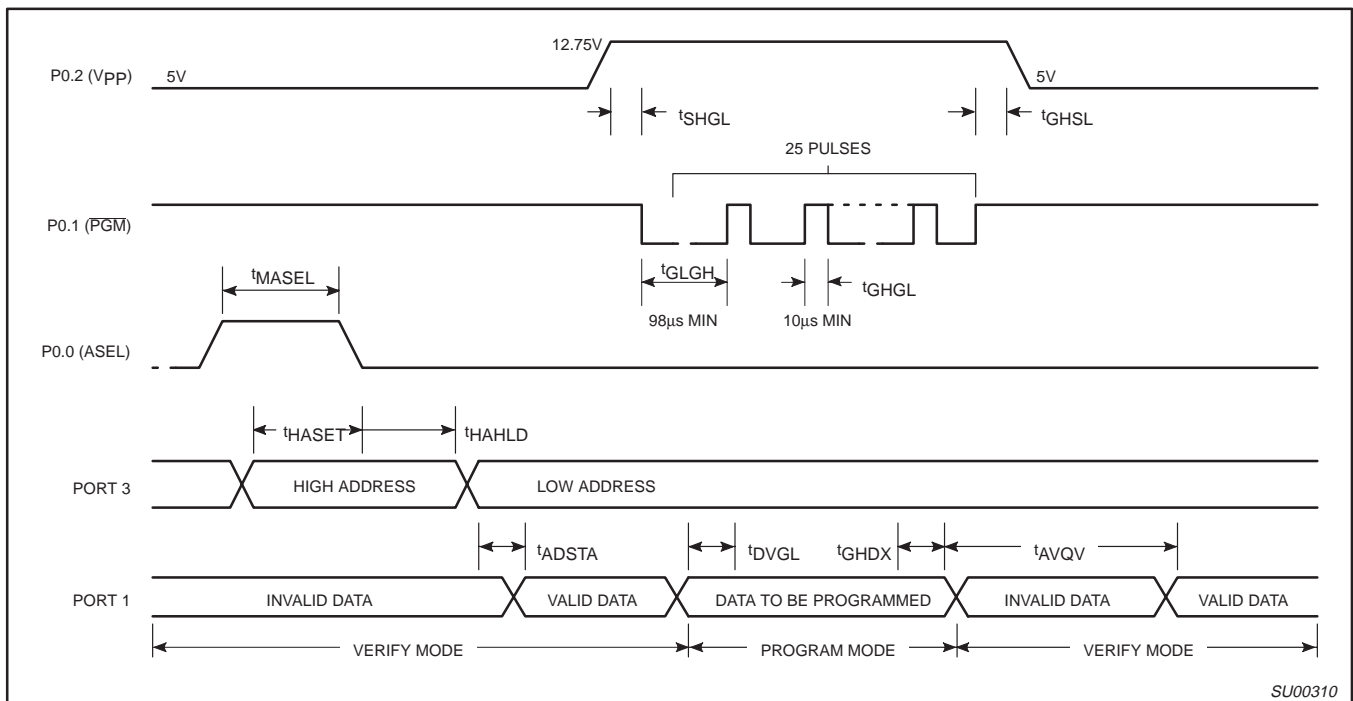


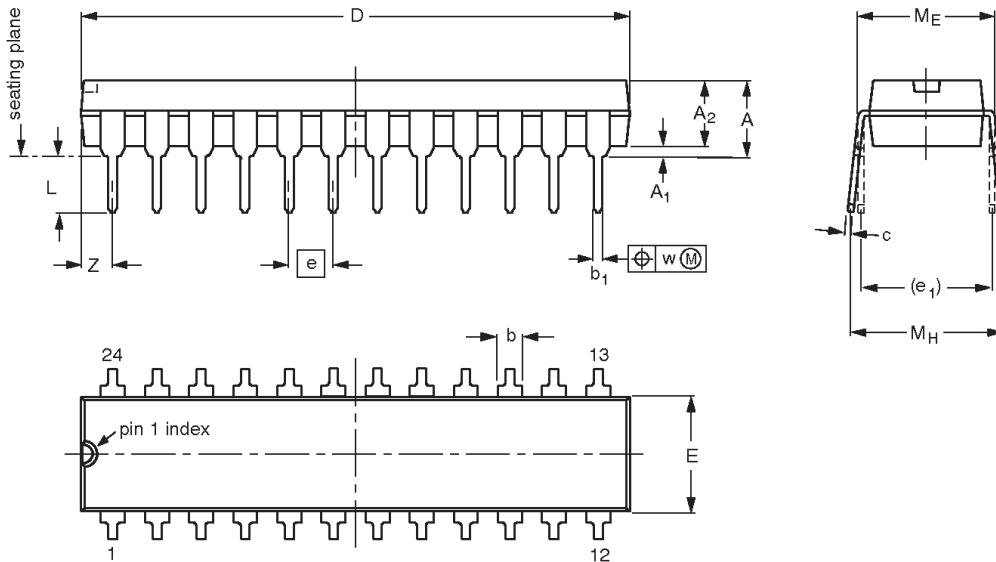
Figure 6. Program/Verify Cycle

80C51 8-bit microcontroller family
1K/64 OTP/ROM low pin count

83C750/87C750

DIP24: plastic dual in-line package; 24 leads (300 mil)

SOT222-1



DIMENSIONS (millimetre dimensions are derived from the original inch dimensions)

UNIT	A max.	A ₁ min.	A ₂ max.	b	b ₁	c	D ⁽¹⁾	E ⁽¹⁾	e	e ₁	L	M _E	M _H	w	Z ⁽¹⁾ max.
mm	4.70	0.38	3.94	1.63 1.14	0.56 0.43	0.36 0.25	31.9 31.5	6.73 6.48	2.54	7.62	3.51 3.05	8.13 7.62	10.03 7.62	0.25	2.05
inches	0.185	0.015	0.155	0.064 0.045	0.022 0.017	0.014 0.010	1.256 1.240	0.265 0.255	0.100	0.300	0.138 0.120	0.32 0.30	0.395 0.300	0.01	0.081

Note

1. Plastic or metal protrusions of 0.01 inches maximum per side are not included.

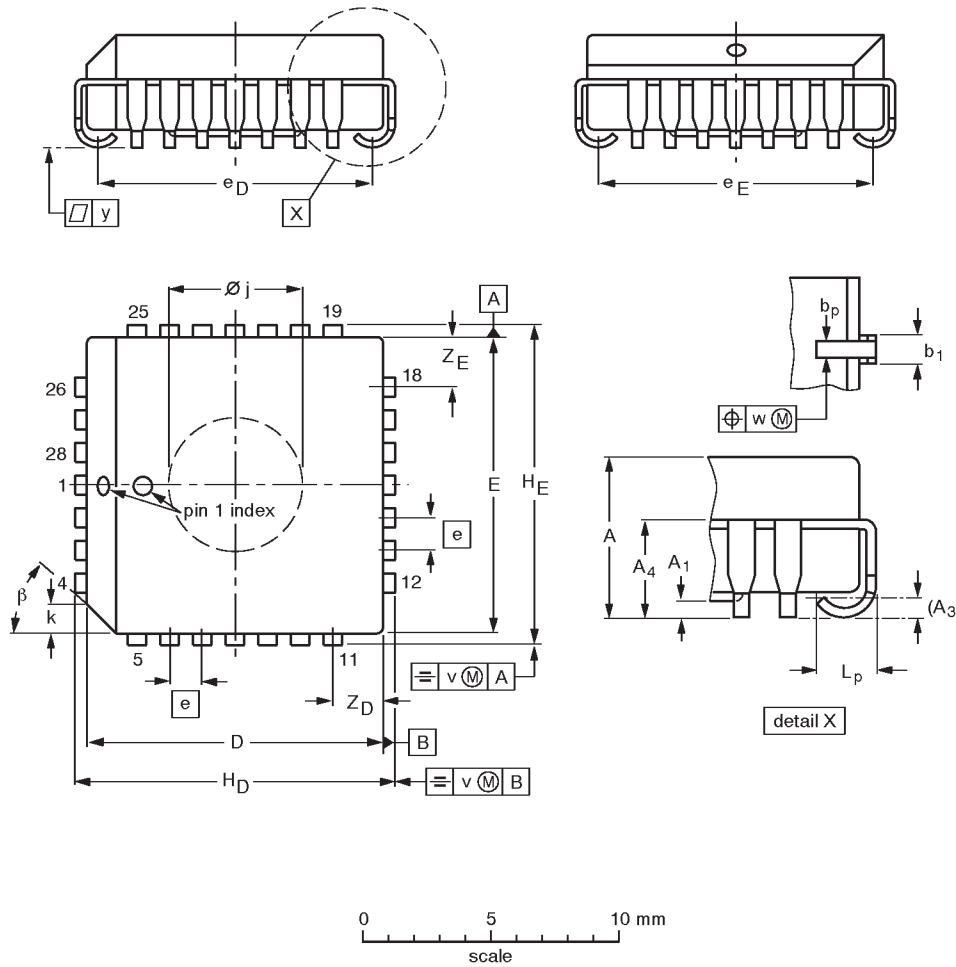
OUTLINE VERSION	REFERENCES				EUROPEAN PROJECTION	ISSUE DATE
	IEC	JEDEC	EIAJ			
SOT222-1		MS-001AF				95-03-11

80C51 8-bit microcontroller family
1K/64 OTP/ROM low pin count

83C750/87C750

PLCC28: plastic leaded chip carrier; 28 leads; pedestal

SOT261-3



DIMENSIONS (millimetre dimensions are derived from the original inch dimensions)

UNIT	A	A ₁ min.	A ₃	A ₄ max.	b _p	b ₁	D ⁽¹⁾	E ⁽¹⁾	e	e _D	e _E	H _D	H _E	k	ø _j	L _p	v	w	y	Z _D ⁽¹⁾ max.	Z _E ⁽¹⁾ max.	β
mm	4.57 4.19	0.13	0.25	3.05	0.53 0.33	0.81 0.66	11.58 11.43	11.58 11.43	1.27	10.92 9.91	10.92 9.91	12.57 12.32	12.57 12.32	1.22 1.07	5.69 5.54	1.44 1.02	0.18	0.18	0.10	2.06	2.06	45°
inches	0.180 0.165	0.005	0.01	0.12	0.021 0.013	0.032 0.026	0.456 0.450	0.456 0.450	0.05	0.430 0.390	0.430 0.390	0.495 0.485	0.495 0.485	0.048 0.042	0.224 0.218	0.057 0.040	0.007	0.007	0.004	0.081	0.081	

Note

1. Plastic or metal protrusions of 0.01 inches maximum per side are not included.

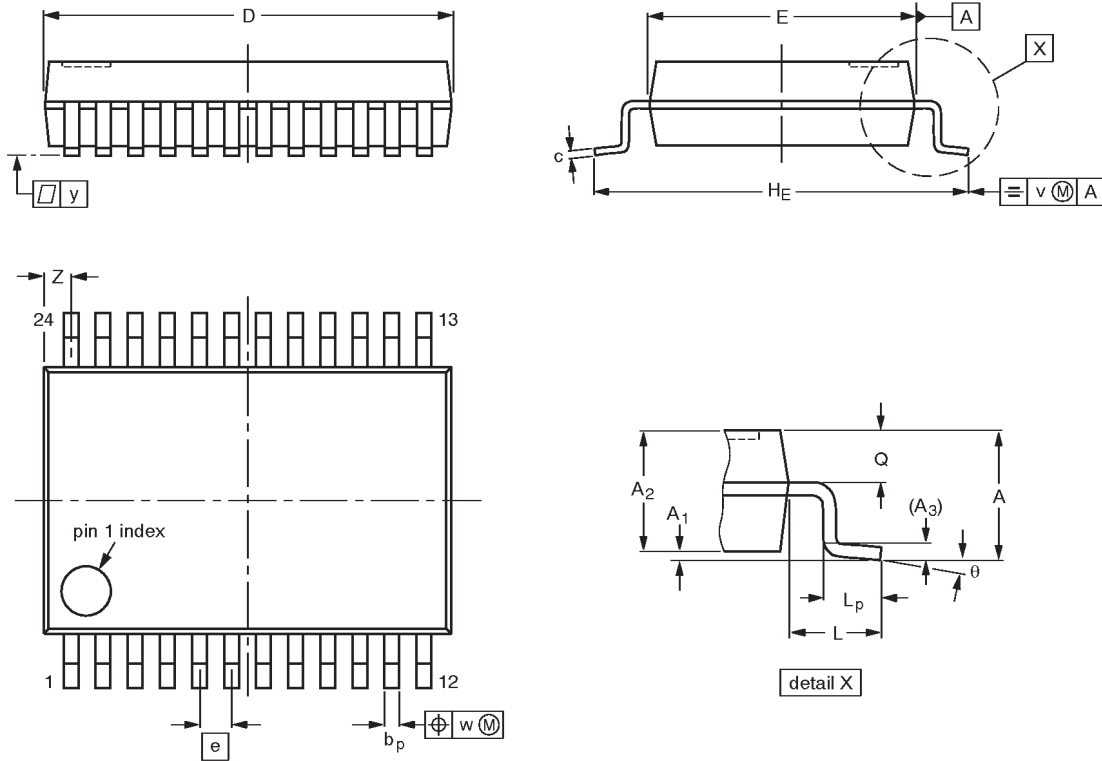
OUTLINE VERSION	REFERENCES				EUROPEAN PROJECTION	ISSUE DATE
	IEC	JEDEC	EIAJ			
SOT261-3		MO-047AB				92-11-17 95-02-25

80C51 8-bit microcontroller family
1K/64 OTP/ROM low pin count

83C750/87C750

SSOP24: plastic shrink small outline package; 24 leads; body width 5.3 mm

SOT340-1



DIMENSIONS (mm are the original dimensions)

UNIT	A max.	A ₁	A ₂	A ₃	b _p	c	D ⁽¹⁾	E ⁽¹⁾	e	H _E	L	L _p	Q	v	w	y	Z ⁽¹⁾	θ
mm	2.0	0.21 0.05	1.80 1.65	0.25	0.38 0.25	0.20 0.09	8.4 8.0	5.4 5.2	0.65	7.9 7.6	1.25	1.03 0.63	0.9 0.7	0.2	0.13	0.1	0.8 0.4	8° 0°

Note

1. Plastic or metal protrusions of 0.20 mm maximum per side are not included.

OUTLINE VERSION	REFERENCES				EUROPEAN PROJECTION	ISSUE DATE
	IEC	JEDEC	EIAJ			
SOT340-1		MO-150AG				93-09-08 95-02-04

80C51 8-bit microcontroller family
1K/64 OTP/ROM low pin count

83C750/87C750

NOTES

80C51 8-bit microcontroller family

1K/64 OTP/ROM low pin count

83C750/87C750

Data sheet status

Data sheet status	Product status	Definition [1]
Objective specification	Development	This data sheet contains the design target or goal specifications for product development. Specification may change in any manner without notice.
Preliminary specification	Qualification	This data sheet contains preliminary data, and supplementary data will be published at a later date. Philips Semiconductors reserves the right to make changes at any time without notice in order to improve design and supply the best possible product.
Product specification	Production	This data sheet contains final specifications. Philips Semiconductors reserves the right to make changes at any time without notice in order to improve design and supply the best possible product.

[1] Please consult the most recently issued datasheet before initiating or completing a design.

Definitions

Short-form specification — The data in a short-form specification is extracted from a full data sheet with the same type number and title. For detailed information see the relevant data sheet or data handbook.

Limiting values definition — Limiting values given are in accordance with the Absolute Maximum Rating System (IEC 134). Stress above one or more of the limiting values may cause permanent damage to the device. These are stress ratings only and operation of the device at these or at any other conditions above those given in the Characteristics sections of the specification is not implied. Exposure to limiting values for extended periods may affect device reliability.

Application information — Applications that are described herein for any of these products are for illustrative purposes only. Philips Semiconductors make no representation or warranty that such applications will be suitable for the specified use without further testing or modification.

Disclaimers

Life support — These products are not designed for use in life support appliances, devices or systems where malfunction of these products can reasonably be expected to result in personal injury. Philips Semiconductors customers using or selling these products for use in such applications do so at their own risk and agree to fully indemnify Philips Semiconductors for any damages resulting from such application.

Right to make changes — Philips Semiconductors reserves the right to make changes, without notice, in the products, including circuits, standard cells, and/or software, described or contained herein in order to improve design and/or performance. Philips Semiconductors assumes no responsibility or liability for the use of any of these products, conveys no license or title under any patent, copyright, or mask work right to these products, and makes no representations or warranties that these products are free from patent, copyright, or mask work right infringement, unless otherwise specified.

Philips Semiconductors
811 East Arques Avenue
P.O. Box 3409
Sunnyvale, California 94088-3409
Telephone 800-234-7381

© Copyright Philips Electronics North America Corporation 1998
All rights reserved. Printed in U.S.A.

Date of release: 05-98

Document order number:

9397 750 03844

Let's make things better.