

SANYO	No.2159A	2SA1518/2SC3912
		PNP/NPN Epitaxial Planar Silicon Transistors Switching Applications (with Bias Resistance)

Applications

- Switching circuits, inverter circuits, interface circuits, driver circuits

Features

- On-chip bias resistance: (R1=10kΩ, R2=10kΩ)
- Small-sized package: CP
- Large current capacity: I_C=500mA

() : 2SA1518

Absolute Maximum Ratings at Ta=25°C

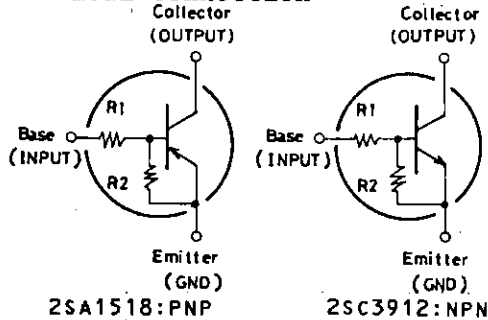
			unit
Collector to Base Voltage	V _{CB0}	(-)50	V
Collector to Emitter Voltage	V _{CEO}	(-)50	V
Emitter to Base Voltage	V _{EBO}	(-)10	V
Collector Current	I _C	(-)500	mA
Collector Current(Pulse)	I _{CP}	(-)800	mA
Collector Dissipation	P _C	200	mW
Junction Temperature	T _j	150	°C
Storage Temperature	T _{stg}	-55 to +150	°C

Electrical Characteristics at Ta=25°C

		min	typ	max	unit	
Collector Cutoff Current	I _{CBO}	V _{CB} = (-)40V, I _E = 0		(-)0.1	μA	
	I _{CEO}	V _{CE} = (-)40V, I _B = 0		(-)0.5	μA	
Emitter Cutoff Current	I _{EBO}	V _{EB} = (-)5V, I _C = 0	(-)195	(-)250	(-)360	μA
	h _{FE}	V _{CE} = (-)5V, I _C = (-)10mA	50			
Gain-Bandwidth Product	f _T	V _{CE} = (-)10V, I _C = (-)5mA	250			MHz
	c _{ob}	V _{CB} = (-)10V, f = 1MHz	(200)			MHz
Output Capacitance			3.7			pF
			(5.5)			pF
Collector to Emitter Saturation Voltage	V _{CE(sat)}	I _C = (-)20mA, I _B = (-)1mA	(-)0.1	(-)0.3		V
	V _{(BR)CBO}	I _B = (-)10μA, I _E = 0	(-)50			V
Collector to Emitter Breakdown Voltage	V _{(BR)CEO}	I _C = (-)100μA, R _{BE} = ∞	(-)50			V

Continued on next page.

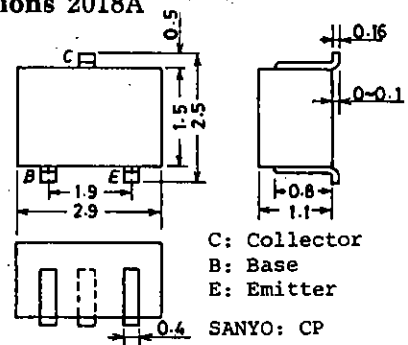
Electrical Connection



Package Dimensions 2018A

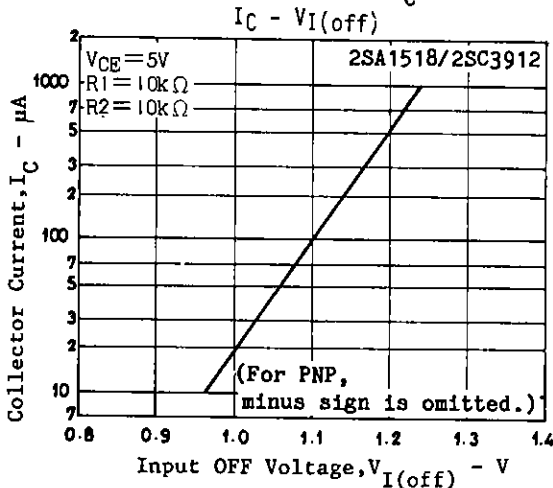
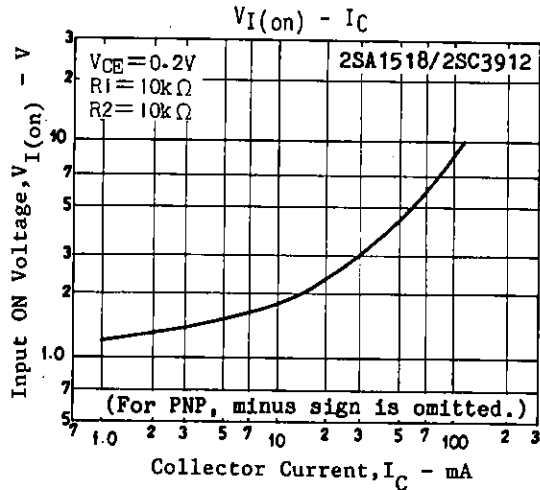
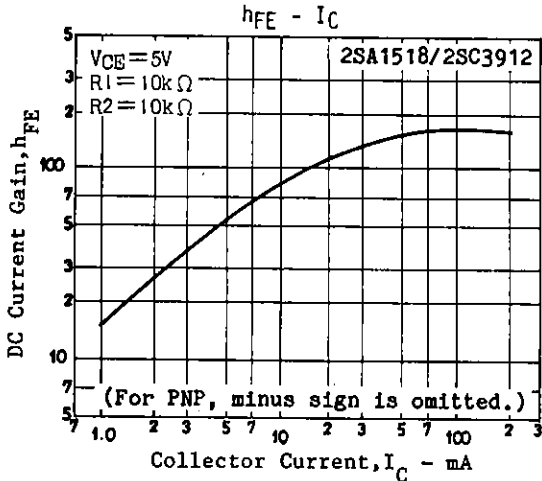
(unit: mm)

Marking
2SA1518: LL
2SC3912: TY



Continued from preceding page.

			min	typ	max	unit
Input OFF-State Voltage	$V_{I(off)}$	$V_{CE} = (-)5V,$ $I_C = (-)100\mu A$	(-)0.8	(-)1.1	(-)1.5	V
Input ON-State Voltage	$V_{I(on)}$	$V_{CE} = (-)0.2V,$ $I_C = (-)10mA$	(-)1.0	(-)2.0	(-)4.0	V
Input Resistance	R_1		7	10	13	$k\Omega$
Resistance Ratio	R_1/R_2		0.9	1.0	1.1	



■ No products described or contained herein are intended for use in surgical implants, life-support systems, aerospace equipment, nuclear power control systems, vehicles, disaster/crime-prevention equipment and the like, the failure of which may directly or indirectly cause injury, death or property loss.

■ Anyone purchasing any products described or contained herein for an above-mentioned use shall:

- ① Accept full responsibility and indemnify and defend SANYO ELECTRIC CO., LTD., its affiliates, subsidiaries and distributors and all their officers and employees, jointly and severally, against any and all claims and litigation and all damages, cost and expenses associated with such use;
- ② Not impose any responsibility for any fault or negligence which may be cited in any such claim or litigation on SANYO ELECTRIC CO., LTD., its affiliates, subsidiaries and distributors or any of their officers and employees jointly or severally.

■ Information (including circuit diagrams and circuit parameters) herein is for example only; it is not guaranteed for volume production. SANYO believes information herein is accurate and reliable, but no guarantees are made or implied regarding its use or any infringements of intellectual property rights or other rights of third parties.