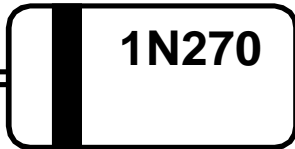


Gold Bonded



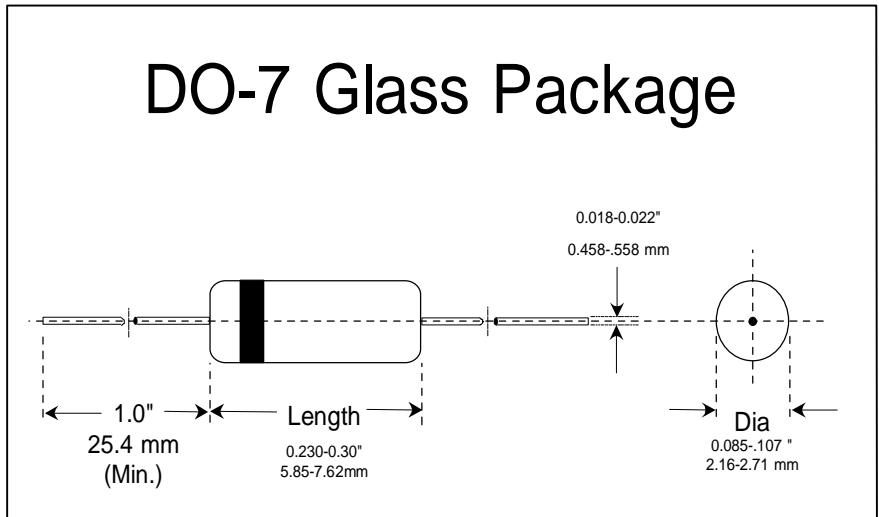
Germanium Diodes

Optimized for Radio Frequency Response

Can be used in many AM, FM and TV-IF applications, replacing point contact devices.

Applications

- AM/FM detectors
- Ratio detectors
- FM discriminators
- TV audio detectors
- RF input probes
- TV video detectors



Features

- Lower leakage current
- Flat junction capacitance
- High mechanical strength
- At least 1 million hours MTBF
- BKC's Sigma-Bond™ plating for problem free solderability

Absolute Maximum Ratings at T<sub>amb</sub> = 25 °C

Parameter	Symbols	Min.	Max.	Units
Peak Inverse Voltage	PIV	**	100	Volts
Surge Current , t = 1 Second	I <sub>FSM</sub>		0.5	Amps
Average Rectified Forward Current	I <sub>O</sub>		40	mA
Peak Operating Current	I <sub>OS</sub>		325	mA
Operating and Storage Temperatures	T <sub>J&amp;STG</sub>	-65	+90	°C

Electrical Characteristics at T<sub>amb</sub> = 25 °C

Parameter	Test Conditions	Symbols	Min.	Typ.	Max.	Units
Forward Voltage Drop	I <sub>F</sub> = 200 mA	V <sub>F</sub>			1.00	Volts
Breakdown Voltage @ I <sub>R</sub> = 1.0 mA		PIV	100			Volts
Reverse Leakage	V <sub>R</sub> = 50 Volts	I <sub>R</sub>		**	100	µA
Junction Capacitance	f = 1MHz, V <sub>R</sub> = 1 volt	C <sub>J</sub>		0.8		pF



6 Lake Street - Lawrence, MA 01841

Tel: 978-681-0392 - Fax: 978-681-9135