

# 1

## PRODUCT OVERVIEW

### SAM8 PRODUCT FAMILY

Samsung's SAM8 family of 8-bit single-chip CMOS microcontrollers offers a fast and efficient CPU with a wide range of integrated peripherals, in various mask-programmable ROM sizes. Analog its major CPU features are:

- Efficient register-oriented architecture
- Selectable CPU clock sources
- Idle and Stop power-down mode release by interrupt
- Built-in basic timer with watchdog function

The sophisticated interrupt structure recognizes up to eight interrupt levels. Each level can have one or more interrupt sources and vectors. Fast interrupt processing (within a minimum of four CPU clocks) can be assigned to specific interrupt levels.

### S3C8639/C863A/P863A MICROCONTROLLERS

S3C8639/C863A/P863A single-chip 8-bit microcontrollers are based on the powerful SAM8 CPU architecture. The internal register file is logically expanded to increase the on-chip register space. S3C8639/C863A/P863A contain 32/48 Kbytes of on-chip program ROM.

In line with Samsung's modular design approach, the following peripherals are integrated with the SAM8 core:

- Four programmable I/O ports (total 27 pins)
- One 8-bit basic timer for oscillation stabilization and watchdog functions
- One 8-bit general-purpose timer/counter with selectable clock sources
- One interval timer

- One 12-bit counter with selectable clock sources, including Hsync or Csync input
- PWM block with seven 8-bit PWM circuits
- Sync processor block (for Vsync and Hsync I/O, Csync input, and Clamp signal output)
- DDC Multi-master and slave-only IIC-Bus
- 4-channel A/D converter (8-bit resolution)

S3C8639/C863A/P863A are a versatile microcontrollers which are ideal for use in multi-sync monitors or in general-purpose applications that require sophisticated timer/counter, PWM, sync signal processing, A/D converter, and multi-master IIC-bus support with DDC. They are available in a 42-pin SDIP or a 44-pin QFP package.

### OTP

S3C8639/C863A microcontrollers are also available in OTP (One Time Programmable) version named, S3P863A. S3P863A microcontroller has an on-chip 48-Kbyte one-time-programmable EPROM instead of masked ROM. S3P863A is comparable to S3C8639/C863A, both in function and pin configuration except its ROM size.

## FEATURES

### CPU

- SAM88RC CPU core

### Memory

- S3C8639: 32-Kbyte internal program memory (ROM)  
S3C863A: 48-Kbyte internal program memory (ROM)
- S3C8639: 784-byte general-purpose register area  
S3C863A: 1040-byte general-purpose register area

### Instruction Set

- 78 instructions
- IDLE and STOP instructions added for power-down modes

### Instruction Execution Time

- Minimum 333 ns (with 12 MHz CPU clock)

### Interrupts

- Ten interrupt sources/vectors
- Eight interrupt level
- Fast interrupt feature

### General I/O

- Four I/O Ports (total 27pins)

### 8-Bit Basic Timer

- Programmable timer for oscillation stabilization interval control or watchdog timer function
- Three selective internal clock frequencies

### Timer/Counters

- One 8-bit Timer/Counter with several clock sources (Capture mode)
- One 12-bit Counter with H/C-sync and several clock sources
- One Interval Timer

### Low Voltage Reset (LVR)

- LVR level is 2.4 V  $\pm$  200 mV

### Pulse Width Modulator (PWM)

- 8-bit PWM: 7-CH  
(6-bit basic frame with 2-bit extension)

### Sync-Processor Block

- Vsync-I, Hsync-I, Csync-I input and Vsync-O, Hsync-O, Clamp-O output pins
- Programmable Pseudo sync signal generation
- Auto SOG detection
- Auto H-/V-sync polarity detection
- Composite sync detection

### DDC Multi-Master IIC-Bus 1-Ch

- Serial Peripheral Interface
- Support for Display Data Channel (DDC1/DDC2B/DDC2Bi/DDC2B+)

### Slave Only IIC-Bus 1-Ch

- Serial Peripheral Interface

### A/D Converter

- 4-channel; 8-bit resolution

### Oscillator Frequency

- 8 MHz to 12 MHz crystal operation
- Internal Max. 12 MHz CPU clock

### Operating Temperature Range

- - 40 °C to + 85 °C

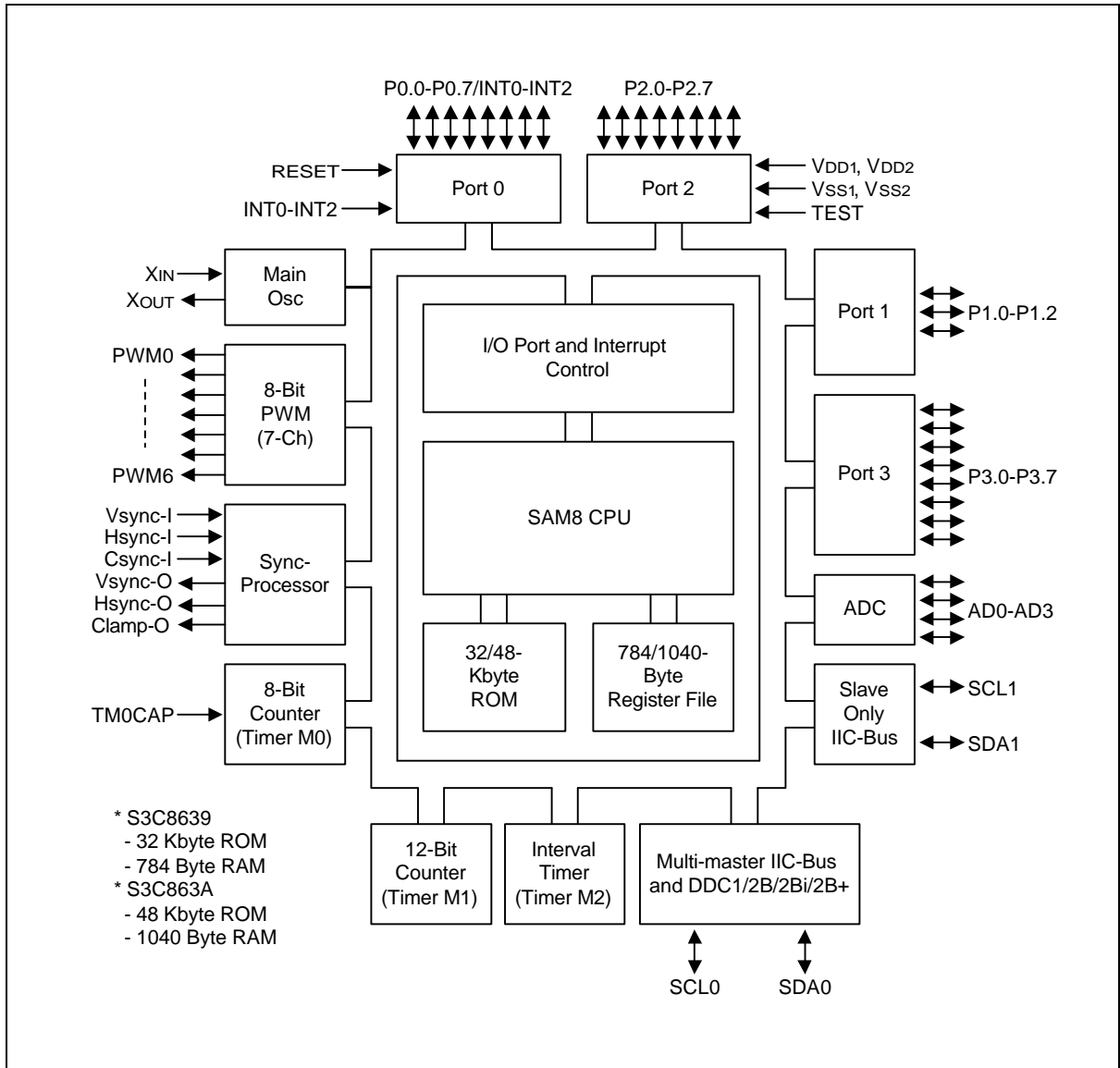
### Operating Voltage Range

- 3.0 V to 5.5 V

### Package Types

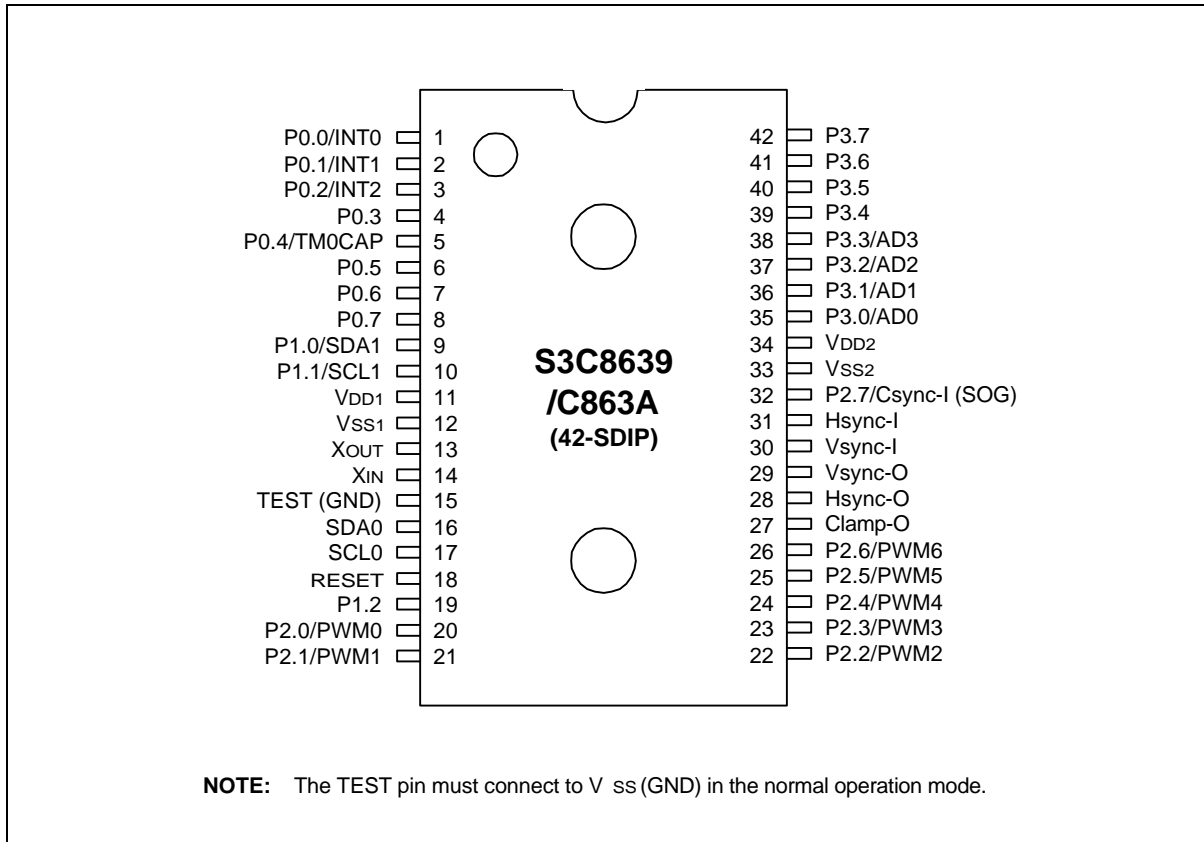
- 42-pin SDIP, 44-pin QFP

**BLOCK DIAGRAM**



**Figure 1-1. Block Diagram**

**PIN ASSIGNMENTS**



**Figure 1-2. S3C8639/C863A 42-SDIP Pin Assignment**

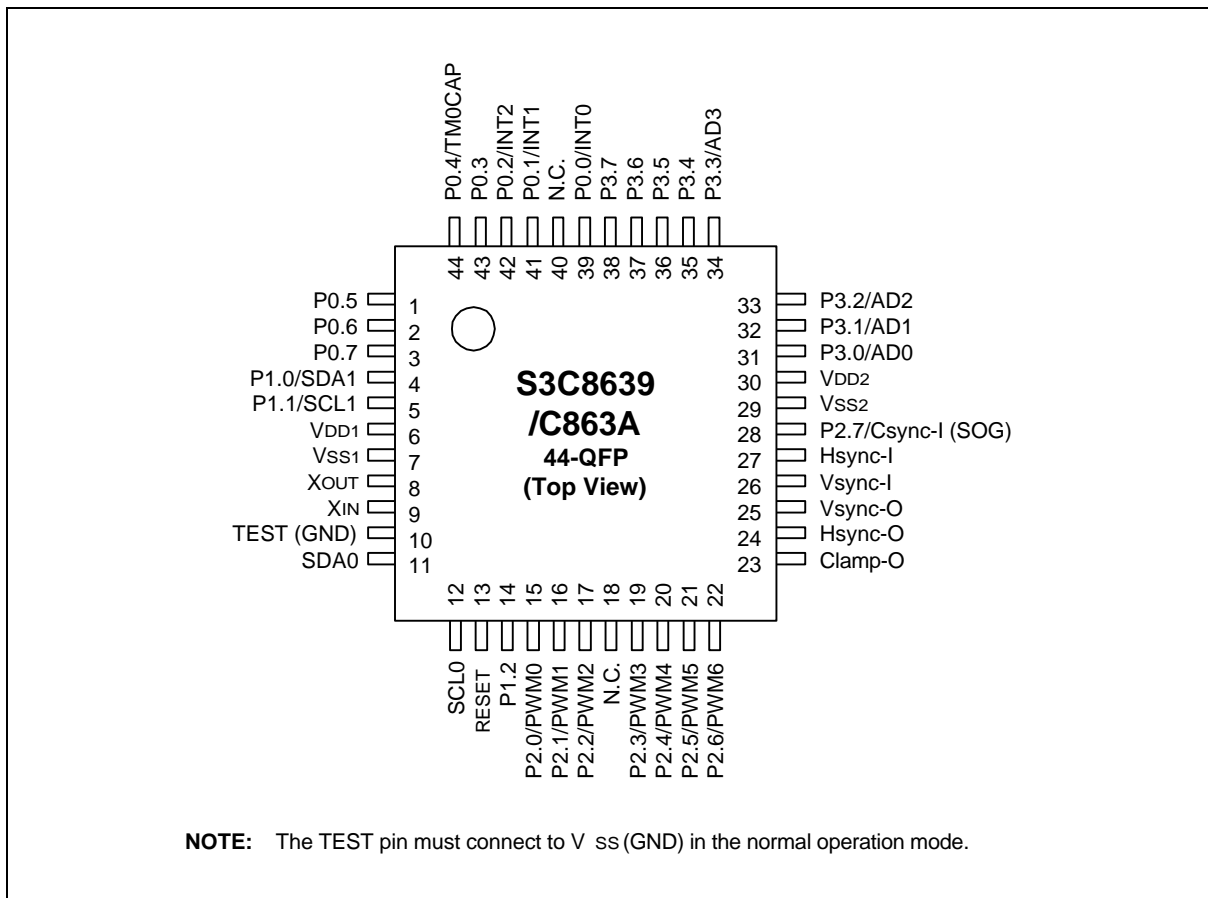


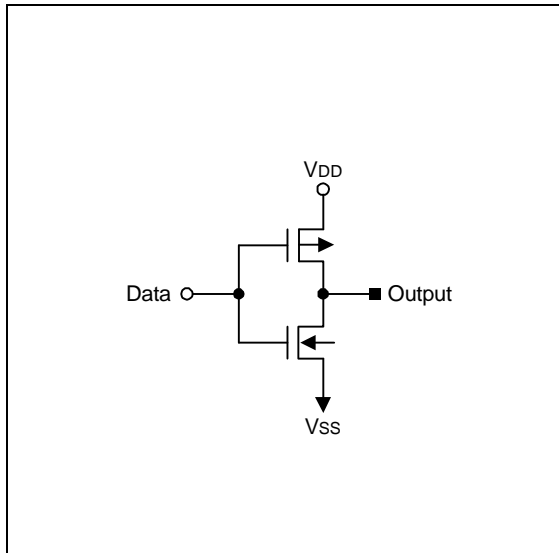
Figure 1-3. S3C8639/C863A 44-QFP Pin Assignment

PIN DESCRIPTIONS

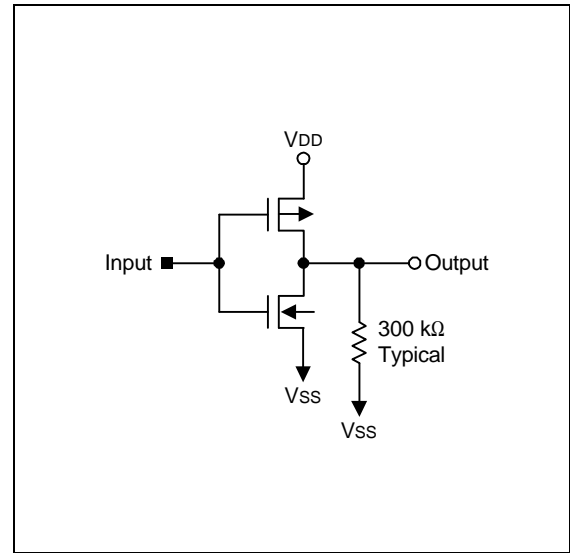
Table 1-1. S3C8639/C863A Pin Descriptions

Pin Names	Pin Type	Pin Description	Circuit Type	SDIP Pin Numbers	Shared Functions
P0.0 P0.1 P0.2 P0.3 P0.4 P0.5 P0.6 P0.7	I/O	General-purpose, 8-bit I/O port. Shared functions include three external interrupt inputs and I/O for timer M0. Selective configuration of port 0 pins to input or output mode is supported.	D-1 D-1 D-1 D-1 D-1 D-1 D-1 D-1	1 2 3 4 5 6 7 8	INT0 INT1 INT2 TM0CAP
P1.0 P1.1 P1.2	I/O	General-purpose, 8-bit I/O port. Selective configuration is available for port 1 pins to input, push-pull output, n-channel open-drain mode, or IIC-bus clock and data I/O.	E-1 E-1 E-1	9 10 19	SDA1 SCL1
P2.0 P2.1 P2.2 P2.3 P2.4 P2.5 P2.6 P2.7	I/O	General-purpose, 8-bit I/O port Selective configuration of port 2 pins to input or output mode is supported. The port 2 pin circuits are designed to push-pull PWM output and Csync (SOG) signal input.	D-1 D-1 D-1 D-1 E-1 E-1 E-1 D-1	20 21 22 23 24 25 26 32	PWM0 PWM1 PWM2 PWM3 PWM4 PWM5 PWM6 Csync-I
P3.0–P3.3 P3.4–P3.7	I/O	General-purpose, 8-bit I/O port Selective configuration port 3 pins to input or output mode is supported. Multiplexed for alternative use as A/D converter inputs AD0–AD3.	E-1 E	35–38 39–42	AD0–AD3
Hsync-I Vsync-I Clamp-O Hsync-O Vsync-O SDA0 SCL0	I I O O O I/O I/O	The pins are sync processor signal I/O and IIC-bus clock and data I/O.	A-3 A-3 A A A G-3 G-3	31 30 27 28 29 16 17	–
V <sub>DD1</sub> , V <sub>SS1</sub> , V <sub>DD2</sub> , V <sub>SS2</sub>	–	Power pins	– –	11, 12 34, 33	–
X <sub>IN</sub> , X <sub>OUT</sub>	–	System clock I/O pins	–	14, 13	–
RESET	I	System RESET pin	B	18	–
TEST	I	Factory test pin input <b>0 V: Normal operation, 5 V: Factory test mode</b>	–	15	–

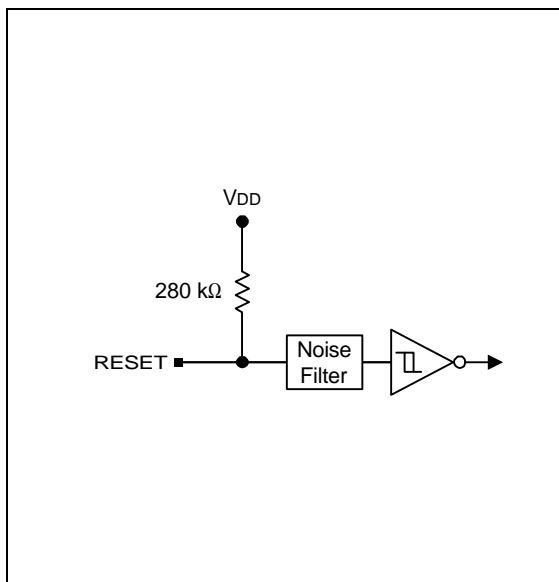
**PIN CIRCUITS DIAGRAM**



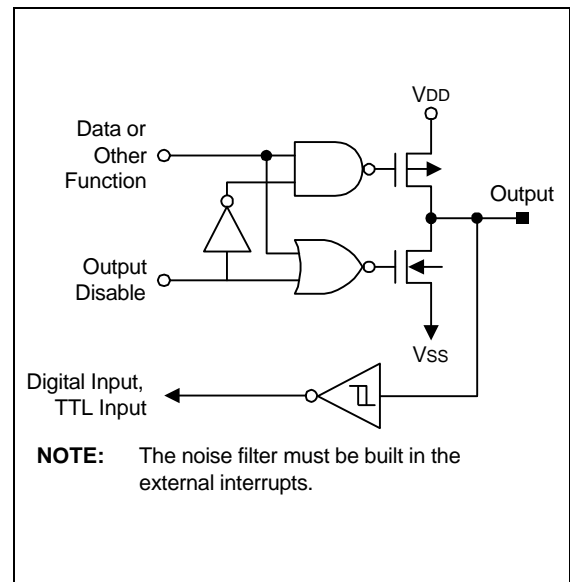
**Figure 1-4. Pin Circuit Type A**



**Figure 1-5. Pin Circuit Type A-3**



**Figure 1-6. Pin Circuit Type B (RESET)**



**Figure 1-7. Pin Circuit Type D-1**

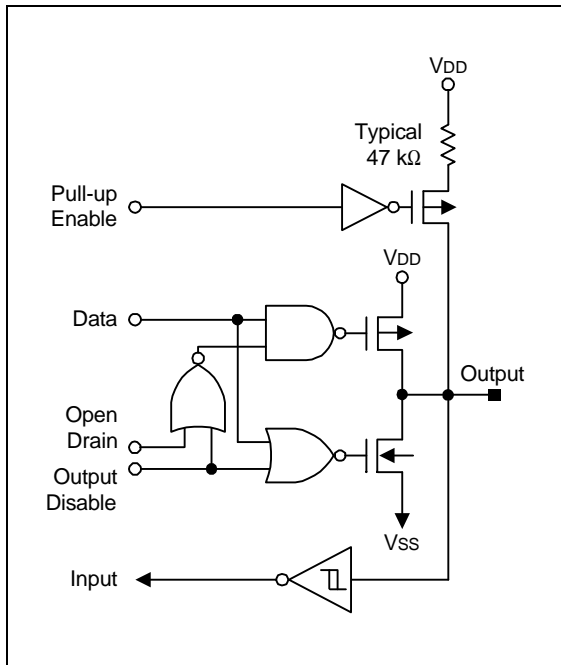


Figure 1-8. Pin Circuit Type E

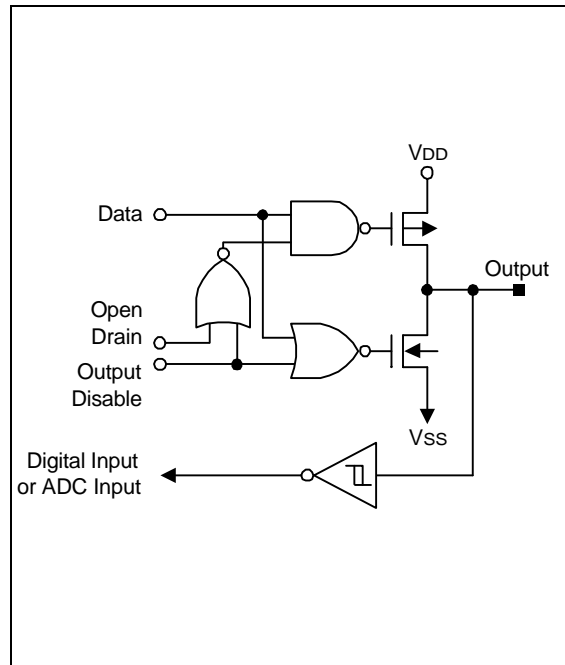


Figure 1-9. Pin Circuit Type E-1

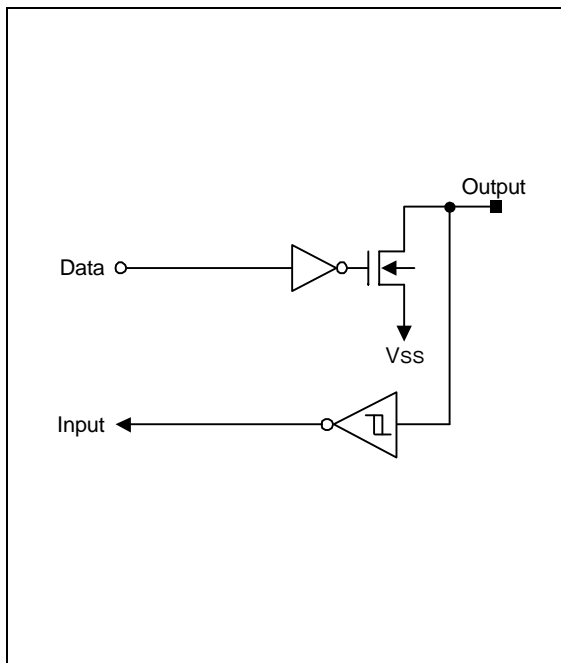


Figure 1-10. Pin Circuit Type G-3



# 19

## ELECTRICAL DATA

### OVERVIEW

In this section, S3C8639/C863A electrical characteristics are presented in tables and graphs. The information is arranged in the following order:

- Absolute maximum ratings
- D.C. electrical characteristics
- Data retention supply voltage in stop mode
- Stop mode release timing when initiated by a reset
- I/O capacitance
- A/D Converter electrical characteristics
- A.C. electrical characteristics
- Input timing measurement points for P0.0–P0.2 and TM0CAP
- Oscillation characteristics
- Oscillation stabilization time
- Clock timing measurement points for  $X_{IN}$
- Schmitt trigger characteristics
- Power-on reset circuit characteristics

Table 19-1. Absolute Maximum Ratings

 $(T_A = 25^\circ\text{C})$ 

Parameter	Symbol	Conditions	Rating	Unit
Supply voltage	$V_{DD}$	–	– 0.3 to + 6.5	V
Input voltage	$V_{I1}$	Type G-3 (n-channel open drain)	– 0.3 to + 7.0	
	$V_{I2}$	All port pins except $V_{I1}$	– 0.3 to $V_{DD} + 0.3$	
Output voltage	$V_O$	All output pins	– 0.3 to $V_{DD} + 0.3$	
Output current High	$I_{OH}$	One I/O pin active	– 10	mA
		All I/O pins active	– 60	
Output current Low	$I_{OL}$	One I/O pin active	+ 30	
		Total pin current except port 3	+ 100	
		Sync-processor I/O pins and IIC-bus clock and data pins	+ 150	
Operating temperature	$T_A$	–	– 40 to + 85	
Storage temperature	$T_{STG}$	–	– 65 to + 150	

Table 19-2. D.C. Electrical Characteristics

 $(T_A = -40^\circ\text{C to } +85^\circ\text{C}, V_{DD} = 3.0\text{ V to } 5.5\text{ V})$ 

Parameter	Symbol	Conditions	Min	Typ	Max	Unit
Input High voltage	$V_{IH1}$	All input pins except $V_{IH2}$ , $V_{IH3}$ and $V_{IH4}$	$0.8 V_{DD}$	–	$V_{DD}$	V
	$V_{IH2}$	$X_{IN}$	$V_{DD} - 0.5$		$V_{DD}$	
	$V_{IH3}$	TTL input (Hsync-I, Vsync-I, and Csync-I)	2.0		$V_{DD}$	
	$V_{IH4}$	SCL0/SDA0, SCL1/SDA1	$0.7V_{DD}$		$V_{DD}$	
Input Low voltage	$V_{IL1}$	All input pins except $V_{IL2}$ and $V_{IL3}$	–		$0.2 V_{DD}$	
	$V_{IL2}$	$X_{IN}$			0.4	
	$V_{IL3}$	TTL input (Hsync-I, Vsync-I, and Csync-I)			0.8	
	$V_{IL4}$	SCL0/SDA0, SCL1/SDA1			$0.3V_{DD}$	
Output High voltage	$V_{OH1}$	$V_{DD} = 5\text{ V} \pm 10\%$ ; $I_{OH} = -15\text{ mA}$ ; Port 3.6–3.7	$V_{DD} - 1.0$		–	
	$V_{OH2}$	$V_{DD} = 5\text{ V} \pm 10\%$ ; $I_{OH} = -4\text{ mA}$ ; Port 1.2, Port 3.0–3.5				
	$V_{OH3}$	$V_{DD} = 5\text{ V} \pm 10\%$ ; $I_{OH} = -2\text{ mA}$ ; Port 0, 2, Clamp-O, H, and Vsync-O				
	$V_{OH4}$	$V_{DD} = 5\text{ V} \pm 10\%$ ; $I_{OH} = -6\text{ mA}$ ; Port 1.0–P1.1, SCL0 and SDA0				

Table 19-2. D.C. Electrical Characteristics (Continued)

(T<sub>A</sub> = -40 °C to +85 °C, V<sub>DD</sub> = 3.0 V to 5.5 V)

Parameter	Symbol	Conditions	Min	Typ	Max	Unit
Output Low voltage	V <sub>OL1</sub>	V <sub>DD</sub> = 5 V ± 10%; I <sub>OL</sub> = 15 mA Port 3.6–3.7	–	–	0.4	V
	V <sub>OL2</sub>	V <sub>DD</sub> = 5 V ± 10%; I <sub>OL</sub> = 4 mA Port 3.0–3.5 and Port 1.2			0.4	
	V <sub>OL3</sub>	V <sub>DD</sub> = 5 V ± 10%; I <sub>OL</sub> = 2 mA Port 0, 2, Clamp-O, H, and Vsync-O			0.4	
	V <sub>OL4</sub>	V <sub>DD</sub> = 5 V ± 10%; I <sub>OL</sub> = 6 mA Port 1.0–1.1; SCL0 and SDA0			0.6	
Input High leakage current	I <sub>LIH1</sub>	V <sub>IN</sub> = V <sub>DD</sub> All input pins except X <sub>IN</sub> , X <sub>OUT</sub>	–	–	3	μA
	I <sub>LIH2</sub>	V <sub>IN</sub> = V <sub>DD</sub> ; X <sub>OUT</sub> only	–	–	20	
	I <sub>LIH3</sub>	V <sub>IN</sub> = V <sub>DD</sub> ; X <sub>IN</sub> only	2.5	6	20	
Input Low leakage current	I <sub>LIL1</sub>	V <sub>IN</sub> = 0 V; All input pins except X <sub>IN</sub> , X <sub>OUT</sub> , RESET, Hsync1 & Vsync1	–	–	–3	
	I <sub>LIL2</sub>	V <sub>IN</sub> = 0 V; X <sub>OUT</sub> only	–	–	–20	
	I <sub>LIL3</sub>	V <sub>IN</sub> = 0 V; X <sub>IN</sub> only	–2.5	–6	–20	
Output High leakage current	I <sub>LOH1</sub>	V <sub>OUT</sub> = V <sub>DD</sub>	–	–	3	
Output Low leakage current	I <sub>LOL1</sub>	V <sub>OUT</sub> = 0 V	–	–	–3	
Pull-up resistor	R <sub>U1</sub>	V <sub>IN</sub> = 0 V; V <sub>DD</sub> = 5 V ± 10% Ports 3.7–3.4	20	47	80	kΩ
	R <sub>U2</sub>	V <sub>IN</sub> = 0 V; V <sub>DD</sub> = 5 V ± 10% RESET only	150	280	480	
Pull-down resistor	R <sub>D</sub>	V <sub>IN</sub> = 0 V; V <sub>DD</sub> = 5 V ± 10% Hsync1 & Vsync1	150	300	500	
Supply current (note)	I <sub>DD1</sub>	V <sub>DD</sub> = 5 V ± 10% Operation mode; 12 MHz crystal C1 = C2 = 22pF	–	10	20	mA
	I <sub>DD2</sub>	V <sub>DD</sub> = 5 V ± 10% Idle mode; 12 MHz crystal C1 = C2 = 22pF		4	8	
	I <sub>DD3</sub>	V <sub>DD</sub> = 5 V ± 10% Stop mode		100	150	μA

**NOTE:** Supply current does not include drawn internal pull-up/pull-down resistors and external loads of output.

Table 19-3. Data Retention Supply Voltage in Stop Mode

(T<sub>A</sub> = -40 °C to + 85 °C)

Parameter	Symbol	Conditions	Min	Typ	Max	Unit
Data retention supply voltage	V <sub>DDDR</sub>	Stop mode	2	–	5.5	V
Data retention supply current	I <sub>DDDR</sub>	Stop mode, V <sub>DDDR</sub> = 2.0 V	–	–	5	μA

**NOTES:**

1. During the oscillator stabilization wait time (t<sub>WAIT</sub>), all CPU operations must be stopped.
2. Supply current does not include drawn through internal pull-up resistors and external output current loads.

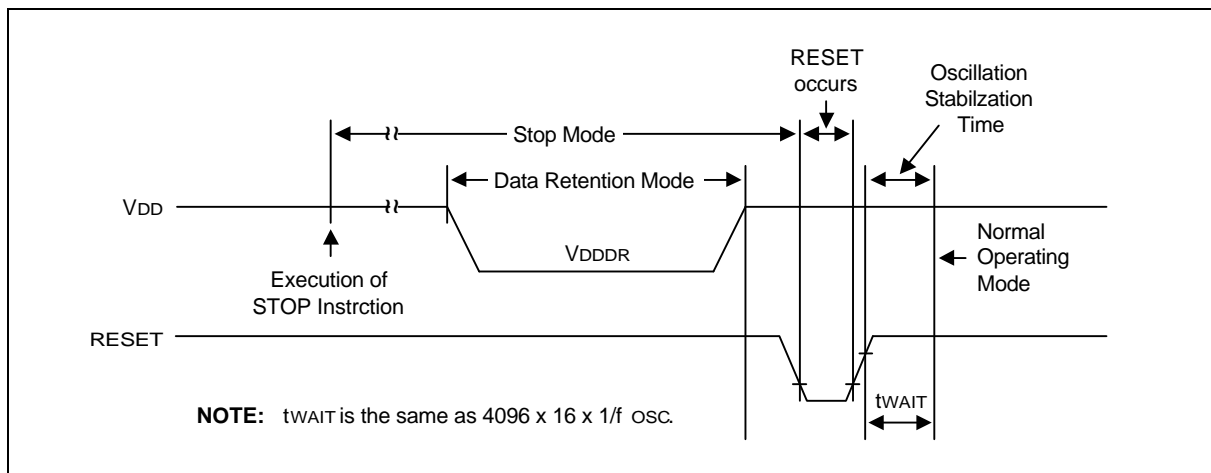


Figure 19-1. Stop Mode Release Timing When Initiated by a Reset

Table 19-4. Input/Output Capacitance

(T<sub>A</sub> = -40 °C to + 85 °C, V<sub>DD</sub> = 0 V)

Parameter	Symbol	Conditions	Min	Typ	Max	Unit
Input capacitance	C <sub>IN</sub>	f = 1 MHz; unmeasured pins are connected to V <sub>SS</sub>	–	–	10	pF
Output capacitance	C <sub>OUT</sub>					
I/O capacitance	C <sub>IO</sub>					

Table 19-5. A/D Converter Electrical Characteristics

(T<sub>A</sub> = -40 °C to +85 °C, V<sub>DD</sub> = 3.0 V to 5.5 V, V<sub>SS</sub> = 0 V)

Parameter	Symbol	Conditions	Min	Typ	Max	Unit
Resolution			-	8	-	bit
Total accuracy		V <sub>DD</sub> = 5 V Conversion time = 5 μs	-	-	± 2	LSB
Integral linearity error	ILE	AV <sub>REF</sub> = 5 V		-	± 1	
Differential linearity error	DLE	AV <sub>SS</sub> = 0 V		-	± 1	
Offset error of top	EOT			± 1	± 2	
Offset error of bottom	EOB			± 0.5	± 2	
Conversion time <sup>(1)</sup>	t <sub>CON</sub>	8 bit conversion 40 x n/f <sub>OSC</sub> <sup>(3)</sup> , n=1,4,8,16	20	-	170	μs
Analog input voltage	V <sub>IAN</sub>	-	AV <sub>SS</sub>	-	AV <sub>REF</sub>	V
Analog input impedance	R <sub>AN</sub>	-	2	1000	-	MΩ
Analog reference voltage	AV <sub>REF</sub>	-	2.5	-	V <sub>DD</sub>	V
Analog ground	AV <sub>SS</sub>	-	V <sub>SS</sub>	-	V <sub>SS</sub> + 0.3	V
Analog input current	I <sub>ADIN</sub>	AV <sub>REF</sub> = V <sub>DD</sub> = 5V	-	-	10	μA
Analog block Current <sup>(2)</sup>	I <sub>ADC</sub>	AV <sub>REF</sub> = V <sub>DD</sub> = 5V	-	1	3	mA
		AV <sub>REF</sub> = V <sub>DD</sub> = 3V		0.5	1.5	mA
		AV <sub>REF</sub> = V <sub>DD</sub> = 5V		100	500	nA
		When power down mode				

**NOTES:**

- "Conversion time" is the time required from the moment a conversion operation starts until it ends.
- I<sub>ADC</sub> is an operating current during the A/D conversion.
- f<sub>OSC</sub> is the main oscillator clock.

Table 19-6. A.C. Electrical Characteristics

(T<sub>A</sub> = -40 °C to +85 °C, V<sub>DD</sub> = 3.0 V to 5.5V)

Parameter	Symbol	Conditions	Min	Typ	Max	Unit
Noise Filter	t <sub>NF1H</sub> t <sub>NF1L</sub>	INT0-2 and TM0CAP (RC delay)	300	-	-	ns
	t <sub>NF2</sub>	RESET only (RC delay)	1000	-	-	

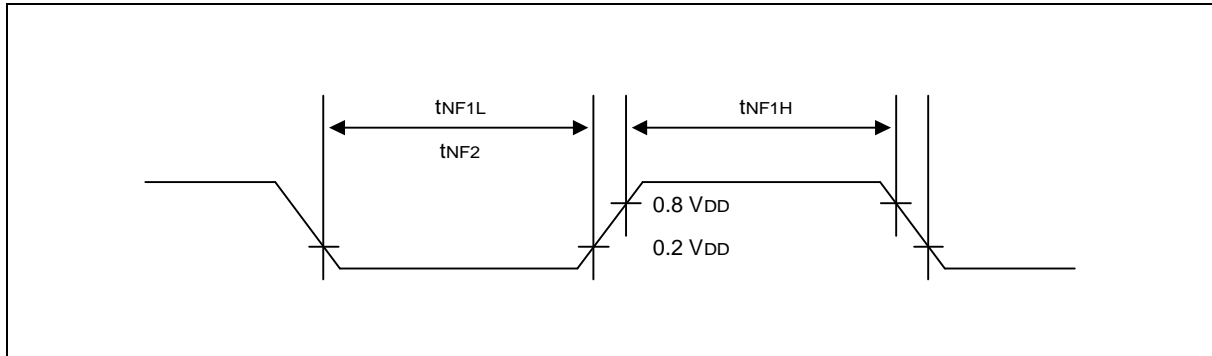
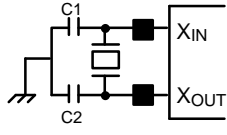
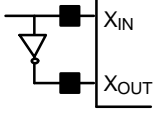


Figure 19-2. Input Timing Measurement Points for P0.0-P0.2 and TM0CAP

Table 19-7. Oscillation Characteristics

 $(T_A = -40\text{ }^\circ\text{C} + 85\text{ }^\circ\text{C})$ 

Oscillator	Clock Circuit	Conditions	Min	Typ	Max	Unit
Main crystal or ceramic		$V_{DD} = 3.0\text{ V to } 5.5\text{ V}$	8	–	12	MHz
External clock (main)		$V_{DD} = 3.0\text{ V to } 5.5\text{ V}$	8	–	12	MHz

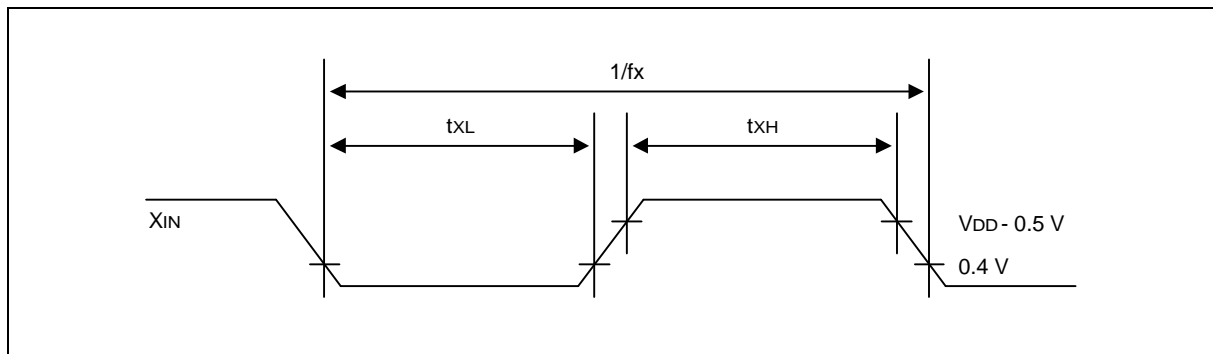
**NOTE:** The maximum oscillator frequency is 12 MHz. If you use an oscillator frequency higher than 12 MHz, you cannot select a non-divided CPU clock using CLKCON settings. That is, you must select one of the divide-by values.

Table 19-8. Oscillation Stabilization Time

 $(T_A = -40\text{ }^\circ\text{C} + 85\text{ }^\circ\text{C}, V_{DD} = 3.0\text{ V to } 5.5\text{ V})$ 

Oscillator	Test Condition	Min	Typ	Max	Unit
Crystal	$V_{DD} = 3.0\text{ V to } 5.5\text{ V}$	–	–	20	ms
Ceramic	$V_{DD} = 3.0\text{ V to } 5.5\text{ V}$	–	–	10	
External clock	$X_{IN}$ input high and low level width ( $t_{XH}, t_{XL}$ )	25	–	500	ns

**NOTE:** Oscillation stabilization time is the time required for the CPU clock to return to its normal oscillation frequency after a power-on occurs, or when Stop mode is released.

Figure 19-3. Clock Timing Measurement Points for  $X_{IN}$

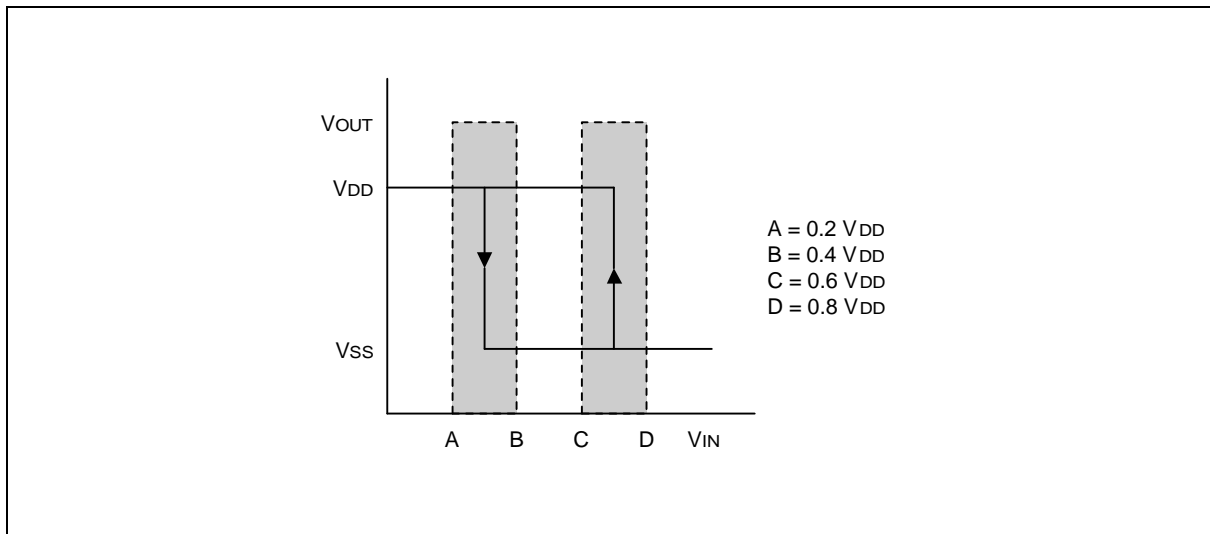


Figure 19-4. Schmitt Trigger Characteristics (Normal Port; except TTL Input)

Table 19-9. Power-on Reset Circuit Characteristics

(T<sub>A</sub> = -40 °C to +85 °C, V<sub>DD</sub> = 3.0 V to 5.5 V)

Parameter	Symbol	Conditions	Min	Typ	Max	Unit
Power-on reset release voltage	V <sub>ODLVD</sub>		2.7	–	5.5	V
Power-on reset detection voltage	V <sub>LVD</sub>		2.2	2.4	2.6	V
Power supply voltage rise time	t <sub>r</sub>		10	–	(1)	us
Power supply voltage off time	t <sub>off</sub>		10	–	–	ms
Power-on reset circuit consumption current <sup>(2)</sup>	I <sub>DDPR</sub>	V <sub>DD</sub> = 5 V ± 10%		100	150	μA
		V <sub>DD</sub> = 3 V		60	100	μA

**NOTES:**

1. 2<sup>16</sup>/f<sub>OSC</sub> (= 5.46 ms at f<sub>OSC</sub>/12MHz)
2. Current contained when power-on reset circuit is provided internally.



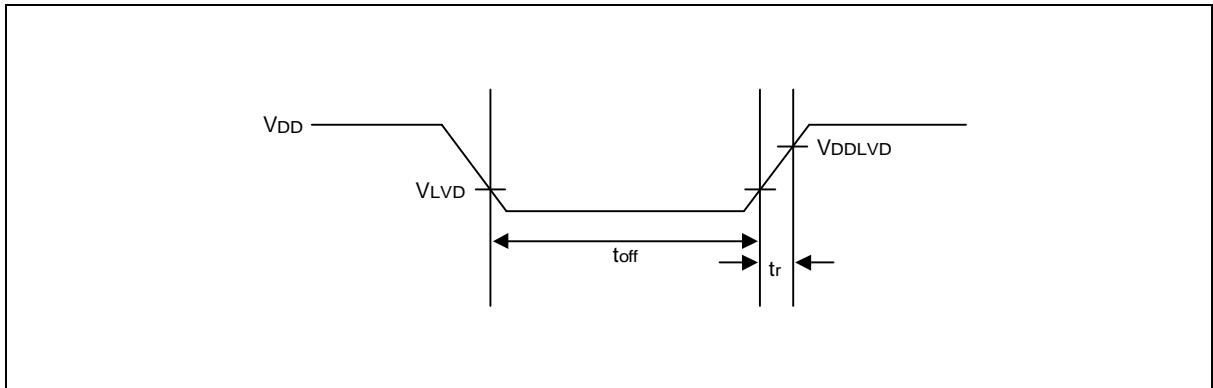


Figure 19-5. Power-on Reset Timing

# 20 MECHANICAL DATA

## OVERVIEW

The S3C8639/C863A microcontroller is available in a 42-pin SDIP package (Samsung part number 42-SDIP-600) and a 44-QFP package (Samsung part number 44-QFP-1010B).

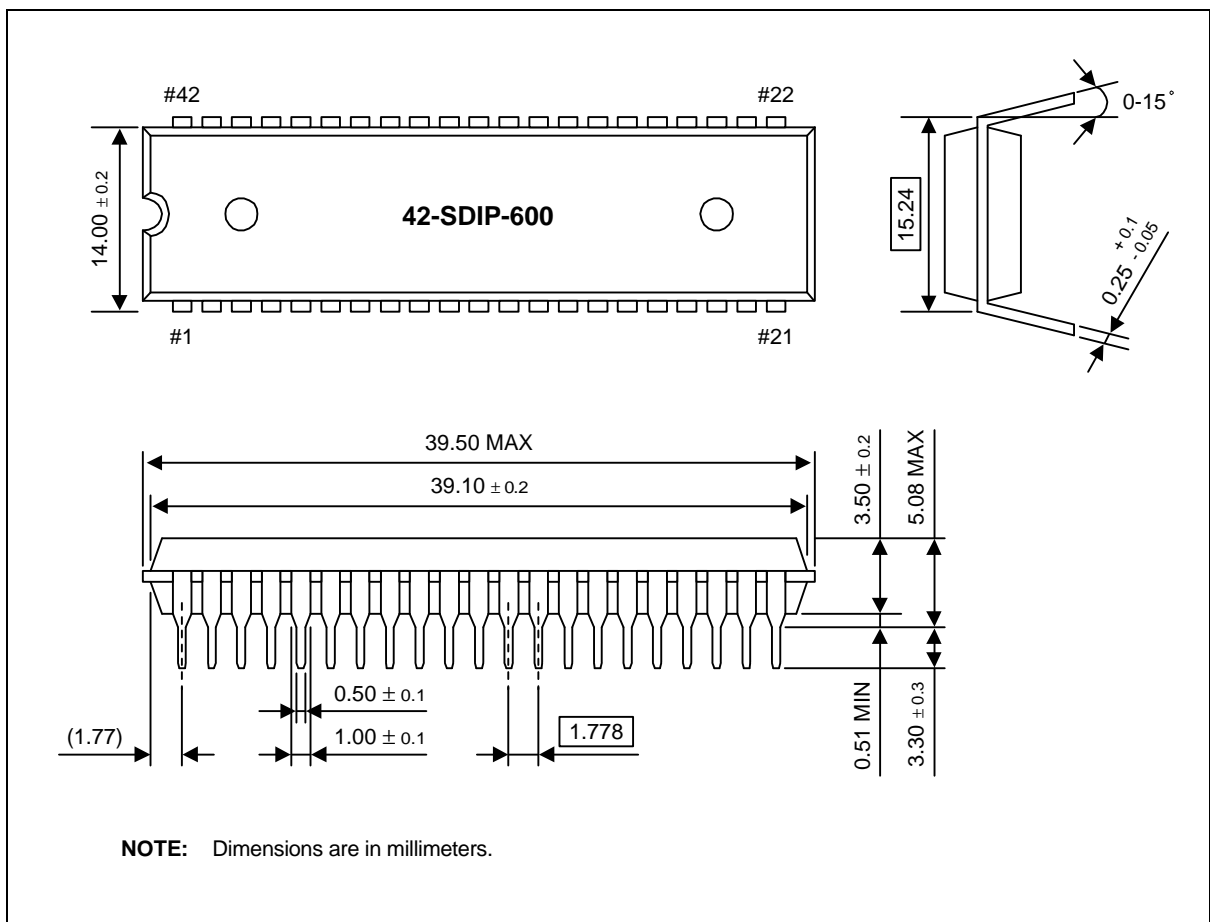


Figure 20-1. 42-Pin SDIP Package Mechanical Data (42-SDIP-600)

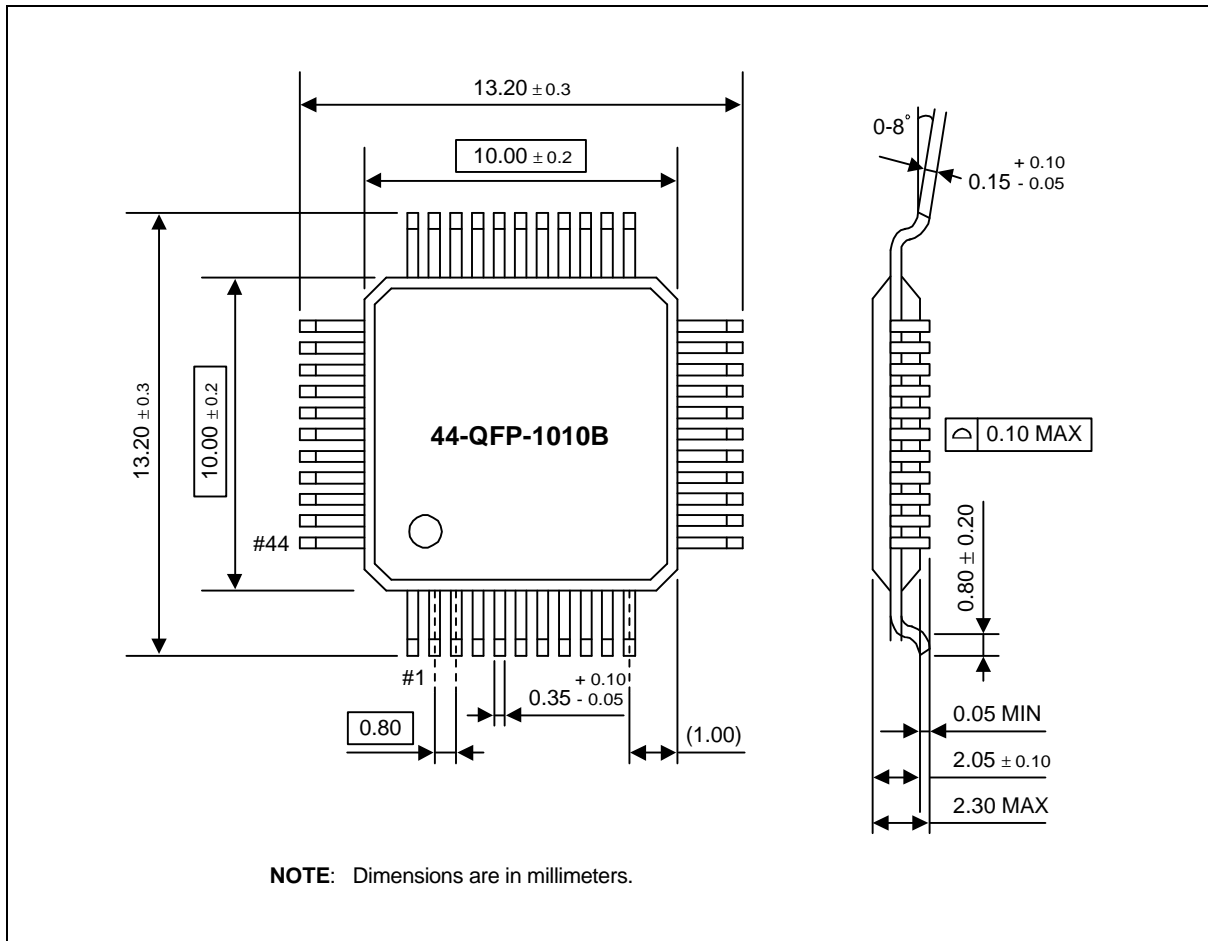


Figure 20-2. 44-Pin QFP Package Mechanical Data (44-QFP-1010B)

# 21

## S3P863A OTP

### OVERVIEW

The S3P863A single-chip CMOS microcontroller is the OTP (One Time Programmable) version of the S3C8639/C863A microcontrollers. It has an on-chip EPROM instead of masked ROM. The EPROM is accessed by serial data format.

The S3P863A is fully compatible with the S3C8639/C863A, both in function and in pin configuration. Because of its simple programming requirements, the S3P863A is ideal for use as an evaluation chip for the S3C8639/C863A.

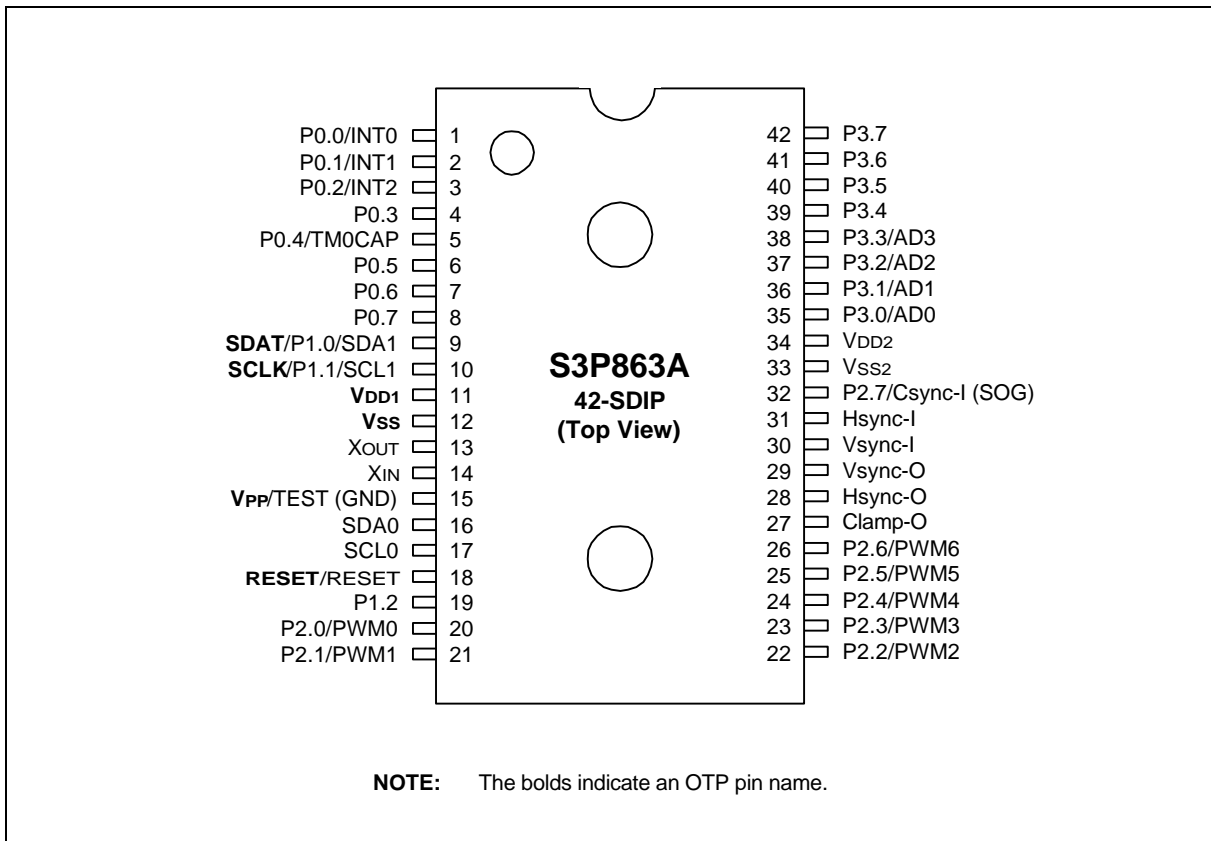


Figure 21-1. S3P863A Pin Assignments (42-SDIP Package)

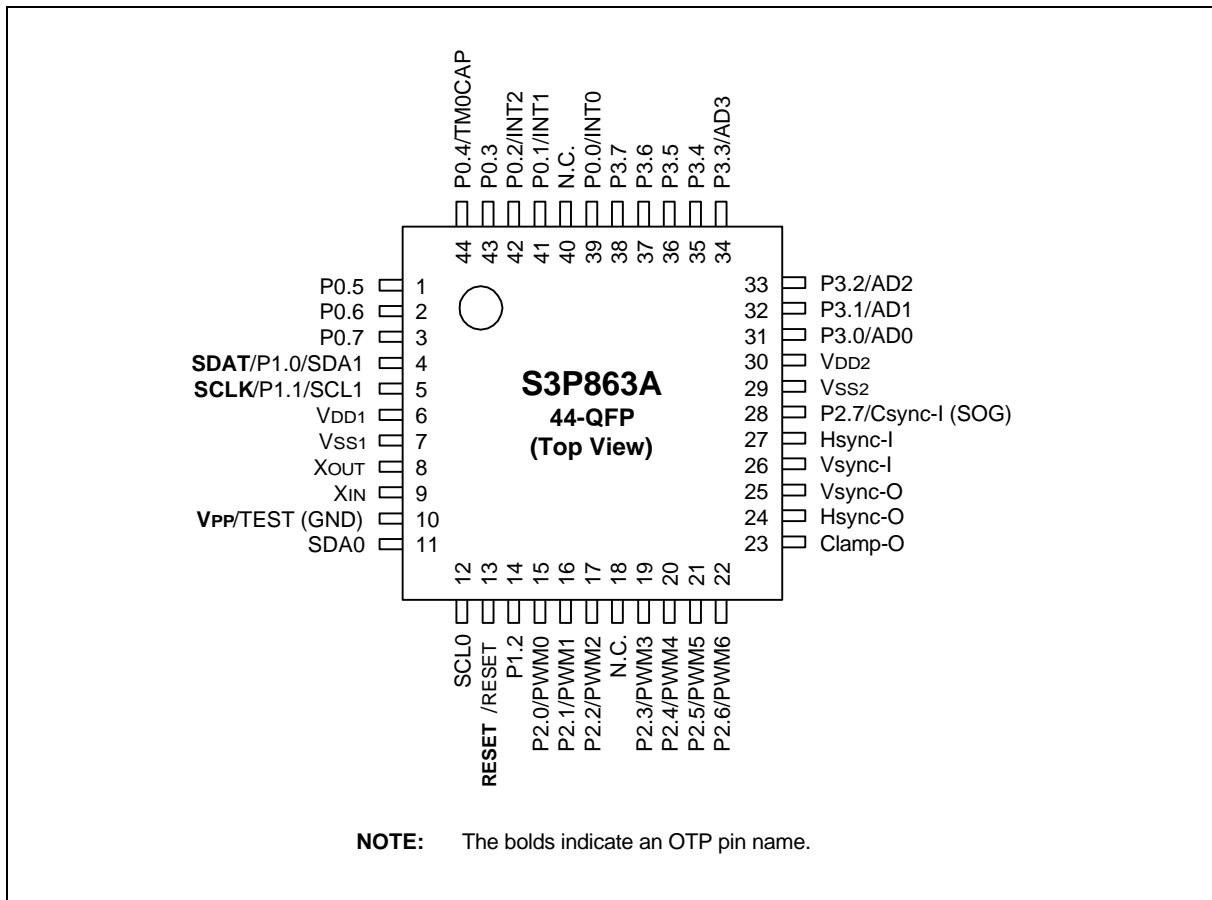


Figure 21-2. S3P863A Pin Assignments (44-QFP Package)

Table 21-1. Descriptions of Pins Used to Read/Write the EPROM

Main Chip	During Programming			
Pin Name	Pin Name	Pin No.	I/O	Function
P1.0	SDAT	9 (4)	I/O	Serial data pin. Output port when reading and input port when writing. Can be assigned as a Input/push-pull output port.
P1.1	SCLK	10 (5)	I	Serial clock pin. Input only pin.
TEST	V <sub>PP</sub> (TEST)	15 (10)	I	Power supply pin for EPROM cell writing (indicates that OTP enters into the writing mode). When 12.5 V is applied, OTP is in writing mode and when 5 V is applied, OTP is in reading mode. (Option)
RESET	RESET	18 (13)	I	Chip Initialization
V <sub>DD1</sub> /V <sub>SS1</sub>	V <sub>DD1</sub> /V <sub>SS1</sub>	11/12 (6/7)	I	Logic power supply pin. V <sub>DD</sub> should be tied to +5 V during programming.

**NOTE:** Parentheses indicate 44-QFP OTP pin number.

Table 21-2. Comparison of S3P863A and S3C8639/C863A Features

Characteristic	S3P863A	S3C8639/C863A
Program Memory	48-Kbyte EPROM	32/48-Kbyte mask ROM
Operating Voltage (V <sub>DD</sub> )	3.0 V to 5.5 V	3.0 V to 5.5V
OTP Programming Mode	V <sub>DD</sub> = 5 V, V <sub>PP</sub> (TEST)=12.5V	
Pin Configuration	42SDIP, 44QFP	42SDIP, 44QFP
EPROM Programmability	User Program 1 time	Programmed at the factory

### OPERATING MODE CHARACTERISTICS

When 12.5 V is supplied to the V<sub>PP</sub>(TEST) pin of the S3P863A, the EPROM programming mode is entered. The operating mode (read, write, or read protection) is selected according to the input signals to the pins listed in Table 21-3 below.

Table 21-3. Operating Mode Selection Criteria

V <sub>DD</sub>	V <sub>PP</sub> (TEST)	REG/MEM	Address (A15–A0)	R/W	Mode
5 V	5 V	0	0000H	1	EPROM read
	12.5 V	0	0000H	0	EPROM program
	12.5 V	0	0000H	1	EPROM verify
	12.5 V	1	0E3FH	0	EPROM read protection

**NOTE:** "0" means Low level; "1" means High level.

## D.C. ELECTRICAL CHARACTERISTICS

Table 21-4. D.C. Electrical Characteristics

(T<sub>A</sub> = -40 °C to +85 °C, V<sub>DD</sub> = 3.0 V to 5.5 V)

Parameter	Symbol	Conditions	Min	Typ	Max	Unit
Input High leakage current	I <sub>LIH1</sub>	V <sub>IN</sub> = V <sub>DD</sub> All input pins except X <sub>IN</sub> , X <sub>OUT</sub>	-	-	3	μA
	I <sub>LIH2</sub>	V <sub>IN</sub> = V <sub>DD</sub> ; X <sub>OUT</sub> only	-	-	20	
	I <sub>LIH3</sub>	V <sub>IN</sub> = V <sub>DD</sub> ; X <sub>IN</sub> only	2.5	6	20	
Input Low leakage current	I <sub>LIL1</sub>	V <sub>IN</sub> = 0 V; All input pins except X <sub>IN</sub> , X <sub>OUT</sub> , RESET, Hsync-I and Vsync-I	-	-	-3	
	I <sub>LIL2</sub>	V <sub>IN</sub> = 0 V; X <sub>OUT</sub> only	-	-	-20	
	I <sub>LIL3</sub>	V <sub>IN</sub> = 0 V; X <sub>IN</sub> only	-2.5	-6	-20	
Output High leakage current	I <sub>LOH1</sub>	V <sub>OUT</sub> = V <sub>DD</sub>	-	-	3	
Output Low leakage current	I <sub>LOL1</sub>	V <sub>OUT</sub> = 0 V	-	-	-3	
Pull-up resistor	R <sub>U1</sub>	V <sub>IN</sub> = 0 V; V <sub>DD</sub> = 5 V ± 10% Port 3.7-3.4	20	47	80	kΩ
	R <sub>U2</sub>	V <sub>IN</sub> = 0 V; V <sub>DD</sub> = 5 V ± 10% RESET only	150	280	480	
Pull-down resistor	R <sub>D</sub>	V <sub>IN</sub> = 0 V; V <sub>DD</sub> = 5 V ± 10% Hsync-I and Vsync-I	150	300	500	
Supply current (note)	I <sub>DD1</sub>	V <sub>DD</sub> = 5 V ± 10% Operation mode; 12 MHz crystal C1 = C2 = 22pF	-	10	20	mA
	I <sub>DD2</sub>	V <sub>DD</sub> = 5 V ± 10% Idle mode; 12 MHz crystal C1 = C2 = 22pF		4	8	
	I <sub>DD3</sub>	V <sub>DD</sub> = 5 V ± 10% Stop mode		100	150	μA

**NOTE:** Supply current does not include drawn internal pull-up/pull-down resistors and external loads of output.