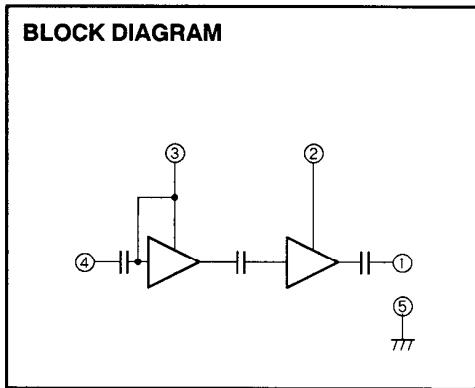
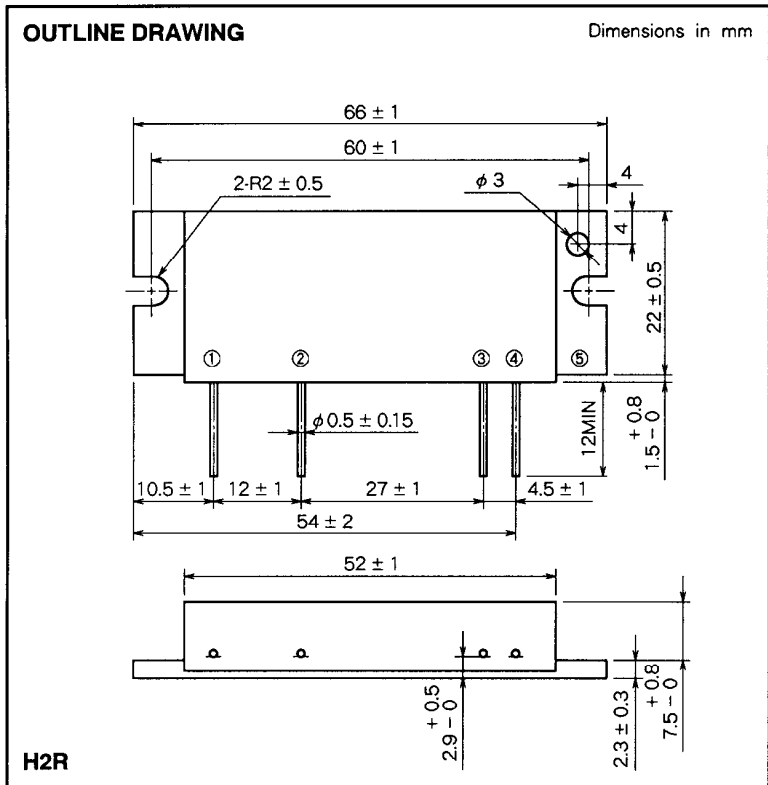


M57715R

144-148MHz, 12.5V, 13W, FM MOBILE RADIO



PIN :
 ①Po : RF OUTPUT
 ②Vcc2 : 2nd. DC SUPPLY
 ③Vcc1 : 1st. DC SUPPLY
 ④Pin : RF INPUT
 ⑤GND : FIN

ABSOLUTE MAXIMUM RATINGS (Tc = 25°C unless otherwise noted)

Symbol	Parameter	Conditions	Ratings	Unit
Vcc	Supply voltage		17	V
Icc	Total current		5	A
Pin(max)	Input power	ZG = ZL = 50 Ω	0.4	W
Po(max)	Output power	ZG = ZL = 50 Ω	20	W
Tc(OP)	Operation case temperature		- 30 to 110	°C
Tstg	Storage temperature		- 40 to 110	°C

Note. Above parameters are guaranteed independently.

ELECTRICAL CHARACTERISTICS (Tc = 25°C unless otherwise noted)

Symbol	Parameter	Test conditions	Limits		Unit
			Min	Max	
f	Frequency range		144	148	MHz
Po	Output power		13		W
ηT	Total efficiency	Pin = 0.2W Vcc = 12.5V	48		%
2fo	2nd. harmonic	ZG = ZL = 50 Ω		- 25	dBc
3fo	3rd. harmonic			- 30	dBc
ρin	Input VSWR			2.8	-
-	Load VSWR tolerance	Vcc = 15.2V, Po = 14W (Pin : controlled) Load VSWR=20:1 (All phase), 2sec. ZG = 50Ω	No degradation or destroy		-

Note. Above parameters, ratings, limits and conditions are subject to change.