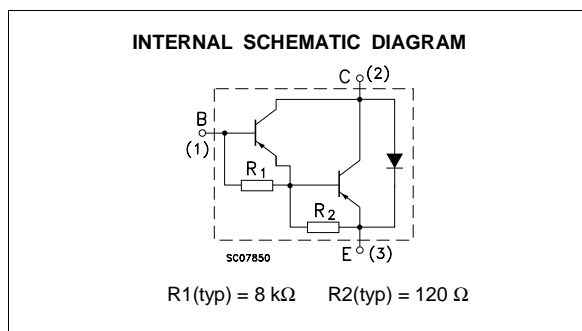
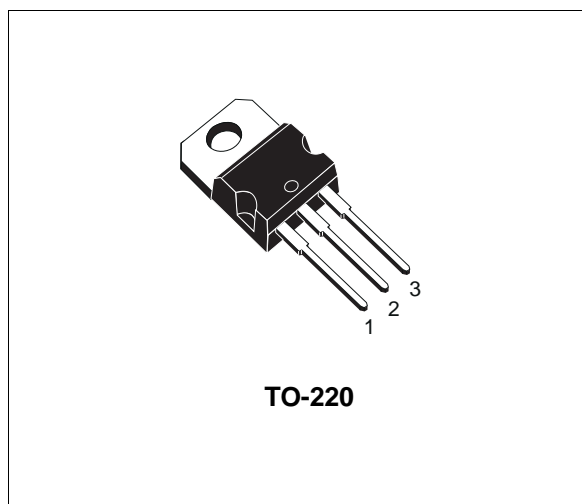


## SILICON PNP POWER DARLINGTON TRANSISTOR

- SGS-THOMSON PREFERRED SALESTYPE
- PNP DARLINGTON
- INTEGRATED ANTIPARALLEL COLLECTOR-EMITTER DIODE

**APPLICATIONS:**

- GENERAL PURPOSE SWITCHING
- GENERAL PURPOSE SWITCHING AND AMPLIFIER


**ABSOLUTE MAXIMUM RATINGS**

Symbol	Parameter	Value	Unit
$V_{CB0}$	Collector-Base Voltage ( $I_E = 0$ )	80	V
$V_{CEO}$	Collector-Emitter Voltage ( $I_B = 0$ )	80	V
$V_{EBO}$	Emitter-Base Voltage ( $I_C = 0$ )	5	V
$I_C$	Collector Current	10	A
$I_{CM}$	Collector Peak Current	15	A
$I_B$	Base Current	250	mA
$P_{tot}$	Total Dissipation at $T_c \leq 25^\circ\text{C}$	65	W
$T_{stg}$	Storage Temperature	-65 to 150	$^\circ\text{C}$
$T_j$	Max. Operating Junction Temperature	150	$^\circ\text{C}$

For PNP type voltage and current values are negative.

## THERMAL DATA

$R_{thj-case}$	Thermal Resistance Junction-case	Max	1.92	$^{\circ}C/W$
$R_{thj-amb}$	Thermal Resistance Junction-ambient	Max	62.5	$^{\circ}C/W$

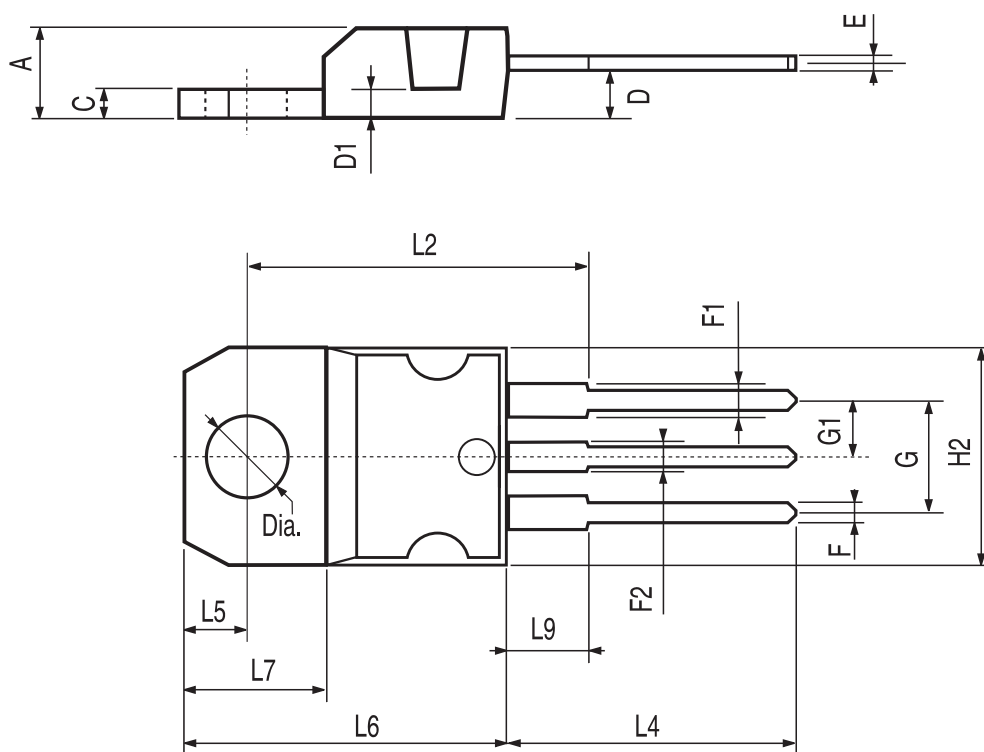
ELECTRICAL CHARACTERISTICS ( $T_{case} = 25^{\circ}C$  unless otherwise specified)

Symbol	Parameter	Test Conditions	Min.	Typ.	Max.	Unit
$I_{CEO}$	Collector Cut-off Current ( $I_B = 0$ )	$V_{CE} = 80 V$			1	mA
$I_{EBO}$	Emitter Cut-off Current ( $I_C = 0$ )	$V_{EB} = 5 V$			5	mA
$I_{CEV}$	Collector Cut-off Current ( $V_{EB} = -1.5V$ )	$V_{CE} = 80 V$			300	$\mu A$
$V_{CEO(sus)}^*$	Collector-Emitter Sustaining Voltage ( $I_B=0$ )	$I_C = 200 mA$	80			V
$V_{CE(sat)}^*$	Collector-Emitter Saturation Voltage	$I_C = 5 A$ $I_B = 0.01 A$			2	V
		$I_C = 10 A$ $I_B = 0.1 A$			3	V
$V_{BE(sat)}^*$	Base-Emitter Saturation Voltage	$I_C = 5 A$ $I_B = 0.01 A$			2.8	V
		$I_C = 10 A$ $I_B = 0.1 A$			4.5	V
$h_{FE}^*$	DC Current Gain	$I_C = 5 A$ $V_{CE} = 3 V$	1000		20000	
		$I_C = 10 A$ $V_{CE} = 3 V$	100			

\* Pulsed: Pulse duration = 300  $\mu s$ , duty cycle 1.5 %  
For PNP type voltage and current values are negative.

## TO-220 MECHANICAL DATA

DIM.	mm			inch		
	MIN.	TYP.	MAX.	MIN.	TYP.	MAX.
A	4.40		4.60	0.173		0.181
C	1.23		1.32	0.048		0.051
D	2.40		2.72	0.094		0.107
D1		1.27			0.050	
E	0.49		0.70	0.019		0.027
F	0.61		0.88	0.024		0.034
F1	1.14		1.70	0.044		0.067
F2	1.14		1.70	0.044		0.067
G	4.95		5.15	0.194		0.203
G1	2.4		2.7	0.094		0.106
H2	10.0		10.40	0.393		0.409
L2		16.4			0.645	
L4	13.0		14.0	0.511		0.551
L5	2.65		2.95	0.104		0.116
L6	15.25		15.75	0.600		0.620
L7	6.2		6.6	0.244		0.260
L9	3.5		3.93	0.137		0.154
DIA.	3.75		3.85	0.147		0.151



P011C

Information furnished is believed to be accurate and reliable. However, SGS-THOMSON Microelectronics assumes no responsibility for the consequences of use of such information nor for any infringement of patents or other rights of third parties which may result from its use. No license is granted by implication or otherwise under any patent or patent rights of SGS-THOMSON Microelectronics. Specifications mentioned in this publication are subject to change without notice. This publication supersedes and replaces all information previously supplied. SGS-THOMSON Microelectronics products are not authorized for use as critical components in life support devices or systems without express written approval of SGS-THOMSON Microelectronics.

© 1997 SGS-THOMSON Microelectronics - Printed in Italy - All Rights Reserved

SGS-THOMSON Microelectronics GROUP OF COMPANIES  
Australia - Brazil - Canada - China - France - Germany - Hong Kong - Italy - Japan - Korea - Malaysia - Malta - Morocco - The Netherlands -  
Singapore - Spain - Sweden - Switzerland - Taiwan - Thailand - United Kingdom - U.S.A  
...