

**Features**

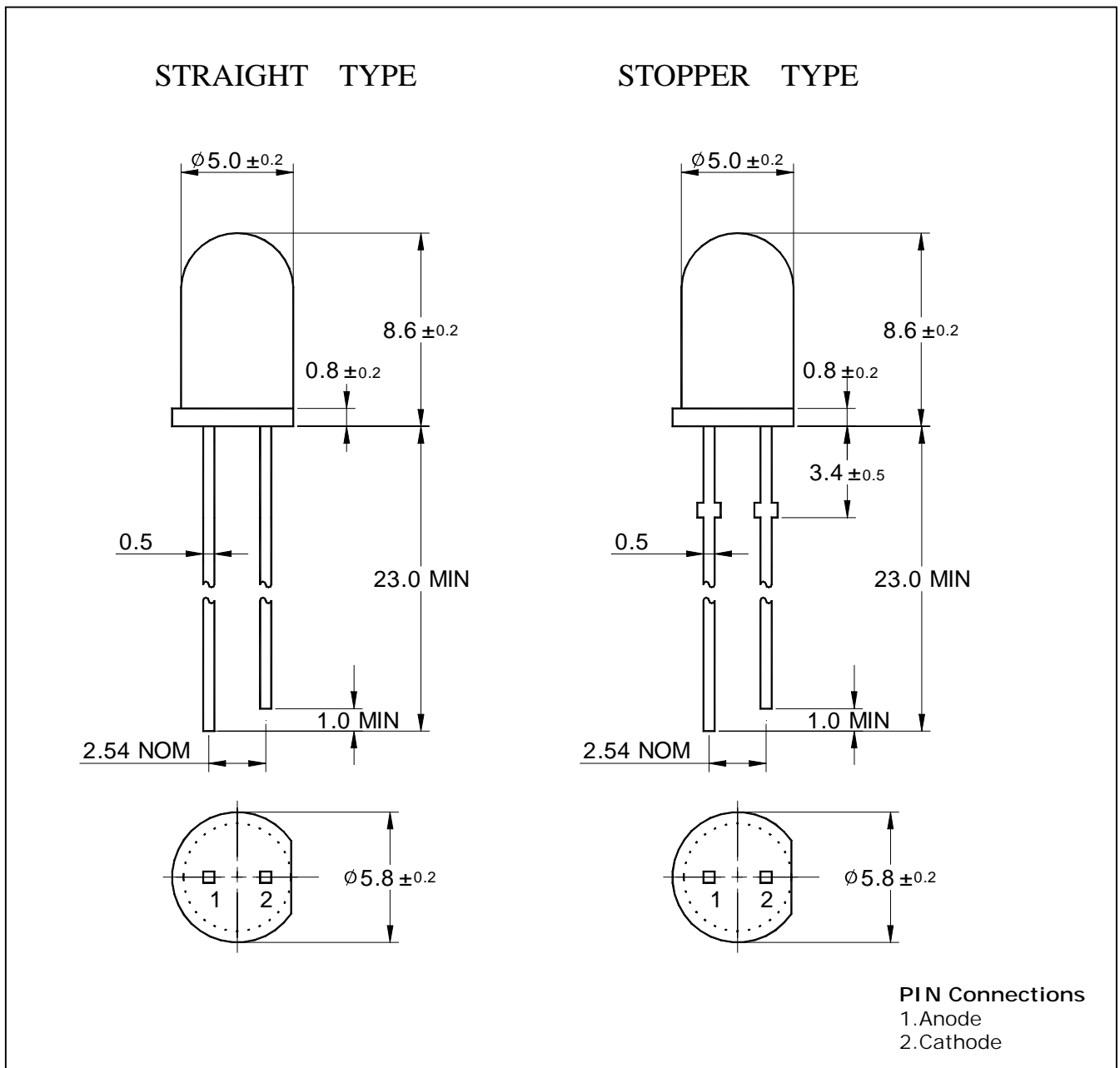
- Colorless transparency lens type
- $\phi 5\text{mm}$ (T-13/4) all plastic mold type
- Low power consumption
- High radiant intensity

**Applications**

- Infrared remote control and free air transmission systems with low forward voltage and comfortable radiation angle requirements in combination with PIN photodiodes or phototransistors.

**Outline Dimensions**

**unit : mm**



**Absolute maximum ratings**

Characteristic	Symbol	Ratings	Unit
Power Dissipation	$P_D$	150	mW
Forward Current	$I_F$	100	mA
* <sup>1</sup> Peak Forward Current	$I_{FP}$	1	A
Reverse Voltage	$V_R$	4	V
Operating Temperature	$T_{opr}$	-25 85	
Storage Temperature	$T_{stg}$	-30 100	
* <sup>2</sup> Soldering Temperature	$T_{sol}$	260 for 5 seconds	

\*1. Duty ratio = 1/16, Pulse width = 0.1ms

\*2. Keep the distance more than 2.0mm from PCB to the bottom of IRED package

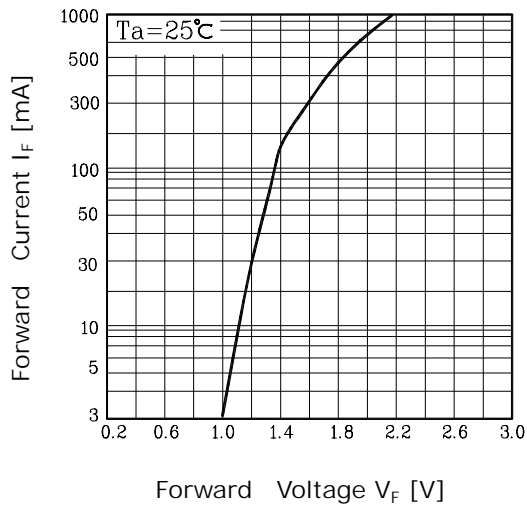
**Electrical Characteristics**

Characteristic	Symbol	Test Condition	Min.	Typ.	Max.	Unit
Forward Voltage	$V_F$	$I_F = 50\text{mA}$	-	1.3	1.7	V
Radiant Intensity	$I_E$	$I_F = 50\text{mA}$	20	40	-	mW/Sr
Peak Wavelength	$\lambda_P$	$I_F = 50\text{mA}$	-	950	-	nm
Spectrum Bandwidth		$I_F = 50\text{mA}$	-	50	-	nm
Reverse Current	$I_R$	$V_R = 4\text{V}$	-	-	10	$\mu\text{A}$
* <sup>3</sup> Half angle	$\theta^{1/2}$	$I_F = 50\text{mA}$	-	$\pm 20$	-	deg

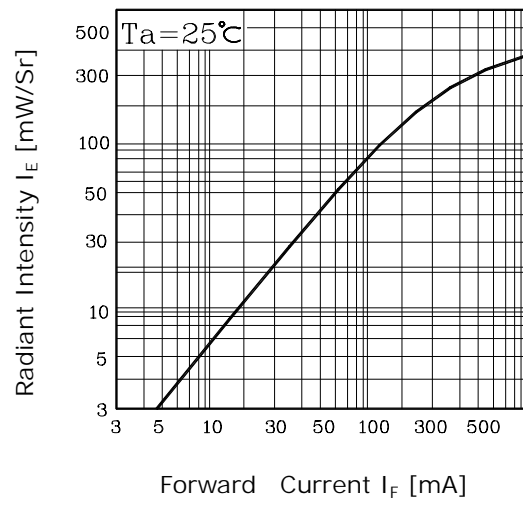
\*3.  $\theta^{1/2}$  is the off-axis angle where the luminous intensity is 1/2 the peak intensity

## Characteristic Diagrams

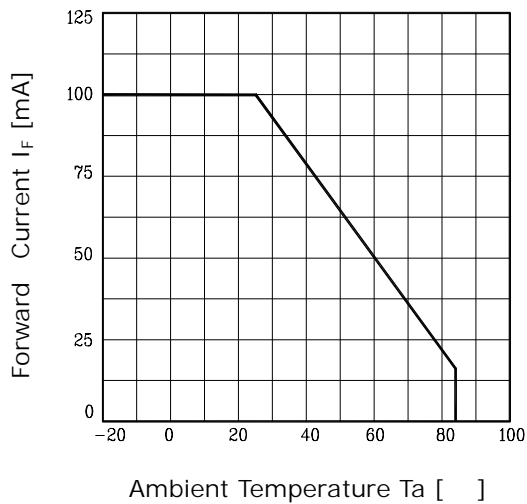
**Fig. 1  $I_F - V_F$**



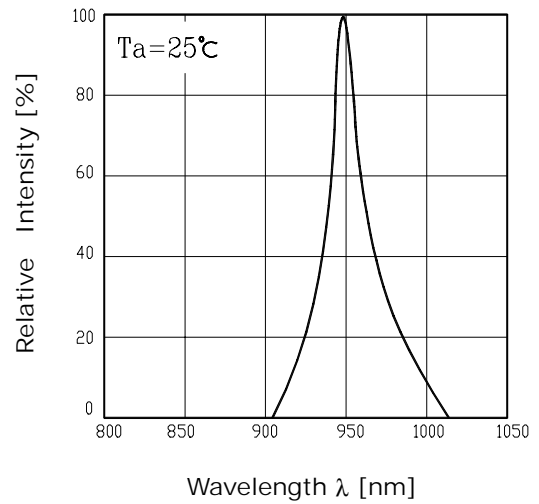
**Fig. 2  $I_E - I_F$**



**Fig. 3  $I_F - T_a$**



**Fig. 4 Spectrum Distribution**



**Fig. 5 Radiation Diagram**

