

# MAXIM

## 10-Bit, 10MSPS ADC

MAX1426

### General Description

The MAX1426 10-bit, monolithic analog-to-digital converter (ADC) is capable of a 10MSPS sampling rate. This device features an internal track-and-hold (T/H) amplifier for excellent dynamic performance; at the same time, it minimizes the number of external components. Low input capacitance of only 8pF minimizes input drive requirements. A wide input bandwidth (up to 150MHz) makes this device suitable for digital RF/IF downconverter applications employing undersampling techniques.

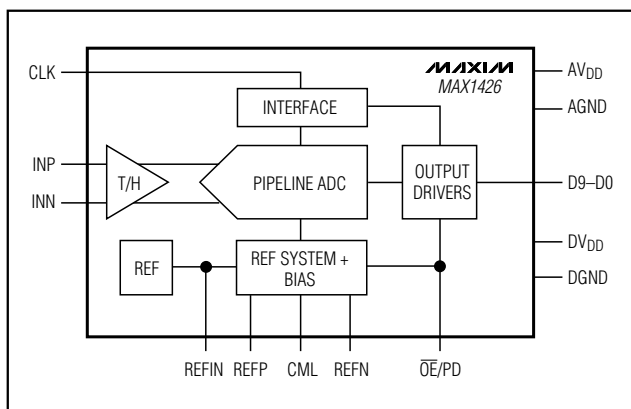
The MAX1426 employs a differential pipelined architecture with a wideband T/H amplifier to maximize throughput while limiting power consumption to only 156mW. The MAX1426 generates an internal +2.5V reference that supplies three additional reference voltages (+3.25V, +2.25V, and +1.25V). These reference voltages provide a differential input range of +2V to -2V. The analog inputs are biased internally to correct the DC level, eliminating the need for external biasing on AC-coupled applications.

A separate +3V digital logic supply input allows for separation of digital and analog circuitry. The output data is in two's complement format. The MAX1426 is available in the space-saving 28-pin SSOP package. For a pin-compatible version at a higher data rate, refer to the MAX1424 or MAX1425

### Applications

Medical Ultrasound Imaging  
 CCD Pixel Processing  
 IR Focal Plane Array  
 Radar  
 IF and Baseband Digitization  
 Set-Top Boxes

### Functional Diagram



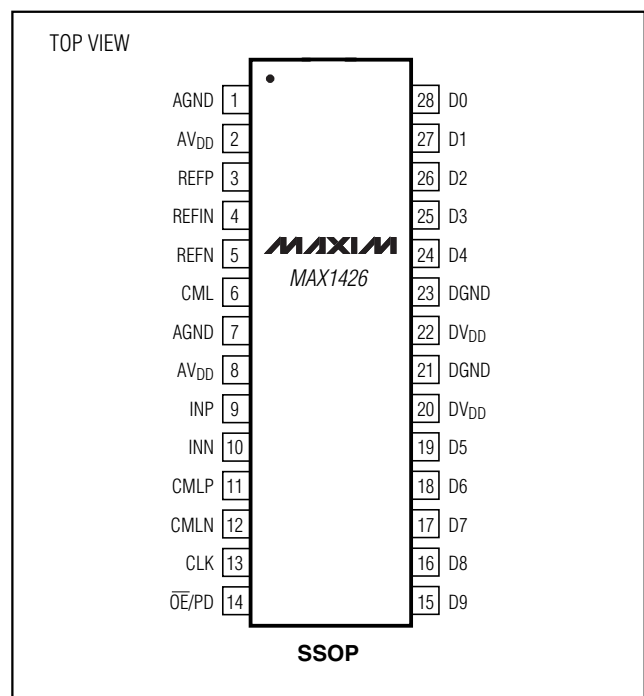
### Features

- ◆ Differential Inputs for High Common-Mode Noise Rejection
- ◆ 61dB Signal-to-Noise Ratio (at  $f_{IN} = 2\text{MHz}$ )
- ◆ Internal +2.5V Reference
- ◆ 150MHz Input Bandwidth
- ◆ Wide  $\pm 2\text{V}$  Input Range
- ◆ Low Power Consumption: 156mW
- ◆ Separate Digital Supply Input for 3V Logic Compatibility
- ◆ Single +5V Operation Possible

### Ordering Information

PART	TEMP. RANGE	PIN-PACKAGE
MAX1426CAI	0°C to +70°C	28 SSOP
MAX1426EAI	-40°C to +85°C	28 SSOP

### Pin Configuration



MAXIM

Maxim Integrated Products 1

For free samples and the latest literature, visit [www.maxim-ic.com](http://www.maxim-ic.com) or phone 1-800-998-8800.  
 For small orders, phone 1-800-835-8769.

# 10-Bit, 10Msps ADC

## ABSOLUTE MAXIMUM RATINGS

AV <sub>DD</sub> to AGND .....	-0.3V to +6V	Continuous Power Dissipation (T <sub>A</sub> = +70°C)
DV <sub>DD</sub> to DGND .....	-0.3V to +6V	28-Pin SSOP (derated 9.5mW/°C above +70°C) .....
AV <sub>DD</sub> to DGND .....	-0.3V to +6V	Operating Temperature Ranges
DGND to AGND .....	±0.3V	MAX1426CAI .....
REFP, REFIN, REFN, CMLN, CMLP, CML, INP, INN .....	(V <sub>AGND</sub> - 0.3V) to (V <sub>AV<sub>DD</sub></sub> + 0.3V)	MAX1426EAI .....
CLK, $\overline{OE}/\overline{PD}$ , D0–D9 .....	(V <sub>DGND</sub> - 0.3V) to (V <sub>DV<sub>DD</sub></sub> + 0.3V)	Maximum Junction Temperature .....
		Storage Temperature Range .....
		Lead Temperature (soldering, 10s) .....

Stresses beyond those listed under "Absolute Maximum Ratings" may cause permanent damage to the device. These are stress ratings only, and functional operation of the device at these or any other conditions beyond those indicated in the operational sections of the specifications is not implied. Exposure to absolute maximum rating conditions for extended periods may affect device reliability.

## ELECTRICAL CHARACTERISTICS

(V<sub>AV<sub>DD</sub></sub> = V<sub>CMLP</sub> = +5V, V<sub>DV<sub>DD</sub></sub> = +3.3V, V<sub>CMLN</sub> = V<sub>AGND</sub> = V<sub>DGND</sub> = 0, internal reference, digital output loading 35pF, f<sub>CLK</sub> = 10MHz (50% duty cycle), T<sub>A</sub> = T<sub>MIN</sub> to T<sub>MAX</sub>, unless otherwise noted. Typical values are at T<sub>A</sub> = +25°C.)

PARAMETER	SYMBOL	CONDITIONS	MIN	TYP	MAX	UNITS
<b>ACCURACY</b>						
Resolution	RES			10		Bits
Differential Nonlinearity	DNL		-1		1	LSB
Integral Nonlinearity	INL		-1.5	±0.3	1.5	LSB
No Missing Codes		Guaranteed monotonic				
Midscale Offset	MSO	(Note 1)	-3	±1.0	3	%FSR
Gain Error	GE	Internal reference (Note 1)	-10	±5	10	%FSR
		External reference (REFIN) (Note 2)	-5	±2	5	
		External reference (REFP, CML, REFN) (Note 3)	-5	±3	5	
Power-Supply Rejection Ratio	PSRR	(Note 4)	-5	±2	+5	mV/V
<b>DYNAMIC PERFORMANCE</b> (V <sub>INP</sub> - V <sub>INN</sub> = +2V to -2V)						
Signal-to-Noise Ratio	SNR	f = 2MHz	60	61		dB
Spurious-Free Dynamic Range	SFDR	f = 2MHz	69	72		dB
Total Harmonic Distortion (first five harmonics)	THD	f = 2MHz		-70	-67	dB
Signal-to-Noise and Distortion	SINAD	f = 2MHz	58	60		dB

# 10-Bit, 10Msps ADC

MAX1426

## ELECTRICAL CHARACTERISTICS (continued)

( $V_{AVDD} = V_{CMLP} = +5V$ ,  $V_{DVDD} = +3.3V$ ,  $V_{CMLN} = V_{AGND} = V_{DGND} = 0$ , internal reference, digital output loading 35pF,  $f_{CLK} = 10MHz$  (50% duty cycle),  $T_A = T_{MIN}$  to  $T_{MAX}$ , unless otherwise noted. Typical values are at  $T_A = +25^\circ C$ .)

PARAMETER	SYMBOL	CONDITIONS	MIN	TYP	MAX	UNITS
Effective Number of Bits	ENOB	f = 2MHz	9.3	9.7		Bits
Intermodulation Distortion	IMD	f1 = 1.98MHz, f2 = 2.00MHz (-7dB FS, each tone) (Note 5)		-70		dBc
<b>ANALOG INPUT</b> (INP, INN, CML)						
Input Resistance	$R_{IN}$	Either input to ground	3.5			k $\Omega$
Input Capacitance	$C_{IN}$	Either input to ground		8		pF
Input Common-Mode Voltage Range	$V_{CMVR}$	CML (Note 6)		2.25 $\pm 10\%$		V
Differential Input Range	DR	$V_{INP} - V_{INN}$		$\pm 2$		V
Small-Signal Bandwidth	SSBW	(Note 7)		400		MHz
Large-Signal Bandwidth	LSBW	(Note 7)		150		MHz
<b>REFERENCE</b> ( $V_{REFIN} = 0$ ; REFP, REFN, CML applied externally)						
Input Resistance	$R_{IN}$	REFIN (Note 8)	6.5			k $\Omega$
Input Capacitance	$C_{IN}$	REFIN		10		pF
Differential Reference		$V_{REFP} - V_{REFN}$		2.0		V
Input Current	$I_{IN}$	REFP, CML, REFN	-325		+325	$\mu A$
Input Capacitance	$C_{IN}$	REFP, CML, REFN		15		pF
REFP Input Range				3.25 $\pm 10\%$		V
CML Input Range				2.25 $\pm 10\%$		V
REFN Input Range				1.25 $\pm 10\%$		V
<b>REFERENCE OUTPUTS</b> (REFP, CML, REFN; external +2.5V reference)						
Positive Reference Voltage	$V_{REFP}$			3.25		V
Common-Mode Reference Voltage	$V_{CML}$			2.25		V
Negative Reference Input Voltage	$V_{REFN}$			1.25		V
Differential Reference		$V_{REFP} - V_{REFN}$ , $T_A = +25^\circ C$	1.9	2.0	2.1	V
Differential Reference Temperature Coefficient				$\pm 50$		ppm/ $^\circ C$

# 10-Bit, 10Msps ADC

## ELECTRICAL CHARACTERISTICS (continued)

( $V_{AVDD} = V_{CMLP} = +5V$ ,  $V_{DVDD} = +3.3V$ ,  $V_{CMLN} = V_{AGND} = V_{DGND} = 0$ , internal reference, digital output loading 35pF,  $f_{CLK} = 10MHz$  (50% duty cycle),  $T_A = T_{MIN}$  to  $T_{MAX}$ , unless otherwise noted. Typical values are at  $T_A = +25^\circ C$ .)

PARAMETER	SYMBOL	CONDITIONS	MIN	TYP	MAX	UNITS
<b>REFERENCE OUTPUT</b> (REFP, CML, REFN; internal +2.5V reference)						
Positive Reference	$V_{REFP}$	(Note 1)		3.25		V
Common-Mode Reference Voltage	$V_{CML}$	(Note 1)		2.25		V
Negative Reference	$V_{REFN}$	(Note 1)		1.25		V
Differential Reference		$V_{REFP} - V_{REFN}$ , $T_A = +25^\circ C$	1.8	2	2.2	V
Differential Reference Temperature Coefficient				$\pm 150$		ppm/ $^\circ C$
<b>POWER SUPPLY</b>						
Analog Supply Voltage	$V_{AVDD}$		4.75	5.00	5.25	V
Digital Supply Voltage	$V_{DVDD}$		2.7	3.3	5.5	V
Analog Supply Current	$I_{AVDD}$			29	38	mA
Analog Supply Current with Internal Reference in Shutdown		REFIN = AGND		25	35	mA
Analog Shutdown Current		$\overline{OE}/PD = DVDD$		0.6	1	mA
Digital Supply Current	$I_{DVDD}$	$V_{DVDD} = 3.3V$ $V_{DVDD} = 5.0V$		3.3 5.3	6 8	mA
Digital Shutdown Current		$\overline{OE}/PD = DVDD$		40	150	$\mu A$
Power Dissipation	PD			156	210	mW
<b>DIGITAL INPUTS</b> (CLK, $\overline{OE}/PD$ )						
Input Logic High	$V_{IH}$	$V_{DVDD} > 4.75V$	2.4		V	
		$V_{DVDD} < 4.75V$	$0.7 \times V_{DVDD}$			
Input Logic Low	$V_{IL}$	$V_{DVDD} > 4.75V$	0.8		V	
		$V_{DVDD} < 4.75V$	$0.3 \times V_{DVDD}$			
Input Current Leakage		$V_{DVDD} = 5.25V$	$I_{CLK}$	-10	10	$\mu A$
			$I_{\overline{OE}/PD}$	-20	20	$\mu A$
Input Capacitance				10		pF
<b>DIGITAL OUTPUTS</b> (D0–D9)						
Output Logic High	$V_{OH}$	$I_{OH} = -200\mu A$ , $V_{DVDD} = 2.7V$	$V_{DVDD} - 0.5$	$V_{DVDD}$		V
Output Logic Low	$V_{OL}$	$I_{OL} = 200\mu A$ , $V_{DVDD} = 2.7V$		0.5		V
Three-State Leakage		$V_{DVDD} = 5.25V$ , $\overline{OE}/PD = DVDD$	-10		10	$\mu A$
Three-State Capacitance		$\overline{OE}/PD = DVDD$		10		pF

# 10-Bit, 10Msps ADC

MAX1426

## ELECTRICAL CHARACTERISTICS (continued)

( $V_{AVDD} = V_{CMLP} = +5V$ ,  $V_{DVDD} = +3.3V$ ,  $V_{CMLN} = V_{AGND} = V_{DGND} = 0$ , internal reference, digital output loading 35pF,  $f_{CLK} = 10MHz$  (50% duty cycle),  $T_A = T_{MIN}$  to  $T_{MAX}$ , unless otherwise noted. Typical values are at  $T_A = +25^{\circ}C$ .)

PARAMETER	SYMBOL	CONDITIONS	MIN	TYP	MAX	UNITS
<b>TIMING CHARACTERISTICS</b>						
Conversion Rate	CONV		0.1		10	MHz
Clock Frequency	$f_{CLK}$				10	MHz
Clock High	$t_{CH}$	Figure 4	40	50	60	ns
Clock Low	$t_{CL}$	Figure 4	40	50	60	ns
Pipeline Delay (Latency)				5.5		cycles
Aperture Delay	$t_{AD}$			5		ns
Aperture Jitter	$t_{AJ}$			7		ps
Data Output Delay	$t_{OD}$		5	20	25	ns
Bus Enable				10	20	ns
Bus Disable				10	20	ns

**Note 1:** Internal reference, REFIN bypassed to AGND with a 0.1 $\mu$ F capacitor.

**Note 2:** External +2.5V reference applied to REFIN.

**Note 3:** Internal reference disabled.  $V_{REFIN} = 0$ ,  $V_{REFP} = 3.25V$ ,  $V_{CML} = 2.25V$ , and  $V_{REFN} = 1.25V$ .

**Note 4:** Measured as the ratio of the change in midscale offset voltage for a  $\pm 5\%$  change in  $V_{AVDD}$  using the internal reference.

**Note 5:** IMD is measured with respect to either of the fundamental tones.

**Note 6:** Specifies the common-mode range of the differential input signal supplied to the MAX1426.

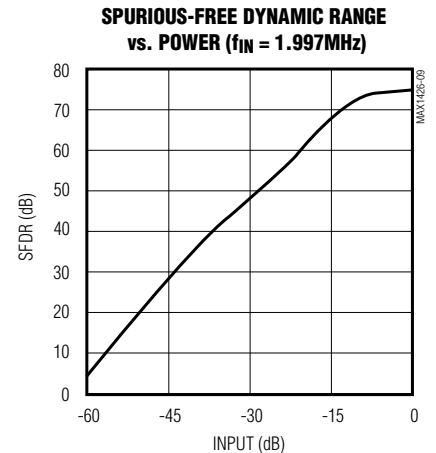
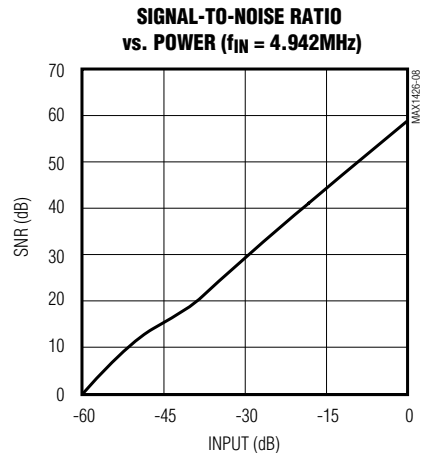
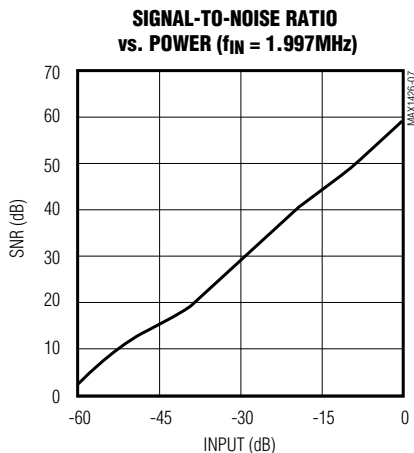
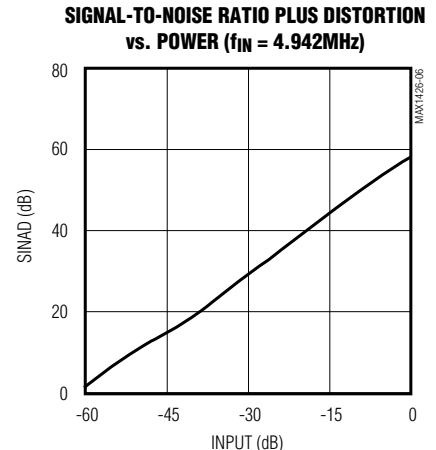
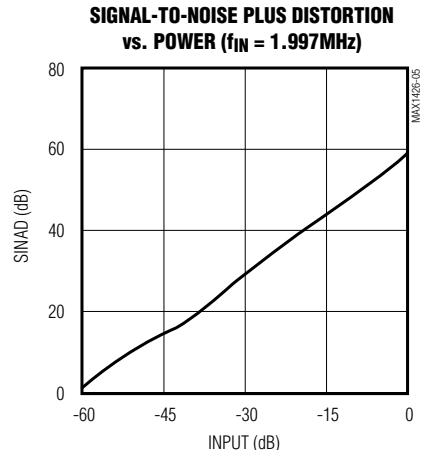
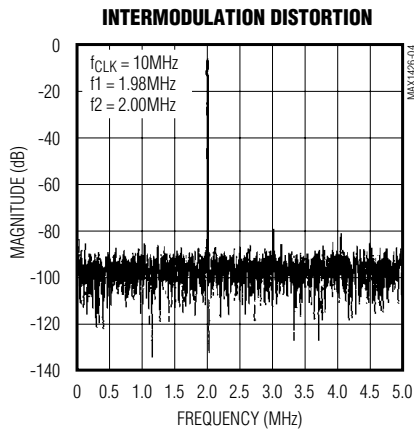
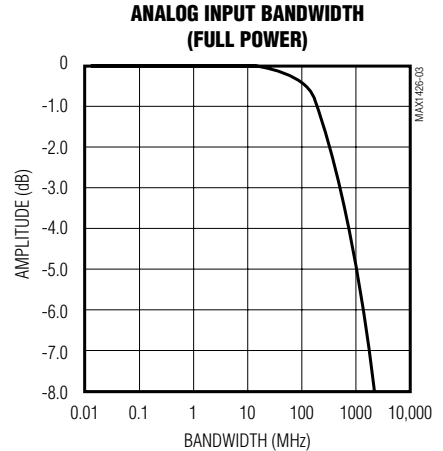
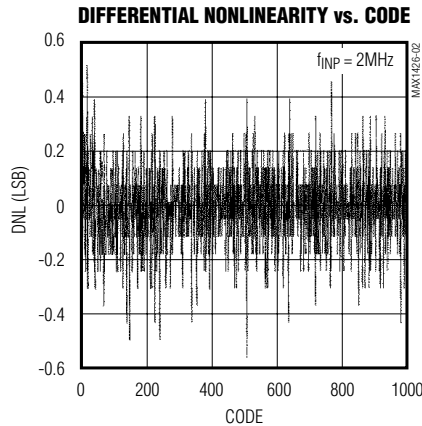
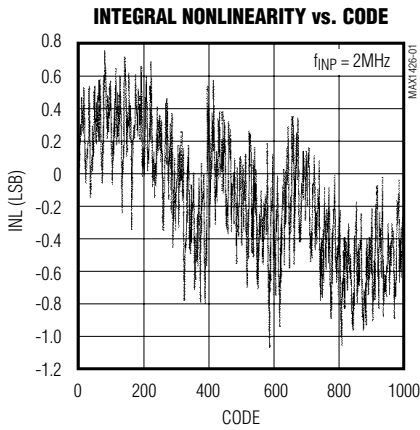
**Note 7:** Defined as the input frequency at which the fundamental component of the output spectrum is attenuated by 3dB.

**Note 8:**  $V_{REFIN}$  is internally biased to +2.5V through a 5k $\Omega$  resistor.

# 10-Bit, 10Mps ADC

## Typical Operating Characteristics

( $V_{AVDD} = V_{CMLP} = +5V$ ,  $V_{DVDD} = +3.3V$ ,  $V_{CMLN} = V_{AGND} = 0$ , internal reference, digital output load = 35pF,  $f_{CLK} = 10MHz$  (50% duty cycle), for dynamic performance 0dB is full scale,  $T_A = +25^\circ C$ , unless otherwise noted.)

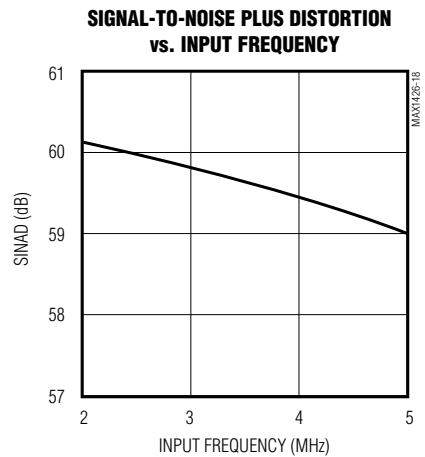
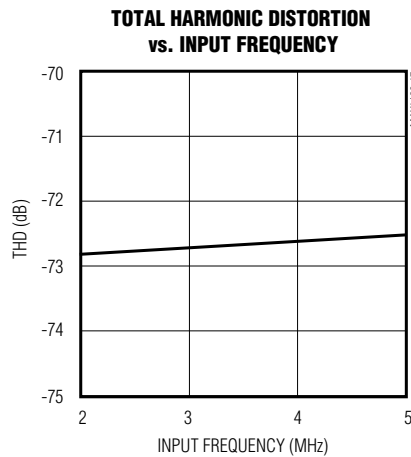
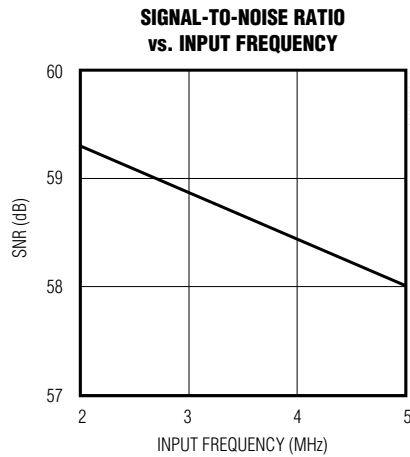
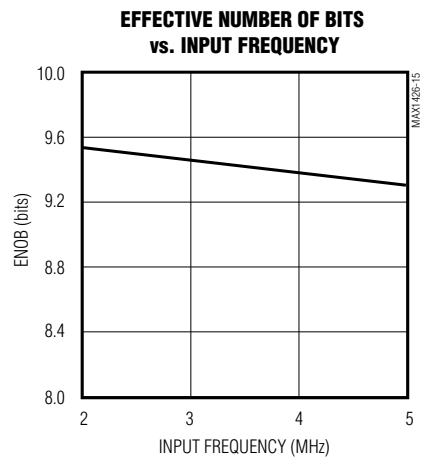
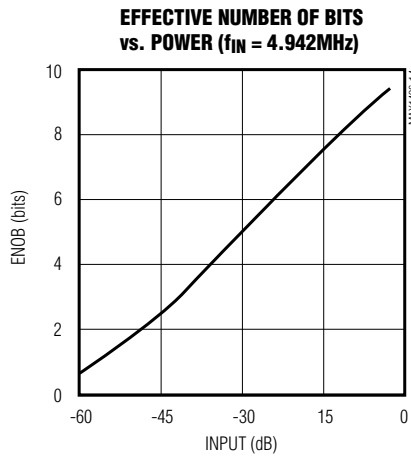
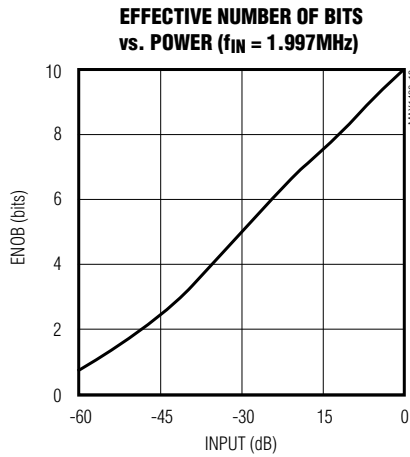
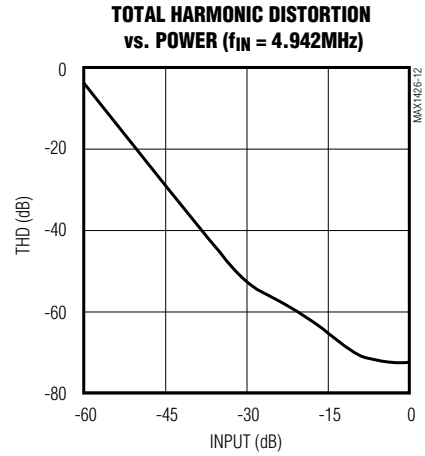
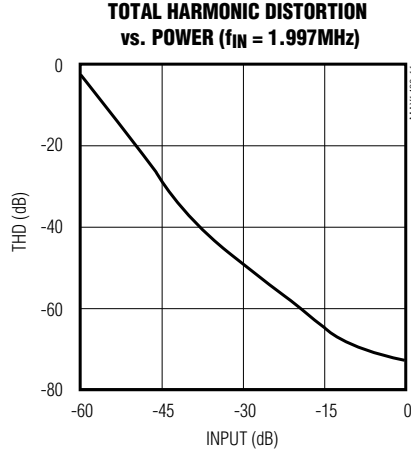
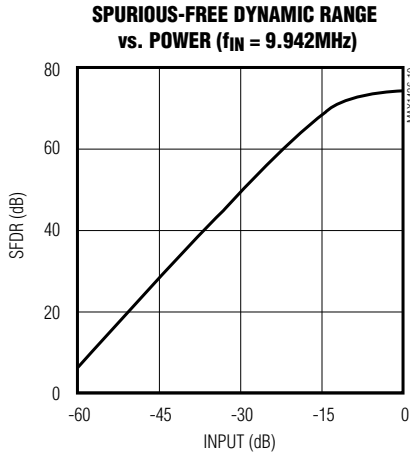


# 10-Bit, 10Msps ADC

MAX1426

## Typical Operating Characteristics (continued)

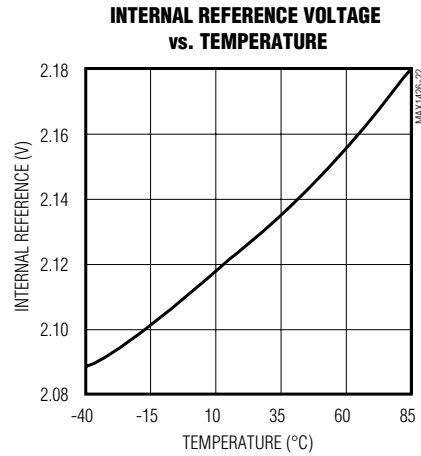
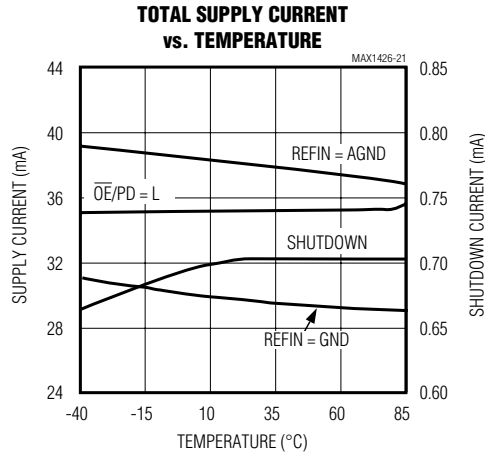
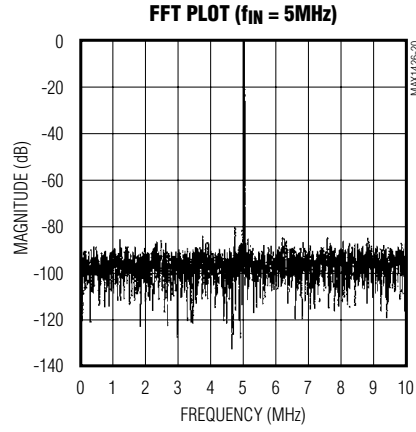
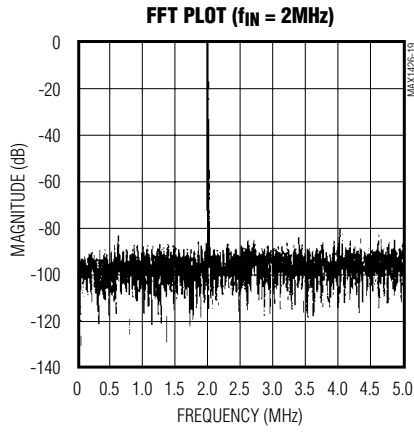
( $V_{AVDD} = V_{CMLP} = +5V$ ,  $V_{DVDD} = +3.3V$ ,  $V_{CMLN} = V_{AGND} = 0$ , internal reference, digital output load = 35pF,  $f_{CLK} = 10MHz$  (50% duty cycle), for dynamic performance 0dB is full scale,  $T_A = +25^\circ C$ , unless otherwise noted.)



# 10-Bit, 10Mps ADC

## Typical Operating Characteristics (continued)

( $V_{AVDD} = V_{CMLP} = +5V$ ,  $V_{DVDD} = +3.3V$ ,  $V_{CMLN} = V_{AGND} = 0$ , internal reference, digital output load = 35pF,  $f_{CLK} = 10MHz$  (50% duty cycle), for dynamic performance 0dB is full scale,  $T_A = +25^\circ C$ , unless otherwise noted.)





# 10-Bit, 10Msps ADC

**MAX1426**

## Pin Description

PIN	NAME	FUNCTION
1, 7	AGND	Analog Ground. Connect all return paths for analog signals to these pins.
2, 8	AVDD	Analog Supply Voltage Input. Bypass with a parallel combination of 2.2 $\mu$ F, 0.1 $\mu$ F, and 100pF capacitors to AGND. Bypass each supply input to the closest AGND (e.g., capacitors between pins 1 and 2).
3	REFP	Positive Reference Output. Bypass to AGND with a 0.1 $\mu$ F capacitor. If the internal reference is disabled, REFP can accept an external voltage.
4	REFIN	External Reference Input. Bypass to AGND with a 0.1 $\mu$ F capacitor. REFIN can be biased externally to adjust the reference level and calibrate full-scale errors. To disable the internal reference, connect REFIN to AGND.
5	REFN	Negative Reference Output. Bypass to AGND with 0.1 $\mu$ F capacitor. REFN can accept an external voltage when the internal reference is disabled (REFN = AGND).
6	CML	Common-Mode Level Input. Bypass to AGND with a 0.1 $\mu$ F capacitor. CML can accept an external voltage when the internal reference is disabled (REFN = AGND).
9	INP	Positive Analog Signal Input
10	INN	Negative Analog Signal Input
11	CMLP	Common-Mode Level Positive Input. For AC applications, connect to AVDD to internally set the input DC bias level. For DC-coupled applications, connect to AGND.
12	CMLN	Common-Mode Level Negative Input. Connect to AGND to internally set the input DC bias level for both AC- and DC-coupled applications.
13	CLK	Clock Input. Clock frequency range from 0.1MHz to 10MHz.
14	$\overline{\text{OE}}/\text{PD}$	Active-Low Output Enable and Power-Down Input. Digital outputs become high impedance and device enters low-power mode when pin is high.
15	D9	Digital Data Output (MSB)
16–19	D8–D5	Digital Data Outputs 8–5
20, 22	DVDD	Digital Supply Voltage Input. Bypass with 2.2 $\mu$ F and 0.1 $\mu$ F capacitors in parallel. Digital supply can operate with voltages as low as +2.7V.
21, 23	DGND	Digital Ground
24–27	D4–D1	Digital Data Outputs 4–1
28	D0	Digital Data Output (LSB)

# 10-Bit, 10MSPS ADC

## Detailed Description

The MAX1426 uses a 10-stage, fully differential, pipelined architecture (Figure 1) that allows for high-speed conversion while minimizing power consumption. Each sample moves through a pipeline stage every half clock cycle. Counting the delay through the output latch, there is a 5.5 clock-cycle latency.

A 2-bit flash ADC converts the input voltage to digital code. A DAC converts the ADC result back into an analog voltage, which is subtracted from the held input signal. The resulting error signal is then multiplied by two, and this product is passed along to the next pipeline stage where the process is repeated. Digital error correction compensates for offsets and mismatches in each pipeline stage and ensures no missing codes.

### Internal Track-and-Hold Circuit

Figure 2 shows a simplified functional diagram of the internal track-and-hold (T/H) circuit in both track mode and hold mode. The fully differential circuit samples the input signal onto the four capacitors C1a, C1b, C2a, and C2b. Switches S2a and S2b set the common mode for the amplifier input, and open before S1. When S1 opens, the input is sampled. Switches S3a and S3b then connect capacitors C1a and C1b to the output of the amplifier. Capacitors C2a and C2b are connected either to REFN, REFP, or each other, depending on the results of the flash ADC. The amplifier then multiplies

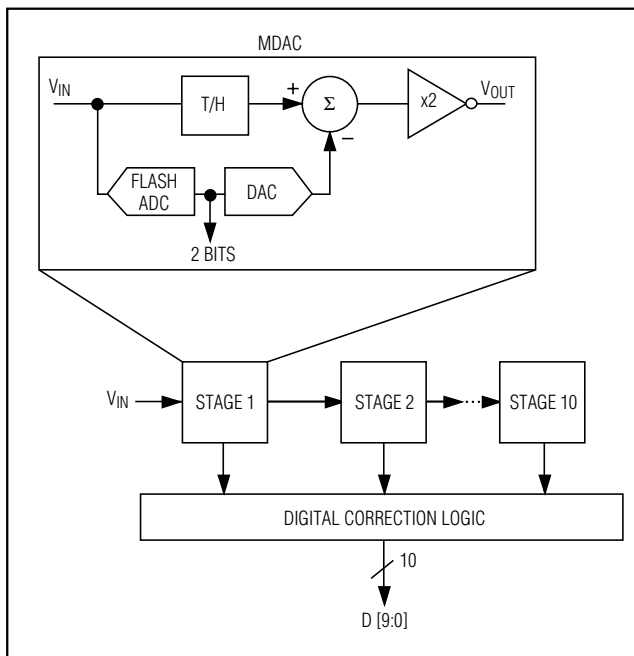


Figure 1. Pipelined A/D Architecture (Block)

the residue by two and the next stage in the pipeline performs a similar operation.

### System Timing Requirements

Figure 3 shows the relationship between the clock input, analog input, and data output. The MAX1426 samples the falling edge of the input clock. Output data is valid on the rising edge of the input clock. The output data has an internal latency of 5.5 clock cycles, as shown. Figure 4 shows an output timing diagram that specifies the relationship between the input clock parameters and the valid output data.

### Analog Input and Internal Reference

The MAX1426 has an internal +2.5V reference used to generate three reference levels: +3.25V, +2.25V, and +1.25V corresponding to VREFP, VCML, and VREFN. These reference voltages enable a ±2V input range. Bypass all reference voltages with a 0.1μF capacitor.

The MAX1426 allows for three modes of reference operation: an internal reference (default) mode, an externally adjusted reference mode, or a full external reference mode. The internal reference mode occurs when no voltages are applied to REFIN, REFP, CML,

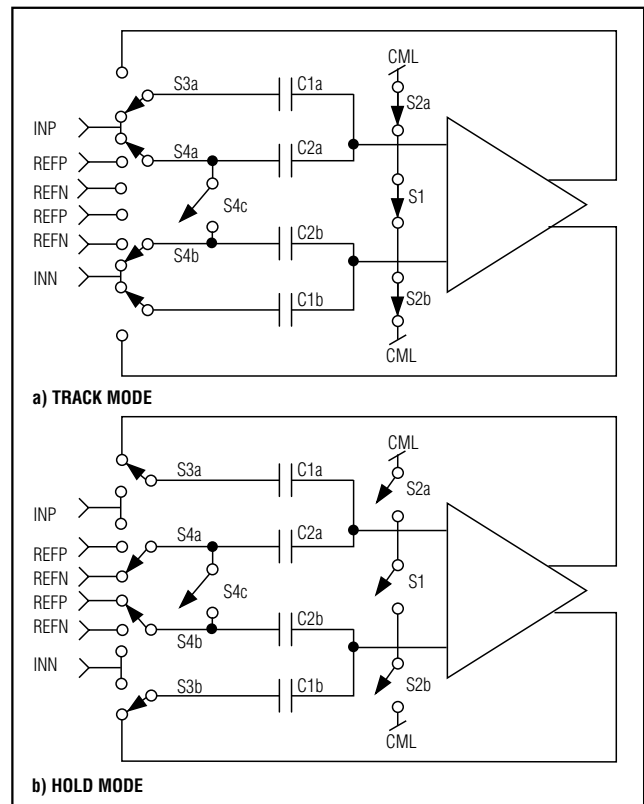


Figure 2. Internal Track-and-Hold Circuit

# 10-Bit, 10MSPS ADC

MAX1426

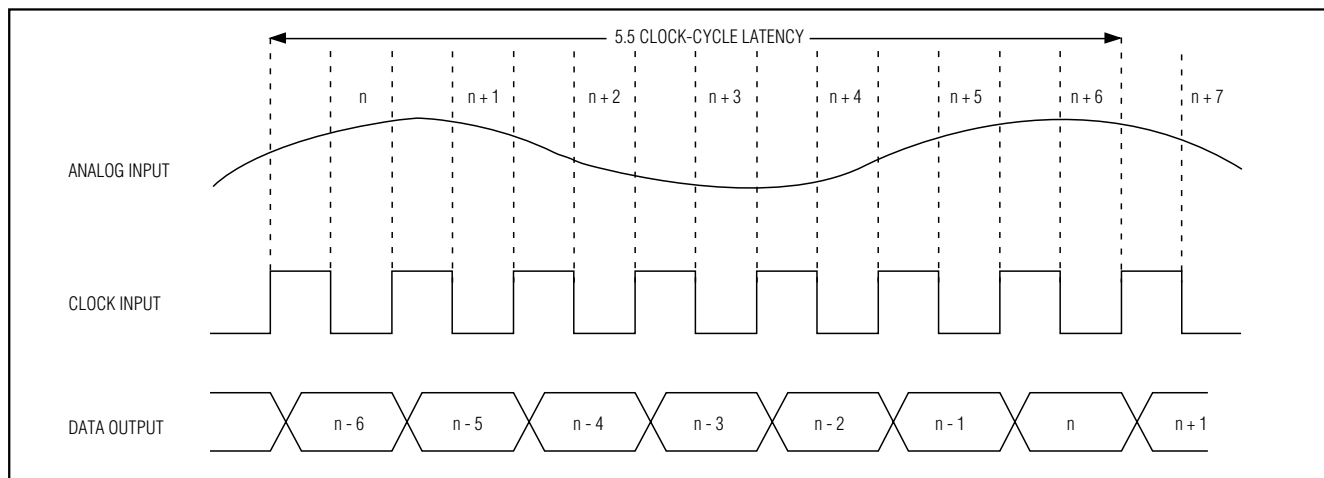


Figure 3. System Timing Diagram

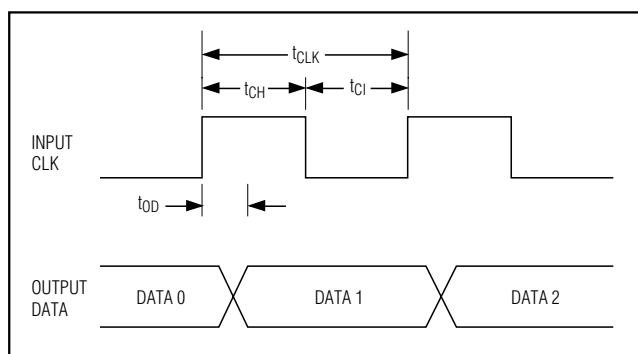


Figure 4. Output Timing Diagram

and REFN. In this mode, the voltages at these pins are set to their nominal values (see *Electrical Characteristics*). The reference voltage levels can be adjusted externally by applying a voltage at REFIN. This allows other input levels to be used as well. The full external reference mode is entered when REFIN = AGND. External voltages can be applied to REFP, CML, and REFIN. In this mode, the internal voltage shuts down, resulting in less overall power consumption.

### Clock Input (CLK)

CLK is TTL/CMOS compatible. Since the interstage conversion of the device depends on the rising and falling edges of the external clock, use a clock with low jitter and fast rise and fall times (<2ns). Low clock jitter improves SNR performance. The MAX1426 operates with a 50% duty cycle. If the clock has a duty cycle other than 50%, the clock must meet the specifications for high and low periods as stated in the *Electrical Characteristics*.

Table 1. MAX1426 Output Code

DIFFERENTIAL INPUT	OUTPUT CODE (TWO'S COMPLEMENT)
+Full Scale	0 1 1 1 1 1 1 1 1 1
+Full Scale 1LSB	0 1 1 1 1 1 1 1 1 0
+Full Scale 2LSB	0 1 1 1 1 1 1 1 0 1
+3/4 Full Scale	0 1 1 0 0 0 0 0 0 0
+1/2 Full Scale	0 1 0 0 0 0 0 0 0 0
+1/4 Full Scale	0 0 1 0 0 0 0 0 0 0
+1 LSB	0 0 0 0 0 0 0 0 0 1
Bipolar Zero	0 0 0 0 0 0 0 0 0 0
-1 LSB	1 1 1 1 1 1 1 1 1 1
-1/4 Full Scale	1 1 1 0 0 0 0 0 0 0
-1/2 Full Scale	1 1 0 0 0 0 0 0 0 0
-3/4 Full Scale	1 0 1 0 0 0 0 0 0 0
-Full Scale + 1LSB	1 0 0 0 0 0 0 0 0 1
-Full Scale	1 0 0 0 0 0 0 0 0 0

### Output Enable/Power-Down Function (OE/PD) and Output Data

All data outputs, D0 through D9, are TTL/CMOS-logic compatible. There is a 5.5 clock-cycle latency between the start convert signal and the valid output data. The output coding for the MAX1426 is in binary two's complement format, which has the MSB inverted (Table 1). The digital output goes into a high-impedance state and the device into a low-power mode when OE/PD goes high. For normal operation, drive OE low. The outputs are not designed to drive high capacitances or

# 10-Bit, 10MSPS ADC

heavy loads, as they are specified to deliver only 200µA for TTL compatibility. If an application needs output buffering, use 74LS74s or 74ALS541s as required.

## Applications Information

Figure 5 shows a typical application circuit containing a single-ended to differential converter. The internal reference provides a +2.25V output for level shifting. The input is buffered and then split to a voltage follower and inverter. The op amps are followed by a lowpass filter to remove some of the wideband noise associated with

high-speed op amps. In this application, the amplifier outputs are directly coupled to the inputs. This configuration can also be modified for AC-coupled applications. The MAX1426 includes a DC level-shifting circuit internal to the part, allowing for AC-coupled applications. The level-shifting circuit is shown in Figure 6.

The circuit in Figure 6 can accept a 1Vp-p maximum input voltage. With a maximum clock frequency of 10MHz, use 50Ω termination to minimize reflections. Buffer the digital outputs with a low-cost, high-speed,

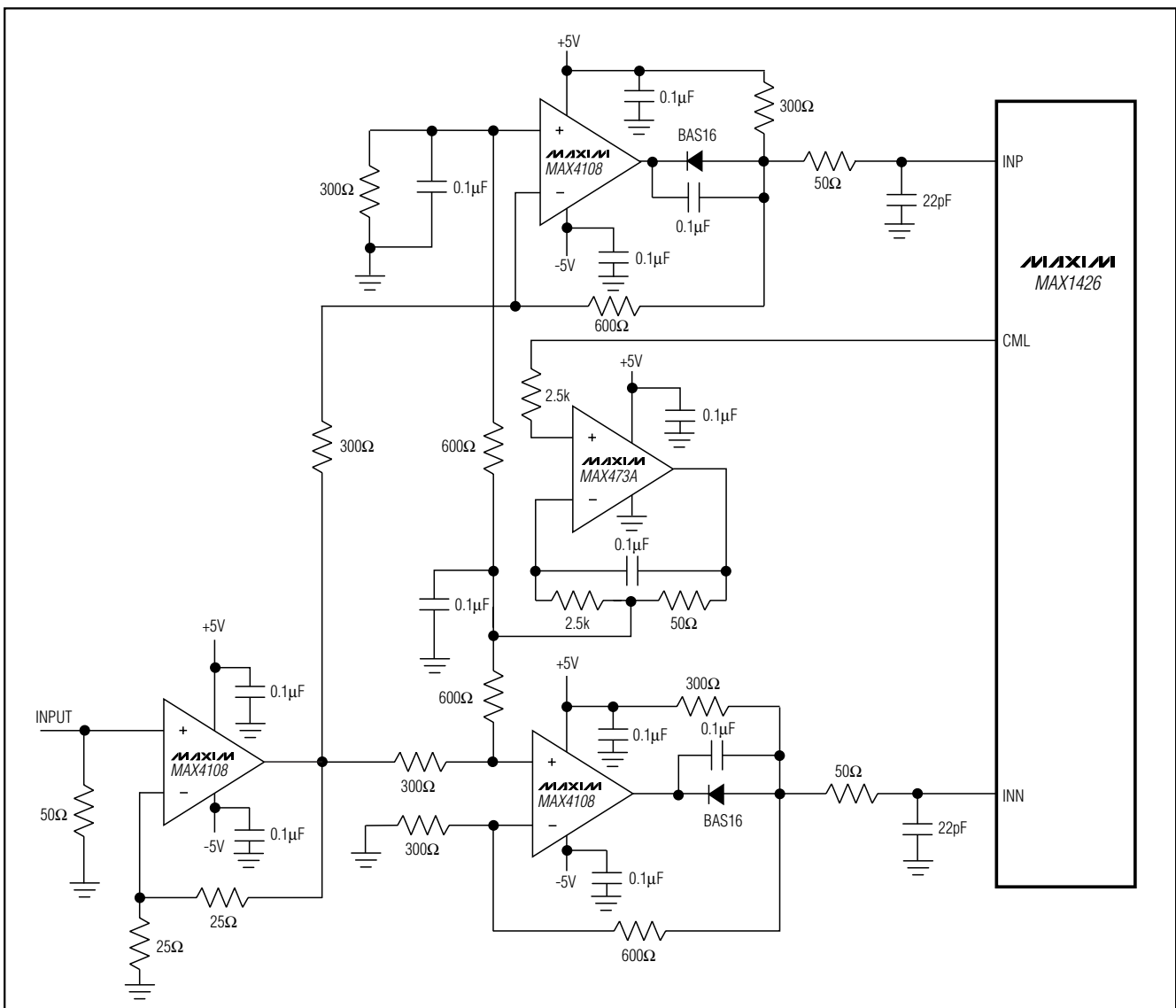


Figure 5. Typical Application Circuit Using the Internal Reference

# 10-Bit, 10Msps ADC

MAX1426

octal D-latched flip-flop (74ALS374), or use octal buffers such as the 74ALS541.

## Typical Application Using an External Reference

Figure 7 shows an application circuit that shuts down the internal reference, allowing an external reference to be used for selecting a different common-mode voltage. This added flexibility also allows for ratiometric conversions, as well as for calibration.

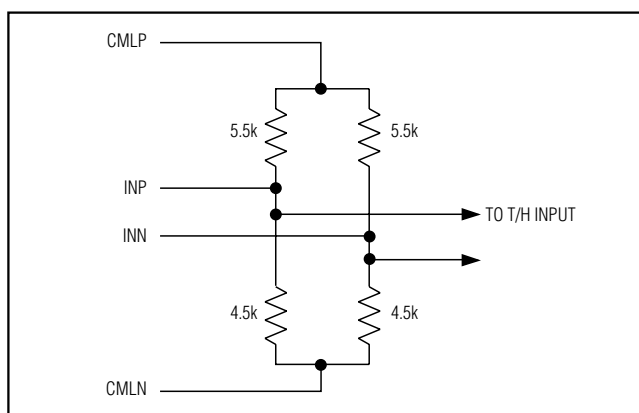


Figure 6. Analog Input DC Bias Circuit

## Using Transformer Coupling

A small transformer (Figure 8) provides isolation and AC-coupling to the ADC's input. Connecting the transformer's center tap to CML provides a +2.25VDC level shift to the input. Transformer coupling reduces the need for high-speed op amps, thereby reducing cost. Although a 1:1 transformer is shown, a step-up transformer may be selected to reduce the drive requirements.

## Single-Ended DC-Coupled Input Signal

Figure 9 shows an AC-coupled, single-ended application. The MAX4106 quad op amp provides high speed, high bandwidth, low noise, and low distortion to maintain the integrity of the input signal.

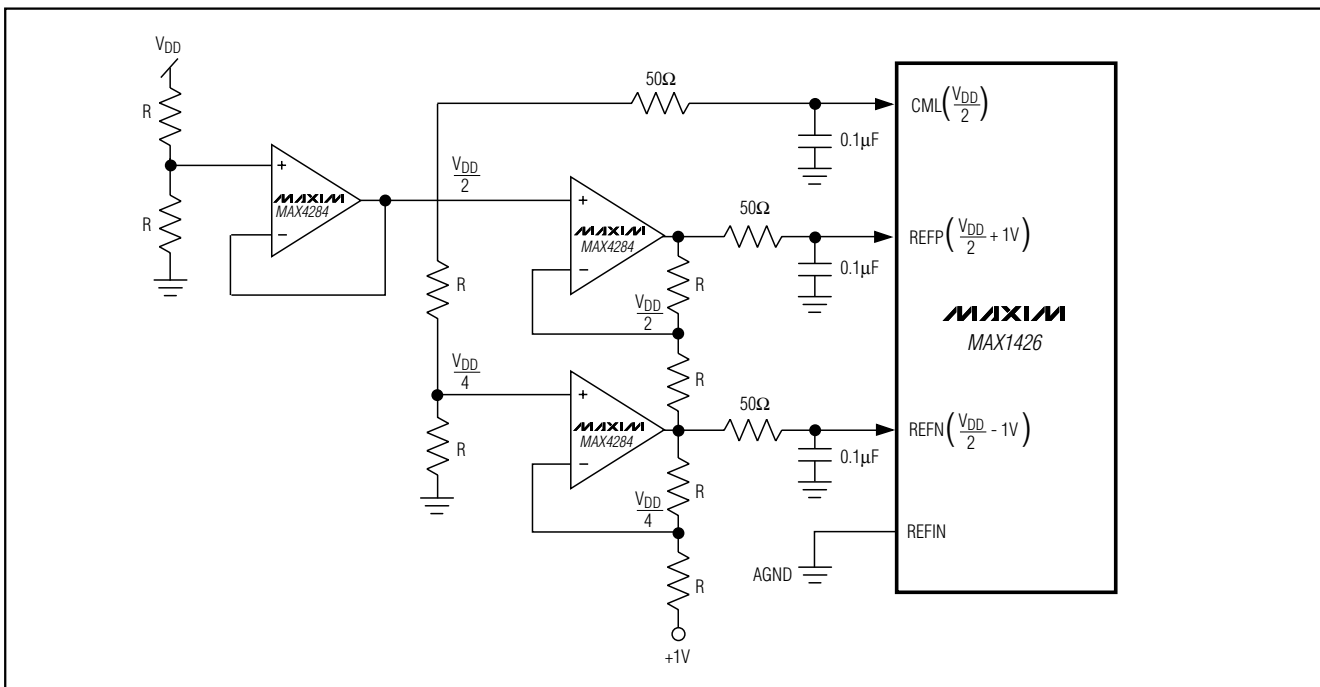


Figure 7. Using an External Reference for REFP, REFN, and CML (internal reference shut down)

# 10-Bit, 10MSPS ADC

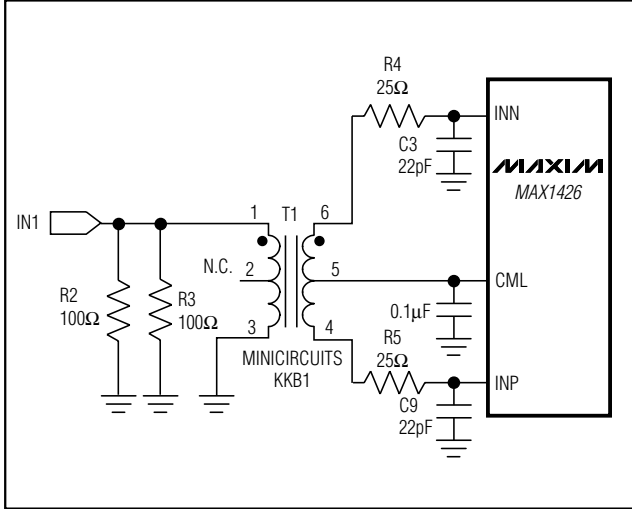


Figure 8. Using a Transformer for AC-Coupling

## Bypassing and Board Layout

The MAX1426 requires high-speed board layout design techniques. Locate all bypass capacitors as close to the device as possible, using surface-mount devices for minimum inductance. Bypass all analog voltages (AVDD, REFIN, REFP, REFN, and CML) to AGND. Bypass the digital supply (DVDD) to DGND. Multilayer boards with separated ground and power planes produce the highest level of signal integrity. Route high-speed digital signal traces away from sensitive analog traces. Matching impedance, especially for the input clock generator, may reduce reflections, thus providing less jitter in the system. For optimum results, use low-distortion complementary components such as the MAX4108.

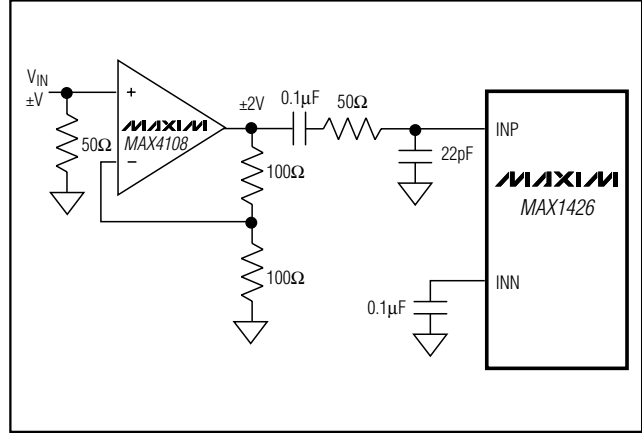


Figure 9. Single-Ended AC-Coupled Input Signal

## Chip Information

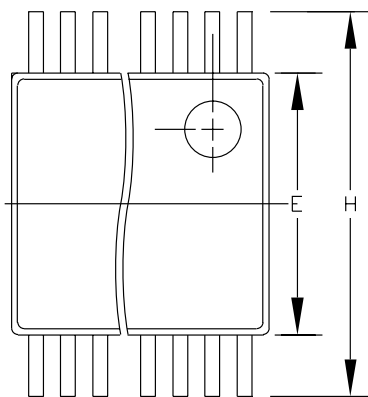
TRANSISTOR COUNT: 5305

# 10-Bit, 10Msps ADC

## Package Information

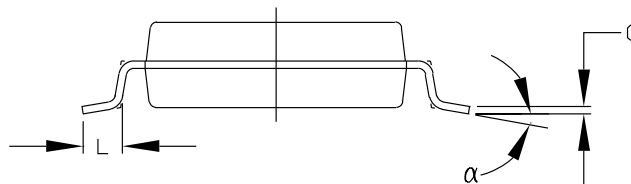
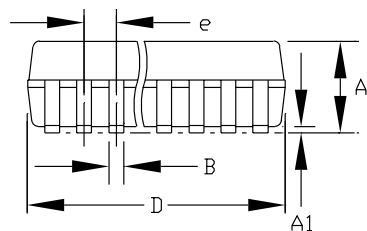
**MAX1426**

SSOP, EPSS



DIM	INCHES		MILLIMETERS	
	MIN	MAX	MIN	MAX
A	0.068	0.078	1.73	1.99
A1	0.002	0.008	0.05	0.21
B	0.010	0.015	0.25	0.38
C	0.004	0.008	0.09	0.20
D	SEE VARIATIONS			
E	0.205	0.209	5.20	5.38
e	0.0256	BSC	0.65	BSC
H	0.301	0.311	7.65	7.90
L	0.025	0.037	0.63	0.95
$\alpha$	0°	8°	0°	8°

D	INCHES		MILLIMETERS		
	MIN	MAX	MIN	MAX	
D	0.239	0.249	6.07	6.33	14L
D	0.239	0.249	6.07	6.33	16L
D	0.278	0.289	7.07	7.33	20L
D	0.317	0.328	8.07	8.33	24L
D	0.397	0.407	10.07	10.33	28L



**NOTES:**

1. D&E DO NOT INCLUDE MOLD FLASH.
2. MOLD FLASH OR PROTRUSIONS NOT TO EXCEED .15mm (.006")
3. CONTROLLING DIMENSION: MILLIMETER

<b>MAXIM</b>			
<small>PROPRIETARY INFORMATION</small>			
<small>TITLE:</small>			
PACKAGE OUTLINE, SSOP, 5.3X.65mm			
<small>APPROVAL</small>	<small>DOCUMENT CONTROL NO.</small>	<small>REV</small>	<small>1/1</small>
	21-0056	A	

# **10-Bit, 10Msps ADC**

## **NOTES**

*Maxim cannot assume responsibility for use of any circuitry other than circuitry entirely embodied in a Maxim product. No circuit patent licenses are implied. Maxim reserves the right to change the circuitry and specifications without notice at any time.*

**16** \_\_\_\_\_ **Maxim Integrated Products, 120 San Gabriel Drive, Sunnyvale, CA 94086 408-737-7600**