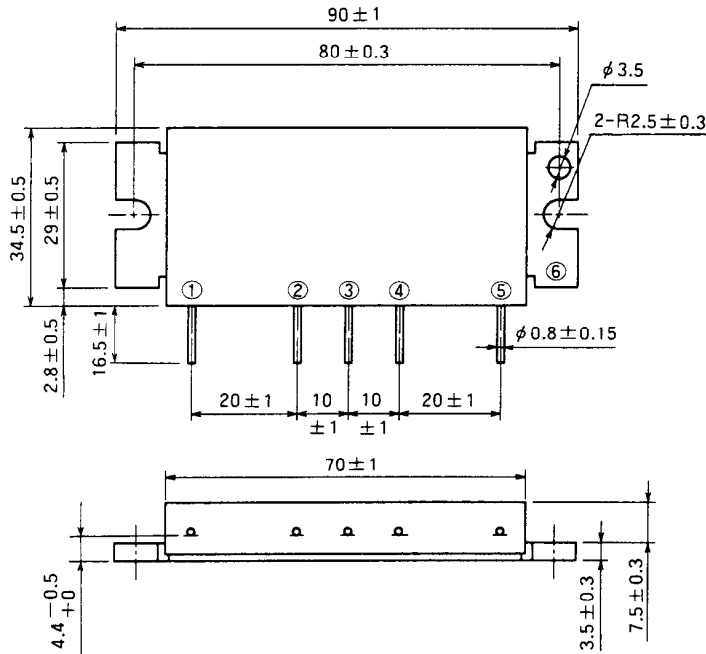


M67727

144-148MHz, 12.5V, 60W, SSB MOBILE RADIO

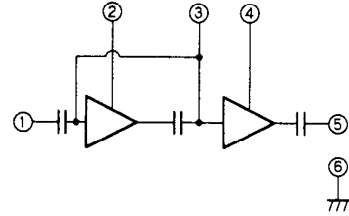
OUTLINE DRAWING

Dimensions in mm



H28

BLOCK DIAGRAM



PIN :

- ① Pin : RF INPUT
- ② VCC1 : 1st. DC SUPPLY
- ③ VBB : BASE BIAS SUPPLY
- ④ VCC2 : 2nd. DC SUPPLY
- ⑤ Po : RF OUTPUT
- ⑥ GND : FIN

ABSOLUTE MAXIMUM RATINGS (T_c = 25 °C unless otherwise noted)

Symbol	Parameter	Conditions	Ratings	Unit
V _{CC}	Supply voltage		16	V
V _{BB}	Base bias		10	V
I _{CC}	Total current		24	A
P _{in(max)}	Input power	Z _G = Z _L = 50 Ω, V _{CC1} ≤ 12.5V	0.8	W
P _{O(max)}	Output power	Z _G = Z _L = 50 Ω	78	W
T _{C(OP)}	Operation case temperature		- 30 to 110	°C
T _{stg}	Storage temperature		- 40 to 110	°C

Note. Above parameters are guaranteed independently.

ELECTRICAL CHARACTERISTICS (T_c = 25 °C unless otherwise noted)

Symbol	Parameter	Test conditions	Limits		Unit
			Min	Max	
f	Frequency range	P _{in} = 0.5W V _{BB} = 9V V _{CC} = 12.5V Z _G = Z _L = 50 Ω	144	148	MHz
P _o	Output power		60		W
η _T	Total efficiency		50		%
2f _o	2nd. harmonic			- 30	dBc
3f _o	3rd. harmonic			- 35	dBc
ρ _{in}	Input VSWR			2.8	-
-	Load VSWR tolerance	V _{CC} = 15.2V, V _{BB} = 9V P _o = 55W (P _{in} : controlled) Load VSWR=8.8:1 (All phase), 2sec. Z _G = 50 Ω	No degradation or destroy		-

Note. Above parameters, ratings, limits and conditions are subject to change.