

**SANYO**

No. 3977

**LA4166M**

## Recording and Playback System for Microcassette Players

### OVERVIEW

The LA4166M is a recording and playback system IC that incorporates an on-chip, motor control governor, making it ideal for use in microcassette and compact cassette recorders.

The LA4166M features single-pin control for selecting recording or playback mode and a recording-mode indicator LED driver. The LA4166M is pin-compatible with the LA4165M.

The LA4166M incorporates a preamplifier, an automatic level control (ALC) circuit and a power amplifier.

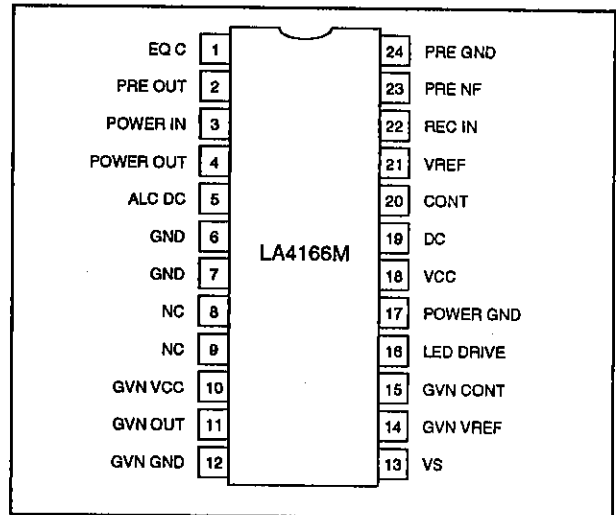
The preamplifier functions as both recording microphone amplifier and playback equalization amplifier. The ALC circuit cuts high-level inputs and boosts low-level inputs during recording. The power amplifier outputs 215 mW (typ) into a 4  $\Omega$  speaker.

The LA4166M operates from a 1.8 to 3.6 V supply and is available in 24-pin MFPs.

### FEATURES

- On-chip, motor control governor
- Single-pin control for selecting recording or playback mode
- Recording-mode indicator LED driver
- Pin-compatible with LA4165M
- Recording and playback preamplifier
- ALC circuit
- Power amplifier
- 215 mW (typ) output power into 4  $\Omega$  speaker
- 1.8 to 3.6 V supply
- 24-pin MFP

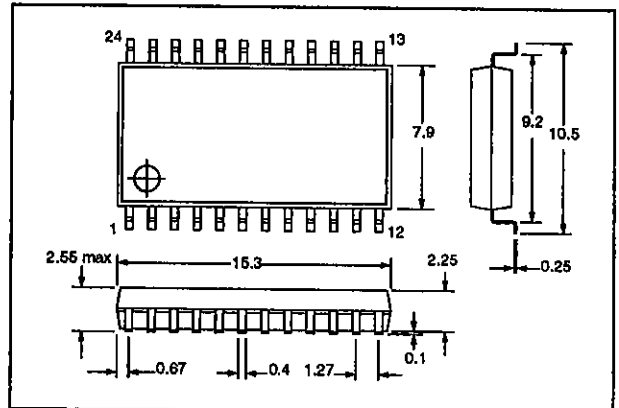
### PINOUT



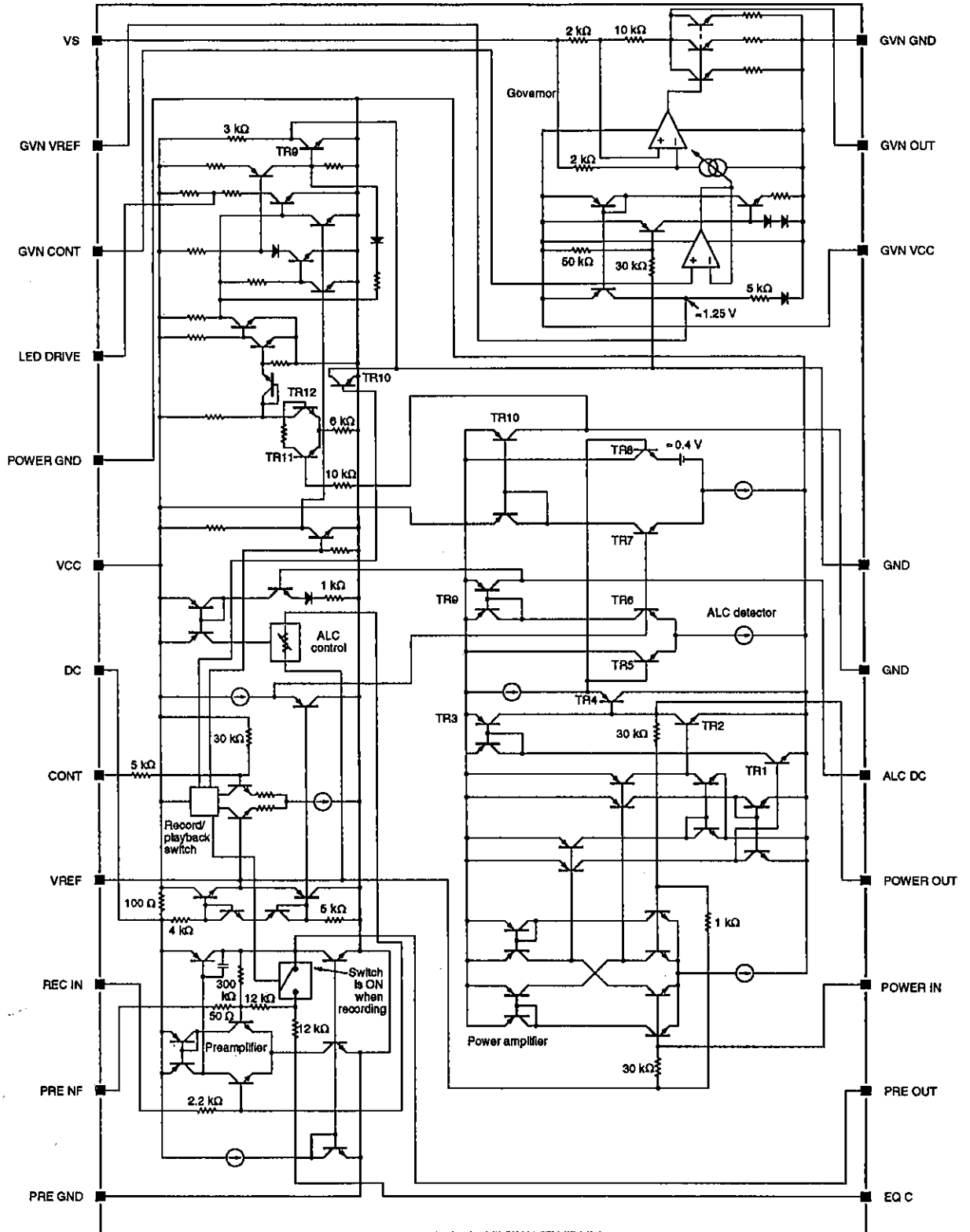
### PACKAGE DIMENSIONS

Unit: mm

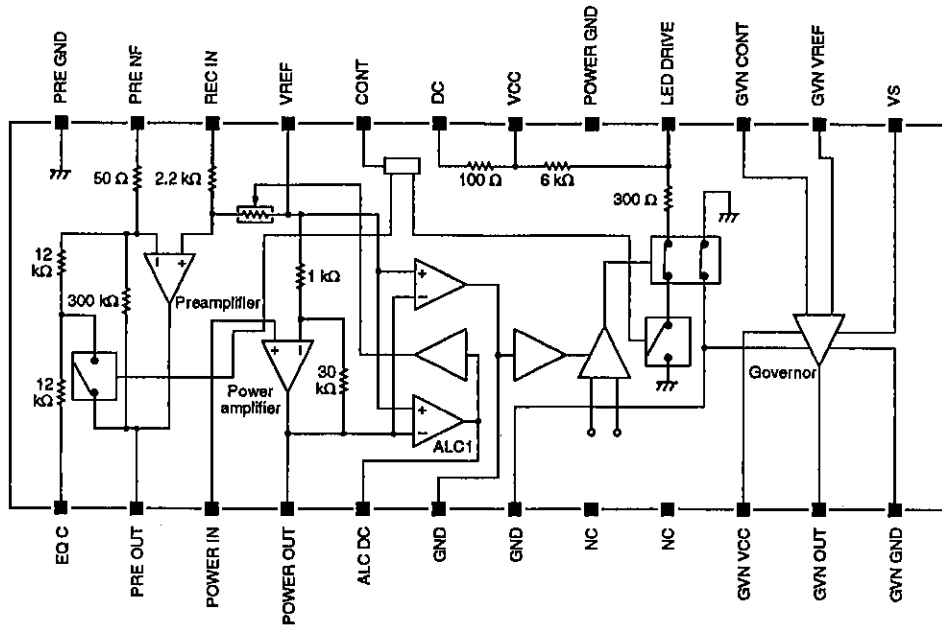
3108-MFP24D



**SCHEMATIC DIAGRAM**



## BLOCK DIAGRAM



## PIN DESCRIPTION

Number	Name	Description
1	EQ C	Playback equalization capacitor connection
2	PRE OUT	Preamplifier output
3	POWER IN	Power amplifier input
4	POWER OUT	Power amplifier output
5	ALC DC	ALC characteristics control network connection
6, 7	GND	Ground
8, 9	NC	No connection
10	GVN VCC	1.8 to 3.6 V governor supply
11	GVN OUT	Governor output
12	GVN GND	Governor ground
13	VS	Motor supply voltage
14	GVN VREF	Governor reference voltage output
15	GVN CONT	Governor control input
16	LED DRIVE	LED driver output
17	POWER GND	Power amplifier ground
18	VCC	1.8 to 3.6 V supply
19	DC	Ripple-filter capacitor connection
20	CONT	Record and playback select input
21	VREF	Reference voltage output
22	REC IN	Recording signal input
23	PRE NF	Preamplifier gain control input
24	PRE GND	Preamplifier ground

## SPECIFICATIONS

### Absolute Maximum Ratings

Parameter	Symbol	Rating	Unit
Supply voltage	$V_{CC}$	4.5	V
Power dissipation	$P_D$	1.1	W
Operating temperature range	$T_{opr}$	-10 to 50	°C
Storage temperature range	$T_{stg}$	-55 to 150	°C

### Recommended Operating Conditions

$T_a = 25\text{ °C}$

Parameter	Symbol	Rating	Unit
Supply voltage	$V_{CC}$	3	V
Supply voltage range	$V_{CC}$	1.8 to 3.6	V
Power amplifier load resistance	$R_{L1}$	4 (Playback mode)	$\Omega$
		10 (Recording mode)	k $\Omega$
Preamplifier load resistance	$R_{L2}$	10	k $\Omega$

### Electrical Characteristics

$V_{CC} = 3\text{ V}$ ,  $T_a = 25\text{ °C}$ , power amplifier  $R_L = 4\ \Omega$  (playback mode) or 10 k $\Omega$  (recording mode), preamplifier  $R_L = 10\text{ k}\Omega$ ,  $f = 1\text{ kHz}$ , 0 dBm = 0.775 V unless otherwise noted

Parameter	Symbol	Condition	Rating			Unit
			min	typ	max	
Preamplifier and power amplifier quiescent supply current	$I_{CCO}$	Recording mode, $V_I = 0\text{ V}$	12	25	38	mA
		Playback mode, $V_I = 0\text{ V}$	13	26	39	
Preamplifier and power amplifier closed-loop voltage gain	$V_{G1}$	Recording mode, $V_O = -5\text{ dBm}$	62.0	64.5	67.0	dB
		Playback mode, $V_O = -5\text{ dBm}$	71.0	73.5	76.0	
Preamplifier closed-loop voltage gain	$V_{G2}$	Recording mode, $V_O = -10\text{ dBm}$ , $R_{NF} = 100\ \Omega$	32.5	35.0	37.5	dB
		Playback mode, $V_O = -10\text{ dBm}$ , $R_{NF} = 100\ \Omega$	42.5	45.0	47.5	
Preamplifier maximum output voltage	$V_O$	Playback mode, THD = 1%	0.3	0.6	1.0	V
Preamplifier input noise voltage	$V_{NI}$	Playback mode, 20 Hz to 20 kHz output bandpass filter	0.5	1.1	2.0	$\mu\text{V}$
Preamplifier total harmonic distortion	THD <sub>1</sub>	Playback mode, $V_O = 0.4\text{ V}$	0.01	0.11	1.0	%
Power amplifier voltage gain	$V_{G3}$	$V_O = -5\text{ dBm}$ , $R_L = 4\ \Omega$	26.0	28.5	31.0	dB
Power amplifier output power	$P_O$	THD = 10%, $R_L = 4\ \Omega$	180	215	350	mW
Power amplifier total harmonic distortion	THD <sub>2</sub>	$P_O = 30\text{ mW}$ , $R_L = 4\ \Omega$	0.05	0.5	1.5	%

LA4166M

Parameter	Symbol	Condition	Rating			Unit
			min	typ	max	
Power amplifier output noise voltage	$V_{NO}$	$R_V = 0 \Omega$ , $R_L = 4 \Omega$ , 20 Hz to 20 kHz output bandpass filter	5	25	100	$\mu V$
ALC turn-ON input voltage	$V_I$		-66.5	-69.0	-71.5	dBm
ALC range	ALCR	See note 1.	30	38	45	dB
ALC total harmonic distortion	THD <sub>3</sub>	$V_{REC IN} = -40$ dBm	0.1	0.67	1.5	%
ALC output voltage	$V_O$	$V_{REC IN} = -40$ dBm	0.35	0.46	0.55	V
LED driver current	$I_{LED}$	Using a red LED	1.0	2.5	4.5	mA
Governor reference voltage	$V_{GVN REF}$	$I_m = 100$ mA	1.1	1.25	1.4	V
Governor quiescent input current	$I_d$	$I_m = 100$ mA	2	3	6	mA
Governor current divider ratio	K	$I_m = 50$ to 100 mA	45	50	55	
Governor residual output voltage	$V_{sat}$	$I_m = 200$ mA, $V_{GVN REF} = V_{GVN CONT}$	0.1	0.3	0.5	V
Governor reference voltage vs. supply voltage characteristic		$V_{CC} = 1.8$ to 4.5 V, $I_m = 100$ mA. See note 2.	0	0.1	0.5	%/V
Governor current divider ratio vs. supply voltage characteristic		$V_{CC} = 2.0$ to 4.5 V, $I_m = 50$ to 100 mA. See note 3.	0	0.1	0.5	%/V
Governor reference voltage ratio vs. output current characteristic		$I_m = 50$ to 200 mA. See note 4.	0	0.007	0.03	%/mA
Governor current divider ratio vs. output current characteristic		$I_m = 50$ to 200 mA. See note 5.	-0.05	0.005	0.05	%/mA

Notes

1. Referred to ALC turn-ON voltage, input range for the output level to rise 2.5 dB
2. The characteristic is given by the equation

$$\left(\frac{\Delta V_{GVN REF}}{V_{GVN REF}}\right) + \Delta V_{CC}$$

3. The characteristic is given by the equation

$$\left(\frac{\Delta K}{K}\right) + \Delta V_{CC}$$

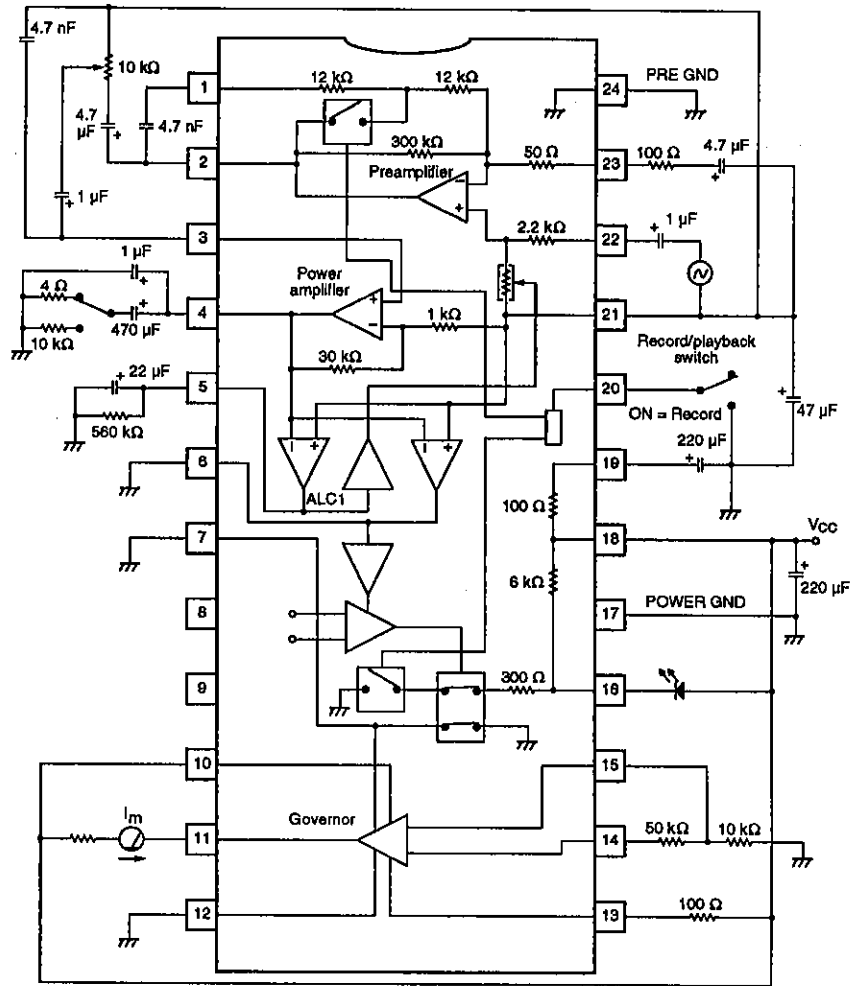
4. The characteristic is given by the equation

$$\left(\frac{\Delta V_{GVN REF}}{V_{GVN REF}}\right) + \Delta I_m$$

5. The characteristic is given by the equation

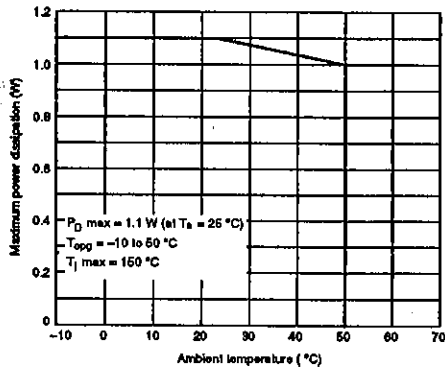
$$\left(\frac{\Delta K}{K}\right) + \Delta I_m$$

Measurement Circuit



Typical Performance Characteristics

Maximum power dissipation vs. ambient temperature



## FUNCTIONAL DESCRIPTION

The LA4166M comprises a preamplifier, an ALC, an LED driver, a power amplifier and a governor. The operation of these functional blocks in recording and playback modes is shown in table 1. Recording mode is selected when CONT is held at 0 V, and playback mode, when CONT is open.

Table 1. Block operation

Mode	Preamplifier	ALC	LED driver	Power amplifier	Governor
Recording	ON	ON	ON	ON	ON
Playback	ON	OFF	OFF	ON	ON

## TYPICAL APPLICATION

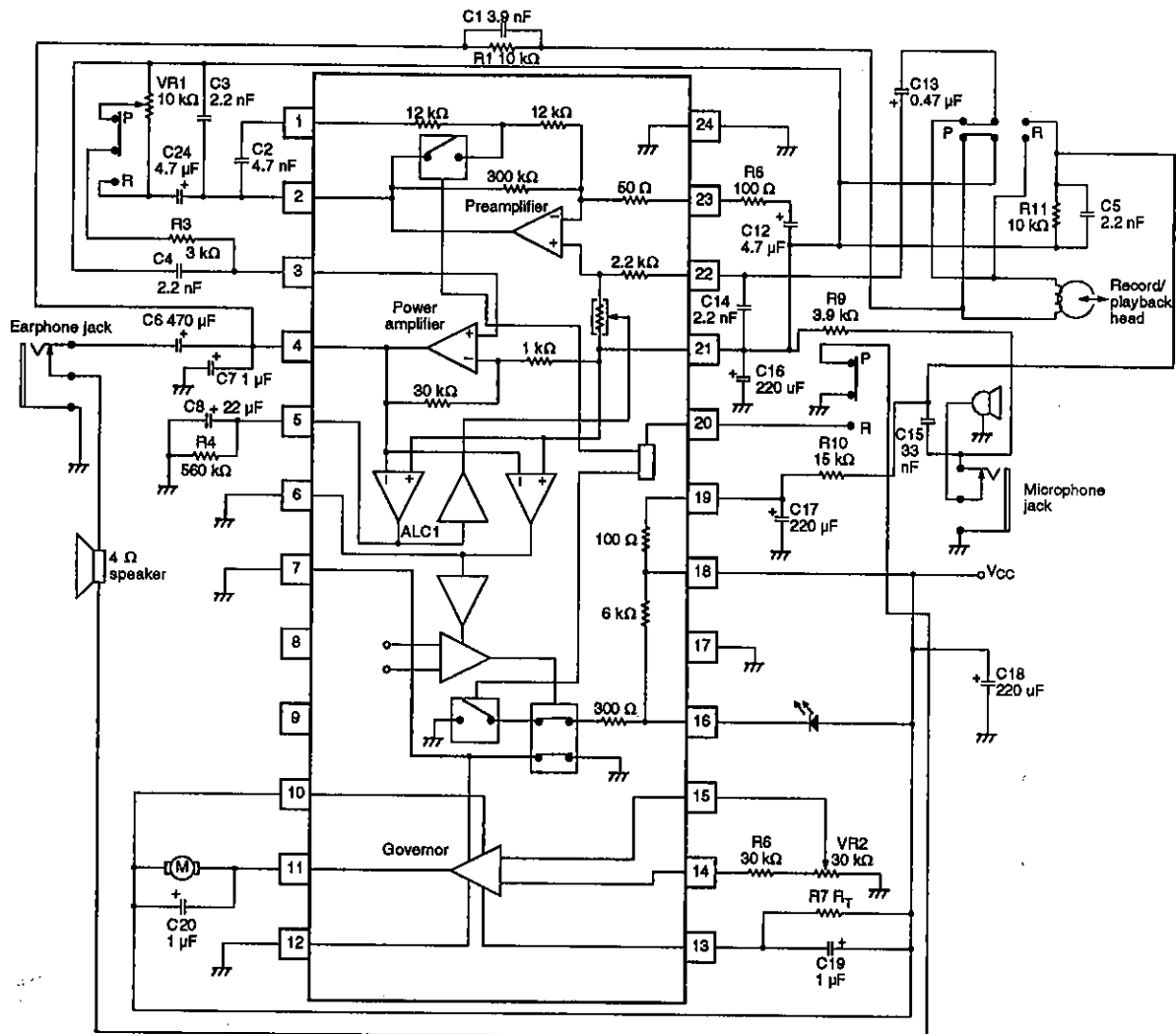


Figure 1. Application circuit

Note that external components are used to determine the LA4166M operating characteristics. For example, C2 determines the playback equalization characteristic, R8 determines the preamplifier gain, C8 and R4 determine the ALC attack and recovery times and C17 determines the power supply ripple rejection. The ripple rejection decreases as the capacitance C17 is decreased.

Other components are used to determine the overall circuit characteristics. For example, C1 and R1 determine the recording current and C7 prevents output oscillations.

Note also that LA4166M internal components determine other LA4166M characteristics. For example, the 2.2 k $\Omega$  PRE IN input resistor determines the ALC range, and the 1 k $\Omega$  and 30 k $\Omega$  resistors at the power amplifier inverting input determine amplifier gain.

In addition, LED DRIVE should be left open when not using the LED indicator function, the double-pole switch that controls LED DRIVE is normally closed, the NC pins should be left open, and the GND pins should be tied to ground.

- No products described or contained herein are intended for use in surgical implants, life-support systems, aerospace equipment, nuclear power control systems, vehicles, disaster/crime-prevention equipment and the like, the failure of which may directly or indirectly cause injury, death or property loss.
- Anyone purchasing any products described or contained herein for an above-mentioned use shall:
  - ① Accept full responsibility and indemnify and defend SANYO ELECTRIC CO., LTD., its affiliates, subsidiaries and distributors and all their officers and employees, jointly and severally, against any and all claims and litigation and all damages, cost and expenses associated with such use:
  - ② Not impose any responsibility for any fault or negligence which may be cited in any such claim or litigation on SANYO ELECTRIC CO., LTD., its affiliates, subsidiaries and distributors or any of their officers and employees jointly or severally.
- Information (including circuit diagrams and circuit parameters) herein is for example only; it is not guaranteed for volume production. SANYO believes information herein is accurate and reliable, but no guarantees are made or implied regarding its use or any infringements of intellectual property rights or other rights of third parties.