

CMOZ2L4 THRU CMOZ43L

ULTRAmi™  
 LOW LEVEL ZENER DIODE  
 2.4 VOLTS THRU 43 VOLTS  
 350mW, 5% TOLERANCE

ULTRAmi™



SOD-523 CASE

**Central**™  
**Semiconductor Corp.**

**DESCRIPTION:**

The CENTRAL SEMICONDUCTOR CMOZ2L4 Series Low Level Zener Diode is a high quality voltage regulator in an epoxy-molded ULTRAmi™ package, designed for applications requiring an extremely low operating current and low leakage.

**ABSOLUTE MAXIMUM RATINGS:**

	SYMBOL	UNIT
Power Dissipation (@T <sub>A</sub> =50°C)	P <sub>D</sub>	350 mW
Operating and Storage Temperature	T <sub>J</sub> , T <sub>stg</sub>	-65 to +175 °C

**ELECTRICAL CHARACTERISTICS:** (T<sub>A</sub>=25°C), V<sub>F</sub>=0.9 MAX @ I<sub>F</sub>=10mA FOR ALL TYPES.

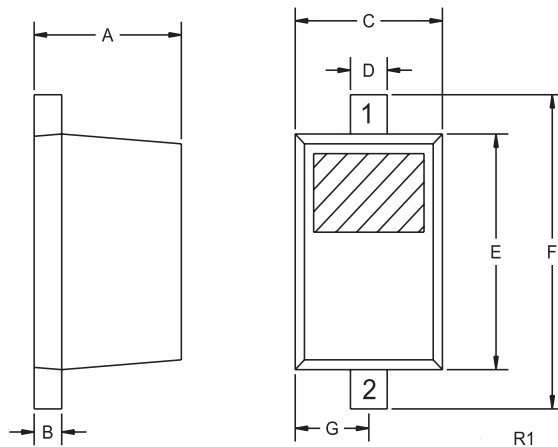
TYPE	ZENER VOLTAGE V <sub>Z</sub> @ I <sub>ZT</sub>			TEST CURRENT I <sub>ZT</sub> μA	MAXIMUM ZENER IMPEDANCE Z <sub>ZT</sub> @ I <sub>ZT</sub> Ω	MAXIMUM REVERSE CURRENT		MARKING CODE
	MIN	NOM	MAX			I <sub>R</sub> μA	@ V <sub>R</sub> VOLTS	
	VOLTS	VOLTS	VOLTS					
CMOZ2L4	2.28	2.4	2.52	250	1400	25	1.0	M1
CMOZ2L5	2.37	2.5	2.63	250	1500	10	1.0	M2
CMOZ2L7	2.57	2.7	2.84	250	1500	5.0	1.0	M3
CMOZ3L3	3.14	3.3	3.47	250	1600	5.0	1.0	M4
CMOZ3L6	3.42	3.6	3.78	250	1700	5.0	1.0	M5
CMOZ3L9	3.71	3.9	4.10	250	1600	5.0	1.0	M6
CMOZ4L3	4.09	4.3	4.52	250	1600	1.0	1.5	M7
CMOZ4L7	4.47	4.7	4.94	250	1500	1.0	1.5	M8
CMOZ5L1	4.85	5.1	5.36	250	1500	1.0	1.5	M9
CMOZ5L6	5.32	5.6	5.88	250	1400	1.0	2.0	M0
CMOZ6L2	5.89	6.2	6.51	250	1200	1.0	2.0	N1
CMOZ6L8	6.46	6.8	7.14	250	200	1.0	3.5	N2
CMOZ7L5	7.12	7.5	7.88	250	200	1.0	3.5	N3
CMOZ8L2	7.79	8.2	8.61	250	200	1.0	6.0	N4
CMOZ9L1	8.65	9.1	9.56	250	200	1.0	6.0	N5
CMOZ10L	9.50	10	10.50	250	200	1.0	8.0	N6
CMOZ11L	10.45	11	11.55	250	200	1.0	8.0	N7
CMOZ12L	11.40	12	12.60	250	200	1.0	10.5	N8
CMOZ13L	12.35	13	13.65	250	200	1.0	10.5	N9
CMOZ15L	14.25	15	15.75	250	100	1.0	11.5	N0

R1 ( 1-October 2001)

ELECTRICAL CHARACTERISTICS (CONTINUED):

TYPE	ZENER VOLTAGE $V_Z @ I_{ZT}$			TEST CURRENT	MAXIMUM ZENER IMPEDANCE	MAXIMUM REVERSE CURRENT		MARKING CODE
	MIN	NOM	MAX	$I_{ZT}$	$Z_{ZT} @ I_{ZT}$	$I_R @ V_R$		
	VOLTS	VOLTS	VOLTS	$\mu A$	$\Omega$	$\mu A$	VOLTS	
CMOZ16L	15.20	16	16.80	250	100	1.0	14	P1
CMOZ18L	17.10	18	18.90	250	100	1.0	16	P2
CMOZ20L	19.00	20	21.00	250	150	1.0	18	P3
CMOZ22L	20.90	22	23.10	250	150	1.0	20	P4
CMOZ24L	22.80	24	25.20	250	150	1.0	22	P5
CMOZ27L	25.65	27	28.35	250	150	1.0	24	P6
CMOZ30L	28.50	30	31.50	250	200	1.0	27	P7
CMOZ33L	31.35	33	34.65	250	250	1.0	30	P8
CMOZ36L	34.20	36	37.80	250	200	1.0	33	P9
CMOZ39L	37.05	39	40.95	250	200	1.0	36	P0
CMOZ43L	40.85	43	45.15	250	250	1.0	40	R1

SOD-523 CASE - MECHANICAL OUTLINE



SYMBOL	DIMENSIONS			
	INCHES		MILLIMETERS	
	MIN	MAX	MIN	MAX
A	0.020	0.031	0.50	0.80
B	0.004	0.008	0.10	0.20
C	0.028	0.035	0.70	0.90
D	0.008	0.011	0.20	0.28
E	0.039	0.055	1.00	1.40
F	0.055	0.071	1.40	1.80
G	0.016		0.40	

SOD-523 (REV: R1)

LEAD CODE:

- 1) Cathode
- 2) Anode

R1 ( 1-October 2001)