

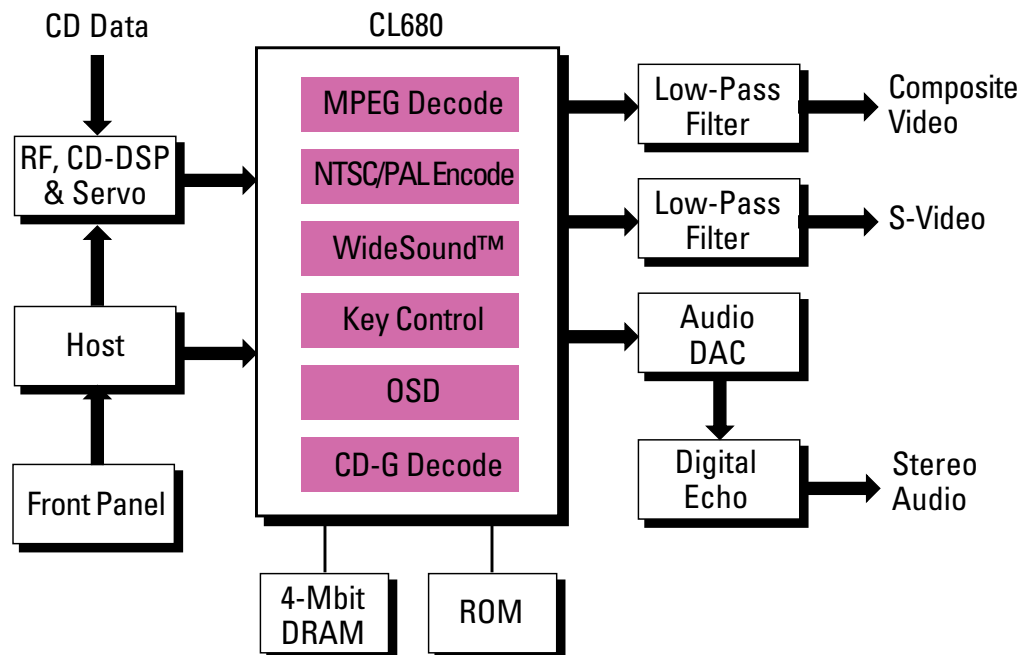
# CL680 VIDEO-CD DECODER

## SINGLE-CHIP AUDIO/VIDEO/CD-ROM DECODER WITH INTEGRATED NTSC/PAL ENCODER

The CL680 VideoCD Decoder is a highly integrated MPEG-1 system decoder for VideoCD players.

- **Higher Integration:** The CL680 has an integrated digital NTSC/PAL encoder, eliminating the need for a discrete device and reducing total design footprint. Stereo key control and vocal fade features replace additional audio circuitry in Karaoke applications. No other single-chip decoder on the market can match the CL680's level of integration.
- **Enhanced Quality:** The CL680 incorporates WideSound™, C-Cube's proprietary audio technology that provides a surround sound experience in stereo applications. Also, the OSD feature has been enhanced to display more on-screen characters.
- **Greater Reliability:** C-Cube's ClearView™ technology, introduced on the CL484, has been further enhanced in the CL680. VideoCD players based on the CL680 play more types of media and have fewer visible flaws than ever.

The CL680's microcoded architecture enables OEMs to retain their engineering investment in hardware and system software from their CL484 designs. CL680-based designs can be upgraded to add new features as the CL680 product line evolves without changing the hardware design.



## AUDIO FEATURES

The CL680 VideoCD Decoder integrates audio features to provide increased functionality and value to consumers without increased system cost.

### WIDESOUND™

C-Cube's audio algorithms use advanced DSP techniques to expand the perceived sound field with standard stereo sound tracks.



### KEY CONTROL

Key control is a standard feature in most Karaoke products. The CL680 changes the pitch of the mono or stereo audio track in single quartertone increments, eliminating the need for a separate DSP for Karaoke.

### VOCAL FADE

By comparing the left and right channels, the CL680 attenuates the vocal component of a stereo program. This feature allows VideoCDs and standard CD-DA recordings to be used for Karaoke and accommodates non-standard video Karaoke titles.

## VIDEO FEATURES

In addition to its extensive audio processing capabilities and features, the CL680 offers unique video features that provide consumers added utility compared to a standard VideoCD player.

### CLEARVIEW™

The result of over 20 man-years of engineering effort, ClearView sets the standard for reliable, clear video. C-Cube's ClearView technology, first introduced on the CL484, has been further enhanced on the CL680. These enhancements include:

*ERROR HANDLING TECHNOLOGY:* Errors that the CD-DSP can detect but not correct can be corrected by ClearView. These errors include both header and picture (data) errors. ClearView identifies the error type, classifies it, and uses the best possible strategy for error concealment.

*COMPATIBILITY:* ClearView ensures complete compliance with the entire MPEG-1 standard, so that the CL680 can flawlessly play back VideoCDs that have been encoded in a variety of styles. ClearView plays back most VideoCD formats, including VideoCD 1.1 and 2.0, KaraokeCD, OM-1 and CD-I.



### DISCVIEW™

This feature provides Playback Control (PBC) capability with VideoCD 1.1 discs by displaying up to nine images on the TV screen to form a video menu. The CL680 can read images from each track on a single disc or from multiple discs to provide a playback control menu, or images can be from a single track to provide chapter access menus.

### FLEXVIEW™

The CL680's FlexView feature converts NTSC source material to PAL format to provide full-screen, correctly proportioned displayed video. FlexView uses C-Cube's adaptive interpolation technology for smooth, raster-free scaling.

It also converts coded frame rates of 24 (film), 25 (PAL) or 30 (NTSC) Hz to NTSC or PAL display rates (60 or 50 Hz).

## ZOOM

The CL680 incorporates hardware to enable stills or motion pictures to be magnified in a selected area of the screen.



## GRAPHICS FEATURES

The CL680 incorporates an advanced graphics engine that allows VideoCD player designers to display player status on the television screen and to support graphic enhanced CD formats such as CD-G.

### ON-SCREEN DISPLAY (OSD)

The CL680 provides the ability to display user-defined graphics (stored in ROM) over real-time video. The CL680 allows graphics to be displayed anywhere on the TV screen, and it supports both run-length compressed and bitmap images. To ease the development of OSD characters, C-Cube provides a font-conversion



utility, which allows designers to easily run-length encode any bitmap font for storage in the CL680's ROM.

### CD-G SUPPORT

The CL680 provides on-chip support for the CD-G (CD audio plus graphics) format extension to the Red Book (Compact Disc Digital Audio) standard.

## INTEGRATION FEATURES

The CL680 family is designed to reduce system cost by incorporating more VideoCD functions and providing glueless interfaces to other system elements.

### INTEGRATED DIGITAL NTSC/PAL ENCODER

The CL680 includes a digital NTSC/PAL encoder with S-Video (Y/C) and composite outputs (9-bit resolution) and excellent signal separation for a superior picture.

### IMPROVED DRAM USAGE

The CL680 supports PAL and NTSC including high-resolution stills with only 4 Mbits of 70-ns DRAM. More efficient use of DRAM provides twice as much DRAM space to store user-defined OSD.

### INTELLIGENT INTERFACE DESIGN

The CL680 provides glueless interfaces to the CD-DSP, DRAM, ROM, and audio DACs. Support for all VideoCD and MPEG standards (including Video CD 2.0 and 1.1, Karaoke CD 1.0 and CD-I Green Book) means that no external parsing is required.

## PACKAGING

The CL680 requires a design-friendly three-volt supply and consumes less than one watt during decoding. In addition, it automatically reduces power consumption when decoding CD-DA. The CL680 can accept 5-volt inputs.

Like the CL48x family, the CL680 is packaged in a 128-pin small-outline PQFP (18mm x 18mm body size).



#### C-CUBE MICROSYSTEMS SALES OFFICES

##### NORTHEASTERN U.S.

96 Donegani  
Ste. 5024  
Pointe Claire  
Quebec, Canada H9R 2V4  
Phone: 1-514-426-5011  
Fax: 1-514-426-7119

##### SOUTHEASTERN U.S.

3675 Crestwood Pkwy, Ste. 400  
Duluth, GA 30096 USA  
Phone: 1-770-931-8060  
Fax: 1-770-931-8069

##### EUROPE

Stoner House, London Road  
Crawley, West Sussex  
United Kingdom RH10 2LJ  
Phone: 44-1293-651100  
Fax: 44-1293-651119

##### BEIJING

Room 1101, Jade Palace Hotel  
No. 76 Zhichun Road, Haidian District  
Beijing, China 100086  
Phone: 86-10-626-38296  
Fax: 86-10-626-38322

##### CHENGDU

Lido Plaza 601-602  
Da Ke Jia Lane  
Chengdu, China 610016  
Phone: 86-28-6713-150  
Fax: 86-28-6713-694

##### HONG KONG

3/F, Unit 301-302  
Industrial Tech Centre  
72 Tat Chee Ave, Kowloon Tong  
Kowloon, Hong Kong  
Phone: 852-2192-1789  
Fax: 852-2511-6939

##### JAPAN

Falcana Building 4F  
2-2-15 Shin-Yokohama  
Kohoku-Ku, Yokohama  
Kanagawa 222-0033 Japan  
Phone: 81-45-474-7571  
Fax: 81-45-474-7570

##### KOREA

4F, 823-14 Yeoksam-dong  
Kangnam-ku  
Seoul 135-080 Korea  
Phone: 822-561-9011  
Fax: 822-561-9021

##### SINGAPORE

99, Bukit Timah Road  
#04-03A Alfa Centre  
Singapore 229835  
Phone: 65-332-9188  
Fax: 65-337-1233

##### SHANGHAI

Room 1715  
No. 819 Nanjing W. Road  
Shanghai 200040 PRC  
Phone: 86-21-621-57630  
Fax: 86-21-621-57629

##### SHENZHEN

Unit A-F, 27th Floor  
Int'l Trade Commercial Building  
No. 3005 NanHu Road  
Shenzhen, China 518014  
Phone: 86-755-519-5166  
Fax: 86-755-519-5007

##### TAIWAN

A2, 13FL, No. 51, Sec. 3  
Minsheng E. Road  
Taipei, Taiwan  
Phone: 886-22-517-4938  
Fax: 886-22-517-4937

© C-Cube Microsystems, 1999. All rights reserved. Printed in USA

Part Number: 90-0680-201

*Disclaimer:* All data, circuits and designs included in this C-Cube publication (collectively called the "Designs") are provided to you without warranty. C-Cube makes no warranties whatsoever, express or implied, relating to the Design, and expressly excludes any warranty of merchantability, fitness for a particular purpose or non-infringement of any proprietary rights of third parties. C-Cube grants to you, under its own proprietary rights related to the Design, the right to manufacture, have manufactured, distribute and use any products which use C-Cube integrated circuits and which incorporate any part of the Design.

You shall be solely responsible for obtaining all necessary licenses required to use the Design and shall indemnify, defend, and hold C-Cube harmless from any and all liability, loss, costs, damage, judgment or expense (including attorneys' fees and costs) resulting from or arising out of your manufacture, use and sale or your customer's use or resale of products using any part of the Design which results in infringement of any third party patents, copyrights or other proprietary rights. Any use of the Design shall constitute your acceptance of all the above terms and conditions.

C-Cube Microsystems reserves the right to change any products described herein at any time and without notice. C-Cube Microsystems assumes no responsibility or liability arising from the use of the products described herein, except as expressly agreed to in writing by C-Cube Microsystems. The use and purchase of this product do not convey a license under any patent rights, copyrights, trademark rights, or any other intellectual property rights of C-Cube Microsystems. C-Cube and the corporate logo are registered trademarks of C-Cube Microsystems. All other trademarks are the property of their respective owners.