

# PRELIMINARY

Notice. This is not a final specification.  
Some parametric limits are subject to change.

MITSUBISHI ICs (AV COMMON)

## M52790SP/FP

AV SWITCH with I2C BUS CONTROL

### DESCRIPTION

The M52790 is AV switch semiconductor integrated circuit with I2C bus control .

This IC contains 2-channels of 4-input audio switches and 2-channels of 4-input video switches. Each channel can be controlled independently .

The video switches contain amplifiers can be controlled a gain of output 0dB or 6dB .

### FEATURES

- Video and stereo sound switches in one package
- Wide frequency range ( video switch ).....DC~20MHz
- High separation ( video switch )  
.....Crosstalk -60dB ( typ. ) at 1MHz
- Two types of packages are provided : SDIP with a lead pitch of 1.778mm ( M52790SP ) ; and SSOP with a lead pitch of 0.8mm ( M52790FP ) .

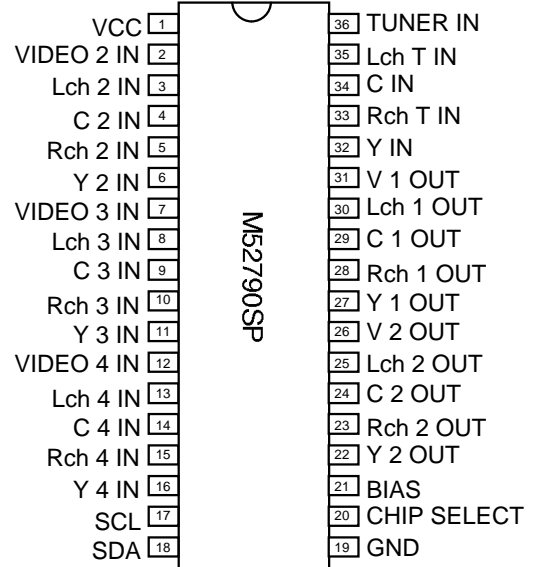
### APPLICATION

Video equipment

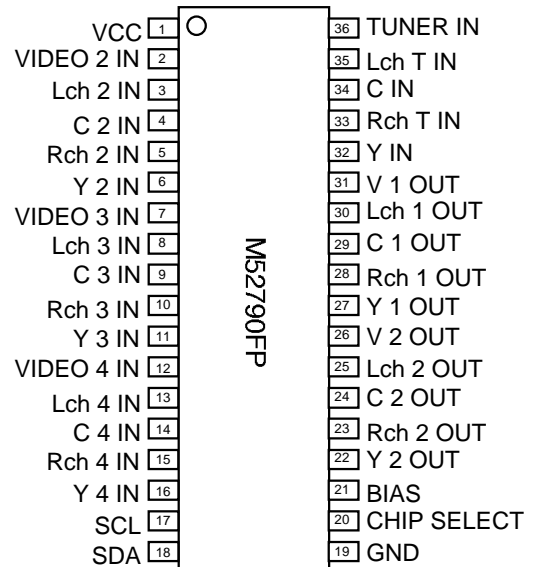
### RECOMMENDED OPERATING CONDITION

Supply voltage	4.7V ~ 9.3V
Rated supply voltage	5V,9V
Maximum output current	63mA(at 9V)

### PIN CONFIGURATION ( TOP VIEW )



### PIN CONFIGURATION ( TOP VIEW )



# PRELIMINARY

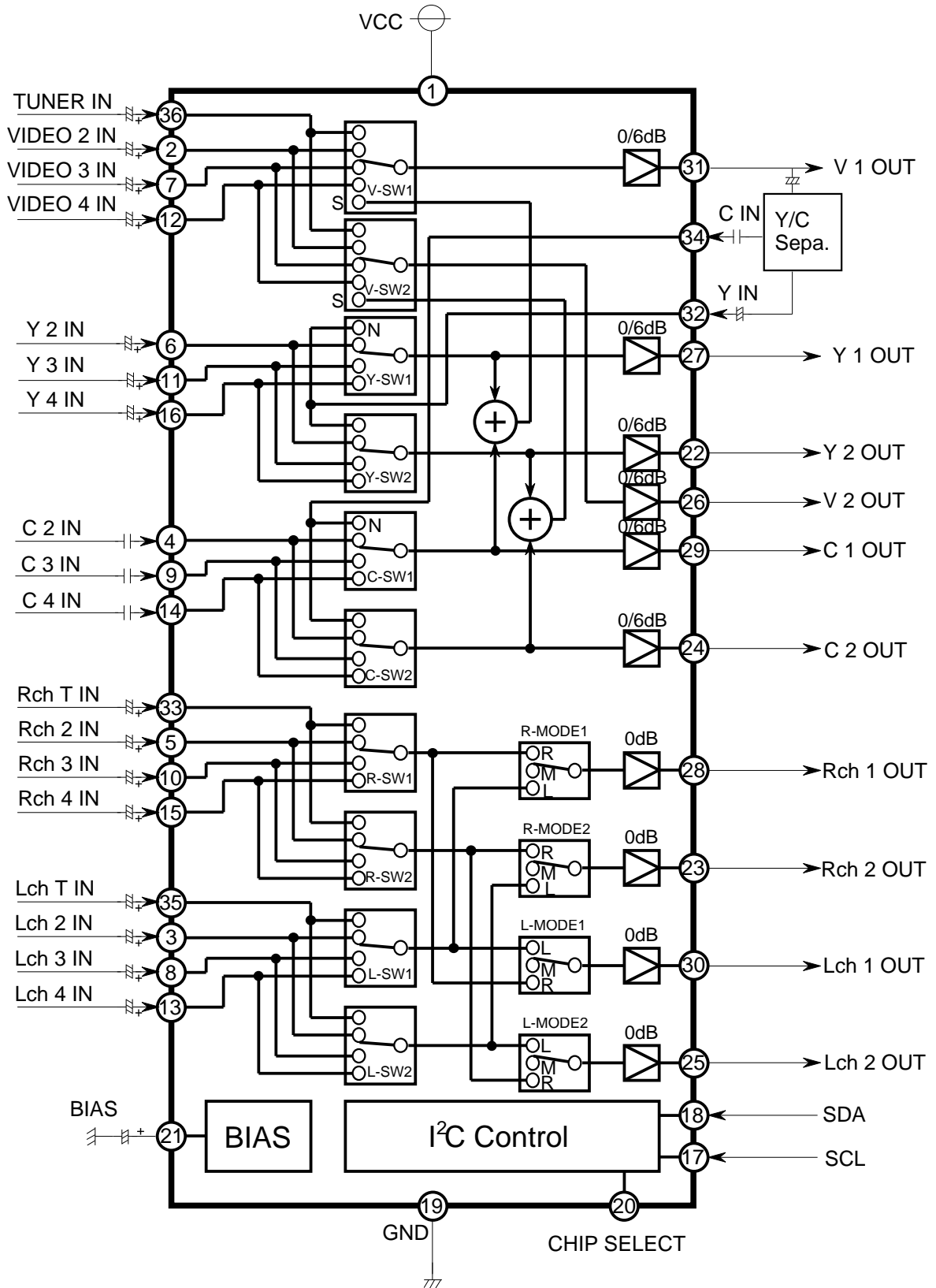
Notice. This is not a final specification.  
Some parametric limits are subject to change.

MITSUBISHI ICs (AV COMMON)

## M52790SP/FP

AV SWITCH with I2C BUS CONTROL

### BLOCK DIAGRAM



# PRELIMINARY

Notice. This is not a final specification.  
Some parametric limits are subject to change.

MITSUBISHI ICs (AV COMMON)

**M52790SP/FP**

AV SWITCH with I2C BUS CONTROL

## DESCRIPTION OF PIN

Pin No.	Name	Peripheral circuit pins	DC voltage(V)	Remarks
1	Vcc		9V	5~9V
2	VIDEO 2 IN		3.6V	Clamp in
6	Y 2 IN			
7	VIDEO 3 IN			
11	Y 3 IN			
12	VIDEO 4 IN			
16	Y 4 IN			
32	Y IN			
36	TUNER IN			
3	Lch 2 IN			
5	Rch 2 IN			
8	Lch 3 IN			
10	Rch 3 IN			
13	Lch 4 IN			
15	Rch 4 IN			
33	Rch T IN			
35	Lch T IN			
4	C 2 IN		4.7V	
9	C 3 IN			
14	C 4 IN			
34	C IN			
17	SCL			
18	SDA	$V_{IL}$ max.=1.5V $V_{IH}$ min.=3.0V $V_{OL}$ max.=0.4V (at $I_{in}$ =3mA)		

# PRELIMINARY

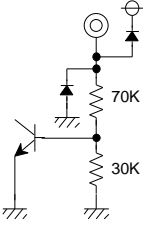
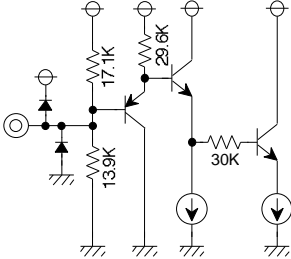
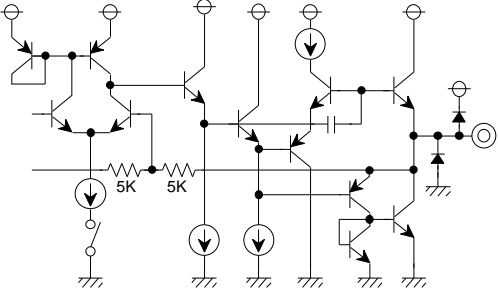
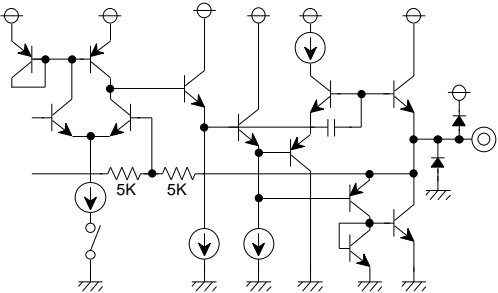
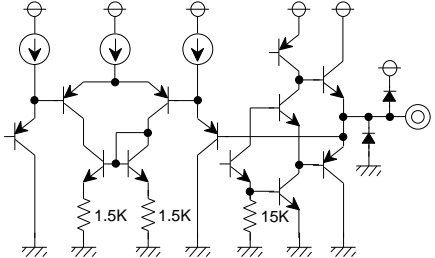
Notice. This is not a final specification.  
Some parametric limits are subject to change.

MITSUBISHI ICs (AV COMMON)

**M52790SP/FP**

AV SWITCH with I2C BUS CONTROL

## DESCRIPTION OF PIN (cont.)

Pin No.	Name	Peripheral circuit pins	DC voltage(V)	Remarks
19	GND			
20	CHIP SELECT			SLAVE ADDRESS 0~1.5V-----90H 2.5~Vcc-----92H OPEN-----90H
21	BIAS		4.2V	
22 26 27 31	Y 2 OUT V 2 OUT Y 1 OUT V 1 OUT		SYNC CHIP DC=2.9V	
24 29	C 2 OUT C 1 OUT		4.0V	
23 25 28 30	Rch 2 OUT Lch 2 OUT Rch 1 OUT Lch 1 OUT		4.0V	

# PRELIMINARY

Notice. This is not a final specification.  
Some parametric limits are subject to change.

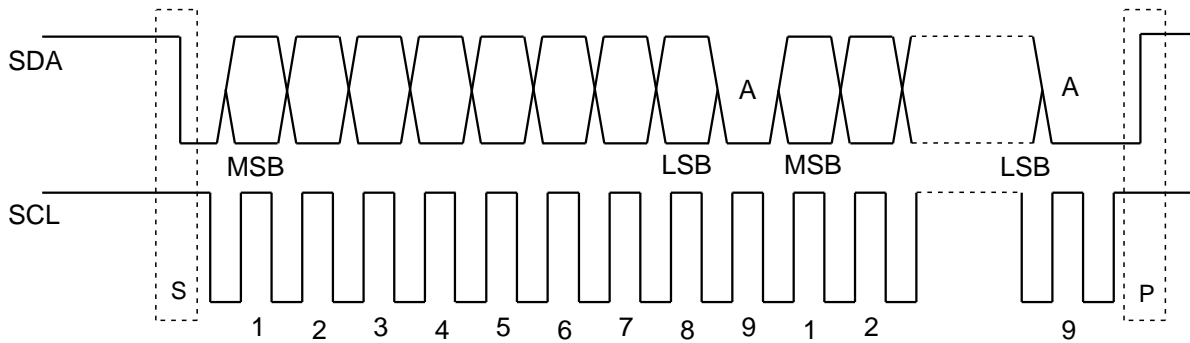
MITSUBISHI ICs (AV COMMON)

**M52790SP/FP**

AV SWITCH with I2C BUS CONTROL

## I<sup>2</sup>C BUS

I<sup>2</sup>C BUS (Inter IC BUS) is multi master bus system developed by PHILIPS . Two wires ( SDA - serial data, SCL - serial clock ) realize functions of start , stop , transferring data , synchronization and arbitration. The output stages of device connected to the bus must have an open drain or open collector in order to perform the wired-AND function .

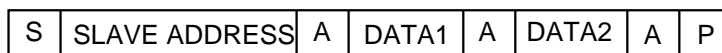


S ; Start condition, a high to low transition of the SDA line while SCL is high  
P ; Stop condition, a low to high transition of the SDA line while SCL is high  
A : Acknowledge

Every byte put on the SDA line must be 8-bits long . Each byte has to be followed by an acknowledge bit. Data is transferred with the most significant bit (MSB ) first . The data on the SDA line must be stable during the HIGH period of the clock . The HIGH or LOW state of the data line can only change when the clock signal on the SCL line is LOW .

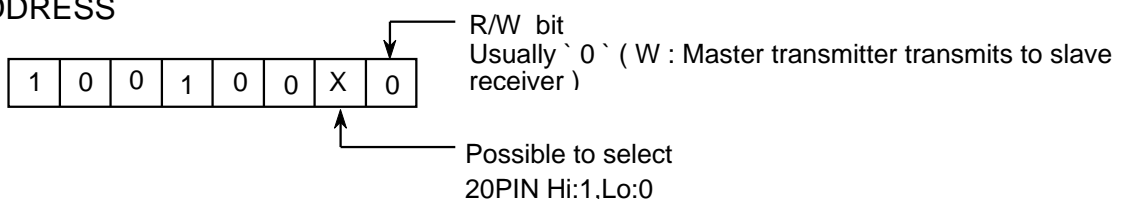
## CONTROL

This IC controls 2-channel switches with 2-byte data ( DATA1 and DATA2 ) . SW1 is controlled by DATA1 . SW2 is controlled by DATA2 .



S : Start  
A : Acknowledge  
P : Stop

## SLAVE ADDRESS



# PRELIMINARY

Notice. This is not a final specification.  
Some parametric limits are subject to change.

MITSUBISHI ICs (AV COMMON)

M52790SP/FP

AV SWITCH with I2C BUS CONTROL

## Data byte format

M52790 FUNCTION TABLE

S	SLAVE ADDRESS	A	DATA(D7~D0)	A	DATA(DF~D8)	A	P
---	---------------	---	-------------	---	-------------	---	---

### SLAVE ADDRESS

SLAVE ADDRESS	A6	A5	A4	A3	A2	A1	A0	R/W
	1	0	0	1	0	0	0/1	0

### DATA1(D7~D0) CONT

DATA CONT	D7	D6	D5	D4	D3	D2	D1	D0
	AUDIO MODE1			Y/C AMP1	V AMP1	S/N	SW1 CONT	

### VIDEO SW1 CONT

DATA			OUT		
S/N(S:1)	V-SW1		V OUT1	Y OUT1	C OUT1
D2	D1	D0			
0	0	0	T IN	Y IN	C IN
0	0	1	V 2 IN	Y IN	C IN
0	1	0	V 3 IN	Y IN	C IN
0	1	1	V 4 IN	Y IN	C IN
1	0	0	Y/C MIX T	Y IN	C IN
1	0	1	Y/C MIX 2	Y 2 IN	C 2 IN
1	1	0	Y/C MIX 3	Y 3 IN	C 3 IN
1	1	1	Y/C MIX 4	Y 4 IN	C 4 IN

### AMP1 GAIN CONT.

DATA	AMP	DATA	AMP
D4	YC AMP1	D3	V AMP1
0	0dB	0	0dB
1	6dB	1	6dB

### AUDIO MODE1 CONT

DATA		MODE
D7	D6	
0	0	MUTE
0	1	R/R
1	0	L/L
1	1	NORMAL

### AUDIO SW1 CONT

MODE		MUTE		R/R		L/L		NORMAL	
DATA		OUT		OUT		OUT		OUT	
D1	D0	Lch OUT 1	Rch OUT 1	Lch OUT 1	Rch OUT 1	Lch OUT 1	Rch OUT 1	Lch OUT 1	Rch OUT 1
0	0	MUTE	MUTE	Rch T IN	Rch T IN	Lch T IN	Lch T IN	Lch T IN	Rch T IN
0	1	MUTE	MUTE	Rch 2 IN	Rch 2 IN	Lch 2 IN	Lch 2 IN	Lch 2 IN	Rch 2 IN
1	0	MUTE	MUTE	Rch 3 IN	Rch 3 IN	Lch 3 IN	Lch 3 IN	Lch 3 IN	Rch 3 IN
1	1	MUTE	MUTE	Rch 4 IN	Rch 4 IN	Lch 4 IN	Lch 4 IN	Lch 4 IN	Rch 4 IN

### DATA2(DF~D8) CONT

DATA CONT	DF	DE	DD	DC	DB	DA	D9	D8
	AUDIO MODE2			Y/C AMP2	V AMP2	S/N	SW2 CONT	

### VIDEO SW2 CONT

DATA			OUT		
S/N(S:1)	V-SW2		V OUT2	Y OUT2	C OUT2
DA	D9	D8			
0	0	0	T IN	Y IN	C IN
0	0	1	V 2 IN	Y 2 IN	C 2 IN
0	1	0	V 3 IN	Y 3 IN	C 3 IN
0	1	1	V 4 IN	Y 4 IN	C 4 IN
1	0	0	Y/C MIX T	Y IN	C IN
1	0	1	Y/C MIX 2	Y 2 IN	C 2 IN
1	1	0	Y/C MIX 3	Y 3 IN	C 3 IN
1	1	1	Y/C MIX 4	Y 4 IN	C 4 IN

### AMP2 GAIN CONT.

DATA	AMP	DATA	AMP
DC	YC AMP2	DB	V AMP2
0	0dB	0	0dB
1	6dB	1	6dB

### AUDIO MODE2 CONT

DATA		MODE
DF	DE	
0	0	MUTE
0	1	R/R
1	0	L/L
1	1	NORMAL

### AUDIO SW2 CONT

MODE		MUTE		R/R		L/L		NORMAL	
DATA		OUT		OUT		OUT		OUT	
D9	D8	Lch OUT 2	Rch OUT 2	Lch OUT 2	Rch OUT 2	Lch OUT 2	Rch OUT 2	Lch OUT 2	Rch OUT 2
0	0	MUTE	MUTE	Rch T IN	Rch T IN	Lch T IN	Lch T IN	Lch T IN	Rch T IN
0	1	MUTE	MUTE	Rch 2 IN	Rch 2 IN	Lch 2 IN	Lch 2 IN	Lch 2 IN	Rch 2 IN
1	0	MUTE	MUTE	Rch 3 IN	Rch 3 IN	Lch 3 IN	Lch 3 IN	Lch 3 IN	Rch 3 IN
1	1	MUTE	MUTE	Rch 4 IN	Rch 4 IN	Lch 4 IN	Lch 4 IN	Lch 4 IN	Rch 4 IN

# PRELIMINARY

Notice. This is not a final specification.  
Some parametric limits are subject to change.

MITSUBISHI ICs (AV COMMON)

**M52790SP/FP**

AV SWITCH with I2C BUS CONTROL

## ELECTRICAL CHARACTERISTICS

(Ta=25°C, Vcc=9V, unless otherwise noted)

Parameter	Symbol	Test condition	Min.	Typ.	Max.	Unit	
Supply voltage	Vcc		4.7	-	9.3	V	
Circuit current	Icc	Vcc=9V, Vin=0Vp-p, RI=	-	63	83	mA	
		Vcc=5V, Vin=0Vp-p, RI=	-	54	71		
<b>VIDEO</b>							
Voltage gain	G	f=100kHz, 1Vp-p (0dB)(T→V1OUT)	-0.5	0	0.5	dB	
		f=100kHz, 1Vp-p (6dB)(T→V1OUT)	5.5	6	6.5		
		f=100kHz, 1Vp-p (0dB)(Y→V1OUT)	-0.5	0	0.5		
		f=100kHz, 1Vp-p (6dB)(Y→V1OUT)	5.5	6	6.5		
Frequency characteristics	F	f=10MHz/100kHz, 1Vp-p (0dB)(T→V1OUT)	-2.0	0	2.0	dB	
		f=10MHz/100kHz, 1Vp-p (6dB)(T→V1OUT)	-2.0	0	2.0		
		f=10MHz/100kHz, 1Vp-p (0dB)(Y→V1OUT)	-2.0	0	2.0		
		f=10MHz/100kHz, 1Vp-p (6dB)(Y→V1OUT)	-2.0	0	2.0		
Dynamic Range	D	Vcc=9V(0dB)(T→V1OUT)	f=100kHz Maximum with distortion <1.0%	4	-	-	Vp-p
		Vcc=5V(0dB)(T→V1OUT)		2	-	-	
		Vcc=9V(0dB)(Y→V1OUT)		4	-	-	
		Vcc=5V(0dB)(Y→V1OUT)		2	-	-	
Input impedance	ZIC	(C, C2, C3, C4)	14	20	26	k	
	ZIV	Clamp in(T, V2, V3, V4)	-	-	-		
	ZIY	Clamp in(Y, Y2, Y3, Y4)	-	-	-		
Crosstalk	CT	f=1MHz, 1Vp-p T→V1OUT (at V2 mode)	-	-60	-54	dB	
<b>AUDIO</b>							
Voltage gain	G	f=1kHz, 1Vp-p (Vcc9V)(RT→R1OUT)	-0.5	0	0.5	dB	
		f=1kHz, 1Vp-p (Vcc5V)(RT→R1OUT)	-0.5	0	0.5		
Frequency characteristics	F	f=100kHz/1kHz, 1Vp-p(RT→R1OUT)	-2.0	0	1	dB	
Total harmonic distortion	THD	f=1kHz, 2Vp-p, at 400HzHPF+30kHzLPF (RT→R1OUT)	-	0.01	0.05	%	
Dynamic Range	D	f=1kHz, Maximum with distortion<0.5% (RT→R1OUT)	5.5	6.0	-	Vp-p	
Output DC offset voltage	VOFF	(MODE:RT, R2, R3, R4→R1OUT)	-20	0	20	mV	
Input impedance	Z1	(RT, R2, R3, R4, LT, L2, L3, L4)	22	30	38	k	
Crosstalk	CT	1kHz, 1Vp-p RT→R1OUT(at R2 mode)	-	-90	-84	dB	

# PRELIMINARY

Notice. This is not a final specification.  
Some parametric limits are subject to change.

MITSUBISHI ICs (AV COMMON)

**M52790SP/FP**

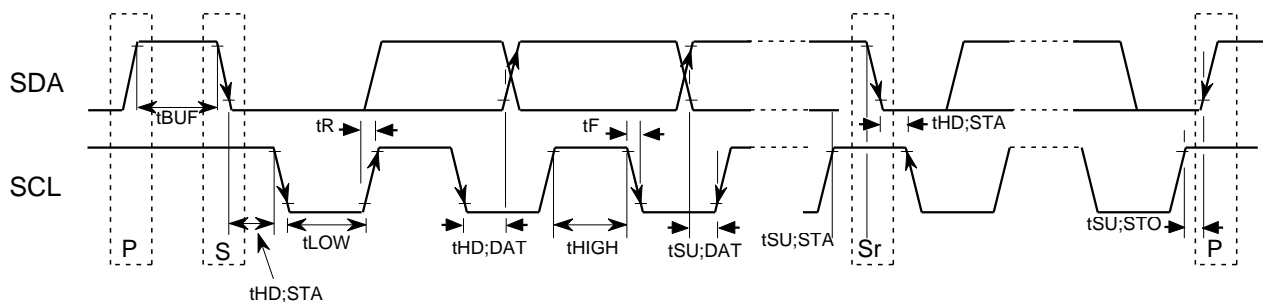
AV SWITCH with I2C BUS CONTROL

## ELECTRICAL CHARACTERISTICS

(Ta=25°C, Vcc=9V, unless otherwise noted)

Parameter	Symbol	Test condition	Min.	Typ.	Max.	Unit
I2C BUS CONTROL SIGNAL						
Max. input high voltage	V <sub>IH</sub>		3.0	-	5.0	V
Min. input low voltage	V <sub>IL</sub>		0.0	-	1.5	
Low level output voltage(SDA)	V <sub>OL</sub>	SDA = 3mA	0.0	-	0.4	
High level input current	I <sub>IH</sub>	SDA, SCL = 4.5 V	-10	-	10	μA
Low level input current	I <sub>IL</sub>	SDA, SCL = 0.4 V	-10	-	10	
SCL clock frequency	f <sub>SCL</sub>		0.0	-	100	kHz
Time of bus must be free before a new transmission can start	t <sub>BUF</sub>		4.7	-	-	μS
Hold time at start condition	t <sub>HD;STA</sub>		4.0	-	-	
The low period of the clock	t <sub>LOW</sub>		4.7	-	-	
The high period of the clock	t <sub>HIGH</sub>		4.0	-	-	
Setup time for start condition	t <sub>SU;STA</sub>		4.7	-	-	nS
Hold time DATA	t <sub>HD;DAT</sub>		5.0	-	-	
Setup time DATA	t <sub>SU;DAT</sub>		250	-	-	
Rise time of both SDA and SCL line	t <sub>R</sub>		-	-	1000	
Fall time of both SDA and SCL line	t <sub>F</sub>		-	-	300	
Setup time for stop condition	t <sub>SU;STO</sub>		4.0	-	-	μS

## I<sup>2</sup>C BUS CONTROL SIGNAL





# PRELIMINARY

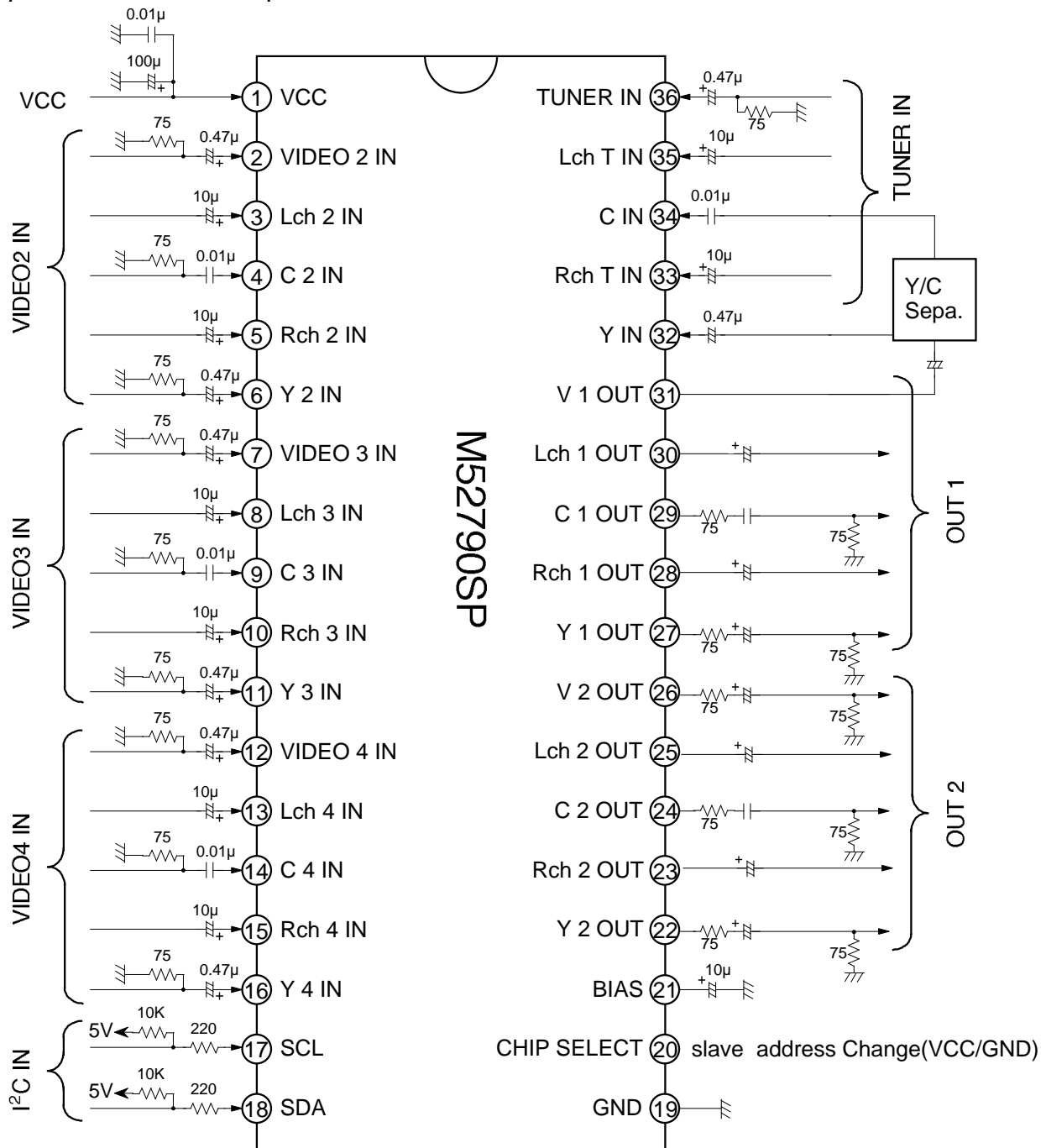
Notice. This is not a final specification.  
Some parametric limits are subject to change.

MITSUBISHI ICs (AV COMMON)

## M52790SP/FP

AV SWITCH with I2C BUS CONTROL

### Application Circuit Example



#### Note how to use this IC

Input signal with sufficient low impedance to input terminal.

The capacitance of output terminal as small as possible.

Set the capacitance between Vcc and GND near the pins if possible.

Assign an area as large as possible for grounding.

#### Power-on Reset

The M52790 has an internal power-on reset function that sets each control register to "0" during IC power ON.

The power-on reset VTH has 2.5V.