

SANYO	No.2073B	LA5527M
	Low-Voltage DC Motor Speed Controller	

Especially suited for controlling speed of a low-voltage (3V min.) DC motor for cassette tape recorders, 8mm motion-picture cameras, record players

Features

- . Wide operating voltage range (1.8 to 6V)
- . Easy to vary speed
- . Large starting torque
- . Easy to control rotational speed from very low speed to high speed

Maximum Ratings at Ta=25°C

Maximum Supply Voltage	V_{CCmax}	8	unit V
Allowable Power Dissipation	P_{dmax}	350	mW
Motor Current	I_m	700	mA
Operating Temperature	T_{opr}	-20 to +80	°C
Storage Temperature	T_{stg}	-40 to +150	°C

Operating Conditions at Ta=25°C

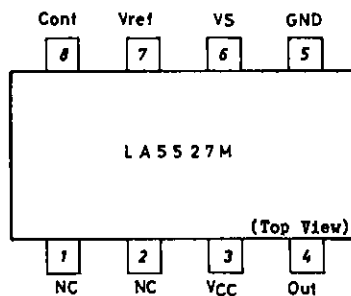
Supply Voltage Range	V_{CCop}	1.8 to 6	unit V
Recommended Operating Temperature	T_{opg}	-10 to +60	°C

Operating Characteristics at Ta=25°C

		min	typ	max	unit
Reference Voltage	V_{ref}	$V_{CC}=3V, I_m=100mA$ 1.15	1.25	1.3	V
Quiescent Current Dissipation	I_d	$V_{CC}=3V, I_m=100mA$	3.0	6.0	mA
Shunt Ratio	K	$V_{CC}=3V, I_m=50-150mA$ 45	50	55	
Residual Voltage	V_{sat}	$V_{CC}=3V, I_m=200mA$	0.3	0.5	V
Voltage Characteristic of Reference Voltage	$\frac{\Delta V_{ref}}{V_{ref}/\Delta V_{CC}}$	$V_{ref}=V_{cont}$ $V_{CC}=1.8to6V, I_m=100mA$	0.1	0.3	%/V

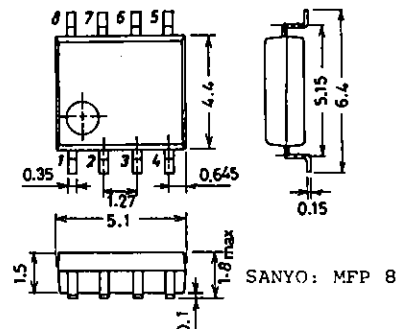
Continued on next page.

Pin Assignment



Package Dimensions 3032B

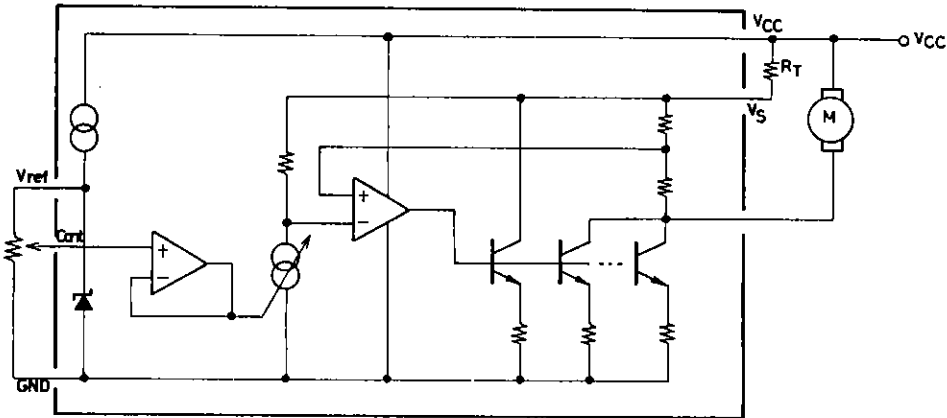
unit: mm



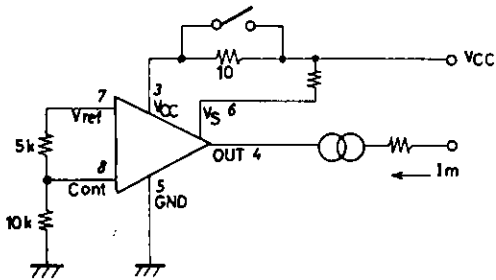
Continued from preceding page.

		$V_{CC}=2.0\text{ to }6\text{V}$	min	typ	max	unit
Voltage Characteristic of Shunt Ratio	$\frac{\Delta K}{K/\Delta V_{CC}}$	$I_m=50\text{--}150\text{mA}$	0.05	0.3		%/V
Current Characteristic of Reference Voltage	$\frac{\Delta V_{ref}}{V_{ref}/\Delta I_m}$	$V_{CC}=3\text{V}$ $I_m=20\text{ to }200\text{mA}$	0.005	0.01		%/mA
Current Characteristic of Shunt Ratio	$\frac{\Delta K}{K/\Delta I_m}$	$V_{CC}=3\text{V}$ $I_m=20\text{--}50\text{mA to }170\text{--}200\text{mA}$	-0.02-0.005	0.02		%/mA

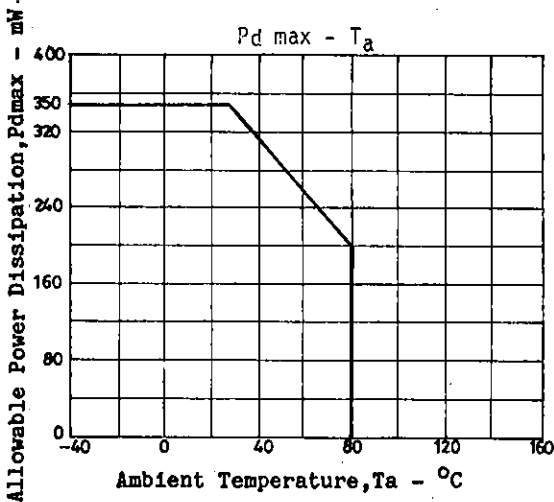
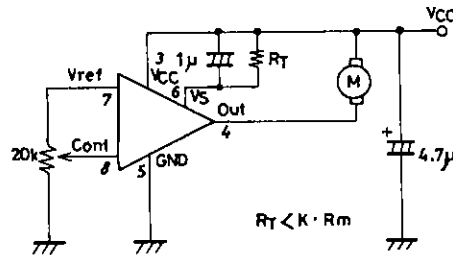
Equivalent Circuit Block Diagram



Test Circuit



Application Circuit



Unit (resistance: Ω, capacitance: F)

- No products described or contained herein are intended for use in surgical implants, life-support systems, aerospace equipment, nuclear power control systems, vehicles, disaster/crime-prevention equipment and the like, the failure of which may directly or indirectly cause injury, death or property loss.
- Anyone purchasing any products described or contained herein for an above-mentioned use shall:
 - ① Accept full responsibility and indemnify and defend SANYO ELECTRIC CO., LTD., its affiliates, subsidiaries and distributors and all their officers and employees, jointly and severally, against any and all claims and litigation and all damages, cost and expenses associated with such use:
 - ② Not impose any responsibility for any fault or negligence which may be cited in any such claim or litigation on SANYO ELECTRIC CO., LTD., its affiliates, subsidiaries and distributors or any of their officers and employees jointly or severally.
- Information (including circuit diagrams and circuit parameters) herein is for example only; it is not guaranteed for volume production. SANYO believes information herein is accurate and reliable, but no guarantees are made or implied regarding its use or any infringements of intellectual property rights or other rights of third parties.