

SHINDENGEN

Schottky Rectifiers (SBD)

Single

D2FS4

40V 1.6A

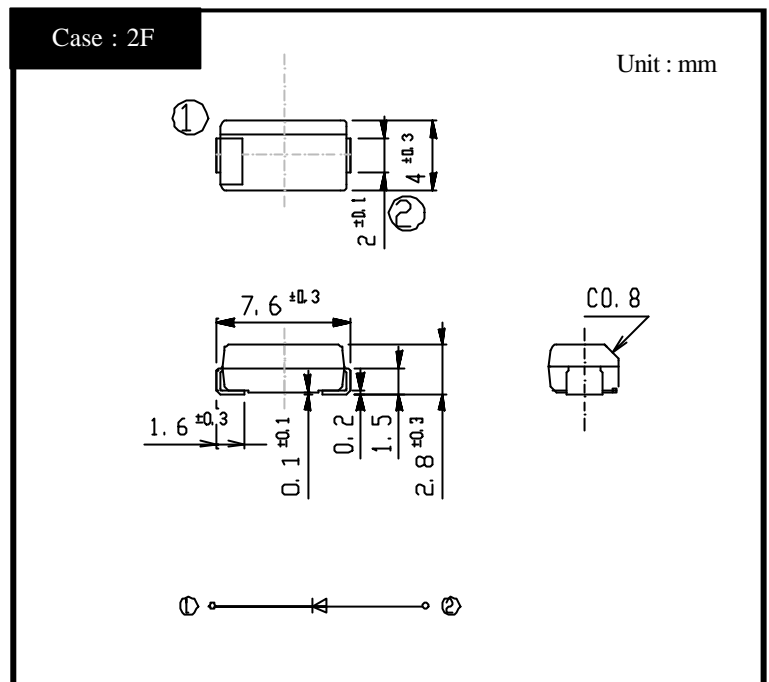
FEATURES

- Small SMT
- Tj150
- P_{RRSM} avalanche guaranteed

APPLICATION

- Switching power supply
- DC/DC converter
- Home Appliances, Office Equipment
- Telecommunication

OUTLINE DIMENSIONS



RATINGS

Absolute Maximum Ratings (If not specified Tl=25)

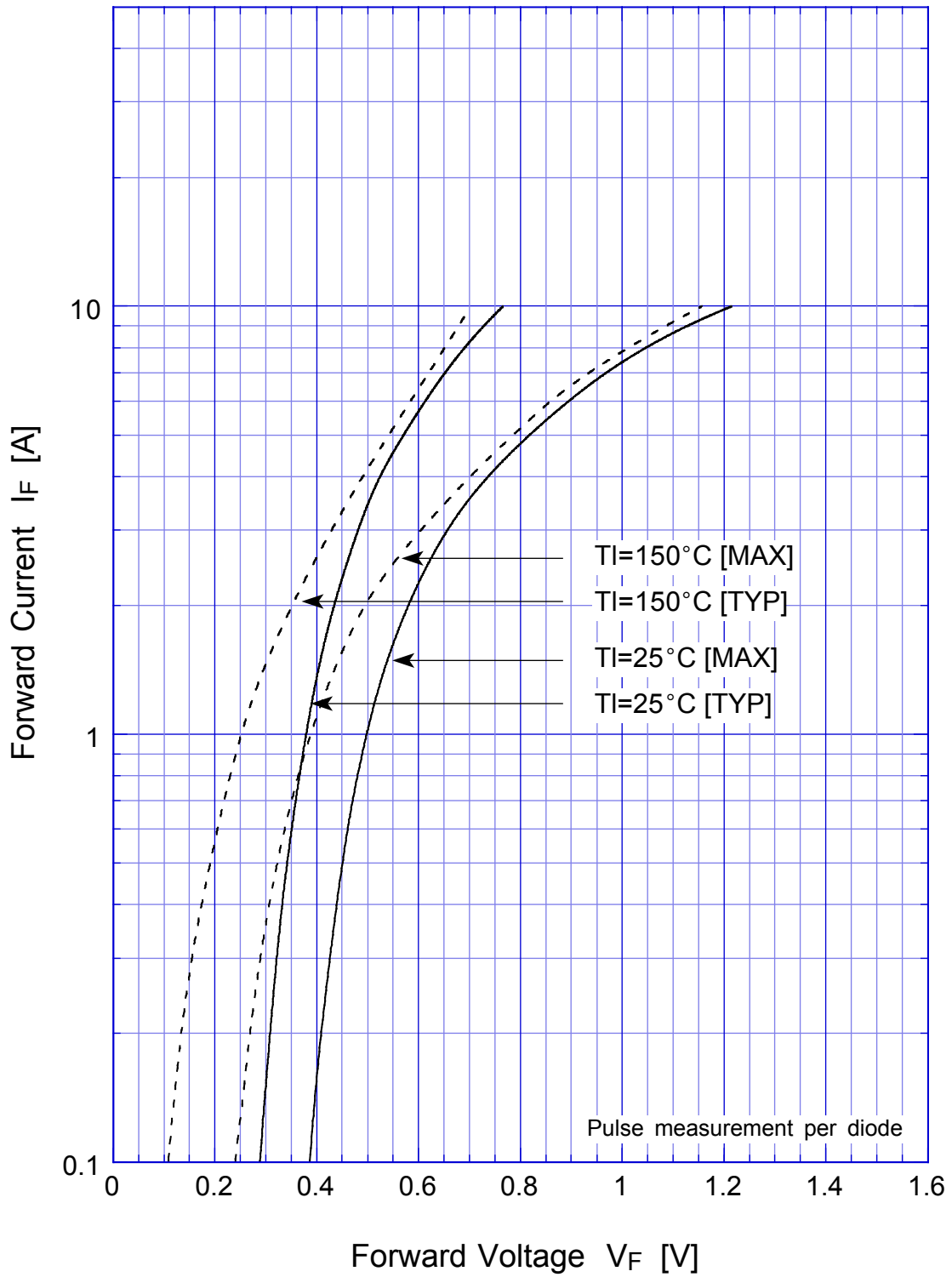
Item	Symbol	Conditions	Ratings	Unit
Storage Temperature	T _{stg}		-55 ~ 150	
Operating Junction Temperature	T _j		150	
Maximum Reverse Voltage	V _{RM}		40	V
Repetitive Peak Surge Reverse Voltage	V _{RRSM}	Pulse width 0.5ms, duty 1/40	45	V
Average Rectified Forward Current	I _o	50Hz sine wave, R-load Ta=34 On alumina substrate	1.6	A
		50Hz sine wave, R-load Ta=25 On glass-epoxy substrate	1.3	
Peak Surge Forward Current	I _{FSM}	50Hz sine wave, Non-repetitive 1 cycle peak value, Tj=125	60	A
Repetitive Peak Surge Reverse Power	P _{RRSM}	Pulse width 10 μs, Tj=25	330	W

Electrical Characteristics (If not specified Tl=25)

Item	Symbol	Conditions	Ratings	Unit
Forward Voltage	V _F	I _F =1.6A, Pulse measurement	Max.0.55	V
Reverse Current	I _R	V _R =V _{RM} , Pulse measurement	Max.2.5	mA
Junction Capacitance	C _j	f=1MHz, V _R =10V	Typ.150	pF
Thermal Resistance	j-l	junction to lead	Max.24	/W
	ja	junction to ambient On alumina substrate	Max.90	
		junction to ambient On glass-epoxy substrate	Max.120	

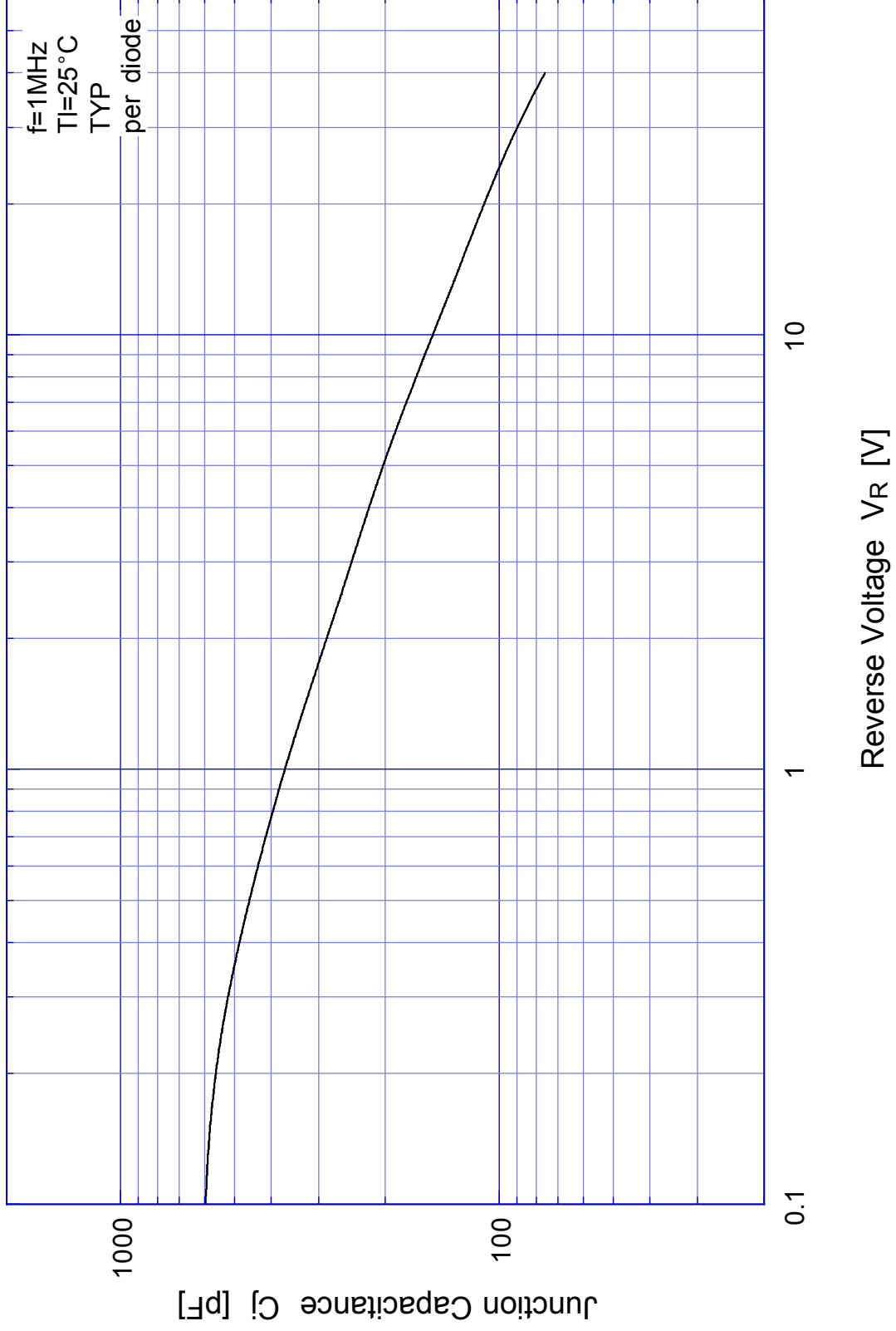
D2FS4

Forward Voltage



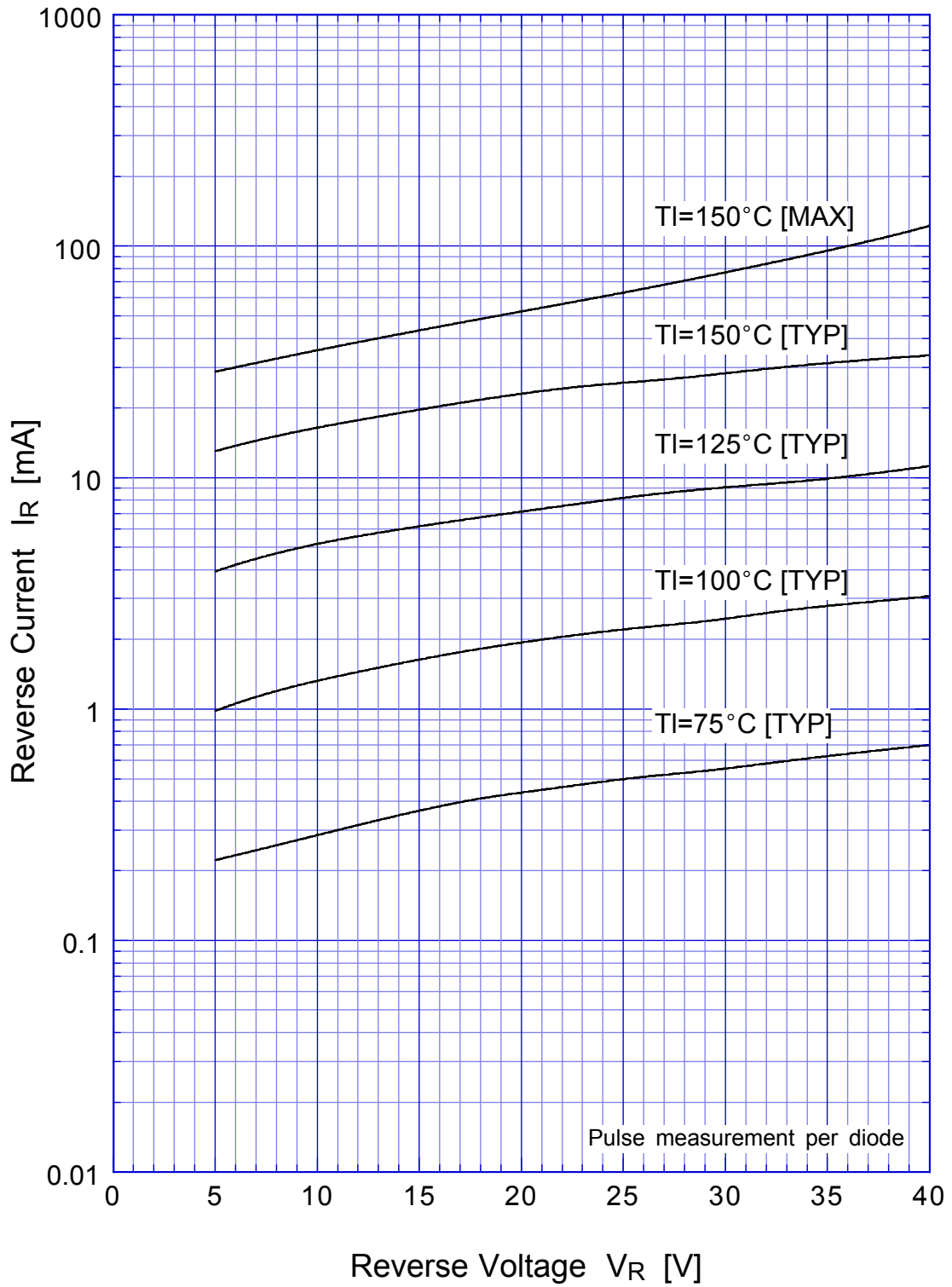
D2FS4

Junction Capacitance



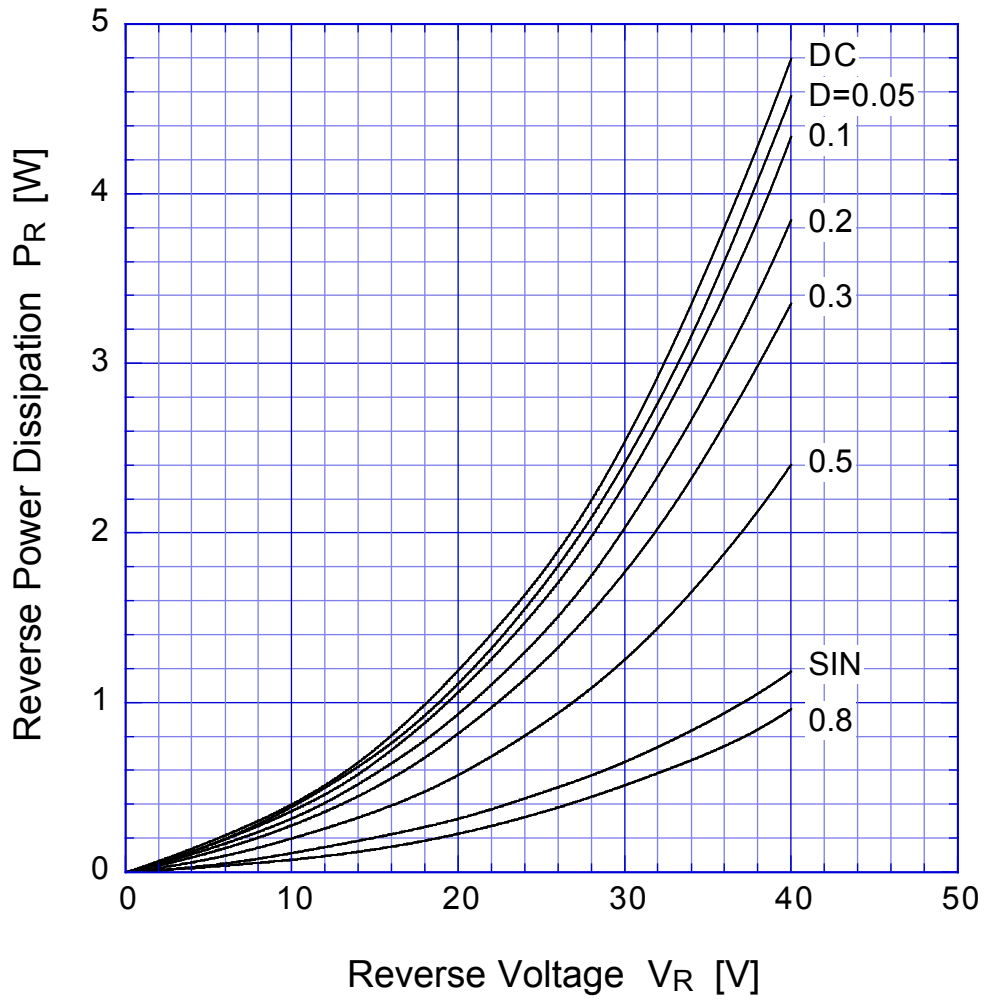
D2FS4

Reverse Current

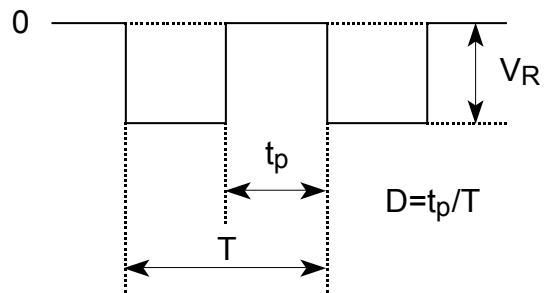


D2FS4

Reverse Power Dissipation

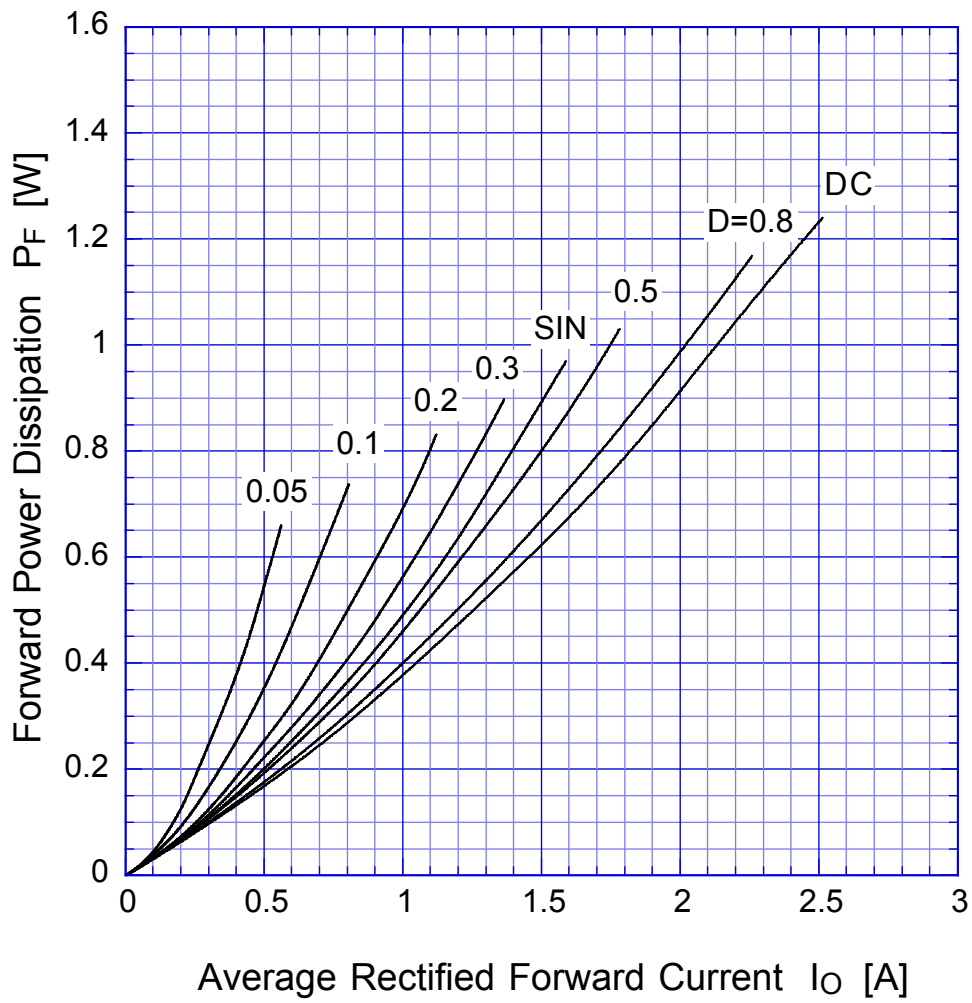


$T_j = 150^\circ\text{C}$

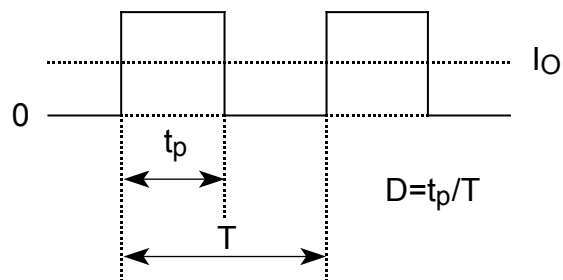


D2FS4

Forward Power Dissipation

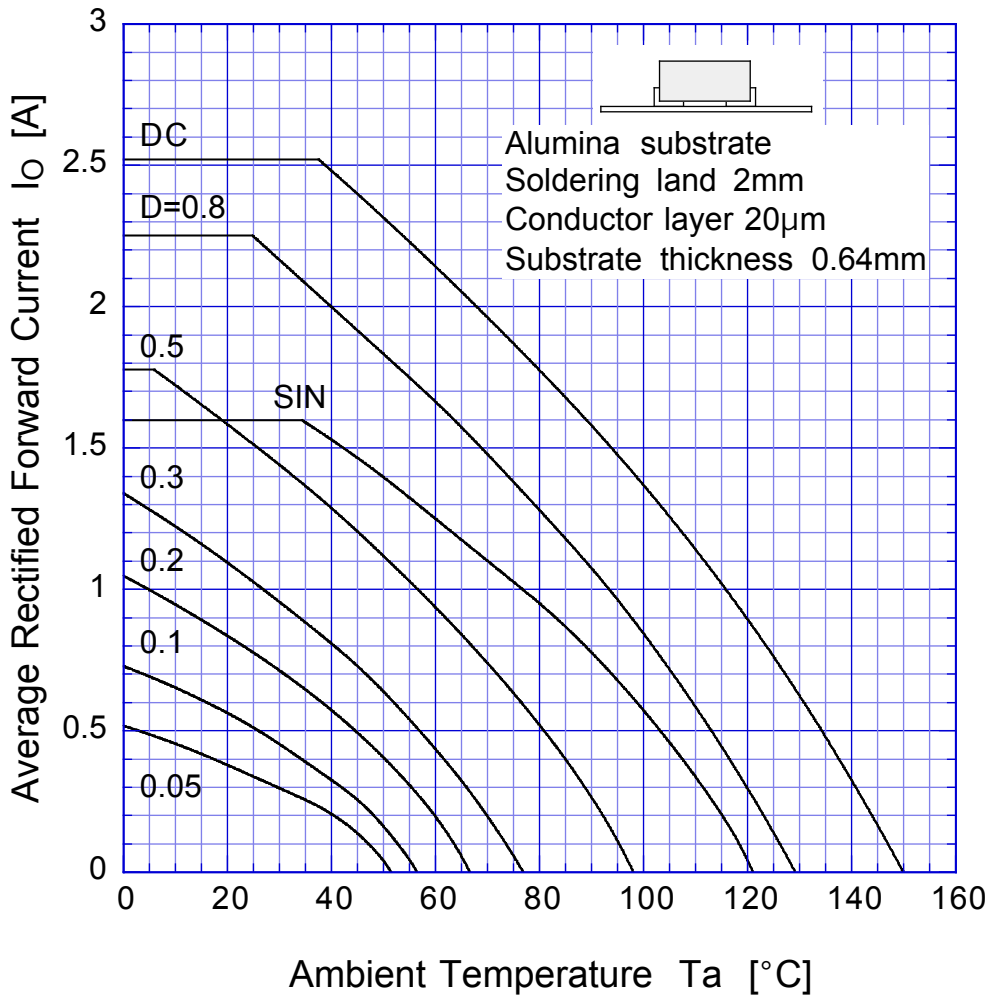


$T_j = 150^\circ\text{C}$

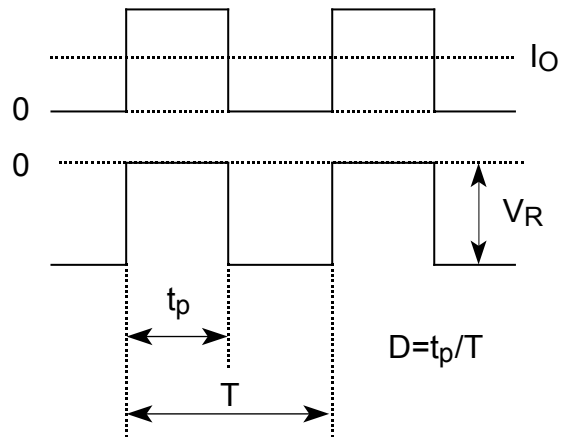


D2FS4

Derating Curve

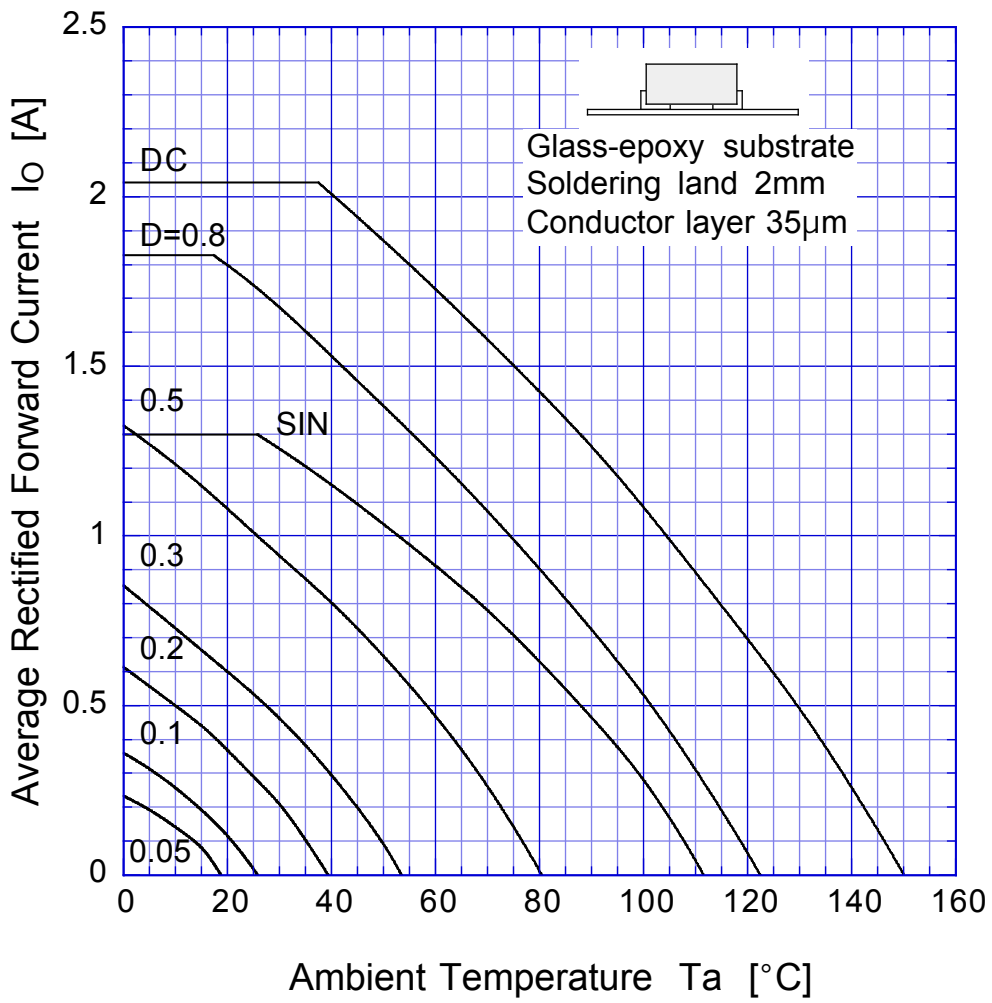


$V_R = 20V$

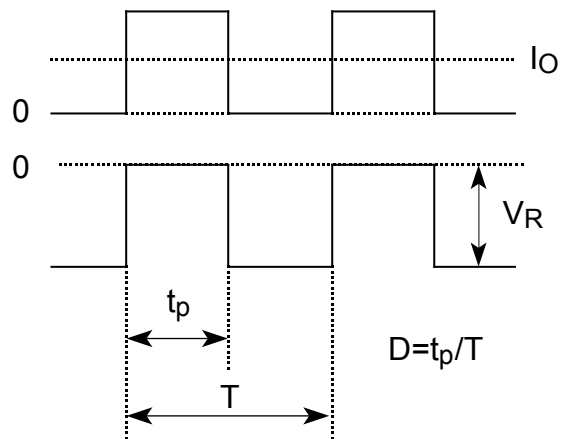


D2FS4

Derating Curve

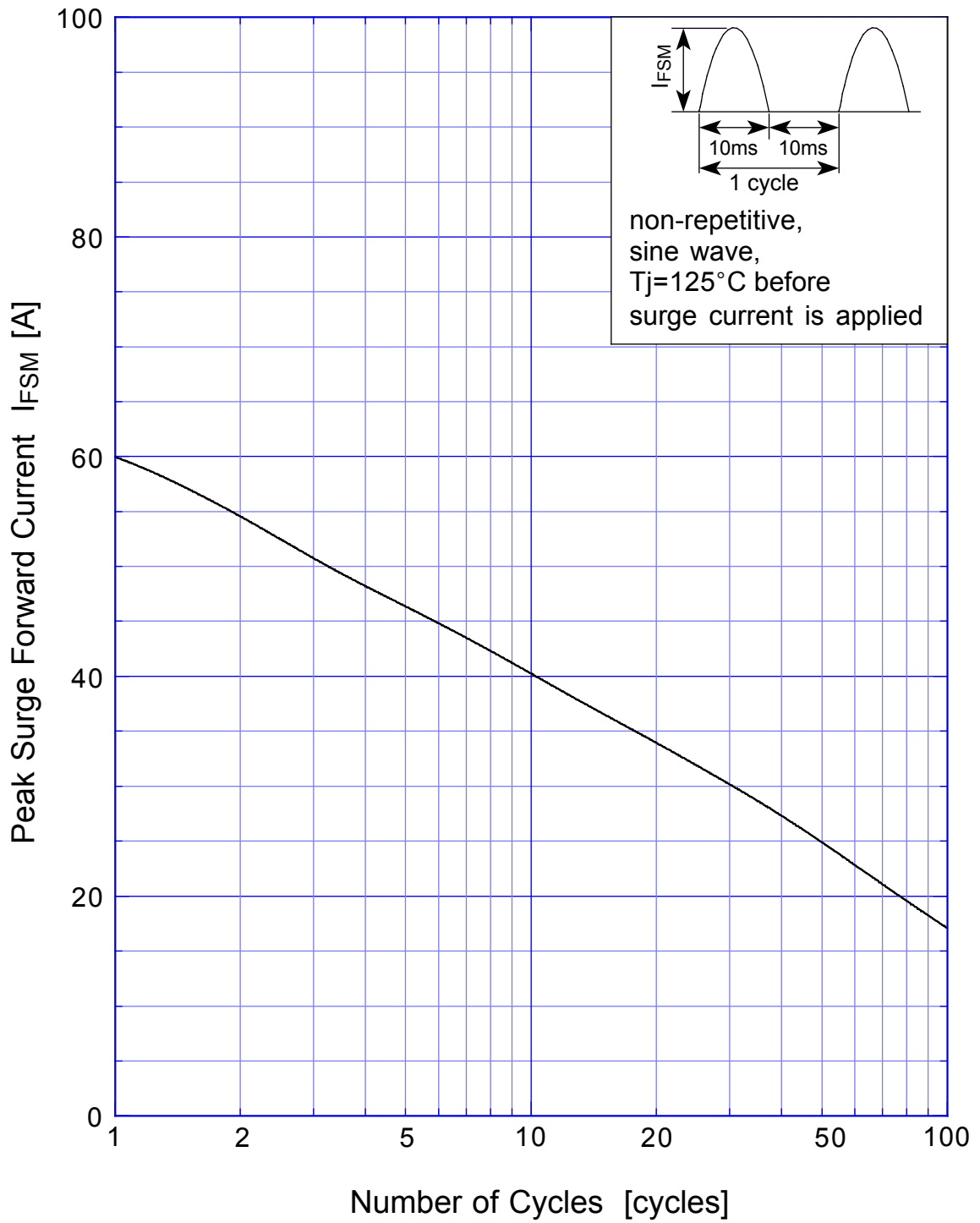


$V_R = 20V$

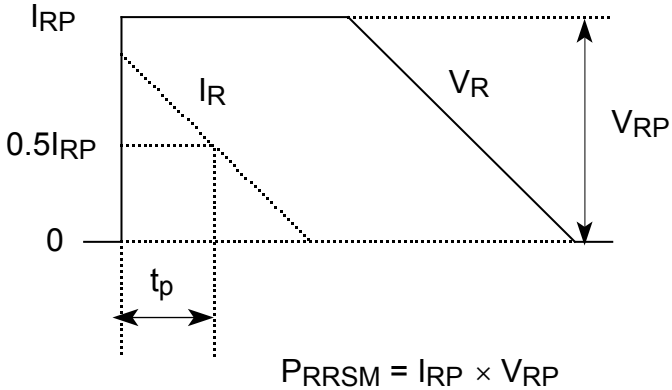
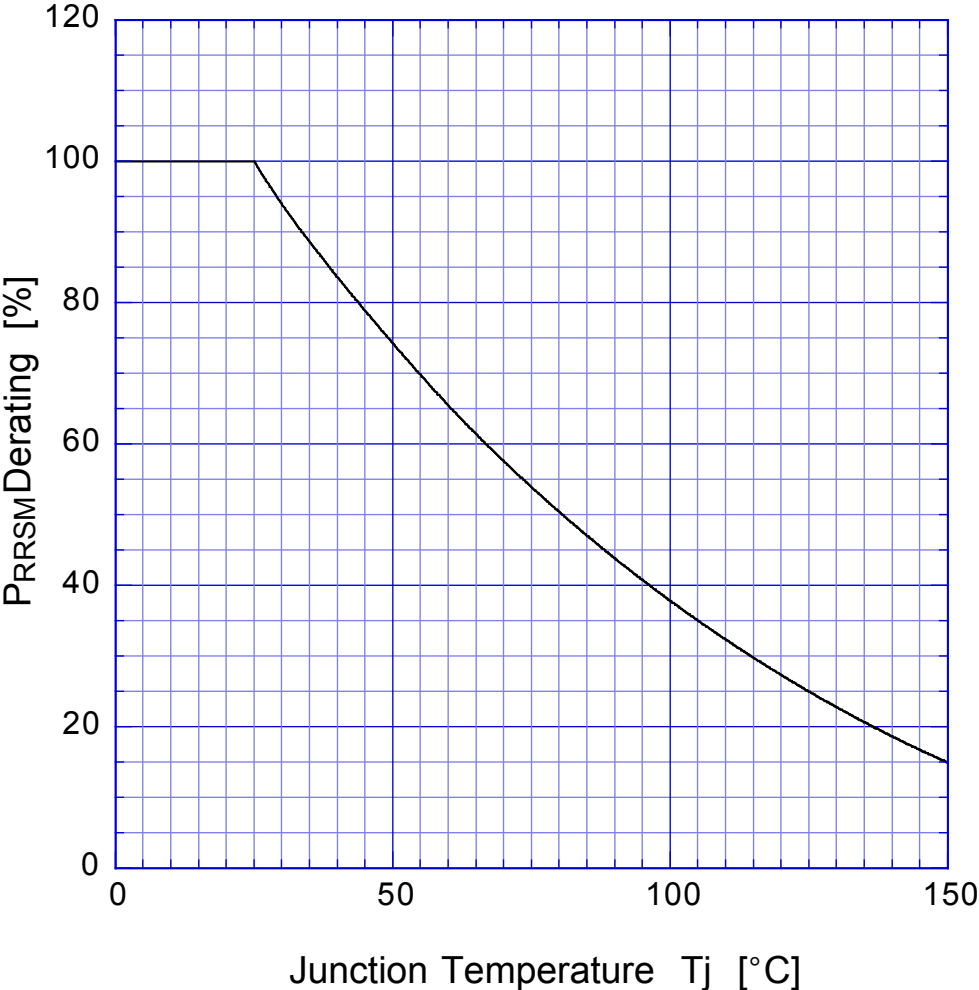


D2FS4

Peak Surge Forward Capability



SBD Repetitive Surge Reverse Power Derating Curve



SBD

Repetitive Surge Reverse Power Capability

