

BIPOLAR ANALOG INTEGRATED CIRCUIT

μ PC1686G/GV

GENERAL PURPOSE 5 V FREQUENCY DOWN-CONVERTER IC

DESCRIPTION

The μ PC1686 is Silicon monolithic IC designed for VHF band receiver applications. This IC consists of double balanced mixer, local oscillator, IF amplifier, and voltage regulator.

The package is 8-pin SOP or SSOP suitable for high-density surface mount.

FEATURES

- VHF/CATV band operation
- Single-end push-pull IF amplifier suppresses fluctuation in output impedance.
- Good capability of VHF-varactor diode due to balanced amplifier oscillator
- Supply voltage: 5 V
- Packaged in 8-pin SOP or SSOP suitable for high-density mounting

★

APPLICATIONS

- Tuners for TV and VCR
- Receivers for VHF band

ORDERING INFORMATION

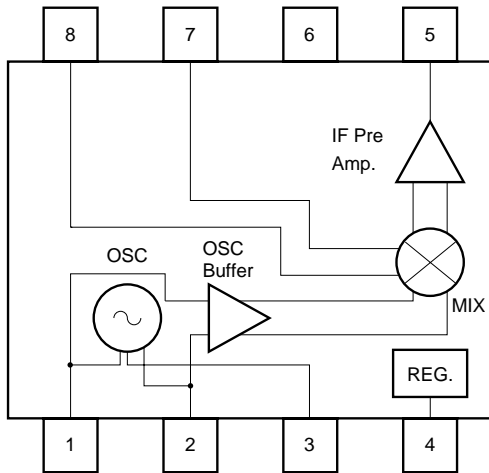
Part Number	Package	Supplying Form
μ PC1686G-E1	8-pin plastic SOP (225 mil)	Embossed tape 12 mm wide. Pin 1 indicates pull-out direction of tape. Qty 2.5 kp/reel.
μ PC1686GV-E1	8-pin plastic SSOP (175 mil)	Embossed tape 8 mm wide. Pin 1 indicates pull-out direction of tape. Qty 1 kp/reel.

Remark To order evaluation samples, please contact your local NEC office. (Part number for sample order: μ PC1686G, μ PC1686GV)

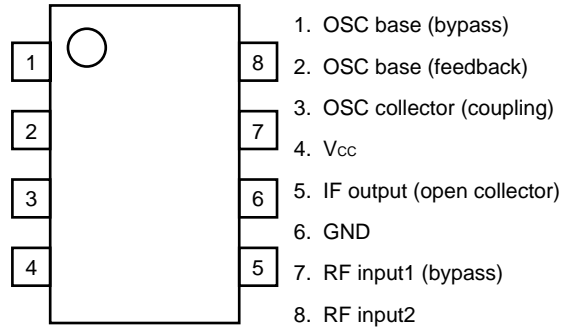
Caution Electro-static sensitive devices

The information in this document is subject to change without notice. Before using this document, please confirm that this is the latest version.
Not all devices/types available in every country. Please check with local NEC representative for availability and additional information.

INTERNAL BLOCK DIAGRAM



PIN CONFIGURATION (Top View)



PIN EXPLANATION

Pin No.	Symbol	Function and Explanation	Equivalent Circuit
1	OSC base (bypass)	Internal oscillator consists in balance amplifier. 2 pin and 3 pin should be externally equipped with tank resonator circuit in order to oscillate with feedback loop.	
2	OSC base (feedback)	1 pin should be grounded through approximate 10 pF coupling capacitor.	
3	OSC collector (coupling)	3 pin is defined as open collector. This pin should be coupled through resistor or chock coil in order to adjust Q and be supplied voltage. In case of abnormal oscillation, adjust its Q lower to stabilize the operation.	
4	Vcc	Supply voltage pin for the IC.	
5	IF output	IF output pin. IF amplifier is designed as single-end push-pull amplifier. This pin is assigned for the emitter follower output with 50 Ω constant resistive impedance in wide band.	
6	GND	GND pin for the IC.	
7	RF input 1 (bypass)	7 pin and 8 pin are inputs for mixer designed as double balanced type. Either pin can be assigned for input and another for ground.	
8	RF input 2		

★ ABSOLUTE MAXIMUM RATINGS

Parameter	Symbol	Conditions	Rating	Unit
Supply Voltage	V _{CC}	T _A = +25 °C	6.0	V
Power Dissipation	P _D	T _A = +85 °C Note	250	mW
Operating Ambient Temperature	T _A		-40 to +85	°C
Storage Temperature	T _{stg}		-65 to +150	°C

Note Mounted on 50 × 50 × 1.6-mm epoxy glass PWB, with copper patterning on both sides.

RECOMMENDED OPERATING RANGE

Parameter	Symbol	MIN.	TYP.	MAX.	UNIT
Supply Voltage	V _{CC}	4.5	5.0	5.5	V
Operating Ambient Temperature	T _A	-40	+25	+85	°C

ELECTRICAL CHARACTERISTICS (V_{CC} = 5 V, T_A = +25 °C)

Parameter	Symbol	Conditions	MIN.	TYP.	MAX.	Unit
Circuit Current 1	I _{CC1}	no input signal Note	25	38	48	mA
Conversion Gain 1	CG1	f _{RF} = 55 MHz, f _{IF} = 44 MHz, P _{RF} = -40 dBm, P _{OSC} = -5 dBm Note	15	19	22	dB
Conversion Gain 2	CG2	f _{RF} = 200 MHz, f _{IF} = 50 MHz, P _{RF} = -40 dBm, P _{OSC} = -5 dBm Note	15.5	19.5	22.5	dB
Conversion Gain 3	CG3	f _{RF} = 440 MHz, f _{IF} = 50 MHz, P _{RF} = -40 dBm, P _{OSC} = -5 dBm Note	16	20	23	dB
Noise Figure 1	NF1	f _{RF} = 55 MHz, f _{IF} = 44 MHz, P _{OSC} = -5 dBm Note	-	11	14	dB
Noise Figure 2	NF2	f _{RF} = 200 MHz, f _{IF} = 50 MHz P _{OSC} = -5 dBm Note	-	11	14	dB
Noise Figure 3	NF3	f _{RF} = 440 MHz, f _{IF} = 50 MHz, P _{OSC} = -5 dBm Note	-	12	15	dB
Maximum Output Power 1	P _{O(sat)1}	f _{RF} = 55 MHz, f _{IF} = 44 MHz, P _{RF} = 0 dBm, P _{OSC} = -5 dBm Note	-	+10	-	dBm
Maximum Output Power 2	P _{O(sat)2}	f _{RF} = 200 MHz, f _{IF} = 50 MHz, P _{RF} = 0 dBm, P _{OSC} = -5 dBm Note	-	+10	-	dBm
Maximum Output Power 3	P _{O(sat)3}	f _{RF} = 440 MHz, f _{IF} = 50 MHz, P _{RF} = 0 dBm, P _{OSC} = -5 dBm Note	-	+10	-	dBm

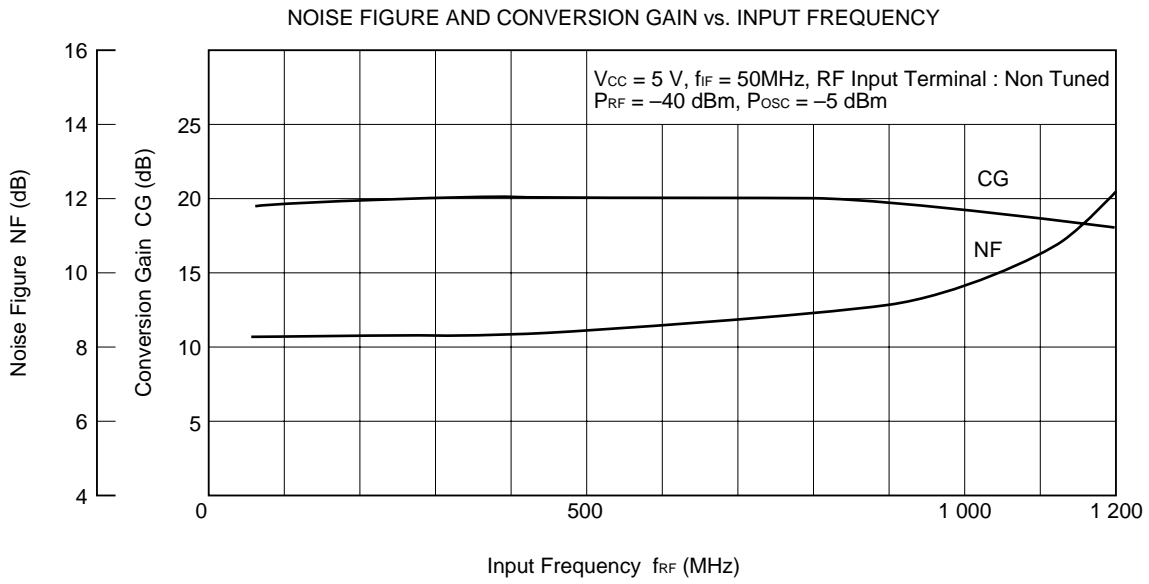
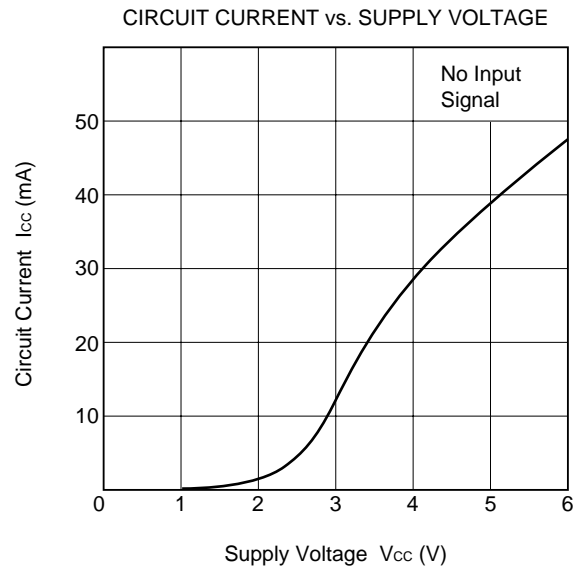
Note By test circuit 1

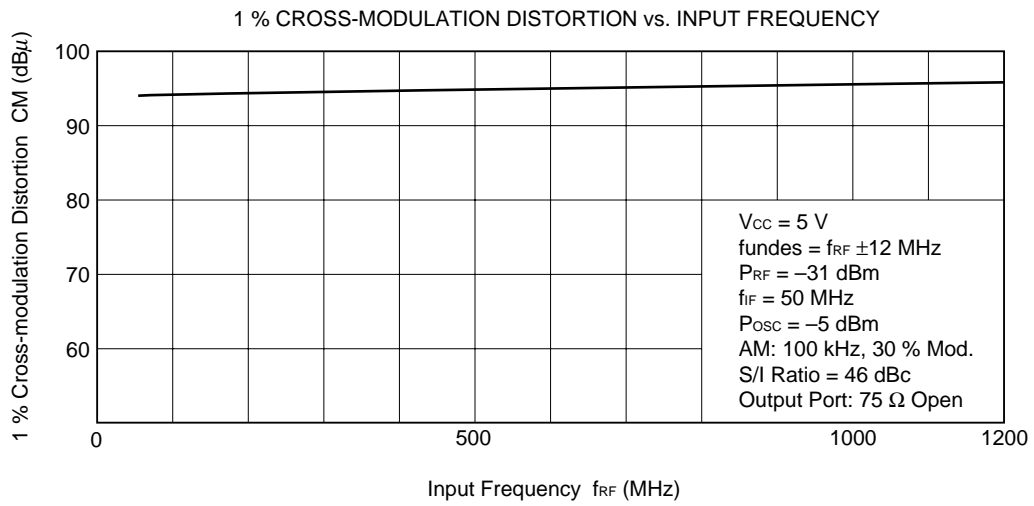
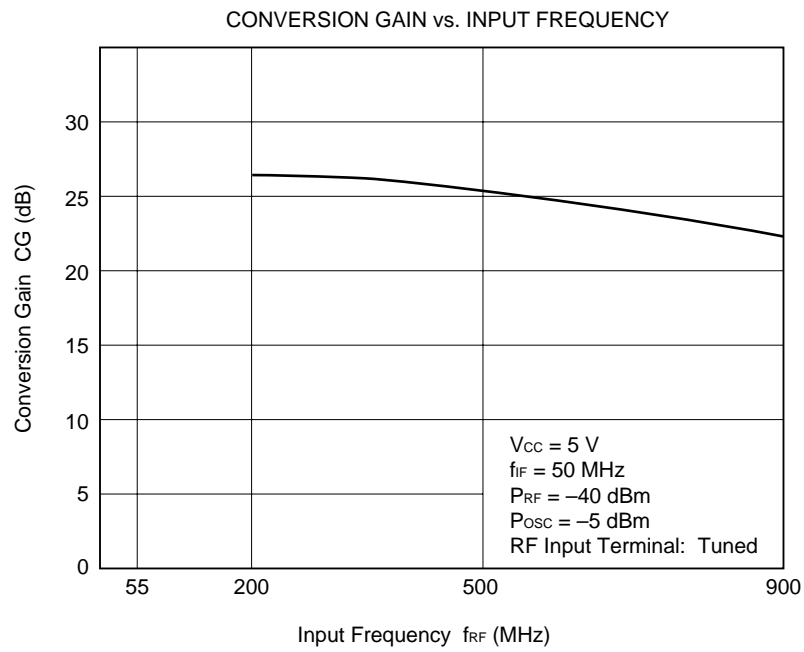
STANDARD CHARACTERISTICS (FOR REFERENCE) ($V_{CC} = 5\text{ V}$, $T_A = +25\text{ °C}$ unless otherwise specified)

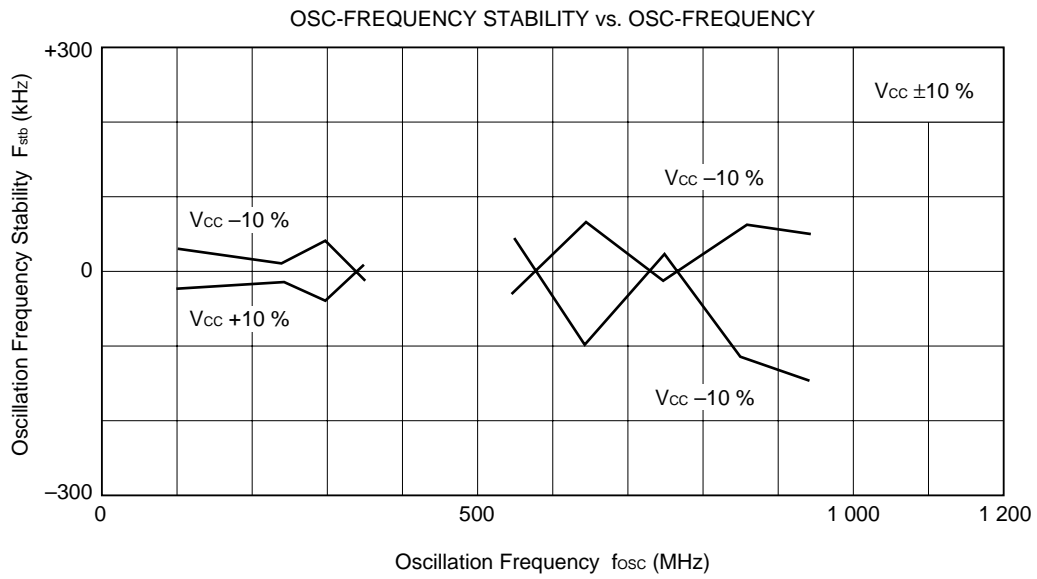
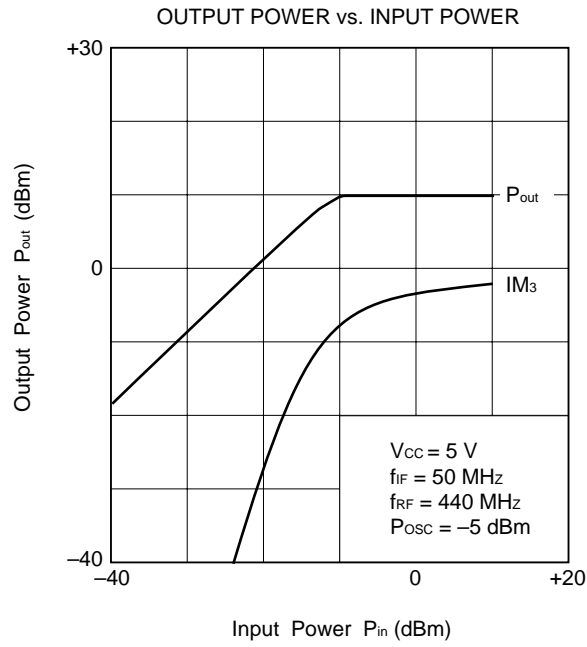
Parameter	Symbol	Conditions	Reference Values	Unit
Oscillation Frequency Stability	f_{stb}	$V_{CC} = \pm 10\%$, $f_{osc} = 100\text{ to }490\text{ MHz}$ Note 1	± 100	kHz
Oscillation Frequency Drift	f_{drift}	$f_{osc} = 100\text{ to }490\text{ MHz}$, 30 min Note 1	100	kHz
Oscillation Start Voltage	V_{osc}	$f_{osc} = 100\text{ to }490\text{ MHz}$ Note 1	3.0	V
1 % Cross-modulation Distortion 1	CM1	$f_{RF} = 55\text{ MHz}$, $f_{IF} = 44\text{ MHz}$ Note 2, 3	94	$\text{dB}\mu$
1 % Cross-modulation Distortion 2	CM2	$f_{RF} = 200\text{ MHz}$, $f_{IF} = 50\text{ MHz}$ Note 2, 3	94	$\text{dB}\mu$
1 % Cross-modulation Distortion 3	CM3	$f_{RF} = 440\text{ MHz}$, $f_{IF} = 50\text{ MHz}$ Note 2, 3	94	$\text{dB}\mu$

- Notes**
1. By test circuit 2
 2. By test circuit 1
 3. $f_{undes} = f_{RF} \pm 12\text{ MHz}$, $P_{RF} = -31\text{ dBm}$, $P_{osc} = -5\text{ dBm}$
 AM: 100 kHz, 30 % Mod., S/I Ratio = 46 dBc, output 75 Ω open

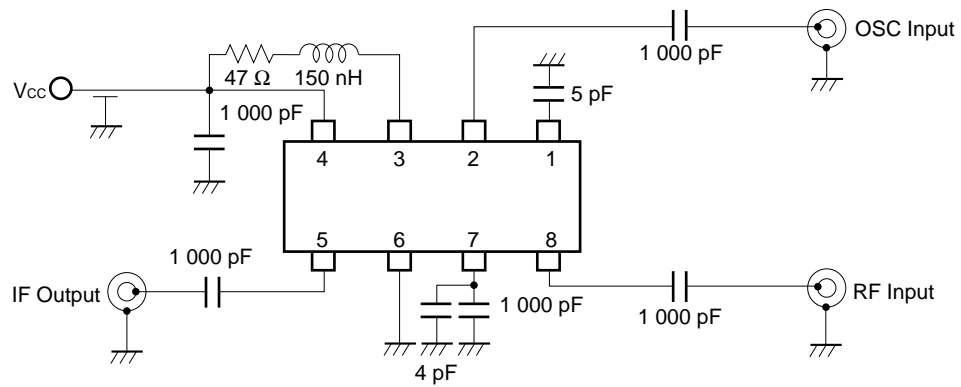
TYPICAL CHARACTERISTICS ($T_A = +25\text{ }^\circ\text{C}$)



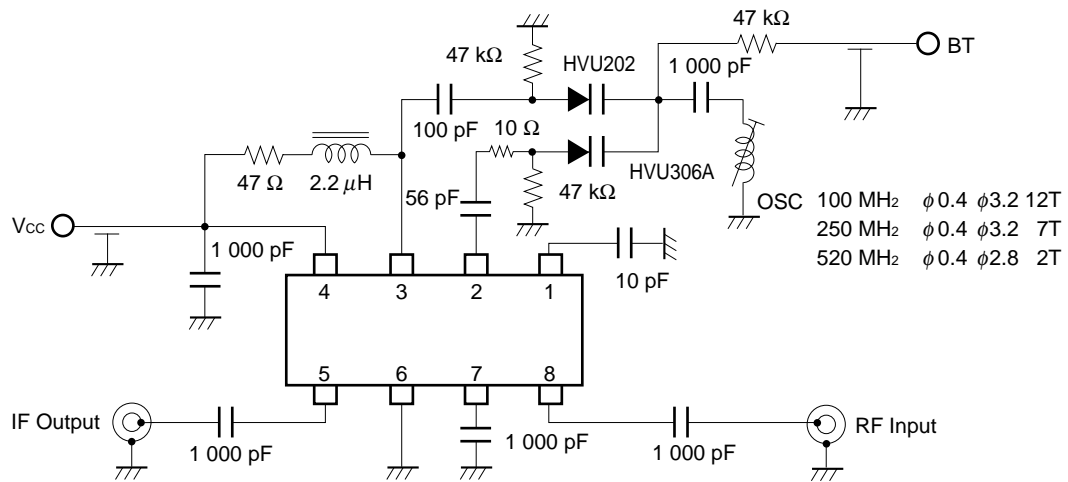




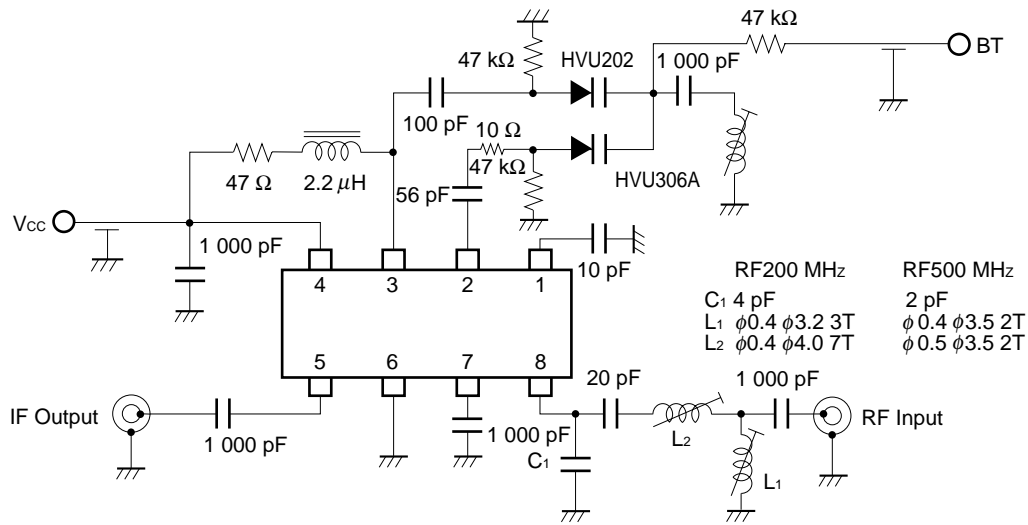
TEST CIRCUIT 1



TEST CIRCUIT 2

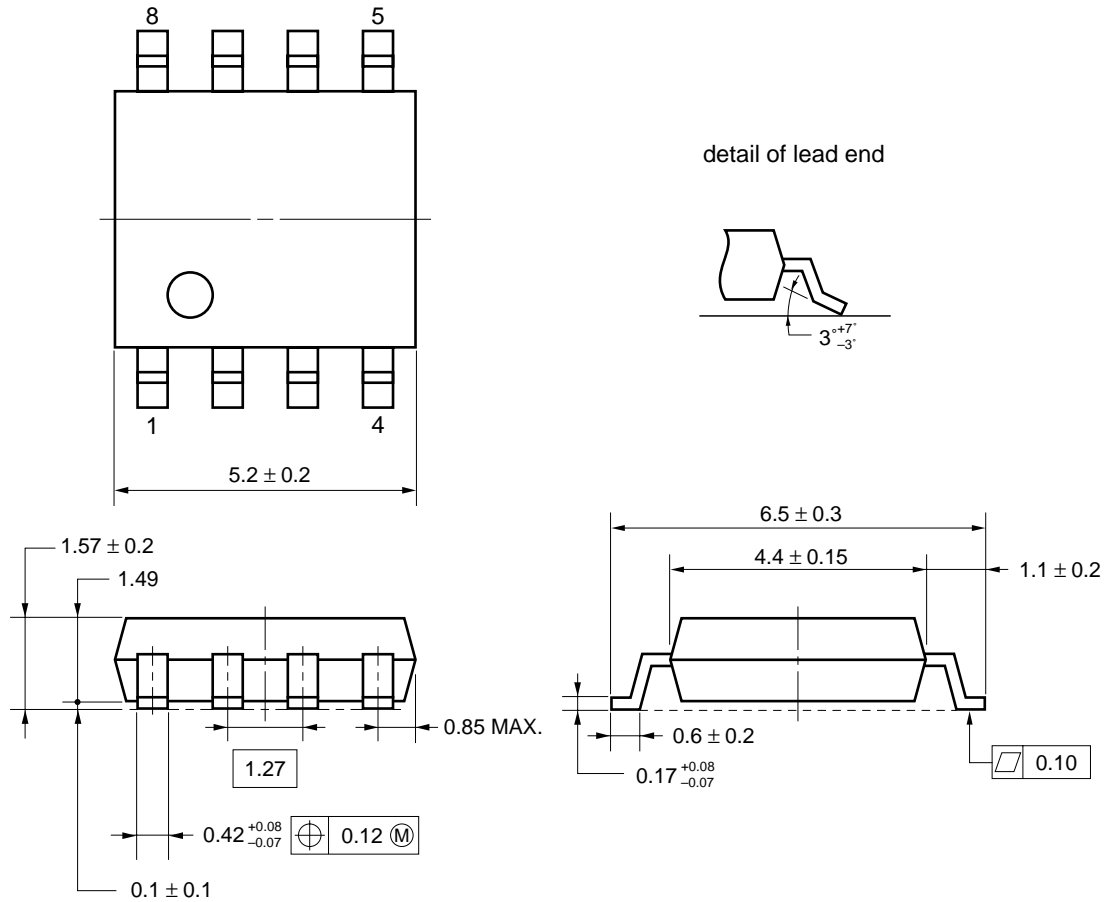


APPLICATION CIRCUIT EXAMPLE



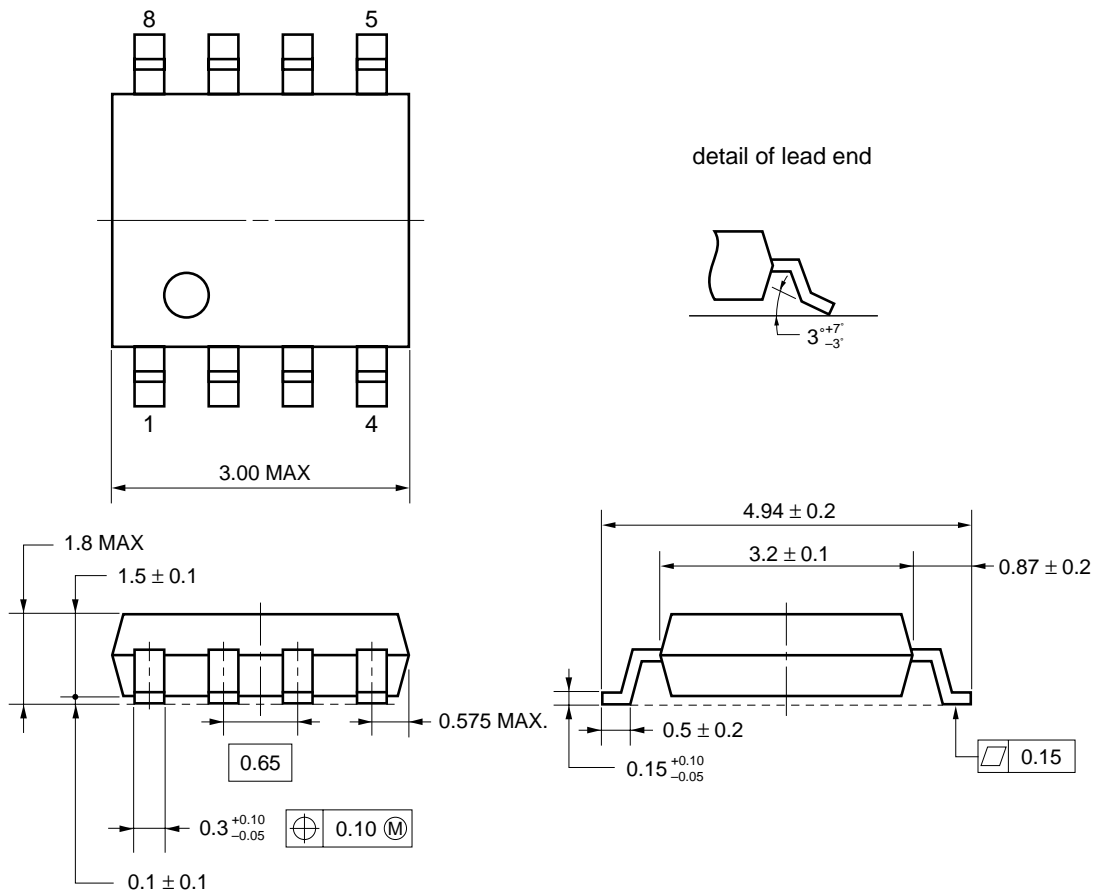
PACKAGE DIMENSIONS

★ 8 PIN PLASTIC SOP (225 mil) (UNIT: mm)



NOTE Each lead centerline is located within 0.12 mm of its true position (T.P.) at maximum material condition.

8 PIN PLASTIC SSOP (175 mil) (UNIT: mm)



NOTE Each lead centerline is located within 0.10 mm of its true position (T.P.) at maximum material condition.

NOTE ON CORRECT USE

- (1) Observe precautions for handling because of electro-static sensitive devices.
- (2) Form a ground pattern as widely possible to minimize ground impedance (to prevent undesired oscillation).
- (3) Keep the track length of the ground pins as short as possible.
- (4) Connect a bypass capacitor (example: 1 000 pF) to the Vcc pin.

RECOMMENDED SOLDERING CONDITIONS

This product should be soldered under the following recommended conditions. For soldering methods and conditions other than those recommended below, contact your NEC sales representative.

Soldering Method	Soldering Conditions	Recommended Condition Symbol
Infrared Reflow	Package peak temperature: 235 °C or below Time: 30 seconds or less (at 210 °C) Count: 3, Exposure limit: None ^{Note}	IR35-00-3
VPS	Package peak temperature: 215 °C or below Time: 40 seconds or less (at 200 °C) Count: 3, Exposure limit: None ^{Note}	VP15-00-3
Wave Soldering	Soldering bath temperature: 260 °C or below Time: 10 seconds or less Count: 1, Exposure limit: None ^{Note}	WS60-00-1
Partial Heating	Pin temperature: 300 °C Time: 3 seconds or less (per side of device) Exposure limit: None ^{Note}	—

Note After opening the dry pack, keep it in a place below 25 °C and 65 % RH for the allowable storage period.

Caution Do not use different soldering methods together (except for partial heating).

For details of recommended soldering conditions for surface mounting, refer to information document SEMICONDUCTOR DEVICE MOUNTING TECHNOLOGY MANUAL (C10535E).

[MEMO]

[MEMO]

NESAT (NEC Silicon Advanced Technology) is a trademark of NEC Corporation.

- **The information in this document is subject to change without notice. Before using this document, please confirm that this is the latest version.**
 - No part of this document may be copied or reproduced in any form or by any means without the prior written consent of NEC Corporation. NEC Corporation assumes no responsibility for any errors which may appear in this document.
 - NEC Corporation does not assume any liability for infringement of patents, copyrights or other intellectual property rights of third parties by or arising from use of a device described herein or any other liability arising from use of such device. No license, either express, implied or otherwise, is granted under any patents, copyrights or other intellectual property rights of NEC Corporation or others.
 - Descriptions of circuits, software, and other related information in this document are provided for illustrative purposes in semiconductor product operation and application examples. The incorporation of these circuits, software, and information in the design of the customer's equipment shall be done under the full responsibility of the customer. NEC Corporation assumes no responsibility for any losses incurred by the customer or third parties arising from the use of these circuits, software, and information.
 - While NEC Corporation has been making continuous effort to enhance the reliability of its semiconductor devices, the possibility of defects cannot be eliminated entirely. To minimize risks of damage or injury to persons or property arising from a defect in an NEC semiconductor device, customers must incorporate sufficient safety measures in its design, such as redundancy, fire-containment, and anti-failure features.
 - NEC devices are classified into the following three quality grades:
"Standard", "Special", and "Specific". The Specific quality grade applies only to devices developed based on a customer designated "quality assurance program" for a specific application. The recommended applications of a device depend on its quality grade, as indicated below. Customers must check the quality grade of each device before using it in a particular application.
 - Standard: Computers, office equipment, communications equipment, test and measurement equipment, audio and visual equipment, home electronic appliances, machine tools, personal electronic equipment and industrial robots
 - Special: Transportation equipment (automobiles, trains, ships, etc.), traffic control systems, anti-disaster systems, anti-crime systems, safety equipment and medical equipment (not specifically designed for life support)
 - Specific: Aircraft, aerospace equipment, submersible repeaters, nuclear reactor control systems, life support systems or medical equipment for life support, etc.
- The quality grade of NEC devices is "Standard" unless otherwise specified in NEC's Data Sheets or Data Books. If customers intend to use NEC devices for applications other than those specified for Standard quality grade, they should contact an NEC sales representative in advance.