

# MF1083V-2

FOR DCS MOBILE TELEPHONE, Rx

MF1083V-2

## DESCRIPTION

This SAW filter for the receiving RF circuit of DCS mobile communication equipment operating at 1805 MHz ~ 1880 MHz.

## FEATURES

1. SMD package insures small size, lightweight.
2. Adjustment free.
3. Low insertion loss and high stop band attenuation.
4. Wide and sharp passband characteristics.
5. High stability and reliability.
6. Designed for reflow solderings.

## APPLICATION

- Mobile cellular telephone
- Portable digital cellular telephone
- Wireless equipment

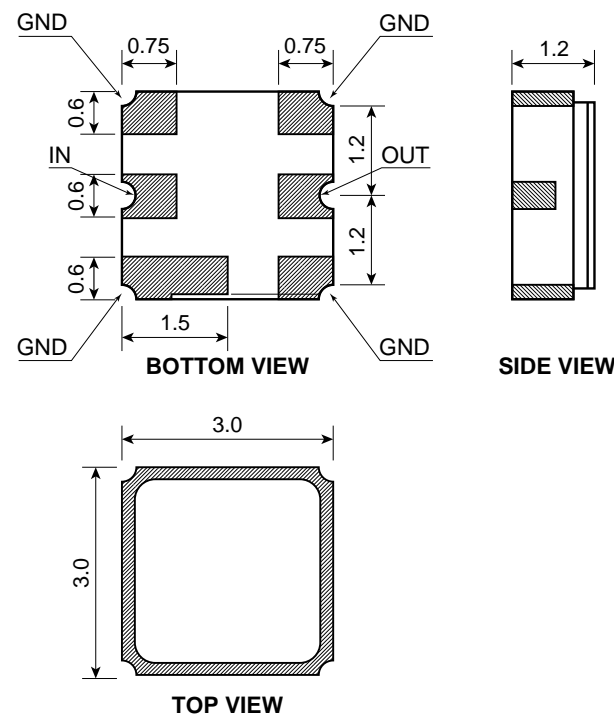
## MAXIMUM RATINGS

Rating	Value	Unit
Input Power	20	mW
Operating Temperature Range	-10 to 70	°C
Storage Temperature Range	-30 to 85	°C

## ELECTRICAL PERFORMANCE

Parameter	MF1083V-2			Units
	Min	Typ	Max	
PASSBAND FREQUENCY	1805 – 1880			MHz
PASSBAND CHARACTERISTICS	Insertion Loss	3.0	4.0	dB
	Ripple	1.5	2.5	dB
	VSWR	2.0	2.8	
	STOPBAND ATTENUATION			
0 – 1700 MHz	20	22	dB	
1700 – 1760 MHz	25	33	dB	
1760 – 1785 MHz	10	25	dB	
1760 – 1785 MHz(@+25°C)	12	35	dB	
1920 – 3000 MHz	20	28	dB	

## PACKAGE OUTLINE DIMENSIONS



DIMENSIONS ARE IN MILLIMETERS  
±0.2 UNLESS OTHERWISE SPECIFIED

## MF1083V-2 TYPICAL CHARACTERISTICS

