



Alternator Voltage Regulator

The MC33092 is specifically designed for voltage regulation and Load Response Control (LRC) of diode rectified alternator charging systems, as commonly found in automotive applications. The MC33092 provides load response control of the alternator output current to eliminate engine speed hunting and vibration due to sudden electrical loads which cause abrupt torque loading of the engine at low RPM. Two load response rates are selectable using Pin 11. The timing of the response rates is dependent on the oscillator frequency.

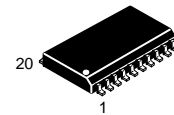
In maintaining system voltage, the MC33092 monitors and compares the system battery voltage to an externally programmed set point value and pulse width modulates an N-channel MOSFET transistor to control the average alternator field current.

- Forced Load Response Control (LRC) with Heavy Load Transitions at Low RPM
- Capable of Regulating Voltage to $\pm 0.1 \text{ V}$ @ 25°C
- Operating Frequency Selectable with One External Resistor
- $< 0.1 \text{ V}$ Variation over Speed Range of 2000 to 10,000 RPM
- $< 0.4 \text{ V}$ Variation over 10% to 95% of Maximum Alternator Output
- Maintains Regulation with External Loads as Low as 1.0 A
- Load Dump Protection of Lamp, Field Control Devices, and Loads
- Duty Cycle Limit Protection
- Provides High Side MOSFET Control of a Ground Referenced Field Winding
- Controlled MOSFET and Flyback Diode Recovery Characteristics for Minimum RFI
- $< 2.0 \text{ mA}$ Standby Current from Battery @ 25°C
- $< 3.0 \text{ mA}$ Standby Current from Battery Over Temperature Range
- Optional 2.5 or 10 sec. LRC Rate Control (Osc. Freq. = 280 kHz)
- Undervoltage, Overvoltage and Phase Fault (Broken Belt) Detection

MC33092

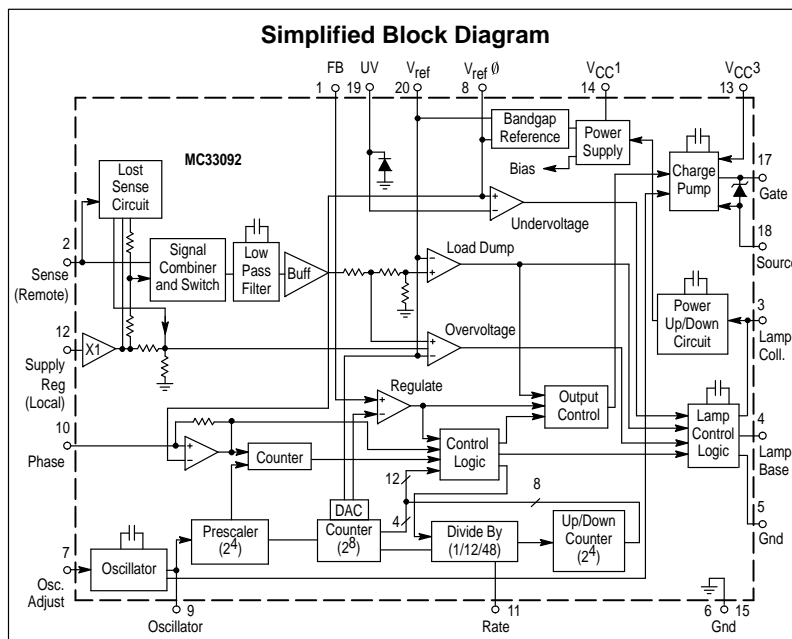
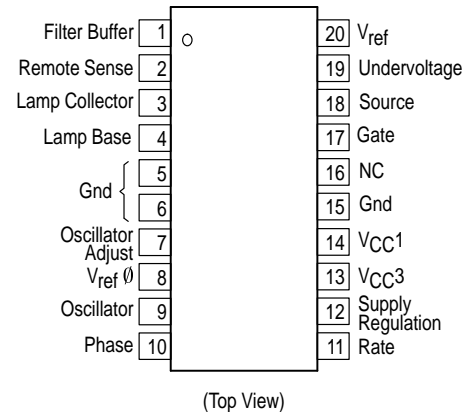
ALTERNATOR VOLTAGE REGULATOR

SEMICONDUCTOR TECHNICAL DATA



DW SUFFIX
PLASTIC PACKAGE
CASE 751D
(SO-20L)

PIN CONNECTIONS



ORDERING INFORMATION

Device	Operating Temperature Range	Package
MC33092DW	T _A = -40° to +125°C	SO-20L

MC33092

MAXIMUM RATINGS

Rating	Symbol	Value	Unit
Power Supply Voltage	V_{bat}	24	V
Load Dump Transient Voltage (Note 1)	$+V_{max}$	40	V
Negative Voltage (Note 2)	$-V_{min}$	-2.5	V
Power Dissipation and Thermal Characteristics			
Maximum Power Dissipation @ $T_A = 125^\circ\text{C}$	P_D	867	mW
Thermal Resistance, Junction-to-Ambient	$R_{\theta JA}$	75	$^\circ\text{C/W}$
Operating Junction Temperature	T_J	+150	$^\circ\text{C}$
Operating Ambient Temperature Range	T_A	-40 to +125	$^\circ\text{C}$
Storage Temperature Range	T_{stg}	-45 to +150	$^\circ\text{C}$

ELECTRICAL CHARACTERISTICS (External components per Figure 1, $T_A = 25^\circ\text{C}$, unless otherwise noted).

Characteristic	Symbol	Min	Typ	Max	Unit
DC CHARACTERISTICS					
Regulation Voltage (Determined by external resistor divider)	V_{Reg}	-	14.85	-	V
Regulation Voltage Temperature Coefficient	T_C	-13	-11	-9.0	$\text{mV}/^\circ\text{C}$
Suggested Battery Voltage Operating Range	V_{bat}	11.5	14.85	16.5	V
Power Up/Down Threshold Voltage (Pin 3)	V_{Pwr}	0.5	1.2	2.0	V
Standby Current, $V_{bat} = 12.8\text{ V}$, Ignition off, $T_A = 25^\circ\text{C}$ $V_{bat} = 12.8\text{ V}$, Ignition off, $-40^\circ\text{C} \leq T_A \leq 125^\circ\text{C}$	I_{Q1} I_{Q2}	- -	1.3 -	2.0 3.0	mA mA
Zero Temperature Coefficient Reference Voltage, (Pin 8)	$V_{ref \emptyset}$	1.1	1.25	1.4	V
Band Gap Reference Voltage (Pin 20)	V_{ref}	1.7	2.0	2.3	V
Band Gap Reference Temperature Coefficient	T_C	-13	-11	-9.0	$\text{mV}/^\circ\text{C}$
Sense Loss Threshold (Pin 2)	$S_{Loss(th)}$	-	0.6	1.0	V
Phase Detection Threshold Voltage (Pin 10)	P_{Th}	1.0	1.25	1.5	V
Phase Rotation Detection Frequency (Pin 10)	P_{Rot}	-	36	-	Hz
Undervoltage Threshold (Pin 19)	V_{UV}	1.0	1.25	1.5	V
Overvoltage Threshold (Pin 2, or Pin 12 if Pin 2 is not used)	V_{OV}	$1.09(V_{ref})$	$1.12(V_{ref})$	$1.16(V_{ref})$	V
Load Dump Threshold (Pin 2, or Pin 12 if Pin 2 is not used)	V_{LD}	$1.33(V_{ref})$	$1.4(V_{ref})$	$1.48(V_{ref})$	V

SWITCHING CHARACTERISTICS

Fundamental Regulation Output Frequency, (Pin 17) (Clock oscillator frequency divided by 4096)	f	-	68	-	Hz
Suggested Clock Oscillator Frequency Range, (Pin 9) (Determined by external resistor, R_T , see Figure 6)	f_{osc}	205	280	350	kHz
Duty Cycle (Pin 17) At Start-up During Overvoltage Condition	$Start_{DC}$ OV_{DC}	27 3.5	29 4.7	31 5.5	% %
Low/High RPM Transition Frequency (Pin 10)	LRC_{Freq}	247	273	309	Hz
LRC Duty Cycle Increase Rate Low RPM Mode ($LRC_{Freq} < 247\text{ Hz}$), Pin 11 = Open (Slow Rate)	LRC_S	8.5	9.5	10.5	\%/sec
Low RPM Mode ($LRC_{Freq} < 247\text{ Hz}$), Pin 11 = Grounded (Fast Rate)	LRC_F	34	38	42	\%/sec
High RPM Mode ($LRC_{Freq} > 309\text{ Hz}$), Pin 11 = Don't Care (LRC Mode is disabled)	LRC_H	409	455	501	\%/sec

- NOTES:** 1. 125 ms wide square wave pulse.
2. Maximum time = 2 minutes.

MC33092

Figure 1. Simplified Application

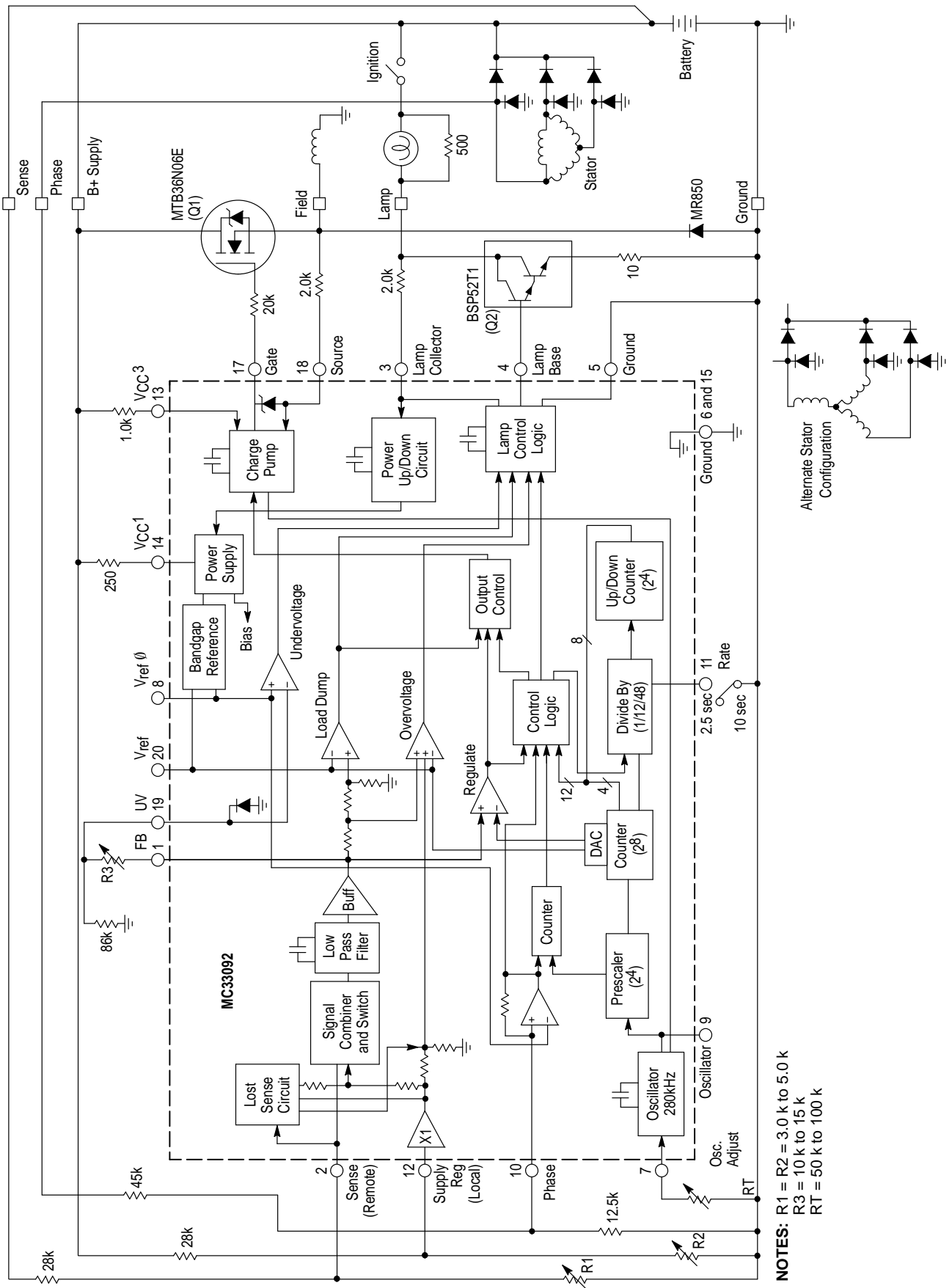


Figure 2. Standby Current versus Temperature

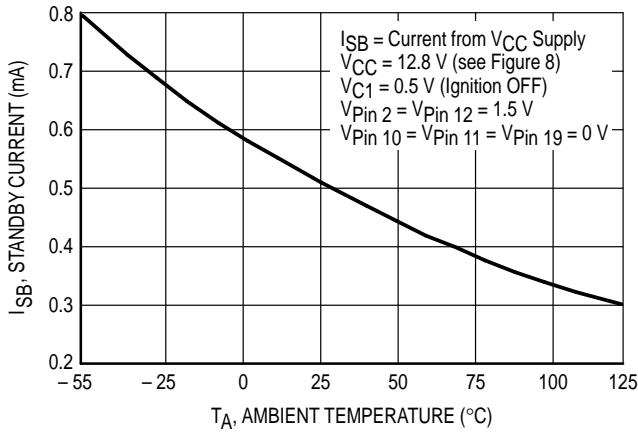


Figure 3. Turn-On Voltage versus Temperature

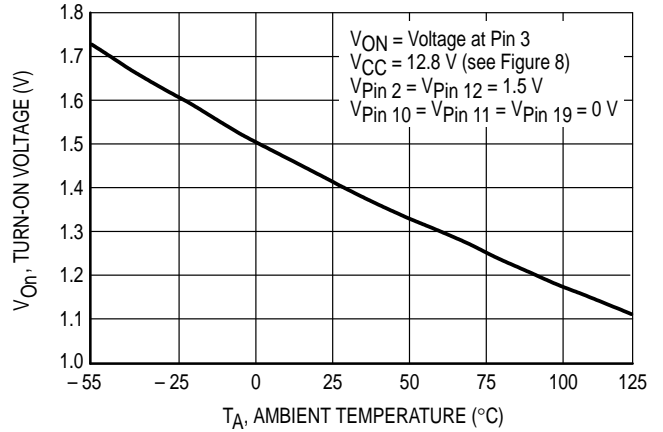


Figure 4. Reference Voltage versus Temperature

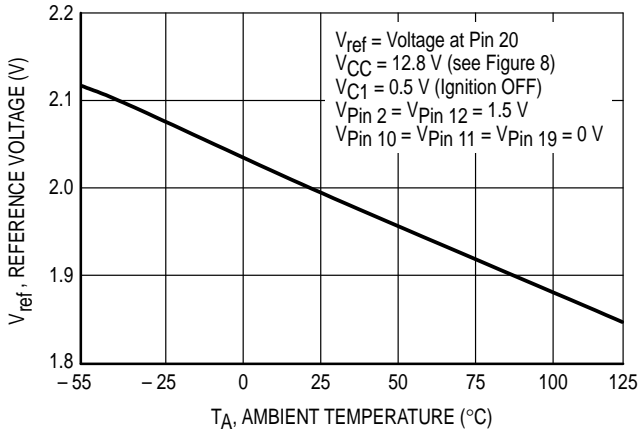


Figure 5. OTC Reference Voltage versus Temperature

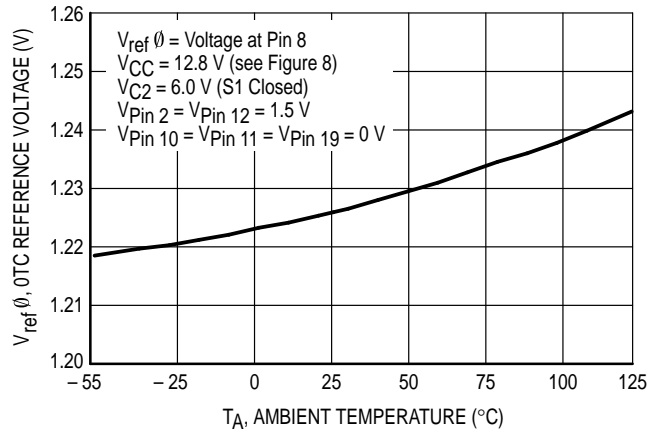


Figure 6. Oscillator Frequency versus Timing Resistor

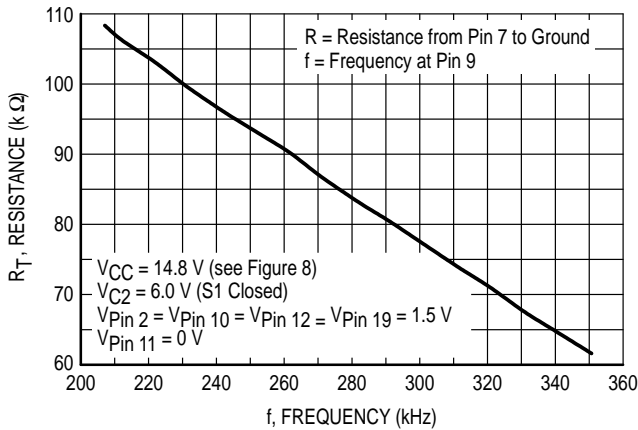


Figure 7. Input Voltage versus Output Duty Cycle

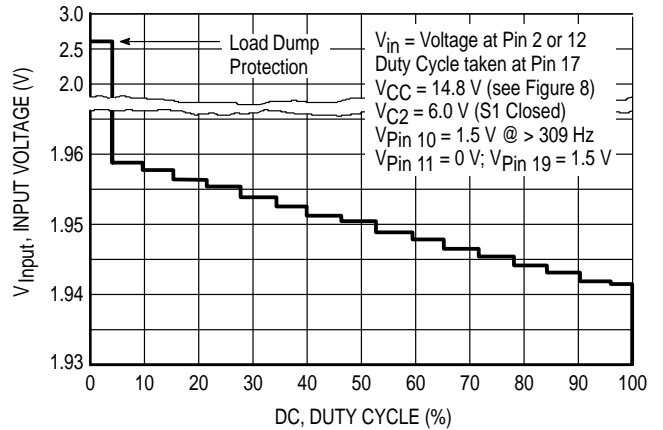
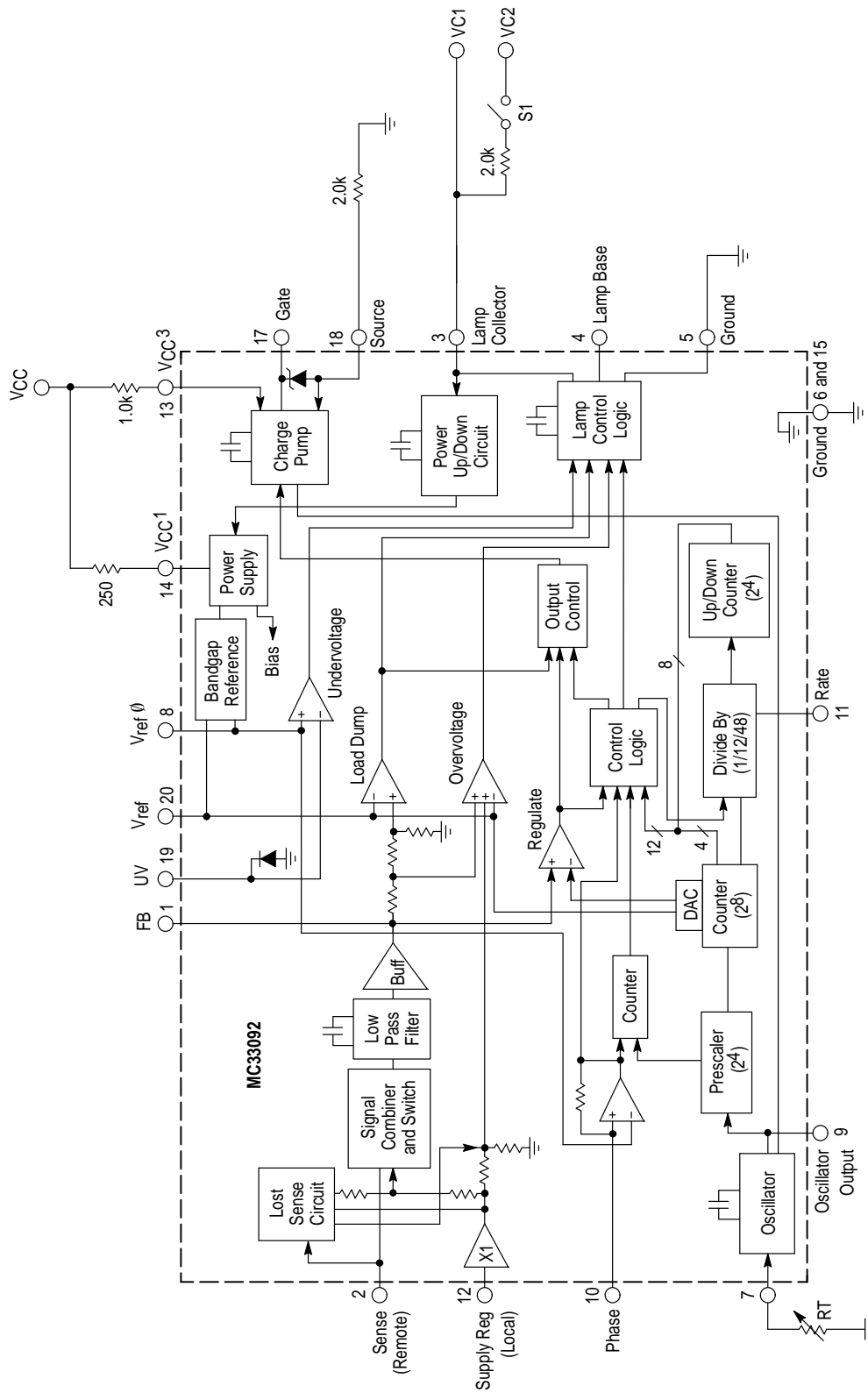


Figure 8. Typical Test Circuit



MC33092

PIN FUNCTION DESCRIPTION

Pin No.	Function	Description
1	FB	This pin provides a filtered result of the Sense input (if the Sense input is used) or the Supply Regulation input (if the Sense input is not used).
2	Sense	The Sense input is a remote (Kelvin), low current battery voltage reference input used to give an accurate representation of the true battery voltage. This input is also used to monitor overvoltage or load dump conditions.
3	Lamp Collector and Power-Up/Down	This pin connects to the collector of the transistor (Q2) used to drive the fault lamp. It is also used to sense a closed ignition switch (voltage sense) which then turns power on to the IC.
4	Lamp Base	The Lamp Base pin provides base current to the fault lamp drive transistor (Q2).
5	Ground	Grounded to provide a ground return for the fault lamp control logic circuit.
6, 15	Ground	IC ground reference pins.
7	Oscillator Adjust	A resistor to ground on this pin adjusts the internal oscillator frequency (see Figure 6).
8	* V _{ref} (θ)	This is a test point for the 1.1 V to 1.4 V reference voltage. It has a zero temperature coefficient. The reference is used internally for phase signal and undervoltage detection.
9	* Oscillator	Test point for checking the operation of the internal oscillator.
10	Phase	The Phase input detects the existence of a magnetic field rotating within the alternator.
11	Rate	The Rate pin is used to select a slow mode (floating) or fast mode (ground) Load Response Control recovery rate.
12	Supply Regulation	The voltage on the Supply Regulation pin is used as a representation of the alternator output voltage. This input also used to monitor overvoltage or load dump conditions.
13	V _{CC3}	Positive supply for the internal Charge Pump.
14	V _{CC1}	Positive supply for the entire IC except for the Charge Pump.
15, 6	Ground	Ground reference for the IC.
16	N/C	No connection.
17	Gate	Controls the Gate of the MOSFET used to energize the field winding.
18	Source	Field winding control MOSFET source reference.
19	Undervoltage	If the voltage at this pin goes below 1.0 V, the fault lamp is guaranteed to turn on. The IC will continue to function, but with limited performance.
20	* V _{ref}	Test point for the 1.7 V to 2.3 V Bandgap reference voltage. This voltage has a negative temperature coefficient of approximately -11 mV/°C.

*NOTE: Pins 8, 9 and 20 are test points only.

MC33092

APPLICATION CIRCUIT DESCRIPTION

Introduction

The MC33092, designed to operate in a 12 V system, is intended to control the voltage in an automotive system that uses a 3 phase alternator with a rotating field winding. The system shown in Figure 1 includes an alternator with its associated field coil, stator coils and rectifiers, a battery, a lamp and an ignition switch. A tap is connected to one corner of the stator windings and provides an AC signal for rotation (phase) detection.

A unique feature of the MC33092 is the Load Response Control (LRC) circuitry. The LRC circuitry is active when the stator winding AC signal frequency (phase buffer input signal, Pin 10) is lower than the Low/High RPM transition frequency. When active, the LRC circuitry dominates the basic analog control circuitry and slows the alternator response time to sudden increases in load current. This prevents the alternator from placing a sudden, high torque load on the automobile engine when a high current accessory is switched on.

The LRC circuitry is inactive when the stator winding AC signal frequency is higher than the Low/High RPM transition frequency. When the LRC circuitry is inactive, the basic analog control circuitry controls the alternator so it will supply a constant voltage that is independent of the load current.

Both the LRC and analog control circuits control the system voltage by switching ON and OFF the alternator field current using Pulse Width Modulation (PWM). The PWM approach controls the duty cycle and therefore the average field current. The field current is switched ON and OFF at a fixed frequency by a MOSFET (Q1) which is driven directly by the IC. The MC33092 uses a charge pump to drive the MOSFET in a high side configuration for alternators having a grounded field winding.

A fault detector is featured which detects overvoltage, undervoltage, slow rotation or non-rotation (broken alternator belt) conditions and indicates them through a fault lamp drive output (Pin 4).

A Load Dump protection circuit is included. During a load dump condition, the MOSFET gate drive (Pin 17) and the fault lamp drive output are disabled to protect the MOSFET, field winding and lamp.

Power-Up/Down

Power is continuously applied to the MC33092 through V_{CC1} and V_{CC3} . A power-up/down condition is determined by the voltage on the Lamp Collector pin (Pin 3). When this voltage is below 0.5 V the IC is guaranteed to be in a low current standby mode. When the voltage at Pin 3 is above 2.0 V, the IC is guaranteed to be fully operational. The power-up voltage is applied to Pin 3 via the ignition switch and fault lamp. In case the fault lamp opens, a 500 Ω bypass resistor should be used to ensure regulator IC power-up.

A power-up reset circuit provides a reset or set condition for all digital counter circuitry. There is also a built-in power-up delay circuit that protects against erratic power-up signals.

Battery and Alternator Output Voltage Sensing

The battery and the alternator output voltage are sensed by the remote (Sense, Pin 2), and the local (Supply Regulator, Pin 12) input buffer pins, respectively, by way of

external voltage dividers. The regulated system voltage is determined by the voltage divider resistor values.

Normally the remote pin voltage determines the value at which the battery voltage is regulated. In some cases the remote pin is not used. When this condition ($V_{Pin 2} < 0.6$ V typically) exists, a sense loss function allows the local pin voltage to determine the regulated battery voltage with no attenuation of signal. If, however, when the remote pin is used, and the voltage at this pin is approximately 25% less than the voltage at the local sense pin (but greater than 0.6 V, typically), the value at which the battery voltage is regulated is switched to the local sense pin voltage (minus the 25%). The signal combiner/switch controls this transfer function.

Low Pass Filter, DAC & Regulator Comparator

The output of the combiner/switch buffer feeds a low pass filter block to remove high frequency system noise. The filter output is buffered and compared by the regulator comparator to a descending ramp waveform generated by an internal DAC. When the two voltages are approximately equal, the output of the regulator comparator changes state and the gate of the MOSFET is pulled low (turned OFF) by the output control logic for the duration of the output frequency clock cycle. At the beginning of the next output clock cycle, the DAC begins its descending ramp waveform and the MOSFET is turned ON until the regulator comparator output again changes state. This ongoing cycle constitutes the PWM technique used to control the system voltage.

Oscillator

The oscillator block provides the clock pulses for the prescaler-counter chain and the charge control for the charge pump circuit. The oscillator frequency is set by an external resistor from Pin 7 to ground as presented in Figure 6.

The prescaler-counter divides the oscillator frequency by 2^{12} (4096) and feeds it to the output control logic and divider-up/down counter chain. The output control logic uses it as the fundamental regulation output frequency (Pin 17).

Load Response Control

The Load Response Control (LRC) circuit generates a digital control of the regulation function and is active when the stator output AC signal (Pin 10) frequency is lower than the Low/High RPM transition frequency. The LRC circuit takes the output signal of the prescaler-counter chain and with a subsequent divider and up/down counter to provide delay, controls the alternator response time to load increases on the system. The response time is pin programmable to two rates. Pin 11 programs the divider to divide by 12 or divide by 48. If Pin 11 is grounded, the signal fed to the up/down counter is divided by 12 and the response time is 12 times slower than the basic analog response time. If Pin 11 is left floating, the signal to the up/down counter is divided by 48 and the response time is 48 times slower.

The basic analog (LRC not active) and digital duty cycle control (LRC active) are OR'd such that either function will terminate drive to the gate of the MOSFET device with the shortest ON-time, i.e., lower duty cycle dominating.

The digital ON-time is determined by comparing the output of the up/down counter to a continuous counter and decoding when they are equal. This event will terminate drive to the MOSFET. A count direction shift register requires three consecutive clock pulses with a state change on the data input of the register to result in an up/down count direction change. The count will increase for increasing system load up to 100% duty cycle and count down for decreased loading to a minimum of 29% duty cycle. The analog control can provide a minimum duty cycle of 4 to 5%. The initial power-up duty cycle is 29% until the phase comparator input exceeds its input threshold voltage. Also, the IC powers up with the LRC circuit active, i.e., when the Lamp Collector pin exceeds the power-up threshold voltage.

Fault Lamp Indicator

Pins 3 and 4 control the external Darlington transistor (Q2) that drives the fault indicator lamp. A 10 Ω resistor should be placed in series with the transistor's emitter for current limiting purposes. The fault lamp is energized during any of the following fault conditions: 1) No Phase buffer (Pin 10) input due to slow or no alternator rotation, shorted phase winding, etc.; 2) Phase buffer input AC voltage less than the phase detect threshold; 3) Overvoltage on Pin 2, or Pin 12 if Pin 2 is not used, or 4) Undervoltage on Pin 19 with the phase buffer input signal higher than the Low/High RPM transition frequency.

Phase Buffer Input

A tap is normally connected to one corner of the alternator's stator winding to provide an AC voltage for rotation detection. This AC signal is fed into the phase buffer input (Pin 10) through a voltage divider. If the frequency of this signal is less than the phase rotation detect frequency (36 Hz, typically), the fault lamp is lit indicating an insufficient

alternator rotation and the MOSFET drive (Pin 17) output duty cycle is restricted to approximately 29% maximum. Also, if the peak voltage of the AC signal is less than the phase detect threshold, the fault lamp is lit indicating an insufficient amount of field current and again the MOSFET drive (Pin 17) output duty cycle is restricted to approximately 29% maximum.

Undervoltage, Overvoltage and Load Dump

The low pass filter output feeds an undervoltage comparator through an external voltage divider. The voltage divider can be used to adjust the undervoltage detection level. During an undervoltage condition, the fault lamp will light only if the phase buffer input signal frequency is higher than the Low/High RPM transition frequency. This is to ensure that the undervoltage condition is caused by a true fault and not just by low alternator rotation. To help maintain system voltage regulation during an undervoltage condition, the output duty cycle is automatically increased to 100%. Even though the fault lamp may be energized for an undervoltage condition, the MC33092 will continue to operate but with limited performance.

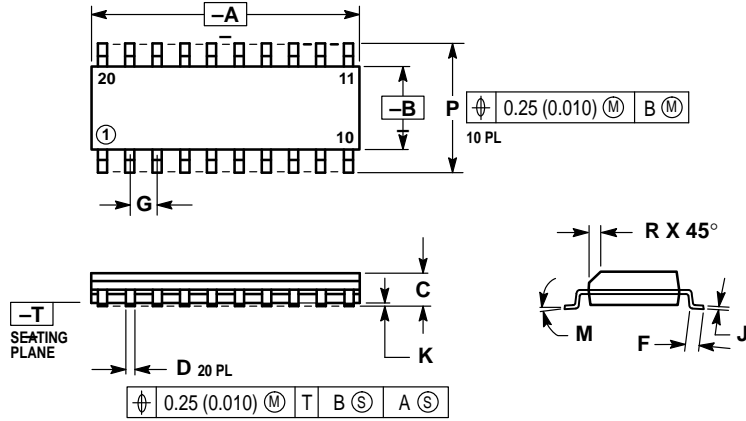
Through an internal voltage divider, the low pass filter feeds an overvoltage comparator which monitors this output for an overvoltage condition. If the overvoltage threshold is exceeded, the fault lamp is lit and the MOSFET drive (Pin 17) output duty cycle is restricted to approximately 4% maximum.

The internal voltage divider on the input to the load dump comparator has a different ratio than the divider used on the overvoltage comparator. This allows the load dump detect threshold to be higher than the overvoltage threshold even though both comparators are monitoring the same low pass filter output. If the load dump detect threshold is exceeded, the fault lamp and MOSFET drive outputs are disabled to protect the MOSFET, field winding and lamp.

MC33092

OUTLINE DIMENSIONS


DW SUFFIX
PLASTIC PACKAGE
CASE 751D
(SO-20L)



NOTES:

1. DIMENSIONING AND TOLERANCING PER ANSI Y14.5M, 1982.
2. CONTROLLING DIMENSION: MILLIMETER.
3. DIMENSION A AND B DO NOT INCLUDE MOLD PROTRUSION.
4. MAXIMUM MOLD PROTRUSION 0.15 (0.006) PER SIDE.
5. 751D-01, AND -02 OBSOLETE, NEW STANDARD 751D-03.

DIM	MILLIMETERS		INCHES	
	MIN	MAX	MIN	MAX
A	12.65	12.95	0.499	0.510
B	7.40	7.60	0.292	0.299
C	2.35	2.65	0.093	0.104
D	0.35	0.49	0.014	0.019
F	0.50	0.90	0.020	0.035
G	1.27 BSC		0.050 BSC	
J	0.25	0.32	0.010	0.012
K	0.10	0.25	0.004	0.009
M	0°	7°	0°	7°
P	10.05	10.55	0.395	0.415
R	0.25	0.75	0.010	0.029

Motorola reserves the right to make changes without further notice to any products herein. Motorola makes no warranty, representation or guarantee regarding the suitability of its products for any particular purpose, nor does Motorola assume any liability arising out of the application or use of any product or circuit, and specifically disclaims any and all liability, including without limitation consequential or incidental damages. "Typical" parameters which may be provided in Motorola data sheets and/or specifications can and do vary in different applications and actual performance may vary over time. All operating parameters, including "Typicals" must be validated for each customer application by customer's technical experts. Motorola does not convey any license under its patent rights nor the rights of others. Motorola products are not designed, intended, or authorized for use as components in systems intended for surgical implant into the body, or other applications intended to support or sustain life, or for any other application in which the failure of the Motorola product could create a situation where personal injury or death may occur. Should Buyer purchase or use Motorola products for any such unintended or unauthorized application, Buyer shall indemnify and hold Motorola and its officers, employees, subsidiaries, affiliates, and distributors harmless against all claims, costs, damages, and expenses, and reasonable attorney fees arising out of, directly or indirectly, any claim of personal injury or death associated with such unintended or unauthorized use, even if such claim alleges that Motorola was negligent regarding the design or manufacture of the part. Motorola and  are registered trademarks of Motorola, Inc. Motorola, Inc. is an Equal Opportunity/Affirmative Action Employer.

How to reach us:

USA/EUROPE/Locations Not Listed: Motorola Literature Distribution;
P.O. Box 20912; Phoenix, Arizona 85036. 1-800-441-2447 or 602-303-5454

MFAX: RMFAX0@email.sps.mot.com – TOUCHTONE 602-244-6609
INTERNET: <http://Design-NET.com>

JAPAN: Nippon Motorola Ltd.; Tatsumi-SPD-JLDC, 6F Seibu-Butsuryu-Center,
3-14-2 Tatsumi Koto-Ku, Tokyo 135, Japan. 03-81-3521-8315

ASIA/PACIFIC: Motorola Semiconductors H.K. Ltd.; 8B Tai Ping Industrial Park,
51 Ting Kok Road, Tai Po, N.T., Hong Kong. 852-26629298

