



Ultra-Fast ECL-Output Comparator with Latch Enable

MAX9685

General Description

The MAX9685 is an ultra-fast ECL comparator manufactured with a high-frequency bipolar process ($f_T = 6\text{GHz}$) capable of very short propagation delays. This design maintains the excellent DC matching characteristics normally found only in slower comparators.

The device is pin-compatible with the AD9685 and Am6685, but exceeds their AC characteristics.

The MAX9685 has differential inputs and complementary outputs that are fully compatible with ECL-logic levels. Output current levels are capable of driving 50Ω terminated transmission lines. The ultra-fast operation makes signal processing possible at frequencies in excess of 600MHz.

A latch-enable (LE) function is provided to allow the comparator to be used in a sample-hold mode. When LE is ECL high, the comparator functions normally. When LE is driven ECL low, the outputs are forced to an unambiguous ECL-logic state, dependent on the input conditions at the time of the latch input transition. If the latch-enable function is not used, the LE pin must be connected to ground.

Applications

- High-Speed A/D Converters
- High-Speed Line Receivers
- Peak Detectors
- Threshold Detectors
- High-Speed Triggers

Features

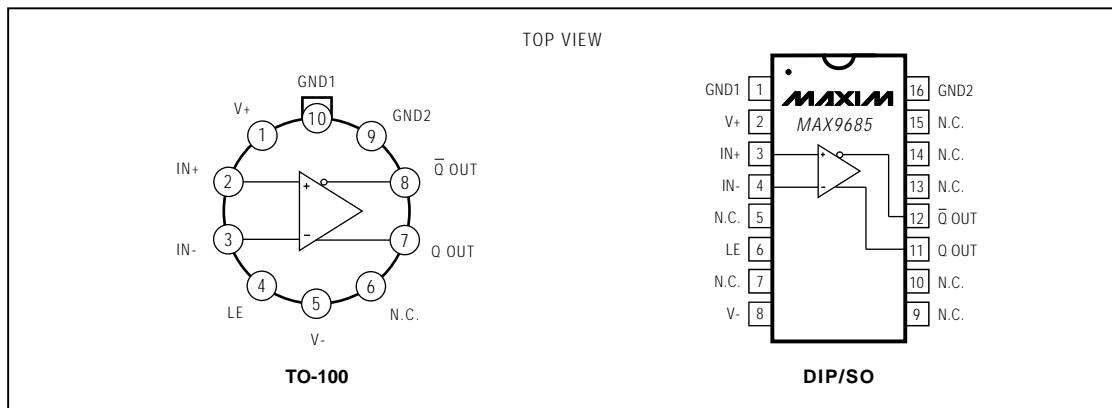
- ◆ 1.3ns Propagation Delay
- ◆ 0.5ns Latch Setup Time
- ◆ +5V, -5.2V Power Supplies
- ◆ Pin-Compatible with AD9685, Am6685
- ◆ Available in Commercial, Extended-Industrial, and Military Temperature Ranges
- ◆ Available in Narrow SO Package

Ordering Information

PART	TEMP. RANGE	PIN-PACKAGE*
MAX9685CPE	0°C to +70°C	16 Plastic DIP
MAX9685CSE	0°C to +70°C	16 Narrow SO
MAX9685CJE	0°C to +70°C	16 CERDIP
MAX9685CTW	0°C to +70°C	10 TO-100
MAX9685C/D	0°C to +70°C	Dice**
MAX9685EPE	-40°C to +85°C	16 Plastic DIP
MAX9685ESE	-40°C to +85°C	16 Narrow SO
MAX9685MJE	-55°C to +125°C	16 CERDIP
MAX9685MTW	-55°C to +125°C	10 TO-100

* Contact factory for availability of 20-pin PLCC.
 ** Contact factory for dice specifications.

Pin Configurations



Ultra-Fast ECL-Output Comparator with Latch Enable

ABSOLUTE MAXIMUM RATINGS

Supply Voltages.....	±6V	CERDIP (derate 10.00mW/°C above +70°C).....	800mW
Output Short-Circuit Duration	Indefinite	TO-100 (derate 6.67mW/°C above +70°C).....	533mW
Input Voltages.....	±5V	Operating Temperature Ranges	
Differential Input Voltages.....	7.0V	MAX9685C_.....	0°C to +70°C
Output Current.....	30mA	MAX9685E_.....	-40°C to +85°C
Continuous Power Dissipation (T _A = +70°C)		MAX9685M_.....	-55°C to +125°C
Plastic DIP (derate 10.53mW/°C above +70°C)	842mW	Storage Temperature Range.....	
Narrow SO (derate 8.70mW/°C above +70°C)	696mW	-55°C to +150°C	
		Lead Temperature (soldering, 10sec).....	
		+300°C	

Stresses beyond those listed under "Absolute Maximum Ratings" may cause permanent damage to the device. These are stress ratings only, and functional operation of the device at these or any other conditions beyond those indicated in the operational sections of the specifications is not implied. Exposure to absolute maximum rating conditions for extended periods may affect device reliability.

ELECTRICAL CHARACTERISTICS

(V₊ = +5V, V₋ = -5.2V, R_L = 50Ω, V_T = -2V, T_A = +25°C, unless otherwise noted.)

PARAMETER	SYMBOL	CONDITIONS	MAX9685C/E			MAX9685M			UNITS
			MIN	TYP	MAX	MIN	TYP	MAX	
Input Offset Voltage	V _{OS}	R _S = 100Ω	T _A = +25°C	-5	5	-5	5	mV	
			T _A = T _{MIN} to T _{MAX}	-7	7	-8	8		
Temperature Coefficient	ΔV _{OS} /ΔT			10		15		μV/°C	
Input Offset Current	I _{OS}	T _A = +25°C		5		5	μA		
		T _A = T _{MIN} to T _{MAX}		8		12			
Input Bias Current	I _B	T _A = +25°C		10	20	10	20	μA	
		T _A = T _{MIN} to T _{MAX}		30		40			
Input Voltage Range	V _{CM}	(Note 1)	-2.5		+2.5	-2.5		+2.5	V
Common-Mode Rejection Ratio	CMRR		80			80			dB
Power-Supply Rejection Ratio	PSRR			60			60		dB
Input Resistance	R _{IN}	(Note 1)	60			60			kΩ
Input Capacitance	C _{IN}			3			3		pF
Logic Output High Voltage	V _{OH}	MAX9685C, MAX9685M	T _A = T _{MIN}	-1.05	-0.87	-1.16	-0.89	V	
			T _A = T _{MAX}	-0.89	-0.70	0.88	-0.69		
			T _A = +25°C	-0.96	-0.81	-0.96	-0.81		
		MAX9685E	T _A = T _{MIN}	-1.14	-0.88				
			T _A = T _{MAX}	-0.88	-0.70				
			T _A = +25°C	-0.96	-0.81				
Logic Output Low Voltage	V _{OL}	MAX9685C, MAX9685M	T _A = T _{MIN}	-1.89	-1.69	-1.90	-1.65	V	
			T _A = T _{MAX}	-1.83	-1.57	-1.82	-1.55		
			T _A = +25°C	-1.85	-1.65	-1.85	-1.65		
		MAX9685E	T _A = T _{MIN}	-1.90	-1.65				
			T _A = T _{MAX}	-1.83	-1.57				
			T _A = +25°C	-1.85	-1.65				
Positive Supply Current	I _{CC}	T _A = +25°C		16	22	16	22	mA	
		T _A = T _{MIN} to T _{MAX}			24		25		
Negative Supply Current	I _{EE}	T _A = +25°C		20	32	20	32	mA	
		T _A = T _{MIN} to T _{MAX}			36		36		

Ultra-Fast ECL-Output Comparator with Latch Enable

MAX9685

SWITCHING CHARACTERISTICS

(V₊ = 5V, V₋ = -5.2V, R_L = 50Ω, V_T = -2V, T_A = +25°C, unless otherwise noted.)

PARAMETER	SYMBOL	CONDITIONS	MAX9685C/E			MAX9685M			UNITS
			MIN	TYP	MAX	MIN	TYP	MAX	
Input to Output High (Notes 1, 2)	t _{pd+}	T _A = +25°C	1.3	1.8		1.3	1.8	ns	
		T _A = 0°C to +70°C	1.5	2.0					
		T _A = -55°C to +125°C				1.7	2.4		
Input to Output Low (Notes 1, 2)	t _{pd-}	T _A = +25°C	1.3	1.8		1.3	1.8	ns	
		T _A = 0°C to +70°C	1.5	2.0					
		T _A = -55°C to +125°C				1.7	2.4		
Latch-Enable to Output High (Notes 1, 2)	t _{pd+(E)}	T _A = +25°C	1.2	1.7		1.2	1.7	ns	
		T _A = 0°C to +70°C	1.4	2.0					
		T _A = -55°C to +125°C				2.0	3.0		
Latch-Enable to Output High (Notes 1, 2)	t _{pd-(E)}	T _A = +25°C	1.2	1.7		1.2	1.7	ns	
		T _A = 0°C to +70°C	1.4	2.0					
		T _A = -55°C to +125°C				2.0	3.0		
Latch-Enable Pulse Width (Note 2)	t _{pw(E)}		3.0	2.0		3.0	2.0	ns	
Minimum Setup Time	t _s		0.5	1.0		0.5	1.0	ns	
Minimum Hold Time	t _h		0.5	1.0		0.5	1.0	ns	

Note 1: Not tested, guaranteed by design.

Note 2: V_{IN} = 100mV, V_{OD} = 10mV

Applications Information

Layout

Because of the MAX9685's large gain-bandwidth characteristic, special precautions need to be taken if its high-speed capabilities are to be used. A PC board with a ground plane is mandatory. Mount all decoupling capacitors as close to the power-supply pins as possible, and process the ECL outputs in microstrip fashion, consistent with the load termination of 50Ω to 120Ω. For low-impedance applications, microstrip layout at the input may also be helpful. Pay close attention to the bandwidth of the decoupling and terminating components. Chip components can be used to minimize lead inductance. An unused LE pin must be connected to ground.

Input Slew-Rate Requirements

As with all high-speed comparators, the high gain-bandwidth product of these devices creates oscillation problems when the input traverses through the linear region. For clean switching without oscillation or steps in the output waveform, the input must meet certain

minimum slew-rate requirements. The tendency of the part to oscillate is a function of the layout and source impedance of the circuit employed. Poor layout and larger source impedance will increase the minimum slew-rate requirement.

Figure 1 shows a high-speed receiver application with 50Ω input and output termination. With this configuration, in which a ground plane and microstrip PC board were used, the minimum slew rate for clean output switching is 1.6V/μs. Sine-wave inputs imply a minimum signal size of 360mV_{RMS} at 500kHz and 90mV_{RMS} at 4MHz.

$$E_{RMS} = \frac{\text{Slew Rate}}{2\sqrt{2}nf}$$

In many applications, the addition of regenerative feedback will assist the input signal through the linear region, which will lower the minimum slew-rate requirement considerably. For example, with the addition of positive feedback components R_f = 1kΩ and C_f = 10pF, the minimum slew-rate requirement can be reduced by a factor of four.

Ultra-Fast ECL-Output Comparator with Latch Enable

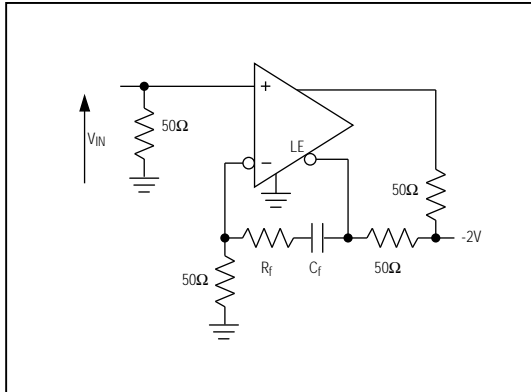


Figure 1. Regenerative Feedback. High-speed receiver with 50Ω input and output termination.

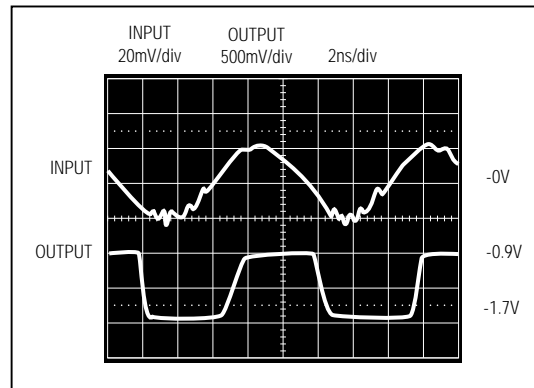


Figure 2. As a high-speed receiver, the MAX9685 is capable of processing signals in excess of 600MHz. Figure 2 is a 100MHz example with an input signal level of 14mV_{RMS}.

The timing diagram (Figure 3) illustrates the series of events that complete the compare function, under worst-case conditions.

The top line of the diagram illustrates two latch-enable pulses. Each pulse is high for the compare function and low for the latch function. The first pulse demonstrates the compare function; part of the input action takes place during the compare mode. The second pulse demonstrates a compare-function interval during which there is no change in the input.

The leading edge of the input signal (illustrated as a large-amplitude, small-overdrive pulse) switches the comparator after time interval t_{pd} . Output Q and \bar{Q} transistors are similar in timing. The input signal must occur at time t_s before the latch falling edge, and it must be maintained for time t_h after the edge to be acquired. After t_h , the output is no longer affected by the input status until the latch is again strobed. A minimum latch pulse width of $t_{pw}(E)$ is needed for the strobe operation, and the output transitions occur after a time $t_{pd}(E)$.

Definition of Terms

VOS	Input Offset Voltage—The voltage required between the input terminals to obtain 0V differential at the output.
V _{IN}	Input Voltage Pulse Amplitude
VOD	Input Voltage Overdrive
t_{pd+}	Input to Output High Delay—The propagation delay measured from the time the input signal crosses the input offset voltage to the 50% point of an output low-to-high transition.

t_{pd-}	Input to Output Low Delay—The propagation delay measured from the time the input signal crosses the input offset voltage to the 50% point of an output high-to-low transition.
$t_{pd+(E)}$	Latch-Enable to Output High Delay—The propagation delay measured from the 50% point of the latch-enable signal low-to-high transition to the 50% point of an output low-to-high transition.
$t_{pd-(E)}$	Latch-Enable to Output Low Delay—The propagation delay measured from the 50% point of the latch-enable signal low-to-high transition to the 50% point of an output high-to-low transition.
$t_{pw}(E)$	Minimum Latch-Enable Pulse Width—The minimum time the latch-enable signal must be high to acquire and hold an input signal.
t_s	Minimum Setup Time—The minimum time before the negative transition of the latch-enable pulse that an input signal must be present to be acquired and held at the outputs.
t_h	Minimum Hold Time—The minimum time after the negative transition of the latch-enable signal that an input signal must remain unchanged to be acquired and held at the output.

Ultra-Fast ECL-Output Comparator with Latch Enable

MAX9685

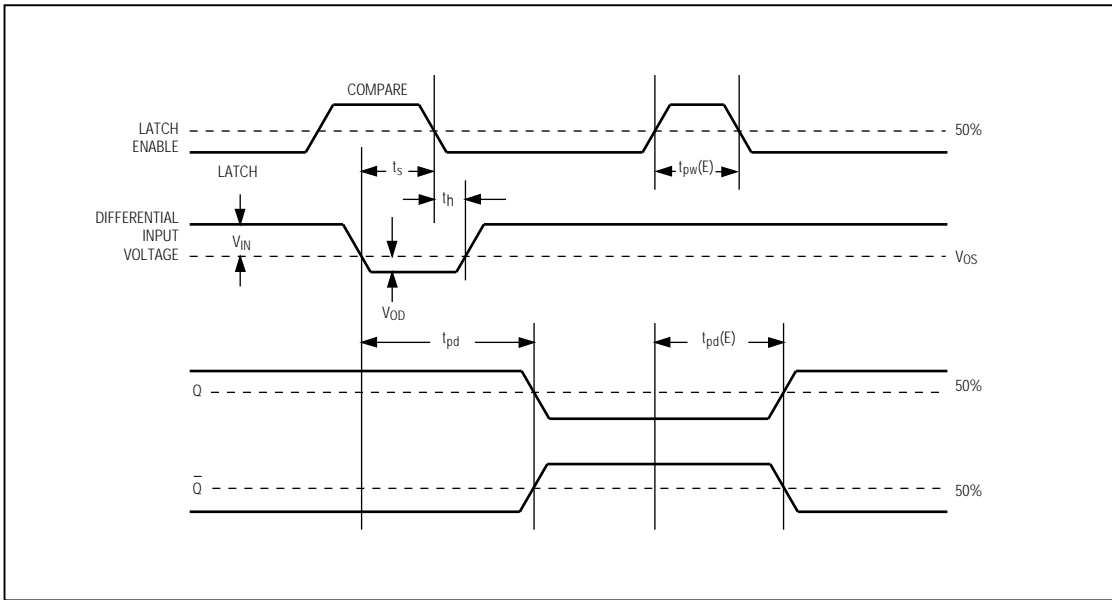


Figure 3. Timing Diagram

Ultra-Fast ECL-Output Comparator with Latch Enable

Package Information

**Plastic DIP
PLASTIC
DUAL-IN-LINE
PACKAGE
(0.300 in.)**

DIM	INCHES		MILLIMETERS	
	MIN	MAX	MIN	MAX
A	—	0.200	—	5.08
A1	0.015	—	0.38	—
A2	0.125	0.175	3.18	4.45
A3	0.055	0.080	1.40	2.03
B	0.016	0.022	0.41	0.56
B1	0.045	0.065	1.14	1.65
C	0.008	0.012	0.20	0.30
D1	0.005	0.080	0.13	2.03
E	0.300	0.325	7.62	8.26
E1	0.240	0.310	6.10	7.87
e	0.100	—	2.54	—
eA	0.300	—	7.62	—
eB	—	0.400	—	10.16
L	0.115	0.150	2.92	3.81

PKG.	DIM	PINS	INCHES		MILLIMETERS	
			MIN	MAX	MIN	MAX
P	D	8	0.348	0.390	8.84	9.91
P	D	14	0.735	0.765	18.67	19.43
P	D	16	0.745	0.765	18.92	19.43
P	D	18	0.885	0.915	22.48	23.24
P	D	20	1.015	1.045	25.78	26.54
N	D	24	1.14	1.265	28.96	32.13

21-0043A

**Narrow SO
SMALL-OUTLINE
PACKAGE
(0.150 in.)**

DIM	INCHES		MILLIMETERS	
	MIN	MAX	MIN	MAX
A	0.053	0.069	1.35	1.75
A1	0.004	0.010	0.10	0.25
B	0.014	0.019	0.35	0.49
C	0.007	0.010	0.19	0.25
E	0.150	0.157	3.80	4.00
e	0.050		1.27	
H	0.228	0.244	5.80	6.20
L	0.016	0.050	0.40	1.27

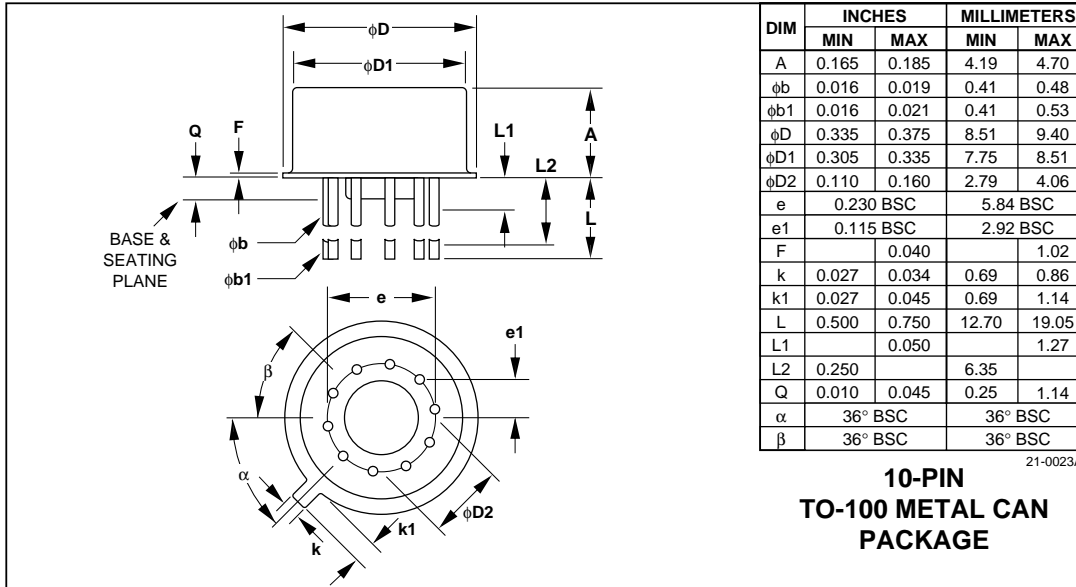
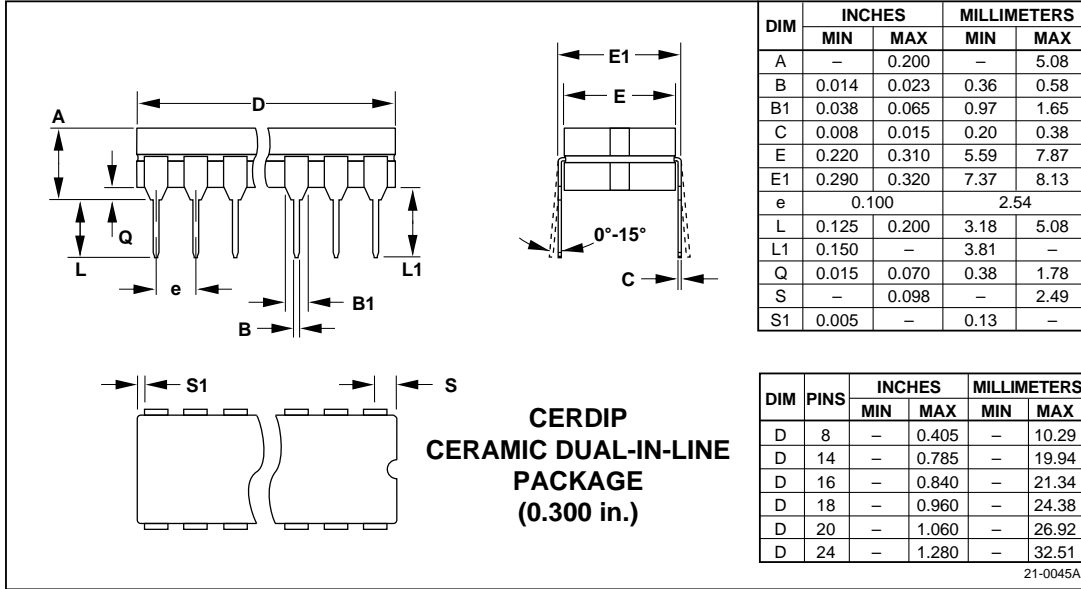
DIM	PINS	INCHES		MILLIMETERS	
		MIN	MAX	MIN	MAX
D	8	0.189	0.197	4.80	5.00
D	14	0.337	0.344	8.55	8.75
D	16	0.386	0.394	9.80	10.00

21-0041A

Ultra-Fast ECL-Output Comparator with Latch Enable

Package Information (continued)

MAX9685



MAX9685

Ultra-Fast ECL-Output Comparator with Latch Enable

Maxim cannot assume responsibility for use of any circuitry other than circuitry entirely embodied in a Maxim product. No circuit patent licenses are implied. Maxim reserves the right to change the circuitry and specifications without notice at any time.

8 _____ Maxim Integrated Products, 120 San Gabriel Drive, Sunnyvale, CA 94086 (408) 737-7600

© 1993 Maxim Integrated Products

Printed USA

MAXIM is a registered trademark of Maxim Integrated Products.