



STPR1020CB(-TR)

HIGH EFFICIENCY FAST RECOVERY RECTIFIER DIODES

MAIN PRODUCT CHARACTERISTICS

| | |
|----------------|---------|
| $I_{F(AV)}$ | 2 x 5 A |
| V_{RRM} | 200 V |
| $t_{rr} (max)$ | 35 ns |

PRELIMINARY DATASHEET

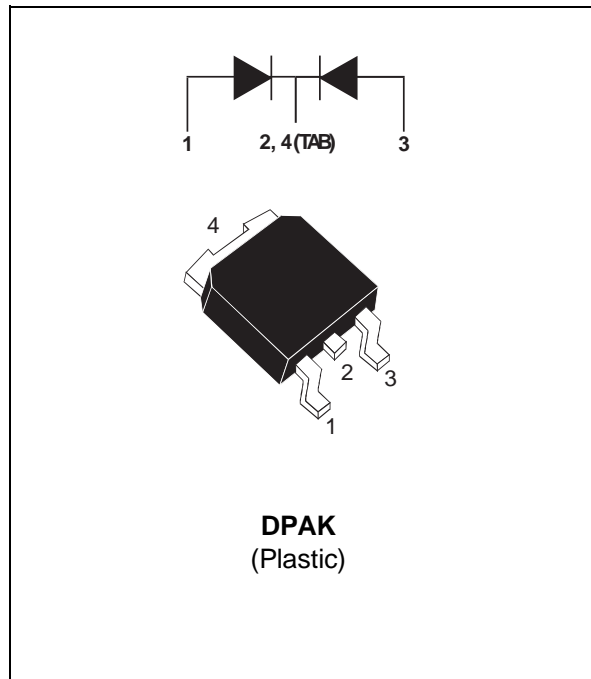
FEATURES AND BENEFITS

- SUITED FOR SMPS AND DRIVES
- SURFACE MOUNT
- VERY LOW FORWARD LOSSES
- NEGLIGIBLE SWITCHING LOSSES
- HIGH SURGE CURRENT CAPABILITY
- SURFACE MOUNT DEVICE
- TAPE AND REEL OPTION : -TR

DESCRIPTION

Dual rectifier suited for Switch Mode and high frequency converters.

Packaged in DPAK, this surface mount device is intended for use in low voltage, high frequency inverters, free wheeling and polarity protection applications.



ABSOLUTE MAXIMUM RATINGS

| Symbol | Parameter | Value | Unit |
|--------------|---|------------------------------------|-------------|
| V_{RRM} | Repetitive Peak Reverse Voltage | 200 | V |
| V_{RSM} | Non Repetitive Surge Reverse Voltage | 220 | V |
| $I_{F(RMS)}$ | RMS Forward Current | Per diode 10 | A |
| $I_{F(AV)}$ | Average Forward Current $T_{case} = 130^{\circ}C$ $\delta = 0.5$ | Per diode 5 Per device 10 | A |
| I_{FSM} | Surge Non Repetitive Forward Current $t_p = 10$ ms Sinusoidal | Per diode 70 | A |
| Tstg | Storage Temperature Range | - 40 to + 150 | $^{\circ}C$ |
| T_j | Max. Junction Temperature | 150 | $^{\circ}C$ |

STPR1020CB(-TR)

THERMAL RESISTANCES

| Symbol | Parameter | | Value | Unit |
|---------------|-------------------------------------|-----------|-------|------|
| $R_{th(j-c)}$ | Junction to Case Thermal Resistance | Per diode | 5 | °C/W |
| | | Total | 2.7 | |
| $R_{th(c)}$ | Coupling | | | °C/W |

When the diodes 1 and 2 are used simultaneously :

$$\Delta T_j(\text{diode 1}) = P(\text{diode}) \times R_{th}(\text{per diode}) + P(\text{diode 2}) \times R_{th(c)}$$

STATIC ELECTRICAL CHARACTERISTICS (per diode)

| Symbol | Tests Conditions | Tests Conditions | | Min. | Typ. | Max. | Unit |
|------------|-------------------------|---------------------------|---------------------|------|------|------|---------------|
| I_R^* | Reverse leakage Current | $T_j = 25^\circ\text{C}$ | $V_R = V_{RRM}$ | | | 20 | μA |
| | | $T_j = 100^\circ\text{C}$ | | | 0.15 | 0.5 | mA |
| V_F^{**} | Forward Voltage drop | $T_j = 25^\circ\text{C}$ | $I_F = 10\text{ A}$ | | | 1.25 | V |
| | | $T_j = 100^\circ\text{C}$ | $I_F = 5\text{ A}$ | | 0.8 | 0.85 | |

Pulse test : * $t_p = 5\text{ ms}$, duty cycle $< 2\%$

** $t_p = 380\text{ }\mu\text{s}$, duty cycle $< 2\%$

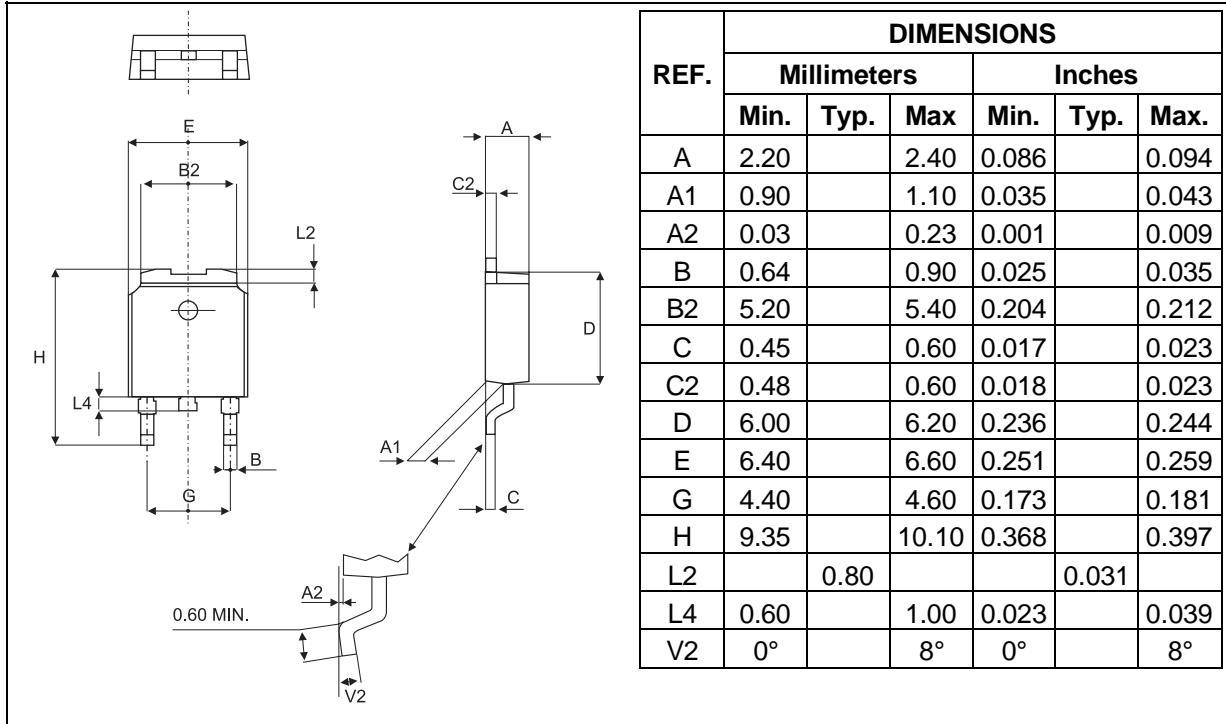
To evaluate the maximum conduction losses use the following equation :

$$P = 0.7 \times I_{F(AV)} + 0.030 I_{F(RMS)}^2$$

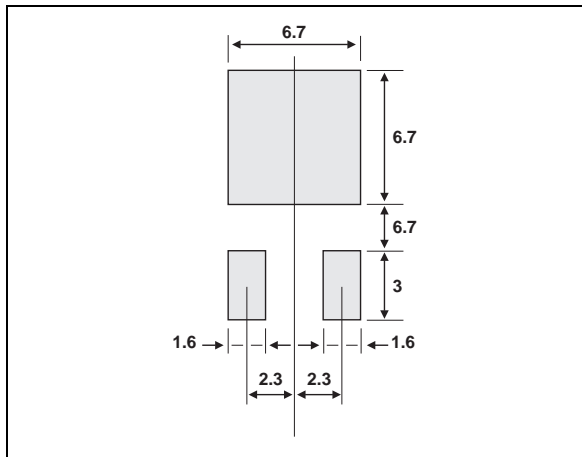
RECOVERY CHARACTERISTICS

| Symbol | Test Conditions | | | Min. | Typ. | Max. | Unit |
|----------|--------------------------|---|-----------------------------|------|------|------|------|
| t_{rr} | $T_j = 25^\circ\text{C}$ | $I_F = 1\text{ A}$ $V_F = 30\text{ V}$ | $di_F/dt = -50\text{ A/ms}$ | | | 35 | ns |
| t_{fr} | $T_j = 25^\circ\text{C}$ | $I_F = 1\text{ A}$ $V_{FR} = 1.1 \times V_F$ | $t_r = 10\text{ ns}$ | | 20 | | ns |
| V_{FP} | $T_j = 25^\circ\text{C}$ | $I_F = 1\text{ A}$ | $t_r = 10\text{ ns}$ | | 5 | | V |

PACKAGE MECHANICAL DATA
DPAK



FOOT PRINT in millimeters



Information furnished is believed to be accurate and reliable. However, STMicroelectronics assumes no responsibility for the consequences of use of such information nor for any infringement of patents or other rights of third parties which may result from its use. No license is granted by implication or otherwise under any patent or patent rights of STMicroelectronics. Specifications mentioned in this publication are subject to change without notice. This publication supersedes and replaces all information previously supplied. STMicroelectronics products are not authorized for use as critical components in life support devices or systems without express written approval of STMicroelectronics.

The ST logo is a registered trademark of STMicroelectronics

© 1999 STMicroelectronics - Printed in Italy - All rights reserved.

STMicroelectronics GROUP OF COMPANIES

Australia - Brazil - Canada - China - France - Germany - Italy - Japan - Korea - Malaysia - Malta - Mexico - Morocco - The Netherlands - Singapore - Spain - Sweden - Switzerland - Taiwan - Thailand - United Kingdom - U.S.A.

<http://www.st.com>

