

# Square Type

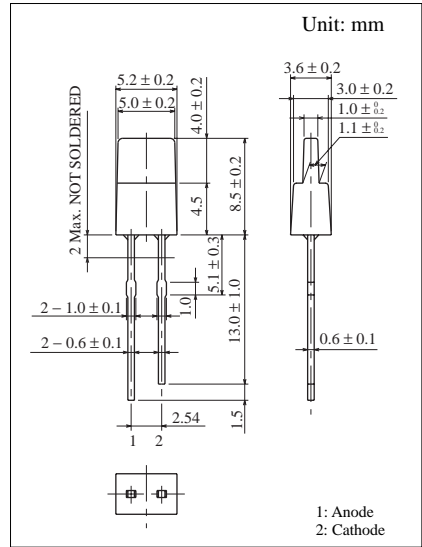
## 5.0 mm × 1.0 mm Series

| Conventional Part No. | Global Part No. | Lighting Color |
|-----------------------|-----------------|----------------|
| LN224RP               | LNG224RDR       | Red            |
| LN324GP               | LNG324GDG       | Green          |
| LN424YP               | LNG424YDX       | Amber          |

### ■ Absolute Maximum Ratings ( $T_a = 25^\circ\text{C}$ )

| Lighting Color | $P_D$ (mW) | $I_F$ (mA) | $I_{FP}$ (mA)* | $V_R$ (V) | $T_{opr}$ ( $^\circ\text{C}$ ) | $T_{stg}$ ( $^\circ\text{C}$ ) |
|----------------|------------|------------|----------------|-----------|--------------------------------|--------------------------------|
| Red            | 70         | 25         | 150            | 4         | -25 ~ +85                      | -30 ~ +100                     |
| Green          | 90         | 30         | 150            | 4         | -25 ~ +85                      | -30 ~ +100                     |
| Amber          | 90         | 30         | 150            | 4         | -25 ~ +85                      | -30 ~ +100                     |

$I_{FP}$ の条件は duty 10% , Pulse width 1 msec. The condition of  $I_{FP}$  is duty 10%, Pulse width 1 msec



### ■ Electro-Optical Characteristics ( $T_a = 25^\circ\text{C}$ )

| Conventional Part No. | Lighting Color | Lens Color     | $I_O$ |     | $I_F$ | $V_F$ |     | $\lambda_P$ | $\Delta\lambda$ | $I_F$ | $I_R$         |       |
|-----------------------|----------------|----------------|-------|-----|-------|-------|-----|-------------|-----------------|-------|---------------|-------|
|                       |                |                | Typ   | Min |       | Typ   | Max |             |                 |       | Max           | $V_R$ |
| LN224RP               | Red            | Red Diffused   | 0.6   | 0.3 | 15    | 2.2   | 2.8 | 700         | 100             | 20    | 5             | 4     |
| LN324GP               | Green          | Green Difused  | 2.5   | 1.0 | 20    | 2.2   | 2.8 | 565         | 30              | 20    | 10            | 4     |
| LN424YP               | Amber          | Amber Diffused | 2.0   | 0.7 | 20    | 2.2   | 2.8 | 590         | 30              | 20    | 10            | 4     |
| Unit                  | —              | —              | mcd   | mcd | mA    | V     | V   | nm          | nm              | mA    | $\mu\text{A}$ | V     |

