

**SANYO**

No. 4013A

**LC83015E****Digital Signal Processor  
for Audio Applications****OVERVIEW**

The LC83015E is a digital signal processor IC designed for medium- and high-class home audio systems, such as AV amplifiers, mini, super-mini and car audio component systems.

The LC83015E is part of the LC83010N/NE family. It features an internal ROM, with a large standard program library, an internal RAM for user programs and a wide variety of interface capabilities. The standard program library includes sound-field simulation, theater surround and karaoke programs.

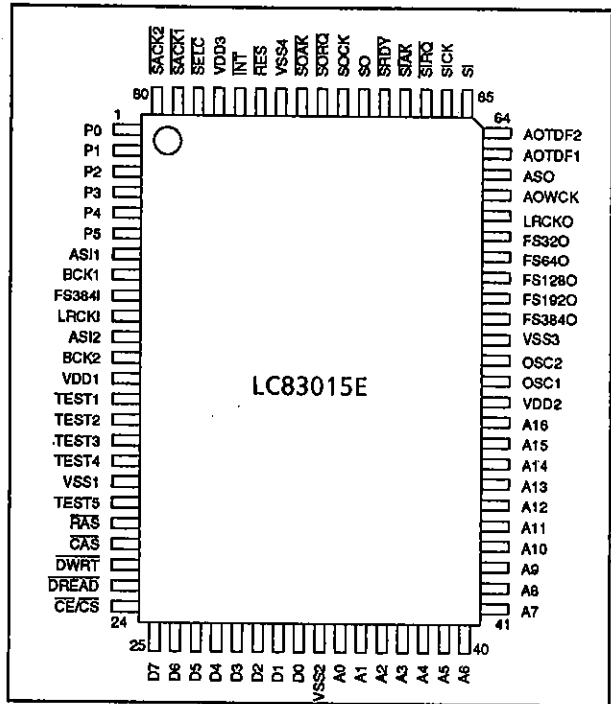
The LC83015E operates from a 5 V supply and is available in 80-pin QFPs.

**FEATURES**

- 80 ns cycle time at  $f_s = 48$  kHz (256 cycles/ $f_s$ )
- Dual-Harvard architecture allows single-cycle stereo signal integration and playback, with two of each of the following.
  - 24 × 16-bit fixed decimal point multiplier
  - 32-bit arithmetic operation and 24-bit arithmetic logic operation ALU/shifter
  - 32-bit accumulator
  - 8 × 32-bit temporary storage registers
  - 64 × 24-bit internal data RAM
  - 128 × 16-bit internal coefficient RAM
  - 304 × 16-bit internal coefficient ROM
- Large program memory
  - 1024 × 32-bit standard program ROM
  - 256 × 32-bit user program RAM
- Standard program ROM
  - Sound-field simulation library
    - Auditorium simulation
    - Stereo, 3-band graphic equalizer
    - 12-band spectrum analyzer
  - Karaoke function library
    - Pitch shift (realized in program RAM)
    - Vocal mute
    - Microphone echo
- Coefficient ROM
  - Logarithmic conversion coefficients
- Audio interface
  - 2 input channels compatible with a variety of formats
  - 3 output channels compatible with a variety of 32/64fs formats
- External memory interface
  - DRAM interface
    - 120 ns (maximum) RAS access time
    - 1 Mbyte (256 Kbyte × 4) or 256 Kbyte (64 Kbyte × 4)
    - 1 or 2 units

- SRAM/ROM interface
  - 100 ns (maximum) address access time
  - 1 Mbyte (128 Kbyte × 8) or 256 Kbyte (32 Kbyte × 8)
  - 1 unit
- Pseudo-SRAM interface
  - 70 ns (maximum) CE access time
  - 1 Mbyte (128 Kbyte × 8) or 256 Kbyte (32 Kbyte × 8)
  - 1 unit
- Maximum external memory access per sampling period
  - 42/32 access for 16- /24-bit, with 2 DRAMs
  - 51/36 access for 16- /24-bit, with 2 SRAM
  - 64/42 access for 16- /24-bit, with 1 pseudo-SRAM
- Serial microprocessor interface
  - 8-bit
  - Input and output synchronization control
  - 8 × 16-bit LIFO register
- Other functions
  - Interrupt input
  - 4-level stack nesting
  - 12-bit interval timer
- Compatible with LC83EV015 (PGA120) evaluation IC
- 5 V supply voltage
- 80-pin QFP

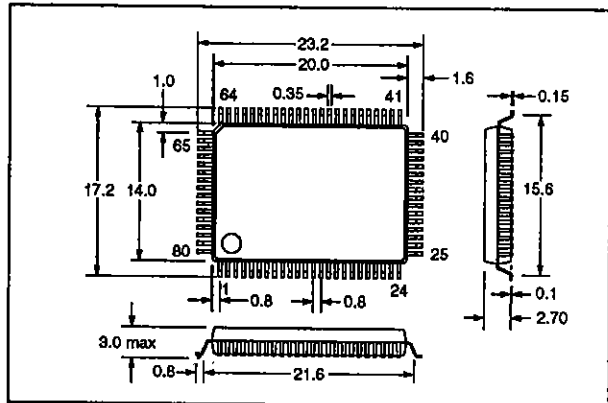
**PIN ASSIGNMENT**



**PACKAGE DIMENSIONS**

Unit: mm

3174-QIP80E



## LC83015E

### PIN DESCRIPTION

Number	Name	Description
1 to 6	P0 to P5	General-purpose input/output port. Internal pull-up resistor
7	ASI1	Audio data serial input 1
8	BCK1	64fs or 32fs bit clock input for ASI1
9	FS384I	384fs or 512fs input
10	LRCKI	Left-/right-channel clock input
11	ASI2	Audio data serial input 2
12	BCK2	64fs or 32fs bit clock input for ASI2
13, 51, 77	VDD1 to VDD3	Supply voltage connections
14 to 17	TEST1 to TEST4	Test inputs. Connect to ground for normal operation.
18, 33, 54, 74	VSS1 to VSS4	Ground connections
19	TEST5	Test output. Leave open for normal operation.
20	$\overline{RAS}$	DRAM interface $\overline{RAS}$ output
21	$\overline{CAS}$	DRAM interface $\overline{CAS}$ output
22	$\overline{DWRT}$	Data write output
23	$\overline{DREAD}$	Data read output
24	$\overline{CE/CS}$	External SRAM or pseudo-SRAM chip enable output
25 to 32	D7 to D0	External memory data bus
34 to 50	A0 to A16	External memory address bus
52	OSC1	Crystal oscillator input. Connect to $V_{DD}$ or $V_{SS}$ when not used.
53	OSC2	Crystal oscillator output. Leave open when not used.
55	FS384O	384fs or 512fs output (Same as FS384I or OSC1/OSC2 clock)
56	FS192O	192fs or 256fs output (1/2 of FS384O)
57	FS128O	128fs output (1/3 or 1/4 of FS384O)
58	FS64O	64fs or 32fs output (BCK1 of 1/2 of FS128O)
59	FS32O	32fs or 16fs output (1/2 of FS64O)
60	LRCKO	1fs output (LRCKI or 1/64 of FS64O)
61	AOWCK	2fs or 1fs output (1/32 of FS64O)
62	ASO	Audio data serial output 1
63	AOTDF1	Audio data serial output 2
64	AOTDF2	Audio data serial output 3
65	SI	8-bit serial data input
66	SICK	SI clock input
67	$\overline{SIRQ}$	Serial data input request input
68	$\overline{SIACK}$	Serial data input acknowledge output

## LC83015E

Number	Name	Description
69	$\overline{\text{SRDY}}$	Serial data input ready input
70	SO	8-bit serial data output
71	SOCK	SO clock input
72	$\overline{\text{SORQ}}$	Serial data output request input
73	$\overline{\text{SOAK}}$	Serial data output acknowledge output
75	$\overline{\text{RES}}$	Reset input. Internal pull-up resistor
76	$\overline{\text{INT}}$	Interrupt request input. Internal pull-up resistor
78	$\overline{\text{SELC}}$	Instruction clock source selection input. Internal pull-down resistor
79	$\overline{\text{SACK1}}$	FS3840 selection terminal. Internal pull-down resistor
80	$\overline{\text{SACK2}}$	Fs output clock source selection input. Internal pull-down resistor

## SPECIFICATIONS

### Absolute Maximum Ratings

Parameter	Symbol	Rating	Unit
Supply voltage range	$V_{DD1}, V_{DD2}, V_{DD3}$	-0.3 to 7.0	V
Input voltage range	$V_i$	-0.3 to $V_{DD} + 0.3$	V
Output voltage range	$V_{O1}$	-0.3 to $V_{DD} + 0.3$	V
OSC2 output voltage	$V_{O2}$	Up to approved oscillator voltage	V
Audio data and external memory interface output current range. See note 1.	$I_{O1}$	-2 to 4	mA
SO, SOAK and SJAK output current range	$I_{O2}$	-2 to 10	mA
P0 to P5 output current range	$I_{O3}$	-1 to 10	mA
Power dissipation	$P_D$	700	mW
Operating temperature range	$T_{opr}$	-30 to 70	°C
Storage temperature range	$T_{stg}$	-40 to 125	°C

#### Note

1. Pins ASO, AOTDF1, AOTDF2, FS384O, FS192O, FS128O, FS64O, FS32O, AOWCK, LRCKO, D0 to D7, A0 to A16, RAS, CAS, DREAD, DWRT and CE/CS

### Recommended Operating Conditions

$V_{SS1}$  to  $V_{SS4} = 0$  V,  $T_a = -30$  to  $70$  °C

Parameter	Symbol	Rating	Unit
Supply voltage range	$V_{DD1}, V_{DD2}, V_{DD3}$	4.75 to 5.25	V

### Electrical Characteristics

$V_{DD1}$  to  $V_{DD3} = 4.75$  to  $5.25$  V,  $V_{SS1}$  to  $V_{SS4} = 0$  V,  $T_a = -30$  to  $70$  °C

Parameter	Symbol	Condition	Rating			Unit
			min	typ	max	
Current consumption	$I_{DD}$	25 MHz external clock. See note 8.	-	50	105	mA
Audio data and external memory interface LOW-level input voltage. See note 1.	$V_{IL1}$		-	-	0.8	V
Audio data and external memory interface HIGH-level input voltage. See note 1.	$V_{IH1}$		2.4	-	-	V
LOW-level input voltage. See note 2.	$V_{IL2}$		-	-	$0.3V_{DD}$	V
HIGH-level input voltage. See note 2.	$V_{IH2}$		$0.7V_{DD}$	-	-	V
Serial interface LOW-level input voltage. See note 3.	$V_{IL3}$		-	-	$0.25V_{DD}$	V
Serial interface HIGH-level input voltage. See note 3.	$V_{IH3}$		$0.75V_{DD}$	-	-	V
LOW-level output voltage	$V_{OL}$	$I_{OL} = 2$ mA	-	-	0.4	V
		$I_{OL} = 10$ mA	-	-	1.5	

# LC83015E

Parameter	Symbol	Condition	Rating			Unit
			min	typ	max	
HIGH-level output voltage	$V_{OH}$	$I_{OH} = -0.4 \text{ mA}$	4.0	-	-	V
		$I_{OH} = -50 \text{ } \mu\text{A}$	$V_{DD} - 1.2$	-	-	
$\overline{RES}$ and $\overline{INT}$ LOW-level input current	$I_{IL1}$	$V_I = V_{SS}$	-250	-	-	$\mu\text{A}$
P0 to P5 LOW-level input current	$I_{IL2}$	$V_I = V_{SS}$	-1000	-	-	$\mu\text{A}$
Other LOW-level input current	$I_{IL3}$	$V_I = V_{SS}$	-10	-	-	$\mu\text{A}$
$\overline{SELC}$ , $\overline{SACK1}$ and $\overline{SACK2}$ HIGH-level input current	$I_{IH1}$	$V_I = V_{DD}$	-	-	250	$\mu\text{A}$
HIGH-level input current	$I_{IH2}$	$V_I = V_{DD}$	-	-	10	$\mu\text{A}$
$\overline{RAS}$ , $\overline{CAS}$ , $\overline{DWRT}$ , $\overline{DREAD}$ and $\overline{CE/CS}$ total output current	$\Sigma I_{OA1}$		-10	-	10	mA
D0 to D7 and A0 to A16 total output current	$\Sigma I_{OA2}$		-20	-	20	mA
Total output current. See note 6.	$\Sigma I_{OA3}$		-15	-	15	mA
Total output current. See note 7.	$\Sigma I_{OA4}$		-10	-	10	mA
Output leakage current	$I_{OFF}$		-40	-	40	$\mu\text{A}$
Input capacitance	$C_i$		-	-	10	pF

## Notes

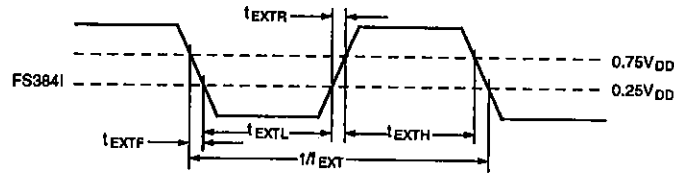
1. Pins  $\overline{BCK1}$ ,  $\overline{BCK2}$ ,  $\overline{AS11}$ ,  $\overline{AS12}$ ,  $\overline{LRCKI}$  and D0 to D7. Schmitt trigger inputs
2. Pins P0 to P5,  $\overline{TEST1}$  to  $\overline{TEST4}$ ,  $\overline{SELC}$ ,  $\overline{SACK1}$  and  $\overline{SACK2}$
3. Pins  $\overline{RES}$ ,  $\overline{INT}$ ,  $\overline{SI}$ ,  $\overline{SICK}$ ,  $\overline{SIRQ}$ ,  $\overline{SRDY}$ ,  $\overline{SOCK}$ ,  $\overline{SORQ}$ , FS384I and OSC1. Schmitt trigger inputs
4. Pins  $\overline{ASO}$ ,  $\overline{AOTDF1}$ ,  $\overline{AOTDF2}$ , FS384O, FS192O, FS128O, FS64O, FS32O,  $\overline{AOWCK}$ ,  $\overline{LRCKO}$ , D0 to D7, A0 to A16,  $\overline{RAS}$ ,  $\overline{CAS}$ ,  $\overline{DREAD}$ ,  $\overline{DWRT}$  and  $\overline{CE/CS}$ . TTL-level outputs
5. Pins  $\overline{RAS}$ ,  $\overline{CAS}$ ,  $\overline{DWRT}$ ,  $\overline{DREAD}$  and  $\overline{CE/CS}$
6. Pins FS384O, FS192O, FS128O, FS64O, FS32O,  $\overline{LRCKO}$ ,  $\overline{AOWCK}$ ,  $\overline{ASO}$  and  $\overline{AOTDF1/2}$
7. Pins  $\overline{SIACK}$ ,  $\overline{SRDY}$ ,  $\overline{SO}$ ,  $\overline{SOAK}$  and P0 to P5
8. See section DESIGN NOTES for measurement conditions.

## System clock

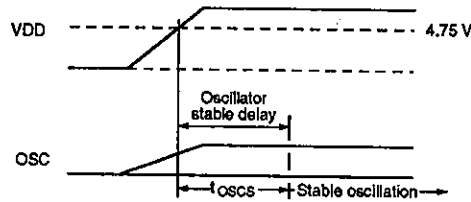
$V_{DD1}$  to  $V_{DD3} = 4.75$  to  $5.25 \text{ V}$ ,  $V_{SS1}$  to  $V_{SS4} = 0 \text{ V}$ ,  $T_a = -30$  to  $70 \text{ } ^\circ\text{C}$

Parameter	Symbol	Rating			Unit
		min	typ	max	
FS384I external clock frequency	$f_{EXT}$	12.16	-	24.83	MHz
FS384I external clock LOW- and HIGH-level pulsewidth	$t_{EXTL}$ , $t_{EXTH}$	16	-	-	ns
FS384I external clock rise and fall time	$t_{EXTR}$ , $t_{EXTF}$	-	-	9	ns
OSC1/OSC2 crystal oscillator frequency	$f_{OSC}$	-	-	24.83	MHz
OSC1/OSC2 crystal oscillator stable delay	$t_{OSCS}$	-	-	100	ms
Operating period	$T_{Cyc}$	79	-	169	ns

External clock timing



Oscillator stable delay time



Audio data interface

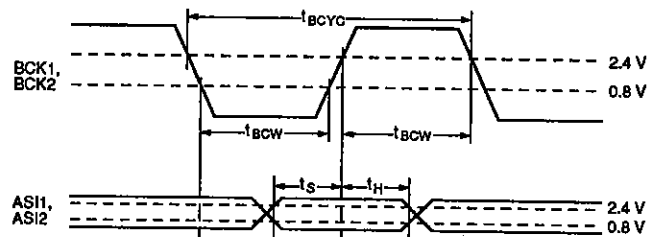
$V_{DD1}$  to  $V_{DD3} = 4.75$  to  $5.25$  V,  $V_{SS1}$  to  $V_{SS4} = 0$  V,  $T_a = -30$  to  $70$  °C

Parameter	Symbol	Rating			Unit
		min	typ	max	
Input bit clock period	$t_{bcyc}$	325	-	-	ns
Input bit clock pulsewidth	$t_{bcw}$	100	-	-	ns
Data setup time	$t_s$	70	-	-	ns
Data hold time	$t_H$	70	-	-	ns
Output data propagation delay	$t_{OD}$	-	-	50	ns
Output data hold time	$t_{OH}$	0	-	-	ns

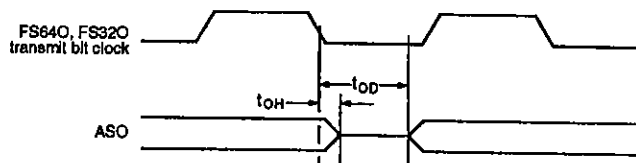
Note

Output timing values are measured with a load capacitance of 50 pF.

Audio data input timing



Audio data output timing



# LC83015E

## Serial data interface

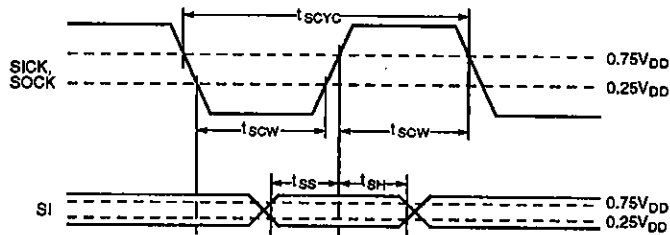
$V_{DD1}$  to  $V_{DD3} = 4.75$  to  $5.25$  V,  $V_{SS1}$  to  $V_{SS4} = 0$  V,  $T_a = -30$  to  $70$  °C

Parameter	Symbol	Rating			Unit
		min	typ	max	
Serial clock period	$t_{SCYC}$	480	-	-	ns
Serial clock pulsewidth	$t_{SCW}$	200	-	-	ns
Input data setup time	$t_{SS}$	70	-	-	ns
Input data hold time	$t_{SH}$	70	-	-	ns
Output data propagation delay	$t_{SD}$	-	-	100	ns

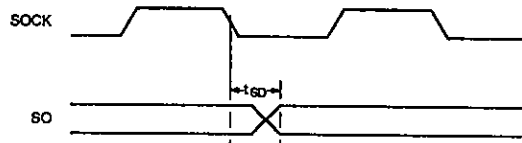
### Note

Output timing values are measured with a load capacitance of 50 pF.

### Serial data input timing



### Serial data output timing



## External DRAM interface

$V_{DD1}$  to  $V_{DD3} = 4.75$  to  $5.25$  V,  $V_{SS1}$  to  $V_{SS4} = 0$  V,  $T_a = -30$  to  $70$  °C

Parameter	Symbol	Rating			Unit
		min	typ	max	
Input data setup time	$t_{DSH}$	15	-	-	ns
Input data hold time	$t_{DHI}$	0	-	-	ns
CAS LOW-level pulsewidth	$t_{CAS}$	75	-	-	ns
CAS HIGH-level pulsewidth	$t_{CP}$	75	-	-	ns
RAS LOW-level pulsewidth	$t_{RAS}$	350	-	-	ns
RAS HIGH-level pulsewidth	$t_{RP}$	110	-	-	ns
CAS period	$t_{PC}$	160	-	-	ns
RAS to CAS propagation delay	$t_{RCD}$	110	-	-	ns
CAS hold time	$t_{CSH}$	190	-	-	ns
RAS hold time	$t_{RSH}$	70	-	-	ns
RAS address setup time	$t_{ASR}$	140	-	-	ns



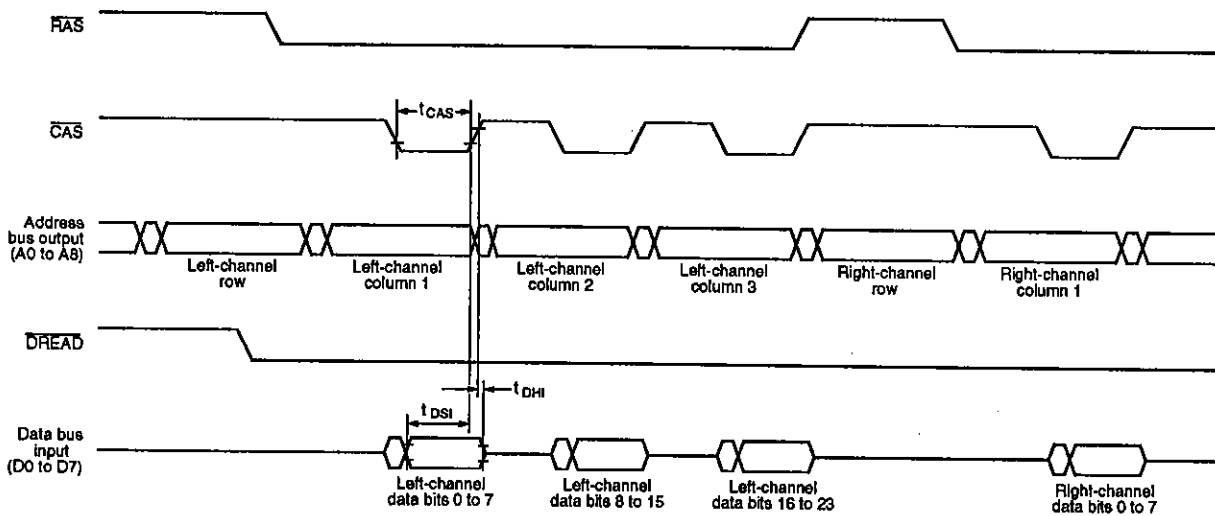
# LC83015E

Parameter	Symbol	Rating			Unit
		min	typ	max	
RAS address hold time	$t_{RAH}$	30	-	-	ns
CAS address setup time	$t_{ASC}$	70	-	-	ns
CAS address hold time	$t_{CAH}$	70	-	-	ns
DWRT pulsewidth	$t_{WP}$	75	-	-	ns
Write command setup time	$t_{WCS}$	30	-	-	ns
Write command hold time	$t_{WCH}$	30	-	-	ns
Output data setup time	$t_{DSO1}$	50	-	-	ns
Output data hold time	$t_{DHO1}$	50	-	-	ns

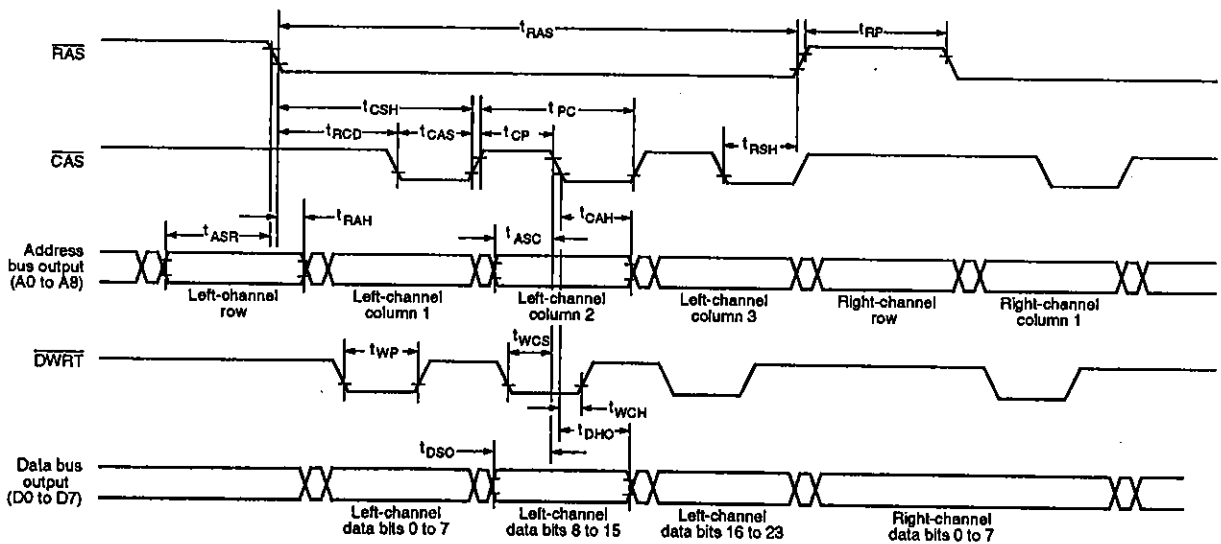
## Note

Output timing values are measured with a load capacitance of 50 pF.

## External DRAM Input timing



## External DRAM output timing



External SRAM interface

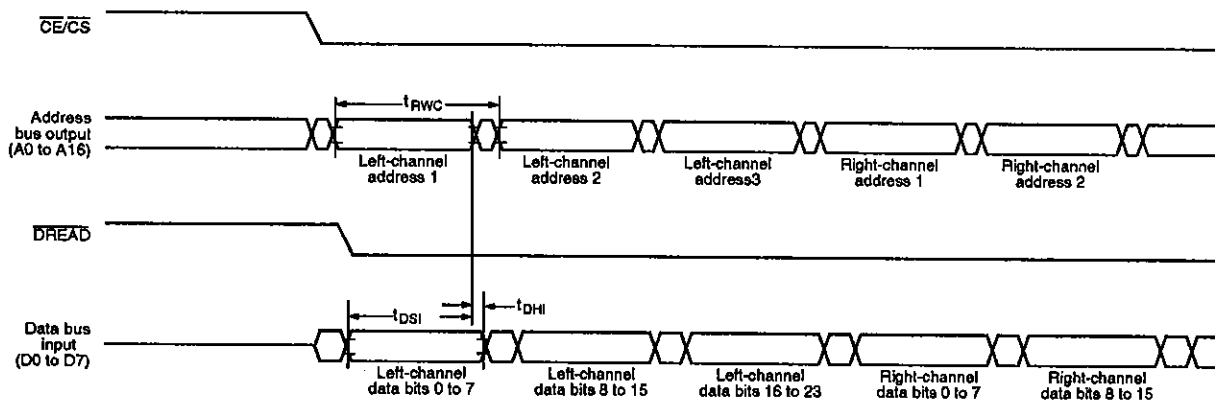
$V_{DD1}$  to  $V_{DD3} = 4.75$  to  $5.25$  V,  $V_{SS1}$  to  $V_{SS4} = 0$  V,  $T_a = -30$  to  $70$  °C

Parameter	Symbol	Rating			Unit
		min	typ	max	
Input data setup time	$t_{DSI2}$	60	-	-	ns
Input data hold time	$t_{DHI2}$	0	-	-	ns
Read/write cycle time	$t_{RWC}$	160	-	-	ns
Address setup time	$t_{AS}$	10	-	-	ns
Write recovery time	$t_{WR}$	30	-	-	ns
DWRT pulsewidth	$t_{WP}$	75	-	-	ns
Output data setup time	$t_{DSO2}$	50	-	-	ns
Output data hold time	$t_{DHO2}$	30	-	-	ns

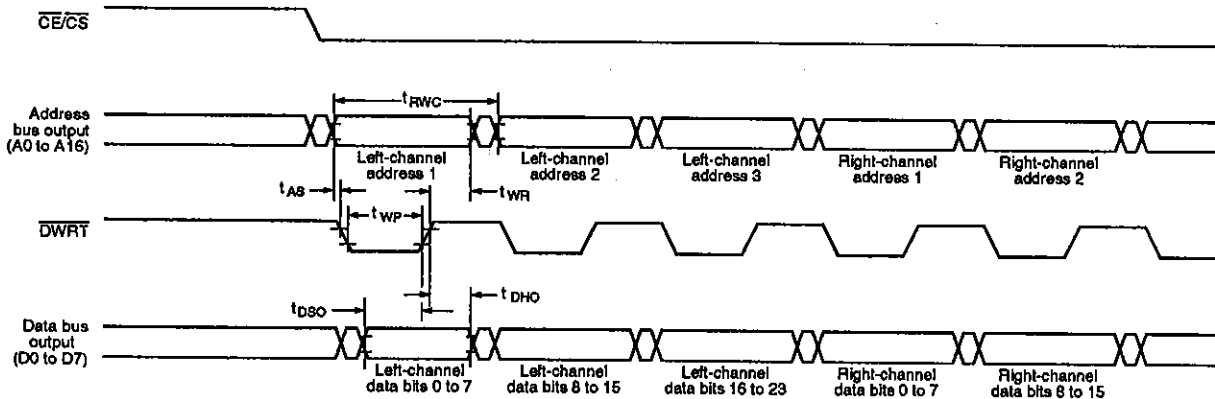
Note

Output timing values are measured with a load capacitance of 50 pF.

External SRAM input timing



External SRAM output timing



# LC83015E

## External pseudo-SRAM interface

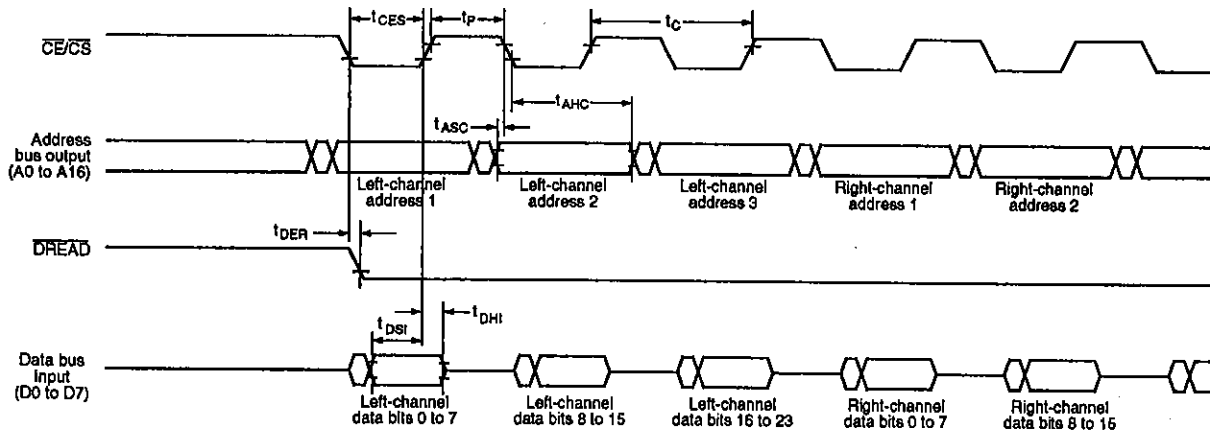
$V_{DD1}$  to  $V_{DD3} = 4.75$  to  $5.25$  V,  $V_{SS1}$  to  $V_{SS4} = 0$  V,  $T_a = -30$  to  $70$  °C

Parameter	Symbol	Rating			Unit
		min	typ	max	
Input data setup time	$t_{DS1}$	10	-	-	ns
Input data hold time	$t_{DH1}$	0	-	-	ns
$\overline{CE}/\overline{CS}$ period	$t_c$	160	-	-	ns
$\overline{CE}/\overline{CS}$ pulsewidth	$t_{CES}$	75	-	-	ns
$\overline{CE}/\overline{CS}$ pre-charge time	$t_p$	75	-	-	ns
$\overline{CE}/\overline{CS}$ address setup time	$t_{ASC}$	15	-	-	ns
$\overline{CE}/\overline{CS}$ address hold time	$t_{AHC}$	100	-	-	ns
Write command hold time	$t_{WCH}$	70	-	-	ns
Write command read time	$t_{CWL}$	70	-	-	ns
DWRT pulsewidth	$t_{WP}$	75	-	-	ns
DWRT output data setup time	$t_{OSW}$	50	-	-	ns
DWRT output data hold time	$t_{DHW}$	30	-	-	ns
$\overline{CE}/\overline{CS}$ output data setup time	$t_{OSC}$	50	-	-	ns
$\overline{CE}/\overline{CS}$ output data hold time	$t_{OHC}$	30	-	-	ns
$\overline{CE}/\overline{CS}$ to DREAD propagation delay	$t_{DER}$	0	-	30	ns

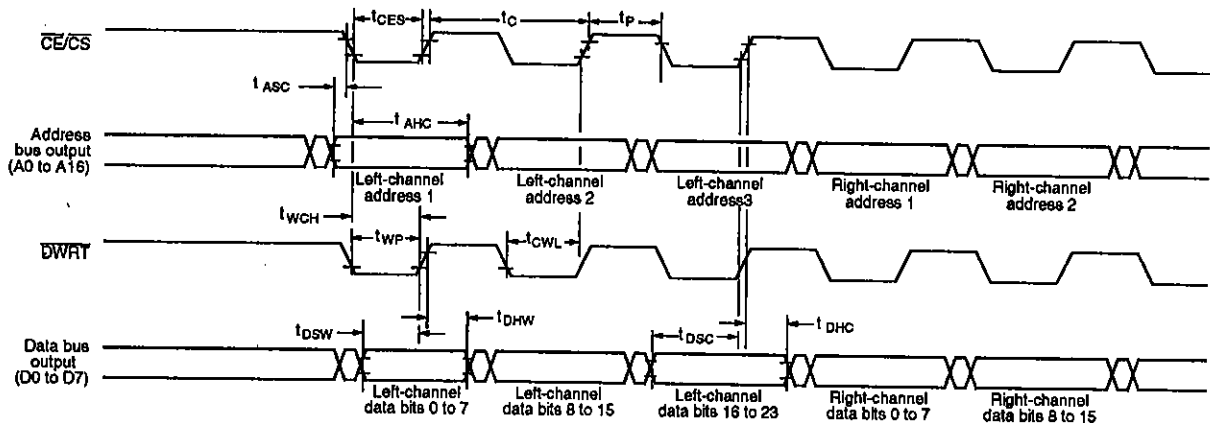
### Note

Output timing values are measured with a load capacitance of 50 pF.

### External pseudo-SRAM input timing



External pseudo-SRAM output timing



DESIGN NOTES

When  $\overline{SEL}C$  is LOW, the LC83015E system clock is generated from FS384I. When  $\overline{SEL}C$  is HIGH, it is generated from the free-running oscillator, OSC1. When  $\overline{SACK}1$  is LOW, FS384O output is  $1/3$  of FS128O output. When  $\overline{SACK}1$  is HIGH, it is  $1/4$  of FS128O output. When  $\overline{SACK}2$  is LOW, the output clock is generated from FS384I, LRCKI and BCK1. When  $\overline{SACK}2$  is HIGH, it is generated from the free-running oscillator, OSC1.

When the LC83015E is used with one DRAM unit, only D0 to D3 of the data bus are used. When the LC83015E is used with two DRAM units, SRAM or pseudo-SRAM, D0 to D7 are used.

The typical supply current,  $I_{DD}$ , is measured with Sanyo Standard Theatre Mode in operation under the input/output conditions shown in figure 1.

LC83015E

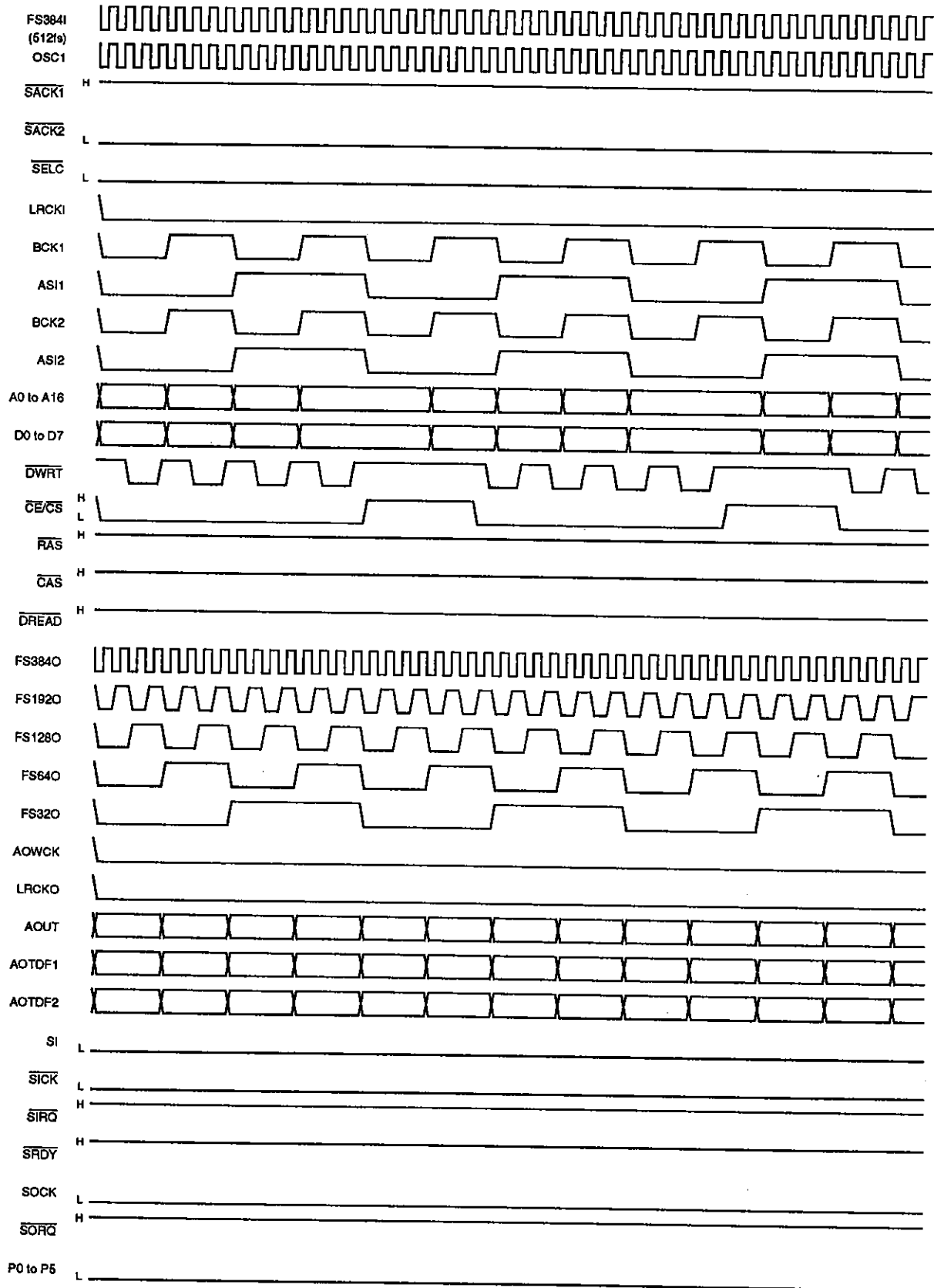


Figure 1. Measurement conditions for  $I_{DD}$

# LC83015E

The LC83015E has three voltage supply pins (VDD1 to VDD3) and four ground pins (VSS1 to VSS4). The connections between these pins must conduct sufficiently to ensure that there are no voltage differences between each of the voltage supply pins and each of the ground pins when the device is powered-up. Connections similar to those shown in figure 2 should be used.

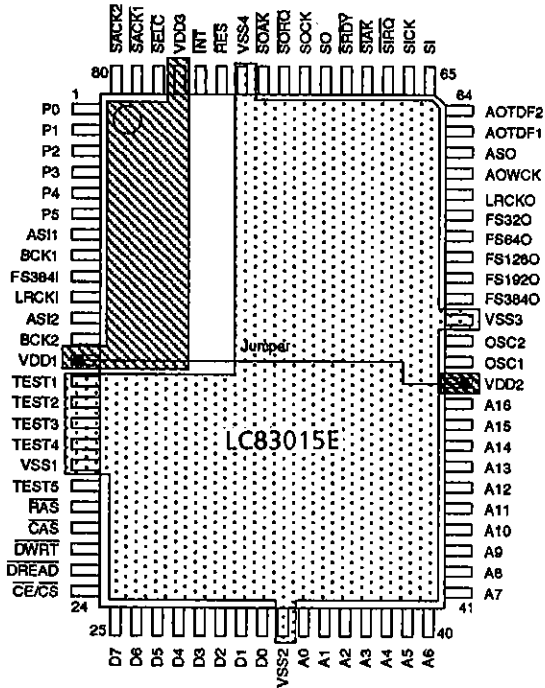


Figure 2. Voltage supply and ground connection template

Figure 3 shows the connection of a crystal oscillator to the LC83015E. Table 1 shows oscillator frequencies and capacitances for a Nippon Denpa Kogyo NR-18 crystal oscillator.

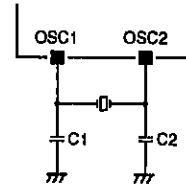


Figure 3. Crystal oscillator connection

Table 1. Oscillator frequency selection

C1, C2 (pF)	Oscillator frequency (MHz)
18	12.288
12	16.9344
10	18.432
12	16.834
8	22.5792
6	24.576

## LC83015E Development Environment

The following software tools are available.

- LC83015.EXE assembler
- S83015.EXE debugger and simulator
- STI.EXE ROM sorting software for microprocessor
- STO.EXE ROM sorting software for external ROM

The following hardware tools are intended for use with the LC83015E.

- IBM PC/AT or AX personal computer
- In-Circuit Emulator (ICE) comprising
  - ICE83015
  - POD83
  - IC149-080-021-S5
  - E83015.EXE software
- Simple model evaluation board comprising
  - PRBD15
  - D2SP.EXE software

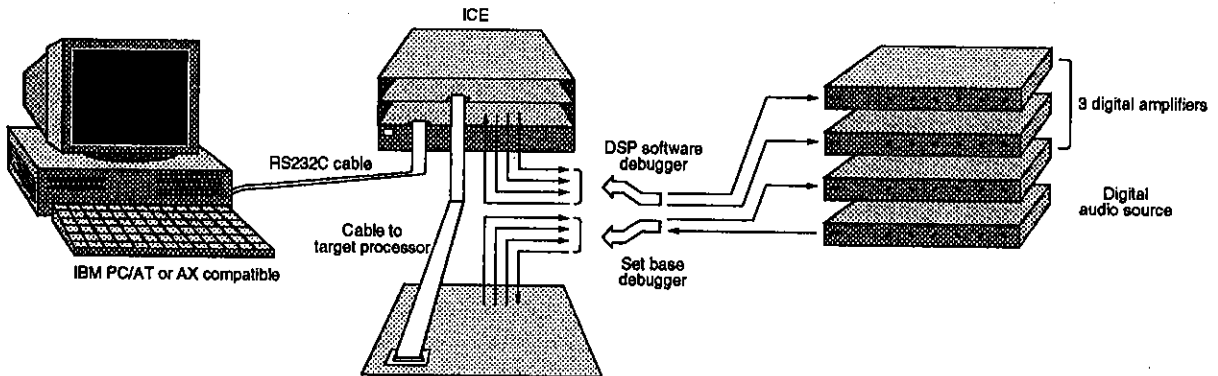


Figure 4. ICE configuration

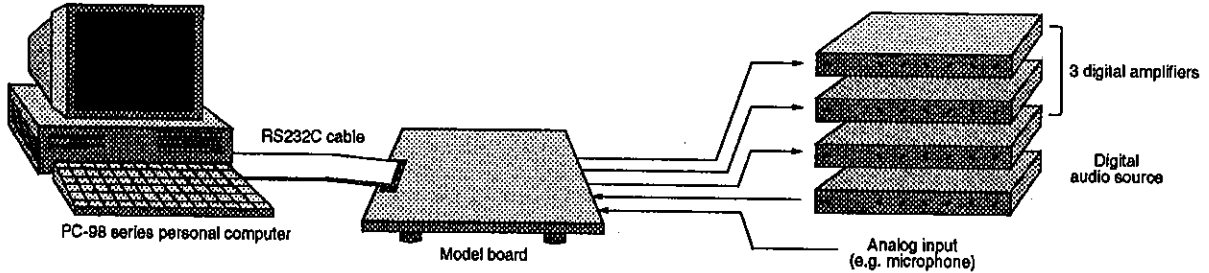
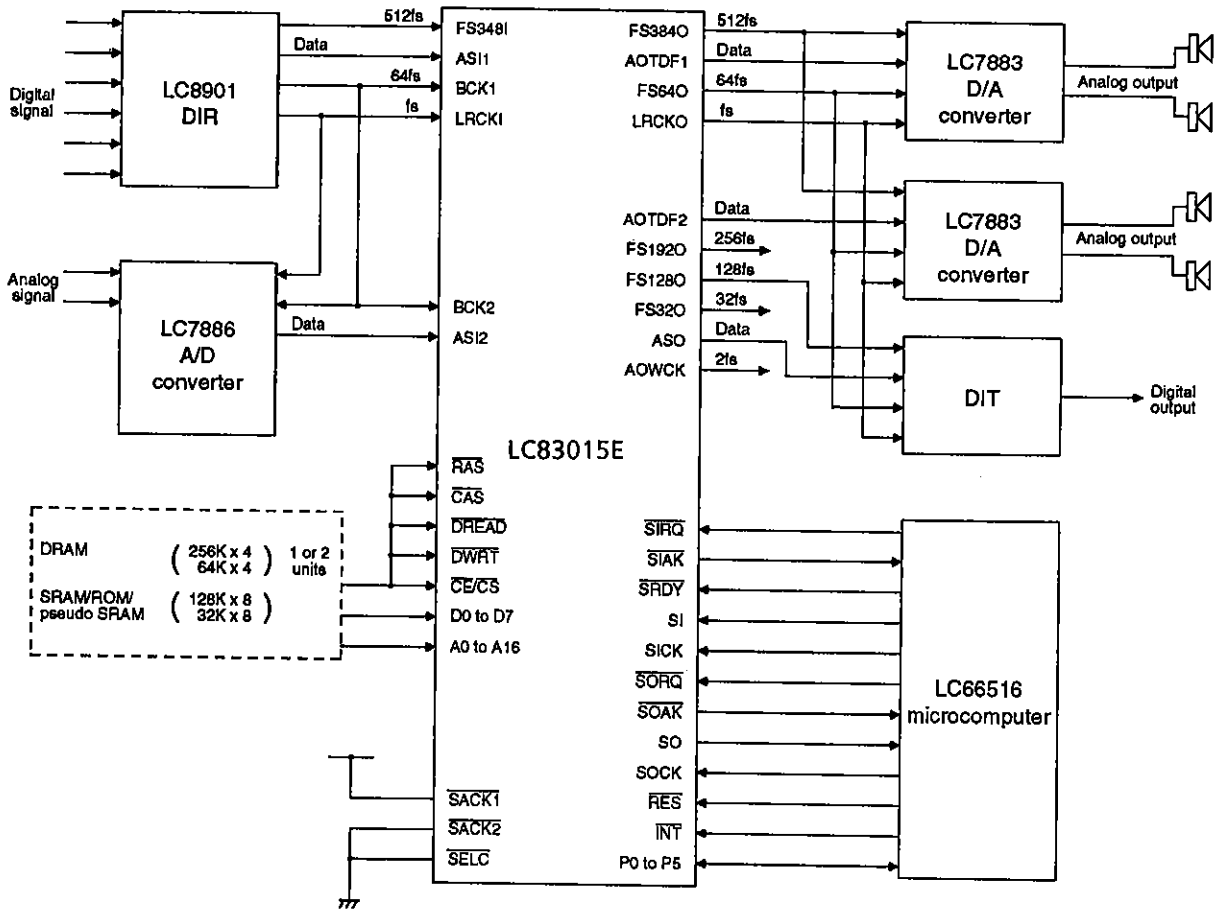


Figure 5. Model board configuration

APPLICATION EXAMPLE



Note

The LC83015E is in external synchronization mode in this application.

■ No products described or contained herein are intended for use in surgical implants, life-support systems, aerospace equipment, nuclear power control systems, vehicles, disaster/crime-prevention equipment and the like, the failure of which may directly or indirectly cause injury, death or property loss.

■ Anyone purchasing any products described or contained herein for an above-mentioned use shall:

- ① Accept full responsibility and indemnify and defend SANYO ELECTRIC CO., LTD., its affiliates, subsidiaries and distributors and all their officers and employees, jointly and severally, against any and all claims and litigation and all damages, cost and expenses associated with such use;
- ② Not impose any responsibility for any fault or negligence which may be cited in any such claim or litigation on SANYO ELECTRIC CO., LTD., its affiliates, subsidiaries and distributors or any of their officers and employees jointly or severally.

■ Information (including circuit diagrams and circuit parameters) herein is for example only; it is not guaranteed for volume production. SANYO believes information herein is accurate and reliable, but no guarantees are made or implied regarding its use or any infringements of intellectual property rights or other rights of third parties.