

Specifications

Maximum Ratings at Ta = 25°C

Parameter	Symbol	Conditions	Ratings	Unit
Input voltage	V _{CC} max		14	V
AC input voltage	AC max		2	V
Allowable power dissipation	Pd max	Independent IC	2.3	W
Operating temperature	Topr		-20 to +80	°C
Storage temperature	Tstg		-55 to +150	°C

Operating Conditions at Ta = 25°C

Parameter	Symbol	Conditions	Ratings	Unit
Input voltage	V _{CC}		6.25 to 12	V
Reset circuit input voltage	V _{B.BAK}		1.4 to 3.5	V
PH5 output current	I _{PH5}		0 to 1000	mA
B.BAK output current	I _{B.BAK}		0 to 60	mA
ANA5 output current	I _{ANA5}		0 to 100	mA
SYS3.3 output current	I _{SYS3.3}		0 to 150	mA
S.RESET sink current	I _{SINKS}		0 to 0.2	mA
P.DOWN sink current	I _{SINKP}		0 to 1	mA
AC input current	I _{AC}		0 to 1	mA

Electrical Characteristics at Ta = 25°C

Parameter	Symbol	Conditions	Ratings			Unit
			min	typ	max	
[PH5 Regulator Block] V _{CC} = 10 V, I _{PH5} = 1000 mA						
Output voltage	V _O PH5		4.75	5	5.25	V
Dropout voltage	V _{DROP} PH5			0.5	1	V
Line regulation	ΔV _{OLN} PH5	V _{CC} = 6.25 to 12 V			200	mV
Load regulation	ΔV _{OLD} PH5	I _{PH5} = 5 to 1000 mA			200	mV
Peak output current	I _{OP} PH5		1000	1400		mA
Output shorted current	I _{OSC} PH5			400	1000	mA
Current drain	I _Q PH5			70	112	mA
[SYS3.3 Regulator Block] V _{CC} = 10 V, I _{SYS3.3} = 150 mA						
Output voltage	V _O SYS3.3		3.13	3.3	3.47	V
Dropout voltage	V _{DROP} SYS3.3			2	3.5	V
Line regulation	ΔV _{OLN} SYS3.3	V _{CC} = 6.25 to 12 V			200	mV
Load regulation	ΔV _{OLD} SYS3.3	I _{SYS3.3} = 5 to 150 mA			200	mV
Peak output current	I _{OP} SYS3.3		150	210		mA
Output shorted current	I _{OSC} SYS3.3			200	450	mA
Current drain	I _Q SYS3.3			17.5	28	mA
[ANA5 Regulator Block] V _{CC} = 10 V, I _{ANA5} = 1000 mA						
Output voltage	V _O ANA5		4.75	5	5.25	V
Dropout voltage	V _{DROP} ANA5			0.5	1	V
Line regulation	ΔV _{OLN} ANA5	V _{CC} = 6.25 to 12 V			200	mV
Load regulation	ΔV _{OLD} ANA5	I _{ANA5} = 5 to 100 mA			200	mV
Peak output current	I _{OP} ANA5		100	140		mA
Output shorted current	I _{OSC} ANA5			40	100	mA
Current drain	I _Q ANA5			17.5	28	mA
Output noise voltage	V _{NO} ANA	10 Hz ≤ f ≤ 100 kHz		120		μV

Continued on next page.

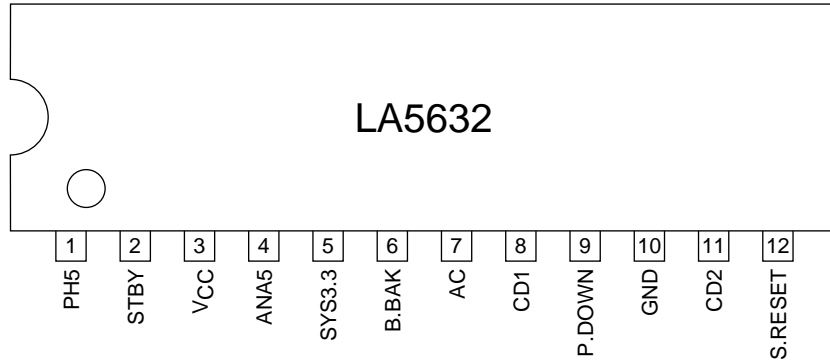
LA5632

Continued from preceding page.

Parameter	Symbol	Conditions	Ratings			Unit
			min	typ	max	
[B.BAK Regulator Block] $V_{CC} = 10\text{ V}$, $I_{BAK} = 60\text{ mA}$						
Output voltage	V_O BAK		3.13	3.3	3.47	V
Dropout voltage	V_{DROP} BAK			2	2.5	V
Line regulation	ΔV_{OLN} BAK	$V_{CC} = 6.25\text{ to }12\text{ V}$			200	mV
Load regulation	ΔV_{OLD} BAK	$I_{BAK} = 5\text{ to }60\text{ mA}$			200	mV
Peak output current	I_{OP} BAK		60	84		mA
Output shorted current	I_{OSC} BAK			60	180	mA
Current drain	I_Q BAK			15	24	mA
[P.DOWN Detection Circuit] $V_{CC} = 10\text{ V}$						
Threshold voltage	V_{TH} P.DOWN		3.0	3.16	3.32	V
Residual voltage	V_{sat} P.DOWN	With the cd1 pin shorted P.DOWN pin current = 1 mA			200	mV
Delay time	td1	cd1 = 1 μF	75	100	125	ms
[S.RESET Block] $V_{CC} = 0\text{ V}$, B.BAK = 3.3 V						
Threshold voltage1	V_{TH1} S.RESET		2.56	2.7	2.84	V
Threshold voltage2	V_{TH2} S.RESET		1.9	2.0	2.1	V
Reset output undefined voltage	V_{UNS} S.RESET				1.4	
Backup mode current drain	I_{IN1} BAK	B.BAK = 3.1 V		3.5	5	μA
Low-level output current drain	I_{IN2} BAK	B.BAK = 1.8 V		0.36		mA
Residual voltage	V_{sat} S.RESET	With the cd2 pin shorted S.RESET pin current = 0.2 mA			200	mV
Delay time	td2	cd2 = 1 μF	75	100	125	ms
[AC Detection Circuit] $V_{CC} = 10\text{ V}$						
Threshold voltage	V_{TH} AC		0.5	0.7	0.9	V
[STBY Detection Circuit] $V_{CC} = 10\text{ V}$						
Threshold voltage	V_{TH} STBY		1.3	1.8	2.3	V

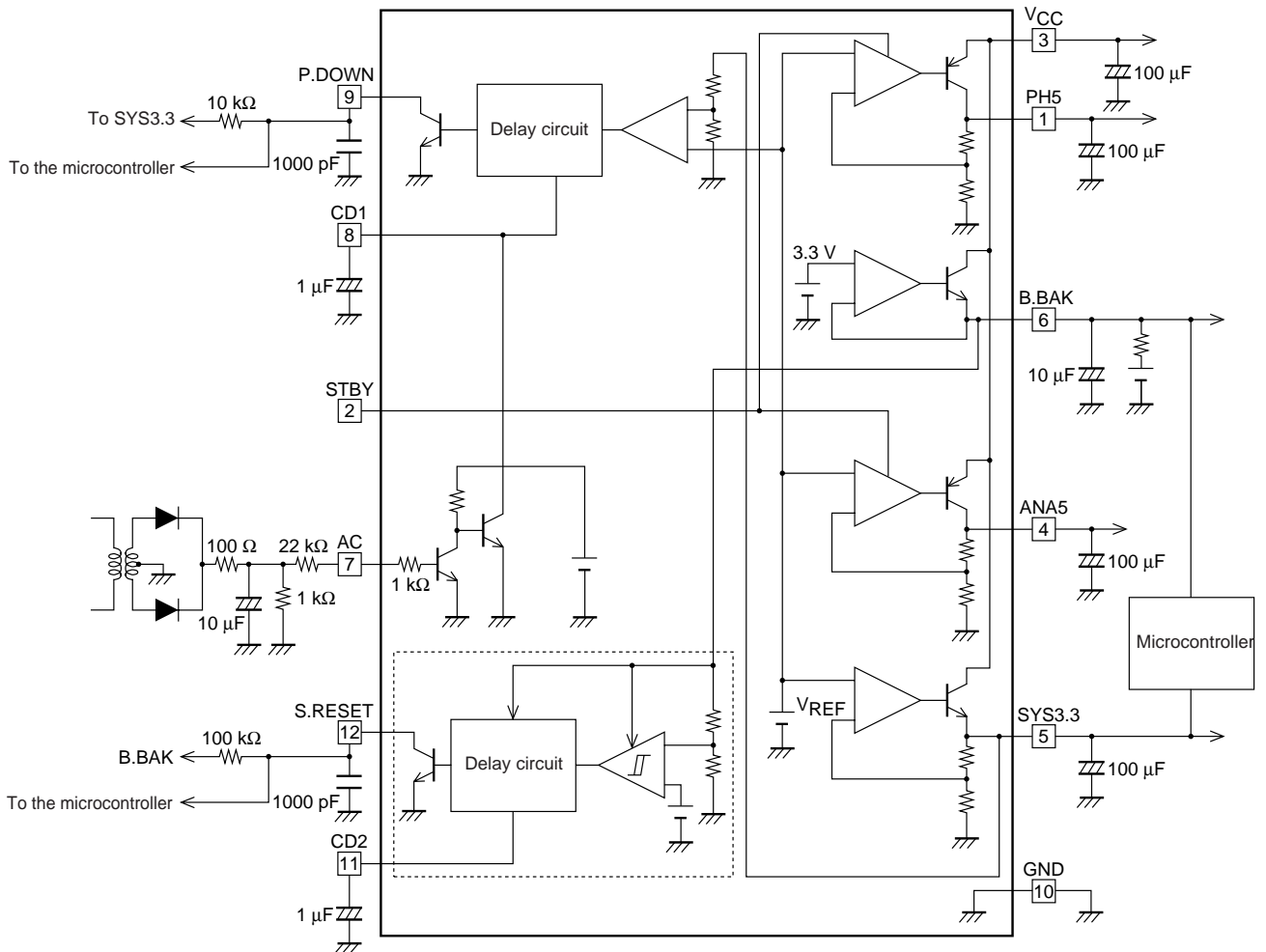
LA5632

Pin Assignment



A11324

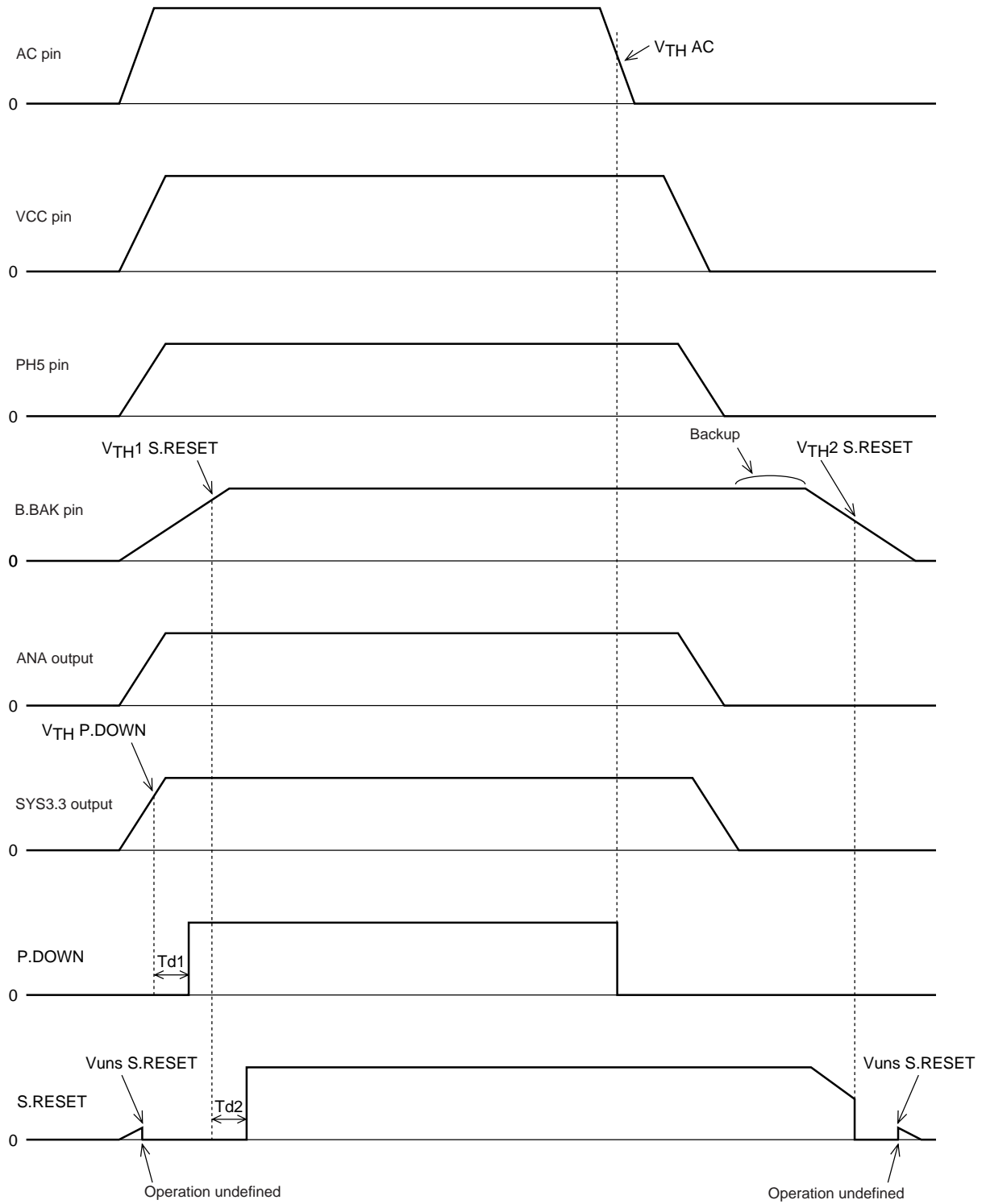
Block Diagram



A11325

Note: Use capacitors with low capacitance temperature coefficients for all capacitors.

Timing Chart



A11326

Note: The S.RESET output has an undefined operating state, so care is required in application design.

- Specifications of any and all SANYO products described or contained herein stipulate the performance, characteristics, and functions of the described products in the independent state, and are not guarantees of the performance, characteristics, and functions of the described products as mounted in the customer's products or equipment. To verify symptoms and states that cannot be evaluated in an independent device, the customer should always evaluate and test devices mounted in the customer's products or equipment.
- SANYO Electric Co., Ltd. strives to supply high-quality high-reliability products. However, any and all semiconductor products fail with some probability. It is possible that these probabilistic failures could give rise to accidents or events that could endanger human lives, that could give rise to smoke or fire, or that could cause damage to other property. When designing equipment, adopt safety measures so that these kinds of accidents or events cannot occur. Such measures include but are not limited to protective circuits and error prevention circuits for safe design, redundant design, and structural design.
- In the event that any or all SANYO products (including technical data, services) described or contained herein are controlled under any of applicable local export control laws and regulations, such products must not be exported without obtaining the export license from the authorities concerned in accordance with the above law.
- No part of this publication may be reproduced or transmitted in any form or by any means, electronic or mechanical, including photocopying and recording, or any information storage or retrieval system, or otherwise, without the prior written permission of SANYO Electric Co., Ltd.
- Any and all information described or contained herein are subject to change without notice due to product/technology improvement, etc. When designing equipment, refer to the "Delivery Specification" for the SANYO product that you intend to use.
- Information (including circuit diagrams and circuit parameters) herein is for example only; it is not guaranteed for volume production. SANYO believes information herein is accurate and reliable, but no guarantees are made or implied regarding its use or any infringements of intellectual property rights or other rights of third parties.

This catalog provides information as of February, 2000. Specifications and information herein are subject to change without notice.