

SANYO

No. 4063

LA5603**Multi-function,
Multiple Voltage Power Supply****OVERVIEW**

The LA5603 is a multi-function, low dropout voltage, multiple voltage power supply for use in microcomputer controlled audio equipment such as CD players and minicomponent stereo systems.

The LA5603 features a 5.6 V, 0.5 A supply, a 7.5 V, 1.0 A supply and a -7.5 V, -1.0 A supply each with an on/off switch, a 4.8 V ($I_{OA2} = 0.1$ A, $I_{OA1} = 0$) supply with a reverse current prevention diode and a 5.6 V ($I_{OA1} = 0.1$ A, $I_{OA2} = 0$) supply enabling it to power both analog and digital components.

The LA5603 incorporates reset, mute and power-on functions for generating signals for the component(s) being powered and an adjustable startup delay function for controlling the sequence in which system components are powered up.

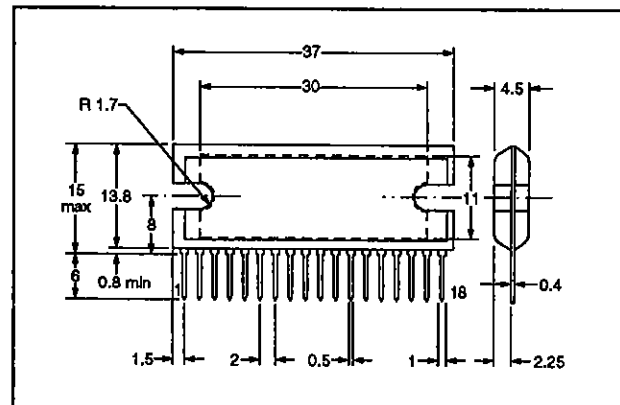
The LA5603 operates from a ± 8.5 to ± 16 V dual supply and is available in 18-pin SIPs.

FEATURES

- Low dropout voltage power supply
- 5.6 V, 0.5 A supply with on/off switch
- 7.5 V, 1.0 A and -7.5 V, -1.0 A supplies with on/off switches
- 4.8 V ($I_{OA2} = 0.1$ A, $I_{OA1} = 0$) supply with diode to prevent reverse currents
- 5.6 V ($I_{OA1} = 0.1$ A, $I_{OA2} = 0$) supply
- Reset function
- Mute function
- Auto power-on function
- Powers both analog and digital components
- ± 8.5 to ± 16 V dual supply
- 18-pin SIP

PACKAGE DIMENSIONS

Unit: mm

3109-SIP18H

SPECIFICATIONS

Absolute Maximum Ratings

Parameter	Symbol	Rating	Unit
Supply voltage	V_{CC}	16	V
	V_{EE}	-16	
QUICK IN input voltage	$V_{QUICK\ IN}$	16	V
Power dissipation (with infinite heatsink)	P_D	4.3 (15)	W
Operating temperature range	T_{opr}	-20 to 85	°C
Storage temperature range	T_{stg}	-55 to 150	°C

Recommended Operating Conditions

$T_a = 25\text{ °C}$

Parameter	Symbol	Rating	Unit
Supply voltage	V_{CC}	8.5	V
	V_{EE}	-8.5	
Supply voltage range	V_{CC}	8.5 to 16	V
	V_{EE}	-16 to -8.5	
Output current 1	I_{O1}	0 to 500	mA
Output current 2	I_{O2}	0 to 1.0	A
Output current 3	I_{O3}	-1.0 to 0	A
MUTE output current	I_{MUTE}	0 to 10	mA
RES LOW-level output sink current	I_{OHL}	0 to 2	mA
RES HIGH-level output source current	I_{ORH}	0 to 200	μA
Auxiliary power total supply output current ($I_{OA1} + I_{OA2}$)	I_{OA1}, I_{OA2}	0 to 100	mA

Electrical Characteristics

Main power supply

$V_{CC}/V_{EE} = \pm 8.5\text{ V}$, $T_a = 25\text{ °C}$, $T_j = 25\text{ °C}$, $V_{OA1} = 5.6\text{ V}$, $V_{OA2} = 4.8\text{ V}$, $I_{OA1} = 100\text{ mA}$ unless otherwise noted

Parameter	Symbol	Condition	Rating			Unit
			min	typ	max	
Output voltage	V_{OA1}	$I_{OA2} = 0$ ($I_{OA1} = 100\text{ mA}$)	5.2	5.6	5.9	V
	V_{OA2}	$I_{OA2} = 100\text{ mA}$ ($I_{OA1} = 0$)	4.2	4.8	5.2	
Dropout voltage	V_{DROP}		-	0.6	1.0	V
Line regulation	$\Delta V_{OA1\ LN}$	$V_{CC} = 7\text{ to }12\text{ V}$, $I_{OA1} = 50\text{ mA}$	-	10	80	mV
Load regulation	$\Delta V_{OA1\ LD}$	$I_{OA1} = 1\text{ to }100\text{ mA}$	-	20	100	mV
Peak output current	I_{OP}		100	200	-	mA
Output short-circuit current	I_{OSC}		-	10	-	mA
Output leakage current	$I_{OA\ LEAK}$	$V_{CC} = 0\text{ V}$, $V_{OA2} = 6\text{ V}$	-	-	2	μA

LA5603

Parameter	Symbol	Condition	Rating			Unit
			min	typ	max	
Current consumption with negative power supply	I _{OM1}	I _{O1} , I _{O2} , I _{O3} , I _{OA1} and I _{MUTE} = 0 A	-	-3.2	-9.6	mA
	I _{OM2}	I _{O1} , I _{O2} , I _{OA1} and I _{MUTE} = 0 A, I _{O3} = -500 mA	-	-6.3	-19	
Current consumption with positive power supply	I _{OP1}	I _{O1} , I _{O2} , I _{O3} , I _{OA1} and I _{MUTE} = 0 A	-	6.5	19.5	mA
	I _{OP2}	I _{O1} = 200 mA, I _{O2} = 500 mA, I _{O3} = 0 mA, I _{OA1} = 100 mA, I _{MUTE} = 5 mA	-	26	78	

Reset

V_{CC}/V_{EE} = ±8.5 V, T_j = 25 °C, T_a = 25 °C

Parameter	Symbol	Condition	Rating			Unit
			min	typ	max	
LOW-level output voltage	V _{ORL}	I _{ORL} = 2 mA, C _d grounded	-	100	200	mV
HIGH-level output voltage	V _{ORH}	I _{ORH} = 200 μA	4.47	4.97	5.47	V
Output voltage threshold	V _{RT}	I _{OA1} = 5 mA, V _{OA1} detection voltage LOW	3.7	3.9	4.1	V
Hysteresis voltage	V _{hys}	I _{OA1} = 5 mA	-	100	200	mV
Output delay time	t _d	C _d = 1 μF	240	300	360	ms

5.6 V power supply

V_{CC}/V_{EE} = ±8.5 V, T_j = 25 °C, T_a = 25 °C, I_O = 200 mA unless otherwise noted

Parameter	Symbol	Condition	Rating			Unit
			min	typ	max	
Output voltage	V _{O1}		5.1	5.6	5.9	V
Dropout voltage	V _{DROP}		-	0.6	1.0	V
Line regulation	ΔV _{OLN}	V _{CC} = 8.5 to 16 V	-	20	100	mV
		V _{CC} = 9.5 to 16 V	-	20	100	
Load regulation	ΔV _{OLD}	I _O = 5 to 500 mA	-	50	150	mV
		I _O = 5 to 100 mA	-	20	100	
Peak output current	I _{OP}		500	750	-	mA
Output short-circuit current	I _{OSC}		-	80	-	mA
Output noise voltage	V _{NO}	f = 10 Hz to 100 kHz	-	70	-	μV
Output voltage temperature coefficient	ΔV _O /ΔT _a	T _j = 25 to 85 °C	-	±0.7	-	mV/°C
Ripple rejection ratio	F _{rej}	f = 120 Hz, V _{CC} = 8.5 to 16 V	-	74	-	dB
EN LOW-level input voltage	V _{ENL}	Main power source OFF	0	-	0.3	V

7.5 V power supply
 $V_{CC}/V_{EE} = \pm 8.5 \text{ V}$, $T_j = 25 \text{ }^\circ\text{C}$, $T_a = 25 \text{ }^\circ\text{C}$, $I_o = 500 \text{ mA}$, $C_o = 100 \text{ } \mu\text{F}$ unless otherwise noted

Parameter	Symbol	Condition	Rating			Unit
			min	typ	max	
Output voltage	V_{O2}		7.1	7.5	7.8	V
Dropout voltage	V_{DROP}		-	0.6	1.0	V
		$I_o = 300 \text{ mA}$	-	0.4	0.8	
Line regulation	ΔV_{OLN}	$V_{CC} = 8.5 \text{ to } 16 \text{ V}$	-	20	100	mV
Load regulation	ΔV_{OLD}	$I_o = 5 \text{ mA to } 1 \text{ A}$	-	80	200	mV
Peak output current	I_{OP}	$V_{CC}/V_{EE} = \pm 12 \text{ V}$	1.0	1.5	-	A
Output short-circuit current	I_{OSC}		-	0.1	-	A
Output noise voltage	V_{NO}	$f = 10 \text{ Hz to } 100 \text{ kHz}$	-	70	-	μV
Output voltage temperature coefficient	$\Delta V_o/\Delta T_a$	$T_j = 25 \text{ to } 85 \text{ }^\circ\text{C}$	-	± 0.5	-	mV/ $^\circ\text{C}$
Ripple rejection ratio	R_{rej}	$f = 120 \text{ Hz}$, $V_{CC} = 8.5 \text{ to } 16 \text{ V}$	-	60	-	dB

-7.5 V power supply
 $V_{CC}/V_{EE} = \pm 8.5 \text{ V}$, $T_j = 25 \text{ }^\circ\text{C}$, $T_a = 25 \text{ }^\circ\text{C}$, $I_o = -500 \text{ mA}$, $C_o = 100 \text{ } \mu\text{F}$ unless otherwise noted

Parameter	Symbol	Condition	Rating			Unit
			min	typ	max	
Output voltage	V_{O3}		-7.8	-7.5	-7.1	V
Dropout voltage	V_{DROP}		-	0.6	1.0	V
		$I_o = -300 \text{ mA}$	-	0.4	0.8	
Line regulation	ΔV_{OLN}	$V_{EE} = -16 \text{ to } -8.5 \text{ V}$	-	200	300	mV
Load regulation	ΔV_{OLD}	$I_o = -1 \text{ A to } -5 \text{ mA}$	-	80	200	mV
Peak output current	I_{OP}	$V_{CC}/V_{EE} = \pm 12 \text{ V}$	-	-1.5	-1.0	A
Output short-circuit current	I_{OSC}		-	-0.3	-	A
Output noise voltage	V_{NO}	$f = 10 \text{ Hz to } 100 \text{ kHz}$	-	70	-	μV
Output voltage temperature coefficient	$\Delta V_o/\Delta T_a$	$T_j = 25 \text{ to } 85 \text{ }^\circ\text{C}$	-	± 0.5	-	mV/ $^\circ\text{C}$
Ripple rejection ratio	R_{rej}	$f = 120 \text{ Hz}$, $V_{EE} = -16 \text{ to } -8.5 \text{ V}$	-	60	-	dB

5.0 V power supply with mute
 $V_{CC}/V_{EE} = \pm 8.5 \text{ V}$, $T_j = 25 \text{ }^\circ\text{C}$, $T_a = 25 \text{ }^\circ\text{C}$, $I_o = 5 \text{ mA}$

Parameter	Symbol	Condition	Rating			Unit
			min	typ	max	
MUTE OFF output voltage	$V_{MUTE\ OFF}$	$V_{QUICK\ IN} = 5.5 \text{ V}$	-	0.2	0.3	V
MUTE ON output voltage	$V_{MUTE\ ON}$		4.6	5.0	5.4	V
QUICK IN LOW-level input voltage	$V_{QUICK\ IN\ L}$		-	-	5.5	V
QUICK IN HIGH-level input voltage	$V_{QUICK\ IN\ H}$		7.5	-	V_{CC}	V
QUICK IN HIGH-level current	$I_{QUICK\ IN\ H}$	$V_{QUICK\ IN} = 7.5 \text{ V}$	-	240	480	μA

DESIGN NOTES

When the 5.6 (V_{01}), 7.5 and -7.5 V outputs are ON, EN is high impedance.

When QUICK IN is HIGH, mute mode is ON. When QUICK IN is LOW, mute mode is OFF.

The output capacitors for V_{01} , V_{0A1} , and V_{0A2} should be $47 \mu\text{F}$ or greater. The output capacitors for V_{02} and V_{03}

should be $100 \mu\text{F}$ or greater. The output capacitors and C_d , the startup delay capacitor, should have good temperature stability to prevent oscillations at low temperatures.

Capacitors CN1, CN2, CN3 and CNA suppress noise and improve ripple rejection.

- No products described or contained herein are intended for use in surgical implants, life-support systems, aerospace equipment, nuclear power control systems, vehicles, disaster/crime-prevention equipment and the like, the failure of which may directly or indirectly cause injury, death or property loss.
- Anyone purchasing any products described or contained herein for an above-mentioned use shall:
 - ① Accept full responsibility and indemnify and defend SANYO ELECTRIC CO., LTD., its affiliates, subsidiaries and distributors and all their officers and employees, jointly and severally, against any and all claims and litigation and all damages, cost and expenses associated with such use:
 - ② Not impose any responsibility for any fault or negligence which may be cited in any such claim or litigation on SANYO ELECTRIC CO., LTD., its affiliates, subsidiaries and distributors or any of their officers and employees jointly or severally.
- Information (including circuit diagrams and circuit parameters) herein is for example only; it is not guaranteed for volume production. SANYO believes information herein is accurate and reliable, but no guarantees are made or implied regarding its use or any infringements of intellectual property rights or other rights of third parties.