

FKBL400 - FKBL410

PRV : 50 - 1000 Volts
Io : 2.0 Amperes

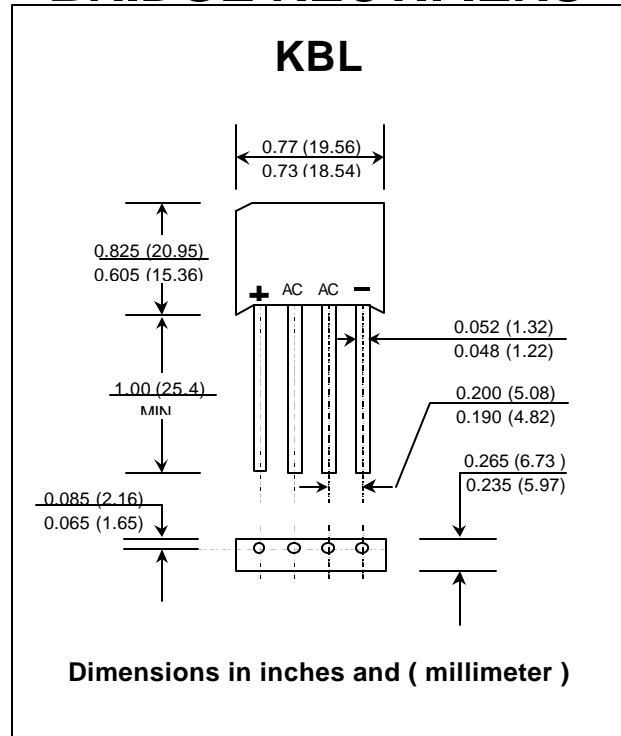
FEATURES :

- * High case dielectric strength of 2000 V_{DC}
- * High surge current capability
- * High reliability
- * Low reverse current
- * Low forward voltage drop
- * Fast switching for high efficiency
- * Ideal for printed circuit board

MECHANICAL DATA :

- * Case : Reliable low cost construction utilizing molded plastic technique
- * Epoxy : UL94V-O rate flame retardant
- * Lead : Axial lead solderable per MIL - STD 202 , Method 208 guaranteed
- * Polarity : Polarity symbols marked on case
- * Mounting position : Any
- * Weight : 5.15 grams

FAST RECOVERY BRIDGE RECTIFIERS



MAXIMUM RATINGS AND ELECTRICAL CHARACTERISTICS

Rating at 25 °C ambient temperature unless otherwise specified.
 Single phase, half wave, 60 Hz, resistive or inductive load.
 For capacitive load, derate current by 20%.

RATING	SYMBOL	FKBL	FKBL	FKBL	FKBL	FKBL	FKBL	FKBL	UNIT
		400	401	402	404	406	408	410	
Maximum Recurrent Peak Reverse Voltage	V _{RRM}	50	100	200	400	600	800	1000	Volts
Maximum RMS Voltage	V _{RMS}	35	70	140	280	420	560	700	Volts
Maximum DC Blocking Voltage	V _{DC}	50	100	200	400	600	800	1000	Volts
Maximum Average Forward Current T _c = 50 °C	I _{F(AV)}	4.0							Amps.
Peak Forward Surge Current Single half sine wave Superimposed on rated load (JEDEC Method)	I _{FSM}	150							Amps.
Rating for fusing (t < 8.3 ms.)	I ² t	166							A ² S
Maximum Forward Voltage drop per Diode at I _F = 4.0 Amps.	V _F	1.4							Volts
Maximum DC Reverse Current T _a = 25 °C at Rated DC Blocking Voltage T _a = 100 °C	I _R	10							μA
	I _{R(H)}	1.0							mA
Maximum Reverse Recovery Time (Note 1)	T _{rr}	150				250	500		ns
Typical Thermal Resistance per Diode (Note 2)	R _{θJC}	3.3							°C/W
Operating Junction Temperature Range	T _J	- 50 to + 150							°C
Storage Temperature Range	T _{STG}	- 50 to + 150							°C

Notes :

- 1) Measured with I_F = 0.5 Amp., I_R = 1 Amp., I_{rr} = 0.25 Amp.
- 2) Thermal resistance from Junction to case with mounted on a 2.0" X 1.6"x 0.3" (5 cm. x 4 cm. x 0.8cm) Al. Plate.

UPDATE : APRIL 21, 1998

RATING AND CHARACTERISTIC CURVES (FKBL400 - FKBL410)

FIG.1 - REVERSE RECOVERY TIME CHARACTERISTIC AND TEST CIRCUIT DIAGRAM

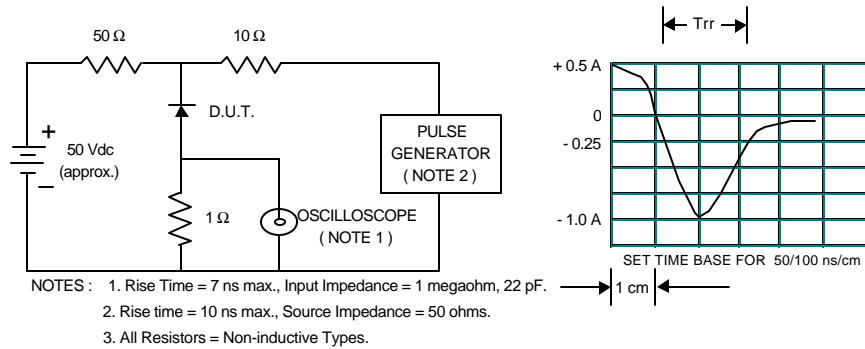


FIG.2 - DERATING CURVE FOR OUTPUT RECTIFIED CURRENT

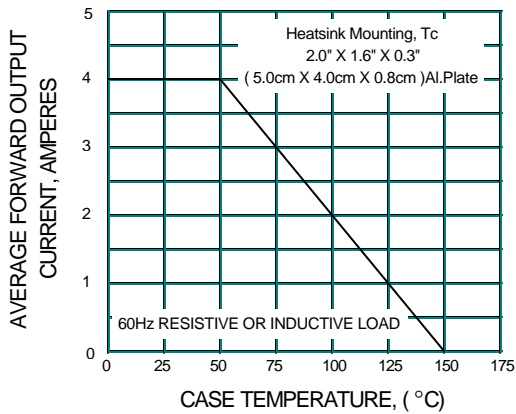


FIG.3 - MAXIMUM NON-REPETITIVE PEAK FORWARD SURGE CURRENT

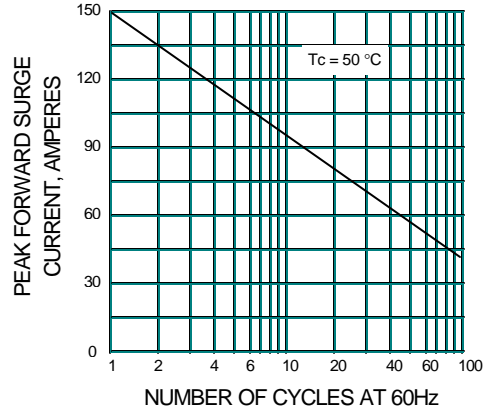


FIG.4 - TYPICAL FORWARD CHARACTERISTICS PER DIODE

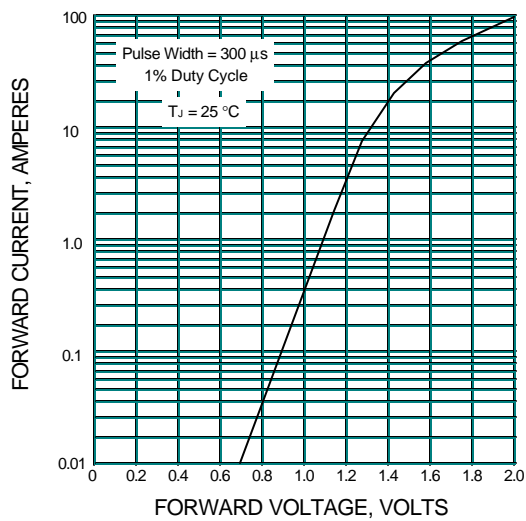


FIG.5 - TYPICAL REVERSE CHARACTERISTICS PER DIODE

