



BUL57 BUL57FP

HIGH VOLTAGE FAST-SWITCHING NPN POWER TRANSISTORS

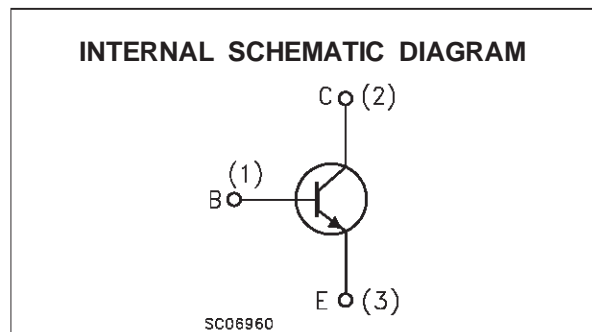
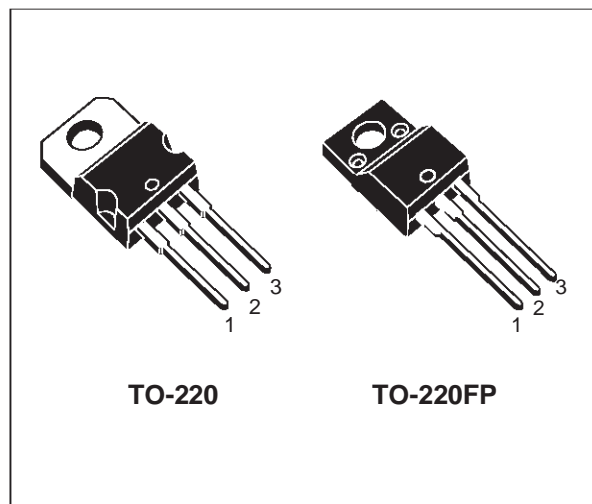
- STMicroelectronics PREFERRED SALESTYPES
- NPN TRANSISTORS
- HIGH VOLTAGE CAPABILITY
- LOW SPREAD OF DYNAMIC PARAMETERS
- MINIMUM LOT-TO-LOT SPREAD FOR RELIABLE OPERATION
- VERY HIGH SWITCHING SPEED
- FULLY CHARACTERIZED AT 125°C
- LARGE RBSOA
- TO-220FP FULLY ISOLATED PACKAGE (U.L. COMPLIANT)

APPLICATIONS:

- ELECTRONIC BALLASTS FOR FLUORESCENT LIGHTING
- SWITCH MODE POWER SUPPLIES

DESCRIPTION

The devices are manufactured using high voltage Multi Epitaxial Planar technology for high switching speeds and medium voltage capability. They use a Cellular Emitter structure with planar edge termination to enhance switching speeds. The devices are designed for use in lighting applications and low cost switch-mode power supplies.



ABSOLUTE MAXIMUM RATINGS

Symbol	Parameter	Value		Unit
		BUL57	BUL57FP	
V_{CES}	Collector-Emitter Voltage ($V_{BE} = 0$)	700		V
V_{CEO}	Collector-Emitter Voltage ($I_B = 0$)	400		V
V_{EBO}	Emitter-Base Voltage ($I_C = 0$)	9		V
I_C	Collector Current	8		A
I_{CM}	Collector Peak Current ($t_p < 5$ ms)	16		A
I_B	Base Current	4		A
I_{BM}	Base Peak Current ($t_p < 5$ ms)	7		A
P_{tot}	Total Dissipation at $T_c = 25$ °C	85	35	W
T_{stg}	Storage Temperature	-65 to 150		°C
T_j	Max. Operating Junction Temperature	150		°C

BUL57 / BUL57FP

THERMAL DATA

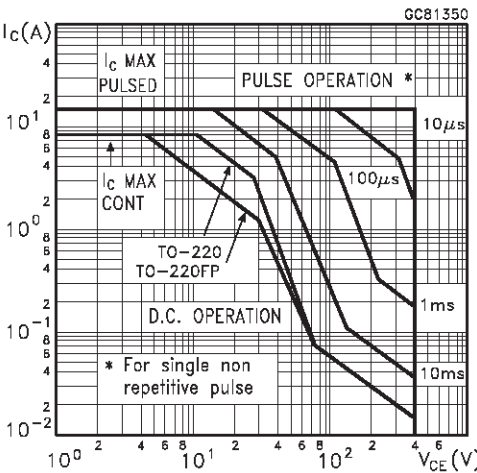
			TO-220	TO-220FP	
R _{thj-case}	Thermal Resistance Junction-Case	Max	1.47	3.5	°C/W
R _{thj-amb}	Thermal Resistance Junction-Ambient	Max	62.5	62.5	°C/W

ELECTRICAL CHARACTERISTICS (T_{case} = 25 °C unless otherwise specified)

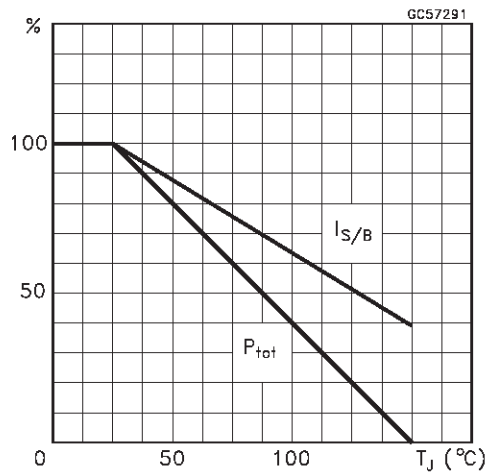
Symbol	Parameter	Test Conditions	Min.	Typ.	Max.	Unit
I _{CEs}	Collector Cut-off Current (V _{BE} = 0)	V _{CE} = 700 V V _{CE} = 700 V T _j = 125 °C			100 500	μA μA
I _{CEO}	Collector Cut-off Current (I _B = 0)	V _{EC} = 400 V			250	μA
V _{CEO(sus)}	Collector-Emitter Sustaining Voltage	I _C = 100 mA L = 25 mH	400			V
V _{EBO}	Emitter-Base Voltage (I _C = 0)	I _E = 10 mA	9			V
V _{CE(sat)*}	Collector-Emitter Saturation Voltage	I _C = 2 A I _B = 0.4 A I _C = 3 A I _B = 0.6 A I _C = 4 A I _B = 0.8 A I _C = 5 A I _B = 1 A I _C = 8 A I _B = 2 A		2	0.65 0.75 1.2 2	V V V V V
V _{BE(sat)*}	Base-Emitter Saturation Voltage	I _C = 2 A I _B = 0.4 A I _C = 5 A I _B = 1 A			1.2 1.6	V V
h _{FE*}	DC Current Gain	I _C = 2 A V _{CE} = 5 V I _C = 4 A V _{CE} = 5 V I _C = 10 mA V _{CE} = 5 V	15 6 8		40	
t _s t _f	INDUCTIVE LOAD Storage Time Fall Time	I _C = 3 A V _{CL} = 250 V I _{B1} = 0.6 A I _{B2} = -1.2 A L = 200 μH		1.8 60	2.6 110	μs ns
t _s t _f	INDUCTIVE LOAD Storage Time Fall Time	I _C = 3 A V _{CL} = 250 V I _{B1} = 0.6 A I _{B2} = -1.2 A L = 200 μH T _j = 125 °C		2.6 110		μs ns
t _s t _f	INDUCTIVE LOAD Storage Time Fall Time	I _C = 3 A I _{B1} = 0.6 A V _{BE(off)} = -5 V R _{BB} = 0 Ω V _{CL} = 250 V L = 200 μH		1 54	1.6 100	μs ns
t _s t _f	INDUCTIVE LOAD Storage Time Fall Time	I _C = 3 A I _{B1} = 0.6 A V _{BE(off)} = -5V R _{BB} = 0 Ω V _{CL} = 250 V L = 200 μH T _j = 125 °C		1.5 90		μs ns
t _s t _f	RESISTIVE LOAD Storage Time Fall Time	V _{CC} = 300 V I _C = 2 A I _{B1} = 0.4 A I _{B2} = -0.4 A T _p = 30 μs	3		4.2 350	ms ns

* Pulsed: Pulse duration = 300 μs, duty cycle 1.5 %

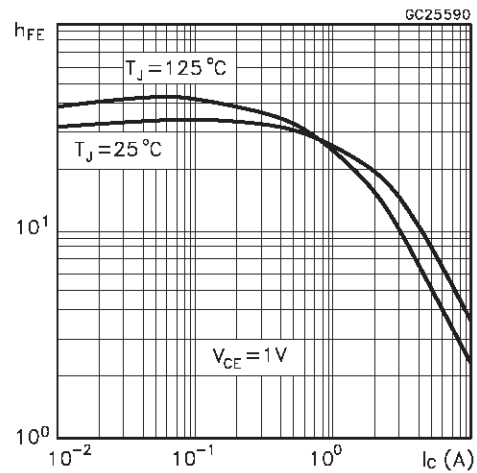
Safe Operating Areas



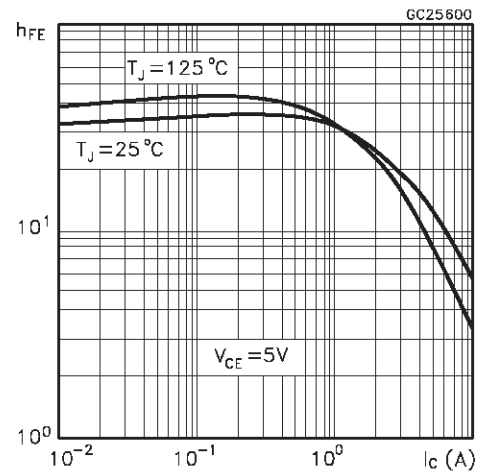
Derating Curve



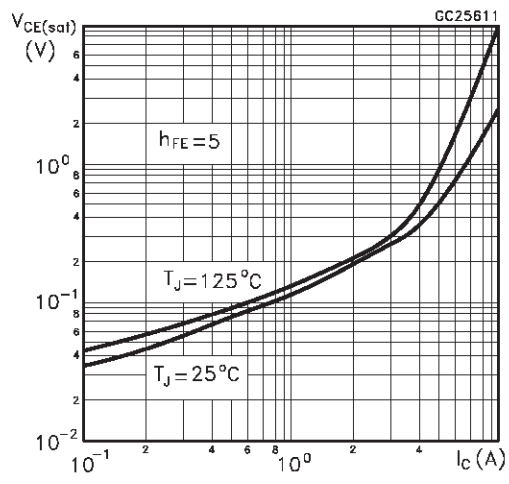
DC Current Gain



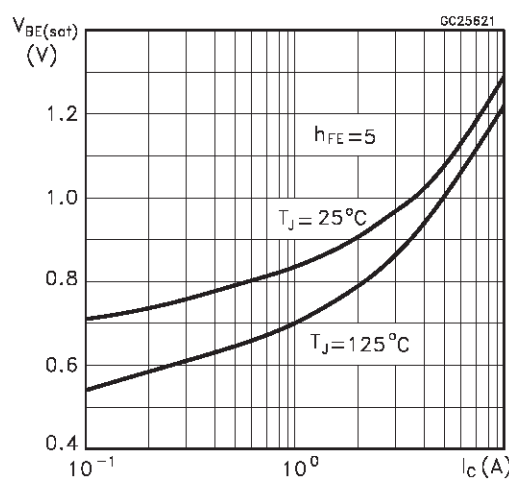
DC Current Gain



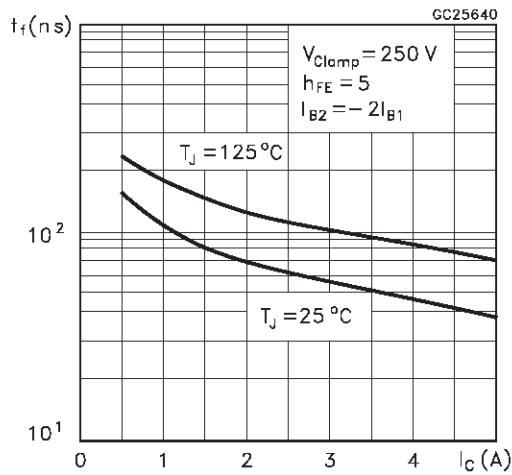
Collector Emitter Saturation Voltage



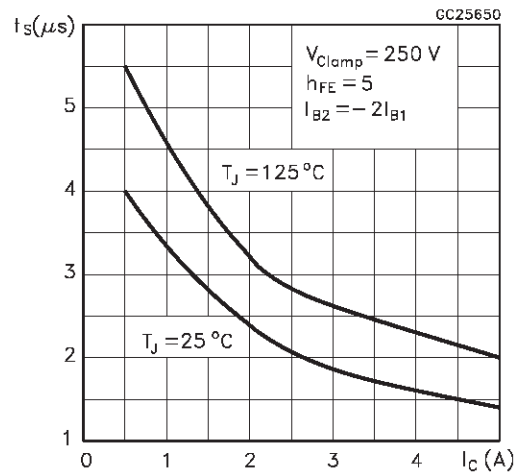
Base Emitter Saturation Voltage



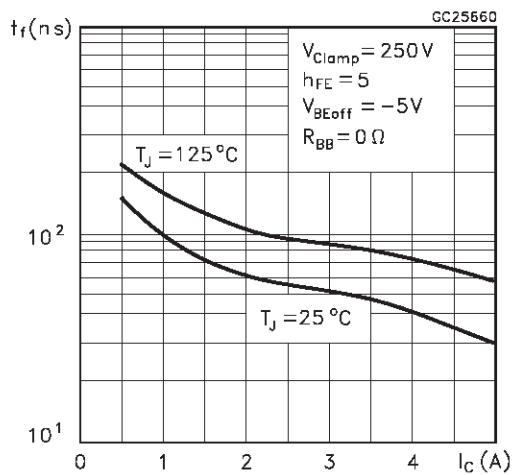
Inductive Fall Time



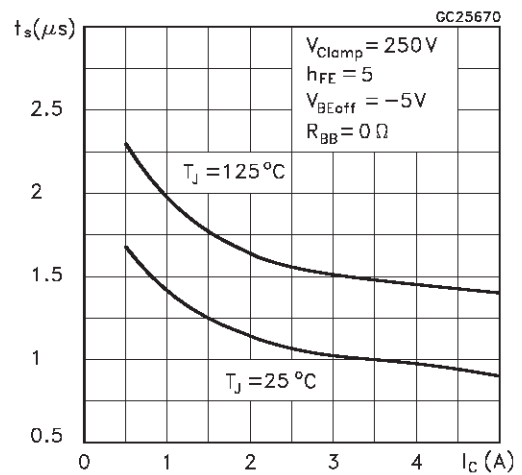
Inductive Storage Time



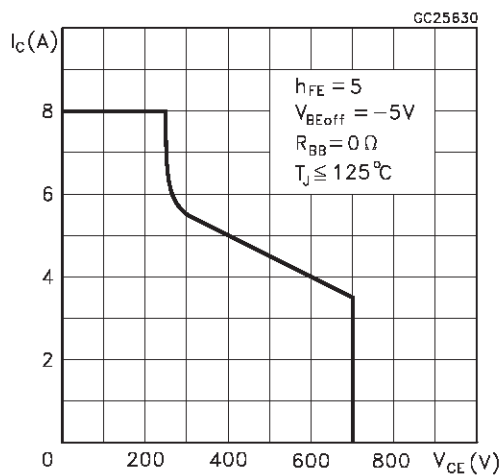
Resistive Fall Time



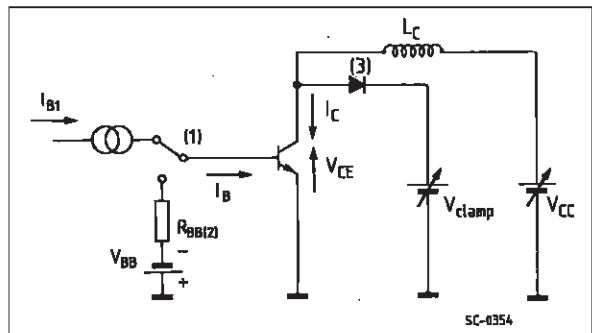
Resistive Load Storage Time



Reverse Biased SOA



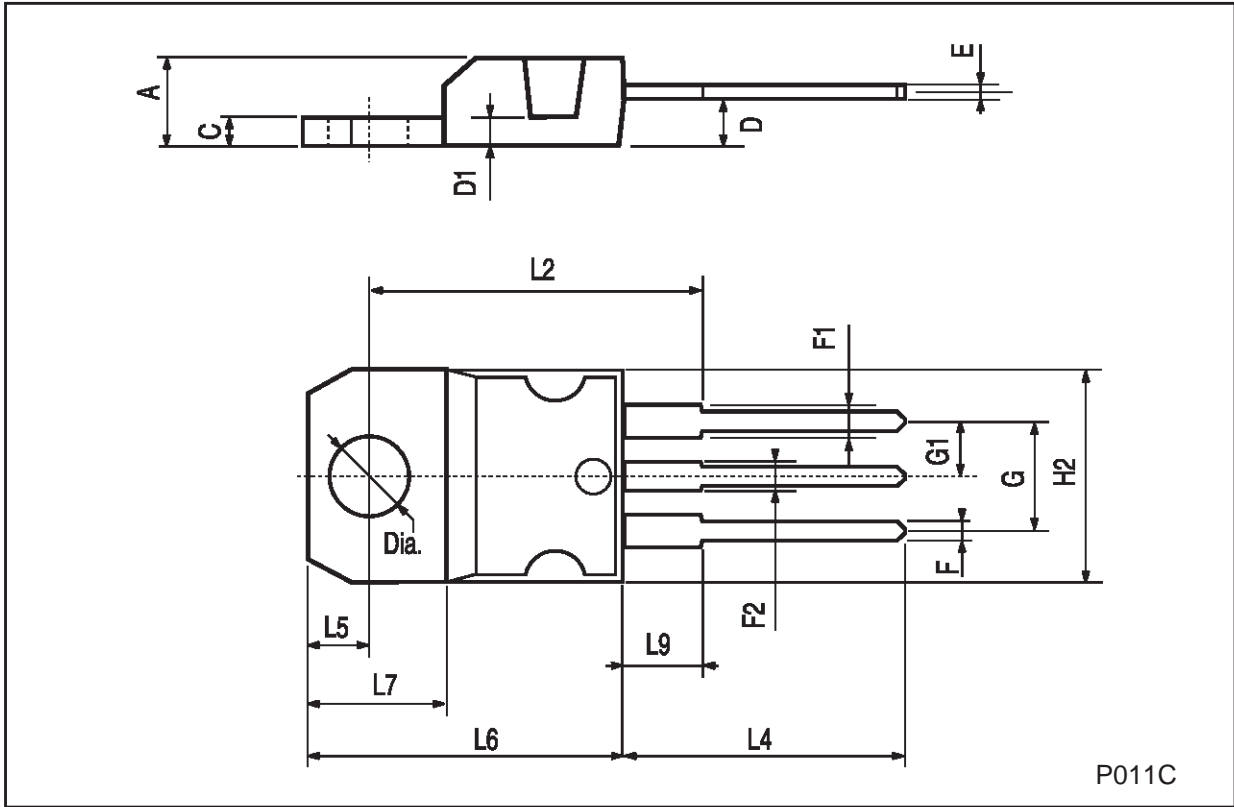
RBSOA and Inductive Load Switching Test Circuit



- 1) Fast electronic switch
- 2) Non-inductive Resistor
- 3) Fast recovery Rectifier

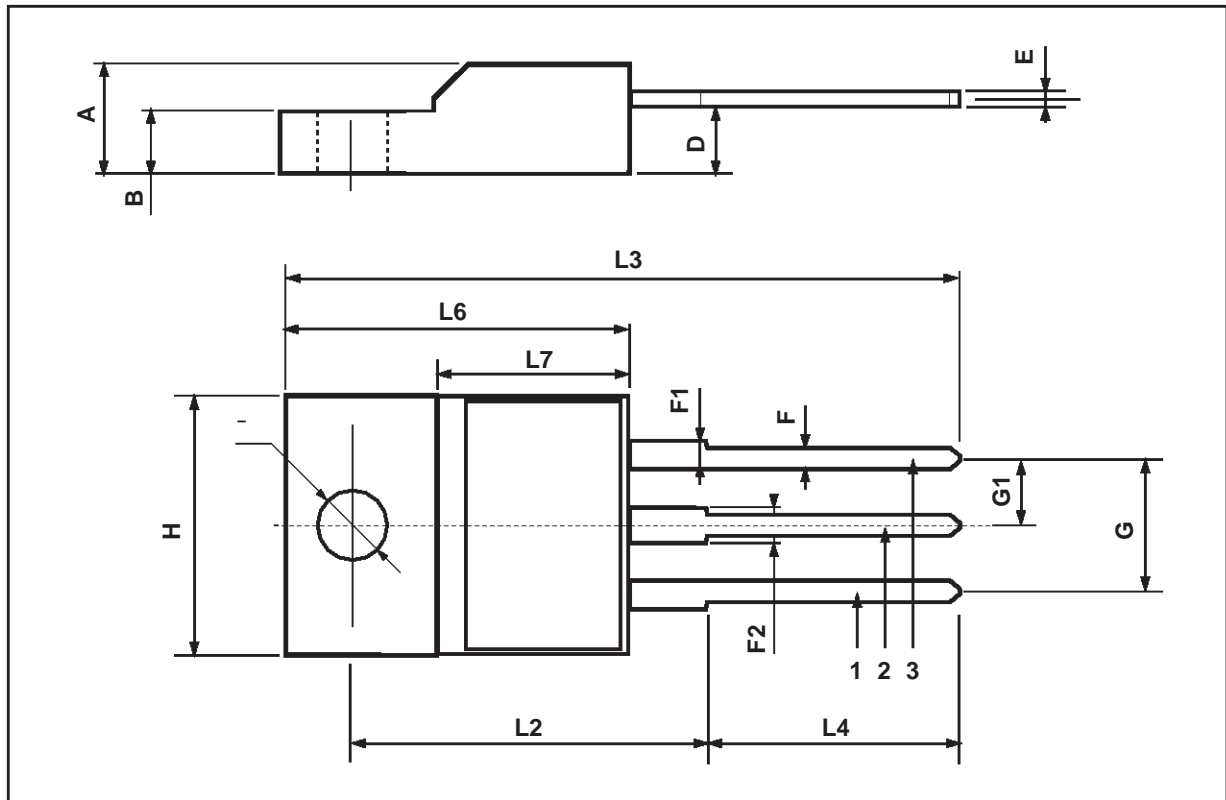
TO-220 MECHANICAL DATA

DIM.	mm			inch		
	MIN.	TYP.	MAX.	MIN.	TYP.	MAX.
A	4.40		4.60	0.173		0.181
C	1.23		1.32	0.048		0.051
D	2.40		2.72	0.094		0.107
D1		1.27			0.050	
E	0.49		0.70	0.019		0.027
F	0.61		0.88	0.024		0.034
F1	1.14		1.70	0.044		0.067
F2	1.14		1.70	0.044		0.067
G	4.95		5.15	0.194		0.203
G1	2.4		2.7	0.094		0.106
H2	10.0		10.40	0.393		0.409
L2		16.4			0.645	
L4	13.0		14.0	0.511		0.551
L5	2.65		2.95	0.104		0.116
L6	15.25		15.75	0.600		0.620
L7	6.2		6.6	0.244		0.260
L9	3.5		3.93	0.137		0.154
DIA.	3.75		3.85	0.147		0.151



TO-220FP MECHANICAL DATA

DIM.	mm			inch		
	MIN.	TYP.	MAX.	MIN.	TYP.	MAX.
A	4.4		4.6	0.173		0.181
B	2.5		2.7	0.098		0.106
D	2.5		2.75	0.098		0.108
E	0.45		0.7	0.017		0.027
F	0.75		1	0.030		0.039
F1	1.15		1.7	0.045		0.067
F2	1.15		1.7	0.045		0.067
G	4.95		5.2	0.195		0.204
G1	2.4		2.7	0.094		0.106
H	10		10.4	0.393		0.409
L2		16			0.630	
L3	28.6		30.6	1.126		1.204
L4	9.8		10.6	0.385		0.417
L6	15.9		16.4	0.626		0.645
L7	9		9.3	0.354		0.366
Ø	3		3.2	0.118		0.126



Information furnished is believed to be accurate and reliable. However, STMicroelectronics assumes no responsibility for the consequences of use of such information nor for any infringement of patents or other rights of third parties which may result from its use. No license is granted by implication or otherwise under any patent or patent rights of STMicroelectronics. Specification mentioned in this publication are subject to change without notice. This publication supersedes and replaces all information previously supplied. STMicroelectronics products are not authorized for use as critical components in life support devices or systems without express written approval of STMicroelectronics.

The ST logo is a registered trademark of STMicroelectronics

© 1998 STMicroelectronics – Printed in Italy – All Rights Reserved

STMicroelectronics GROUP OF COMPANIES

Australia - Brazil - Canada - China - France - Germany - Italy - Japan - Korea - Malaysia - Malta - Mexico - Morocco - The Netherlands - Singapore - Spain - Sweden - Switzerland - Taiwan - Thailand - United Kingdom - U.S.A.

<http://www.st.com>