

RC5532/RC5532A

High Performance Dual Low Noise Operational Amplifier

Features

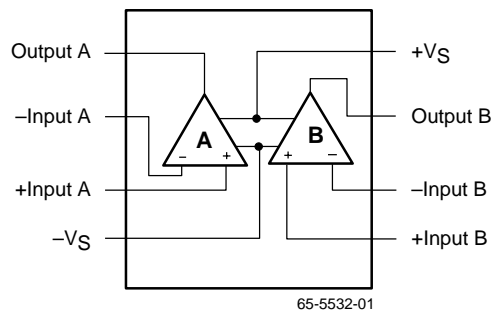
- Small signal bandwidth – 10 MHz
- Output drive capability – 600Ω, 10 VRMS
- Input noise voltage – 5 nV/√Hz
- DC voltage gain – 50,000
- AC voltage gain – 2200 at 10 KHz
- Power bandwidth – 140 KHz
- Slew rate – 8 V/μS
- Large supply voltage range – ±3V to ±20V

Description

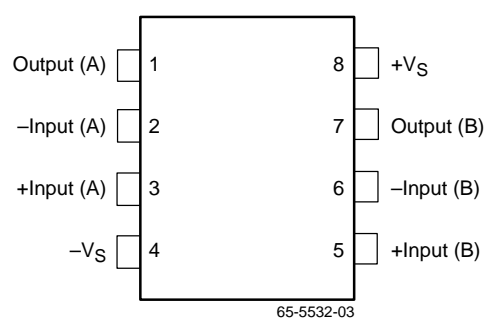
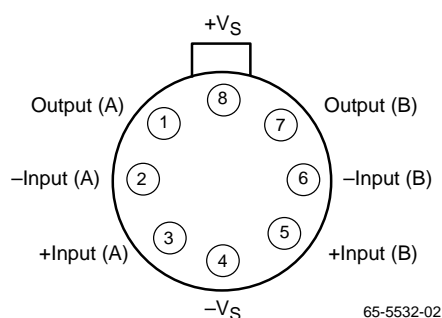
The RC5532 is a high performance, dual low noise operational amplifier. Compared to standard dual operational amplifiers, such as the RC747, it shows better noise performance, improved output drive capability, and considerably higher small-signal and power bandwidths.

This makes the device especially suitable for application in high quality and professional audio equipment, instrumentation, control circuits, and telephone channel amplifiers. The op amp is internally compensated for gains equal to one. If very low noise is of prime importance, it is recommended that the RC5532A version be used which has guaranteed noise specifications.

Block Diagram



Pin Assignments



Absolute Maximum Ratings

(beyond which the device may be damaged)¹

Parameter		Min.	Typ.	Max.	Units
Supply Voltage				±22	V
Input Voltage				±Vs	V
Differential Input Voltage				0.5	V
P _{DTA} < 50°C	PDIP			468	mW
	CerDIP			833	
	SOIC			658	
Junction Temperature	PDIP			125	°C
	CerDIP, TO-99			175	
Storage Temperature		-65		150	°C
Operating Temperature	RM5532/A	-55		125	°C
	RC5532/A	0		70	
Lead Soldering Temperature (10 sec)				300	°C

Notes:

- Functional operation under any of these conditions is NOT implied.
- For supply voltages less than ±15V, the absolute maximum input voltage is equal to the supply voltage.
- Short circuit to ground on one amplifier only.

Operating Conditions

Parameter			Min.	Typ.	Max.	Units
θ _{JC}	Thermal resistance	CerDIP		45		°C/W
		TO-99		50		
θ _{JA}	Thermal resistance	PDIP		160		°C/W
		CerDIP		150		
		TO-99		190		
For T _A > 50°C Derate at		PDIP		6.25		mW/°C
		CerDIP		8.33		
		TO-99		5.26		

DC Electrical Characteristics

($V_S = \pm 15V$ and $T_A = +25^\circ C$ unless otherwise noted)

Parameters	Test Conditions	RM5532/5532A			RC5532/5532A			Units
		Min.	Typ.	Max.	Min.	Typ.	Max.	
Input Offset Voltage			0.5	2.0		0.5	4.0	mV
	Over Temperature			3.0			5.0	mV
Input Offset Current				100		10	150	nA
	Over Temperature			200			200	nA
Input Bias Current			200	400		200	800	nA
	Over Temperature			700			1000	nA
Supply Current			6.0	11		6.0	16	mA
	Over Temperature			13			22	mA
Input Voltage Range		± 12	± 13		± 12	± 13		V
Common Mode Rejection Ratio		80	100		70	100		dB
Power Supply Rejection Ratio		86	100		80	100		dB
Large Signal Voltage Gain	$R_L \geq 2\text{ k}\Omega$, $V_{OUT} = \pm 10V$	50			25	100		V/mV
	Over Temperature	25			15	50		
	$R_L \geq 600\Omega$, $V_{OUT} = \pm 10V$	40			15	50		
	Over Temperature	20			10			
Output Voltage Swing	$R_L \geq 600\Omega$	± 12	± 13		± 12	± 13		V
	$R_L = 600\Omega$, $V_S = \pm 18V$	± 15	± 16		± 15	± 16		
	$R_L \geq 2\text{ k}\Omega$	± 12	± 13					
Input Resistance (Diff. Mode)			300			300		$\text{K}\Omega$
Short Circuit Current			38			38		mA

Notes:

- Diodes protect the inputs against over-voltage. Therefore, unless current-limiting resistors are used, large currents will flow if the differential input voltage exceeds 0.6V. Maximum input current should be limited to $\pm 10\text{mA}$.
- Over Temperature: RM = $55^\circ C \leq T_A \leq 125^\circ C$; RC = $0^\circ C \leq T_A \leq 70^\circ C$

Electrical Characteristics

($V_S = \pm 15V$ and $T_A = +25^\circ C$)

Parameters	Test Conditions	RC/RM5532			RC/RM5532A			Units
		Min.	Typ.	Max.	Min.	Typ.	Max.	
Input Noise Voltage Density	$F_O = 30\text{ Hz}$		8.0			8.0	12	$\text{nV}/\sqrt{\text{Hz}}$
	$F_O = 1\text{ kHz}$		5.0			5.0	6.0	
Input Noise Current Density	$F_O = 30\text{ Hz}$		2.7			2.7		$\text{pA}/\sqrt{\text{Hz}}$
	$F_O = 1\text{ kHz}$		0.7			0.7		
Channel Separation	$F = 1\text{ kHz}$, $R_S = 5\text{ k}\Omega$		110			110		dB

AC Electrical Characteristics

($V_S = \pm 15V$ and $T_A = +25^\circ C$)

Parameters	Test Conditions	Min.	Typ.	Max.	Units
Output Resistance	$A_V = 30$ dB Closed Loop, $F = 10$ kHz, $R_L = 600\Omega$		0.3		Ω
Overshoot	Unity Gain, $V_{IN} = 100$ mV _{p-p} $C_L = 100$ pF, $R_L = 600\Omega$		10		%
Gain	$F = 10$ KHz		2.2		V/mV
Gain Bandwidth Product	$C_L = 100$ pF, $R_L = 600\Omega$		10		MHz
Slew Rate			8.0		V/ μ S
Power Bandwidth	$V_{OUT} = \pm 10V$		140		KHz
	$V_{OUT} = \pm 14V$, $R_L = 600\Omega$, $V_S = \pm 18V$		100		KHz

Test Circuits

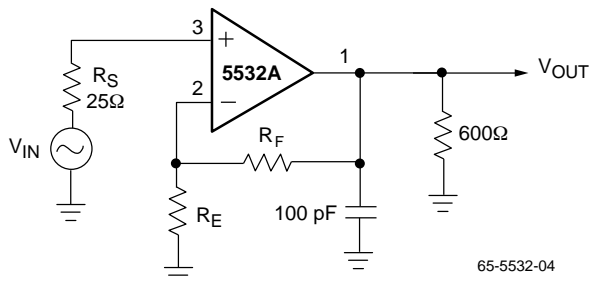


Figure 1. Closed Loop Frequency Response

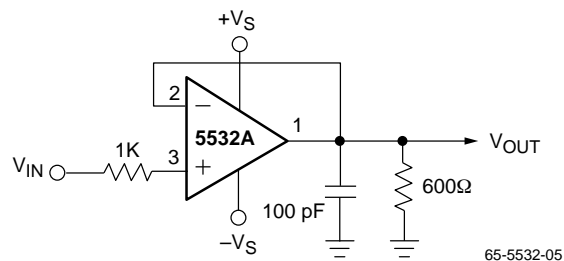


Figure 2. Follower, Transient Response

Typical Performance Characteristics

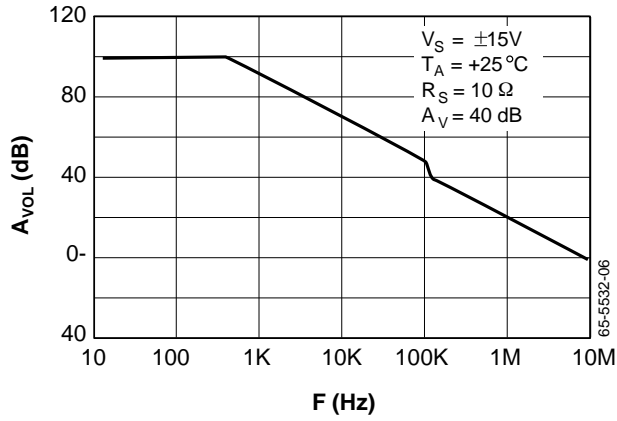


Figure 3. Open Loop Gain vs. Frequency

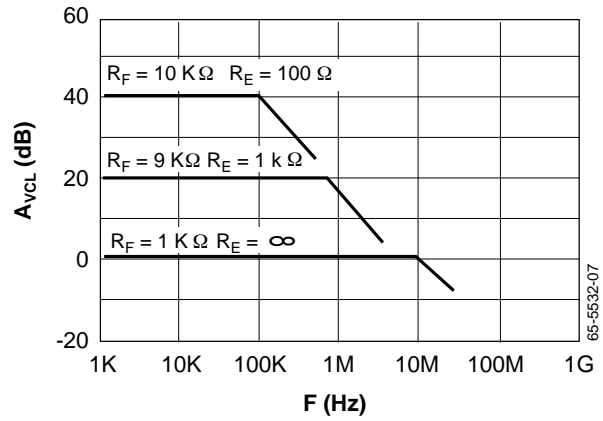


Figure 4. Closed Loop Gain vs. Frequency

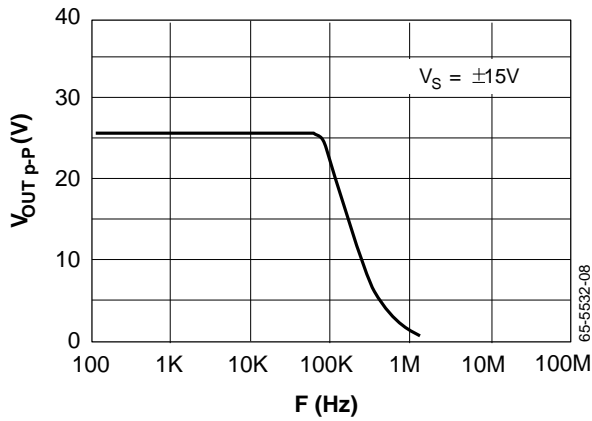


Figure 5. Output Voltage Swing vs. Frequency

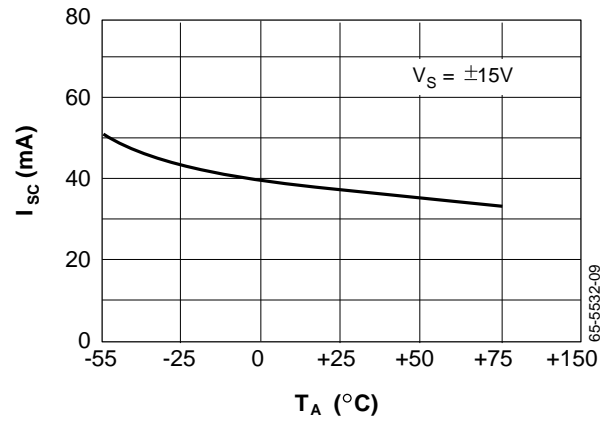


Figure 6. Short Circuit Current vs. Temperature

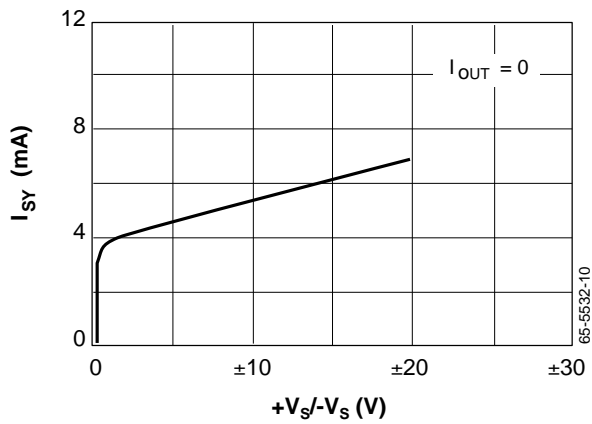


Figure 7. Supply Current vs. Supply Voltage

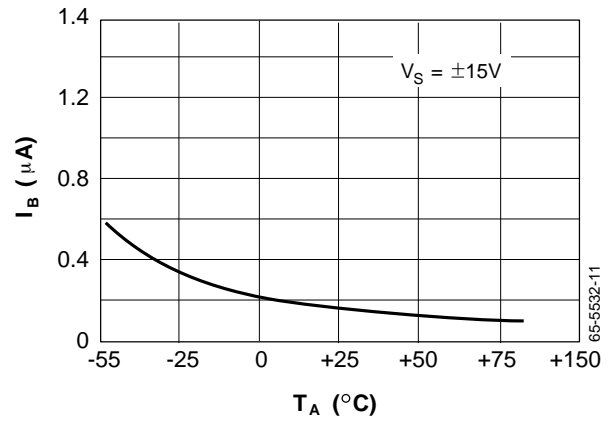


Figure 8. Input Bias Current vs. Temperature

Typical Performance Characteristics (continued)

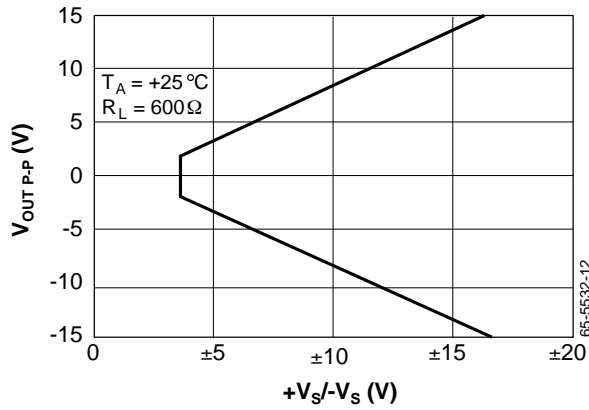


Figure 9. Output Voltage Swing vs. Supply Voltage

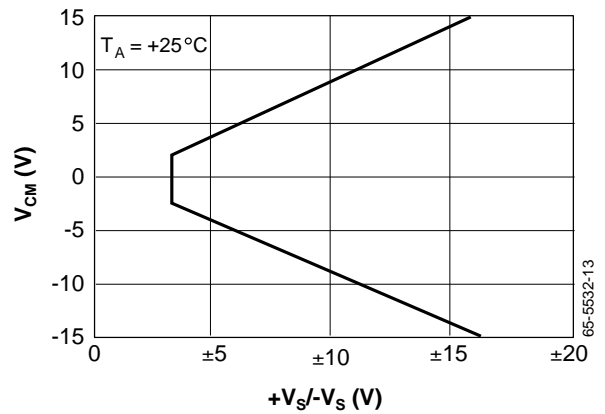


Figure 10. Common Mode Input Range vs. Supply Voltage

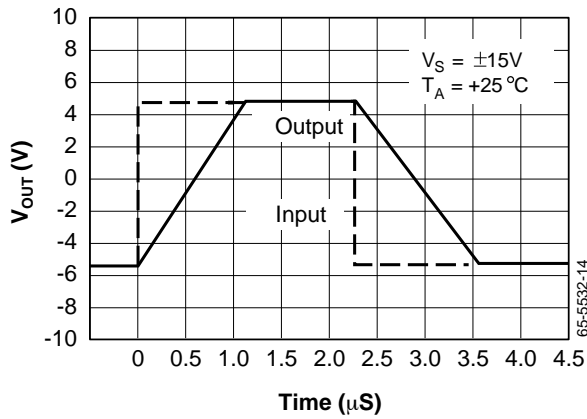


Figure 11. Follower Large Signal Pulse Response

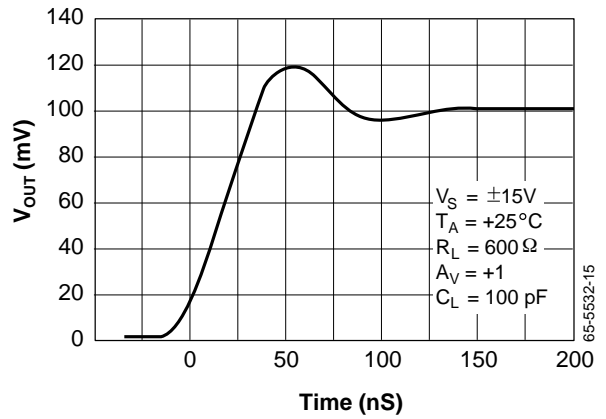


Figure 12. Transient Response Output Voltage vs. Time

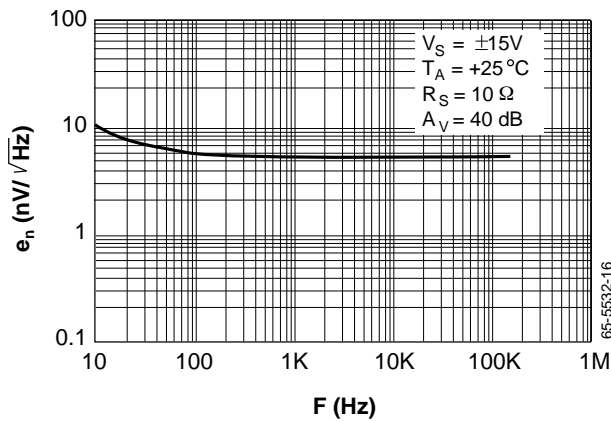


Figure 13. Input Noise Density vs. Frequency

Notes:

Notes:

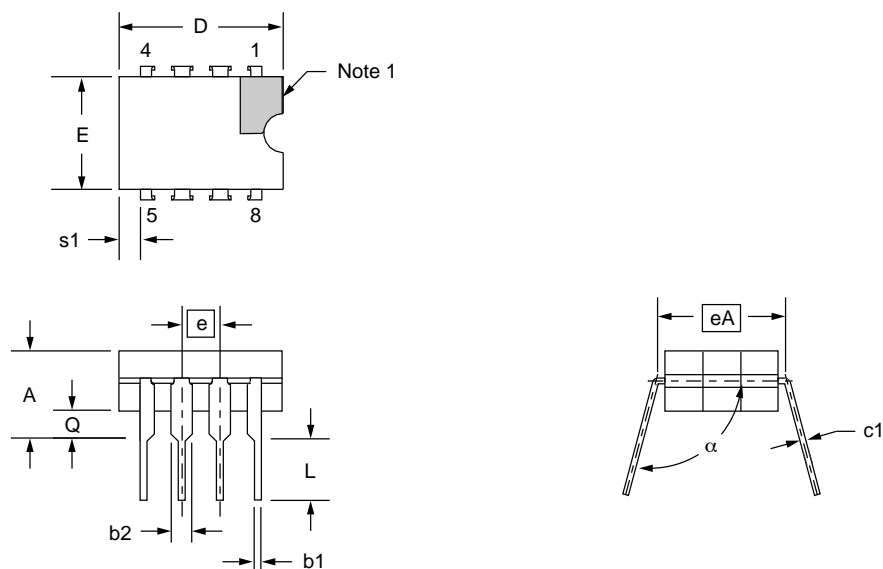
Mechanical Dimensions

8-Lead Ceramic DIP Package

Symbol	Inches		Millimeters		Notes
	Min.	Max.	Min.	Max.	
A	—	.200	—	5.08	
b1	.014	.023	.36	.58	8
b2	.045	.065	1.14	1.65	2, 8
c1	.008	.015	.20	.38	8
D	—	.405	—	10.29	4
E	.220	.310	5.59	7.87	4
e	.100 BSC		2.54 BSC		5, 9
eA	.300 BSC		7.62 BSC		7
L	.125	.200	3.18	5.08	
Q	.015	.060	.38	1.52	3
s1	.005	—	.13	—	6
α	90°	105°	90°	105°	

Notes:

1. Index area: a notch or a pin one identification mark shall be located adjacent to pin one. The manufacturer's identification shall not be used as pin one identification mark.
2. The minimum limit for dimension "b2" may be .023 (.58mm) for leads number 1, 4, 5 and 8 only.
3. Dimension "Q" shall be measured from the seating plane to the base plane.
4. This dimension allows for off-center lid, meniscus and glass overrun.
5. The basic pin spacing is .100 (2.54mm) between centerlines. Each pin centerline shall be located within ± 0.010 (.25mm) of its exact longitudinal position relative to pins 1 and 8.
6. Applies to all four corners (leads number 1, 4, 5, and 8).
7. "eA" shall be measured at the center of the lead bends or at the centerline of the leads when " α " is 90°.
8. All leads – Increase maximum limit by .003 (.08mm) measured at the center of the flat, when lead finish applied.
9. Six spaces.



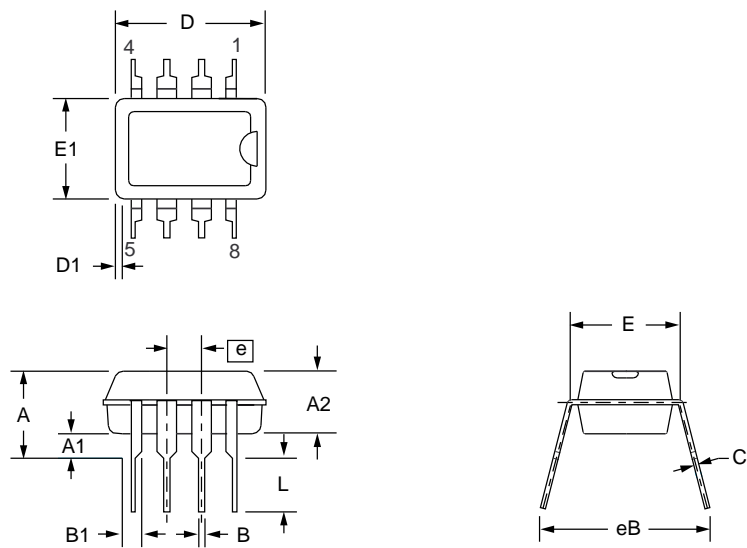
Mechanical Dimensions (continued)

8-Lead Plastic DIP Package

Symbol	Inches		Millimeters		Notes
	Min.	Max.	Min.	Max.	
A	—	.210	—	5.33	
A1	.015	—	.38	—	
A2	.115	.195	2.93	4.95	
B	.014	.022	.36	.56	
B1	.045	.070	1.14	1.78	
C	.008	.015	.20	.38	4
D	.348	.430	8.84	10.92	2
D1	.005	—	.13	—	
E	.300	.325	7.62	8.26	
E1	.240	.280	6.10	7.11	2
e	.100 BSC		2.54 BSC		
eB	—	.430	—	10.92	
L	.115	.160	2.92	4.06	
N	8°		8°		5

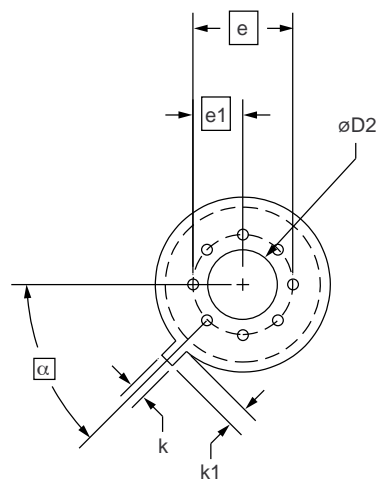
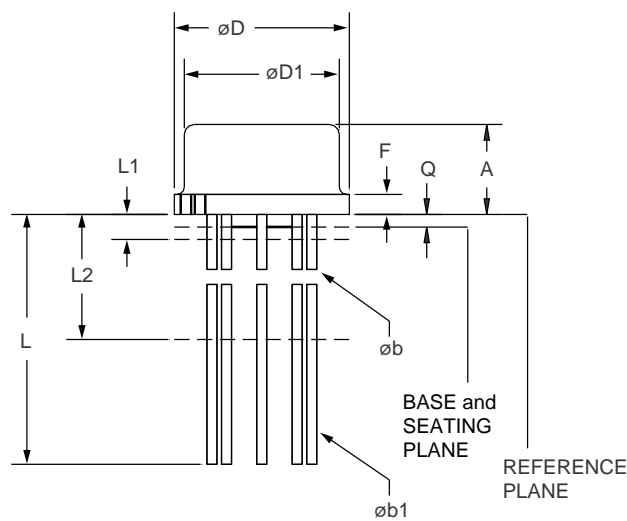
Notes:

1. Dimensioning and tolerancing per ANSI Y14.5M-1982.
2. "D" and "E1" do not include mold flashing. Mold flash or protrusions shall not exceed .010 inch (0.25mm).
3. Terminal numbers are for reference only.
4. "C" dimension does not include solder finish thickness.
5. Symbol "N" is the maximum number of terminals.



Mechanical Dimensions (continued)

8-Lead Metal Can IC Header Package



Symbol	Inches		Millimeters		Notes
	Min.	Max.	Min.	Max.	
A	.165	.185	4.19	4.70	
ϕb	.016	.019	.41	.48	1, 5
$\phi b1$.016	.021	.41	.53	1, 5
ϕD	.335	.375	8.51	9.52	
$\phi D1$.305	.335	7.75	8.51	
$\phi D2$.110	.160	2.79	4.06	
e	.200 BSC		5.08 BSC		
e1	.100 BSC		2.54 BSC		
F	—	.040	—	1.02	
k	.027	.034	.69	.86	
k1	.027	.045	.69	1.14	2
L	.500	.750	12.70	19.05	1
L1	—	.050	—	1.27	1
L2	.250	—	6.35	—	1
Q	.010	.045	.25	1.14	
α	45° BSC		45° BSC		

Notes:

1. (All leads) ϕb applies between L1 & L2. $\phi b1$ applies between L2 & .500 (12.70mm) from the reference plane. Diameter is uncontrolled in L1 & beyond .500 (12.70mm) from the reference plane.
2. Measured from the maximum diameter of the product.
3. Leads having a maximum diameter .019 (.48mm) measured in gauging plane, .054 (1.37mm) +.001 (.03mm) -.000 (.00mm) below the reference plane of the product shall be within .007 (.18mm) of their true position relative to a maximum width tab.
4. The product may be measured by direct methods or by gauge.
5. All leads – increase maximum limit by .003 (.08mm) when lead finish is applied.

Ordering Information

Product Number	Temperature Range	Screening	Package
RC5532D/RC5532AD	0°C to +70°C	Commercial	8 Pin Ceramic DIP
RC5532N/RC5532AN	0°C to +70°C	Commercial	8 Pin Plastic DIP
RM5532D/RM5532AD	-55°C to +125°C	Commercial	8 Pin Ceramic DIP
RM5532D/883B	-55°C to +125°C	Military	8 Pin Ceramic DIP
RM5532AD/883B	-55°C to +125°C	Military	8 Pin Ceramic DIP
RM5532T/RM5532AT	-55°C to +125°C	Commercial	8 Pin TO-99 Metal Can
RM5532T/883B	-55°C to +125°C	Military	8 Pin TO-99 Metal Can
RM5532AT/883B	-55°C to +125°C	Military	8 Pin TO-99 Metal Can

Note:

1. /883B suffix denotes MIL-STD-883, Par. 1.2.1 compliant device.

LIFE SUPPORT POLICY

FAIRCHILD'S PRODUCTS ARE NOT AUTHORIZED FOR USE AS CRITICAL COMPONENTS IN LIFE SUPPORT DEVICES OR SYSTEMS WITHOUT THE EXPRESS WRITTEN APPROVAL OF THE PRESIDENT OF FAIRCHILD SEMICONDUCTOR CORPORATION. As used herein:

1. Life support devices or systems are devices or systems which, (a) are intended for surgical implant into the body, or (b) support or sustain life, and (c) whose failure to perform when properly used in accordance with instructions for use provided in the labeling, can be reasonably expected to result in a significant injury of the user.
2. A critical component in any component of a life support device or system whose failure to perform can be reasonably expected to cause the failure of the life support device or system, or to affect its safety or effectiveness.

Fairchild Semiconductor Corporation
Americas
Customer Response Center
Tel:1-888-522-5372

Fairchild Semiconductor Europe
Fax: +49 (0) 1 80-530 85 86
Email: europe.support@nsc.com
Deutsch Tel: +49 (0) 8 141-35-0
English Tel: +44 (0) 1 793-85-68-56
Italy Tel: +39 (0) 2 57 5631

Fairchild Semiconductor Hong Kong Ltd.
13th Floor, Straight Block,
Ocean Center, 5 Canto Rd.
Tsimshatsui, Kowloon
Hong Kong
Tel:+852 2737-7200
Fax:+852 2314-0061

National Semiconductor Japan Ltd.
Tel:81-3-5620-6175
Fax:81-3-5620-6179