

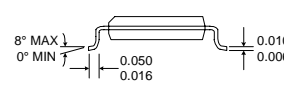
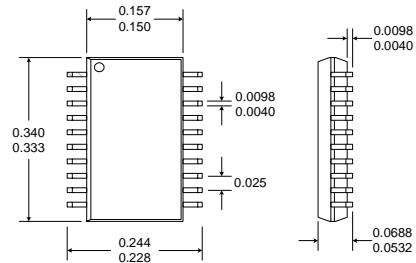
Typical Applications

- Euro-DOCSIS/DOCSIS Cable Modems
- CATV Set-Top Boxes
- Telephony Over Cable
- Home Networks
- Automotive/Mobile Multimedia
- Coaxial and Twisted Pair Line Driver

3
LINEAR CATV
AMPLIFIERS

Product Description

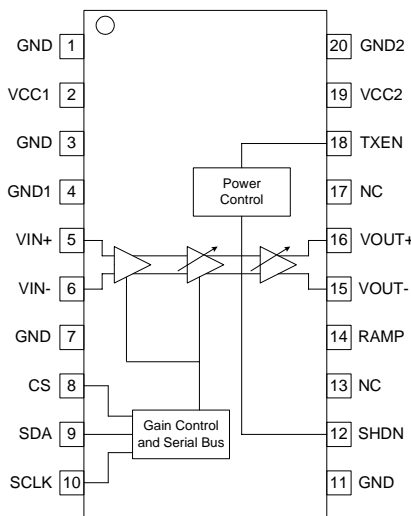
The RF3322 is a variable gain amplifier for use in CATV reverse path (upstream) applications. It is DOCSIS-compliant for use in cable modems. The gain control covers a 58dB range and is serially programmable via three-wire digital bus for compatibility with standard baseband chipsets. Amplifier shutdown and transmit disable modes are software- and hardware-controlled. The device is placed into sleep mode via the serial control bus. The device operates over the frequency band of 5MHz to 65MHz for use in current U.S. and European systems. The amplifier delivers up to 60dBmV at the output of the balun. Gain is controllable in accurate 1dB steps. The device is provided in an industry-standard QSOP-20 package.



- NOTES:**
1. Shaded lead is Pin 1.
 2. All dimensions are excluding mold flash and protrusions.
 3. Lead coplanarity: 0 to 0.004 max.
 4. Deviation from package center and leadframe center: 0.004 max.
 5. Misalignment from top and bottom package centers: 0.004 max.
 6. End flash not to exceed 0.006 per side.

Optimum Technology Matching® Applied

- | | | |
|--|-----------------------------------|--------------------------------------|
| <input type="checkbox"/> Si BJT | <input type="checkbox"/> GaAs HBT | <input type="checkbox"/> GaAs MESFET |
| <input checked="" type="checkbox"/> Si Bi-CMOS | <input type="checkbox"/> SiGe HBT | <input type="checkbox"/> Si CMOS |



Functional Block Diagram

Package Style: QSOP-20

- Features**
- Single 5V Supply
 - Differential Input and Output
 - -30dB to +28dB Voltage Gain Range
 - 5MHz to 65MHz Operation
 - Sophisticated Power Management
 - DOCSIS 1.1 RF Compliant

Ordering Information

RF3322	Cable Reverse Path Programmable Gain Amplifier
RF3322 PCBA	Fully Assembled Evaluation Board

RF Micro Devices, Inc. Tel (336) 664 1233
7625 Thorndike Road Fax (336) 664 0454
Greensboro, NC 27409, USA <http://www.rfmd.com>

Absolute Maximum Ratings

Parameter	Rating	Unit
Supply Voltage (V_{CC1} and V_{CC2})	-0.5 to +6.0	V_{DC}
Input RF Level	12	dBm
Operating Ambient Temperature	-40 to +85	$^{\circ}C$
Storage Temperature	-40 to +150	$^{\circ}C$
Humidity	80	%
Maximum Power Dissipation	0.5	W
Maximum T_J	150	$^{\circ}C$



Caution! ESD sensitive device.

RF Micro Devices believes the furnished information is correct and accurate at the time of this printing. However, RF Micro Devices reserves the right to make changes to its products without notice. RF Micro Devices does not assume responsibility for the use of the described product(s).

3

LINEAR CATV
AMPLIFIERS

Parameter	Specification			Unit	Condition
	Min.	Typ.	Max.		
Overall					$V_{CC}=4.75V$ to $5.25V$, $TXEN=SHDN=1$, $V_{IN}=30$ dBmV (rms) differential, output impedance= 75Ω through a 2:1 transformer. Typical performance is at $T_A=+25^{\circ}C$, $V_{CC}=5V$.
DC Specifications					
Supply Voltage	4.75	5.0	5.25	V	
Supply Current					
Maximum Gain		130	160	mA	Gain Control Word=58
Low Gain		65	105	mA	Gain Control Word<35
Transmit Disable		25	35	mA	$TXEN=0$
Software-Shutdown		3	5	mA	Bit 7 of gain control word FALSE
Sleep		0.05		mA	$SHDN=0$
Logic High Voltage	2			V	
Logic Low Voltage			0.8	V	
Logic Leakage Current	-1		1	μA	
AC Specifications					
Voltage Gain					
Maximum	27	28		dB	5 MHz to 42 MHz; Gain Control Word=58
Minimum	26	-30	-26	dB	42 MHz to 65 MHz; Gain Control Word=58
3dB Bandwidth		100		MHz	5 MHz to 42 MHz; Gain Control Word=0
1 dB Compression Point		66		dBmV	42 MHz to 65 MHz; Gain Control Word=0
Maximum Input Level			34	dBmV(rms)	Intended operating range is 5 MHz to 65 MHz.
Maximum Output Level			60	dBmV(rms)	Modulated. To meet distortion specifications.
ACPR		-59	-47	dBc	Modulated. Into 75Ω load at balun output, all distortion tones < -50 dBc.
Output IM3		-58	-55	dBc	$V_{IN}=34$ dBmV (rms); QPSK modulation; Symbol rate=160 kbps (2 bits per symbol); 20-bit PRBS (pseudo-random bit stream); 0.25 alpha root cosine filter
Output Third Harmonic Distortion					Tones at 40 MHz and 40.2 MHz, $V_{OUT}=+54$ dBmV/tone, maximum gain, OIP3 is therefore +84 dBmV, IIP3 is 58 dBmV.
F=20 MHz, $V_{OUT}=59$ dBmV		-60	-55	dBc	Maximum Gain, CW
F=65 MHz, $V_{OUT}=59$ dBmV		-55	-50	dBc	Maximum Gain, CW
Output Second Harmonic Distortion					
F=20 MHz, $V_{OUT}=59$ dBmV		-70	-60	dBc	Maximum Gain
F=65 MHz, $V_{OUT}=59$ dBmV		-70	-60	dBc	Maximum Gain

Parameter	Specification			Unit	Condition
	Min.	Typ.	Max.		
AC Specifications, cont'd					
Output Step Size	0.8	1.0	1.1	dB	Maximum Gain, 20MHz -96dBc for a 59dBmV carrier in a 160kHz bandwidth. -64dBc for an 8dBmV carrier in a 160kHz bandwidth. TXEN=0 Time for gain to reach 99% of final value. See Note 1. See Note 1. Maximum Gain Minimum Gain Chip output impedance is nominally 300Ω. Differential to single-ended output conversion to 75Ω is performed in a balun with a 2:1 turns ratio, corresponding to a 4:1 impedance ratio. Differential
Isolation in Transmit Disable Mode	-80	-95		dBc	
Output Noise					
Maximum Gain		-37	-30	dBmV/ 160kHz	
Minimum Gain		-55	-50	dBmV/ 160kHz	
Transmit Disabled		-75	-70	dBmV/ 160kHz	
TX EN Enable Time		0.5	1.0	μS	
TX EN Transient Duration	2.4	3.0		μS	
Output Switching Transients		5	10	mV _{p-p}	
		3	5	mV _{p-p}	
Output Impedance	255	300	345	Ω	
Input Impedance		75		Ω	
Thermal					
Theta _{JC}		28		°C/W	

Note 1: The enable time is determined by the value of the capacitor on pin 14 (RAMP). A higher capacitor value will increase the enable time, but will reduce the transient voltage.

Pin	Function	Description	Interface Schematic
1	GND	Connect to ground.	
2	VCC1	This pin is connected to the supply voltage, and should be decoupled as close to GND1 as possible.	
3	GND	Connect to ground.	
4	GND1	PGA RF ground.	
5	V IN+	Input pin. This should be externally AC-coupled to signal source.	
6	V IN-	Complementary input pin. This should be externally coupled to signal source. For single-ended use, this pin should be AC-coupled to ground through an impedance equivalent to the impedance driving V IN+.	
7	GND	Connect to ground.	
8	CS	Serial bus enable.	
9	SDA	Serial bus data input.	
10	SCLK	Serial bus clock input.	
11	GND	Connect to ground.	
12	SHDN	Ship shutdown pin. Forcing a logic low causes all circuits to switch off and gain settings to be lost.	
13	NC	Not connected.	
14	RAMP	Turn-on time is controlled by an external capacitor between this pin and ground.	
15	V OUT-	Open collector output. Connect to V _{CC} via balun primary.	
16	V OUT+	Open collector output. Connect to V _{CC} via balun primary.	
17	NC	Not connected.	
18	TXEN	Signal path enable pin. Logic high turns on signal path. Logic low turns off signal path, but leaves serial bus active.	
19	VCC2	This pin is connected to the supply voltage, and should be decoupled as close to GND2 as possible.	
20	GND2	Power amplifier bias ground.	

Serial Bus Block Diagram

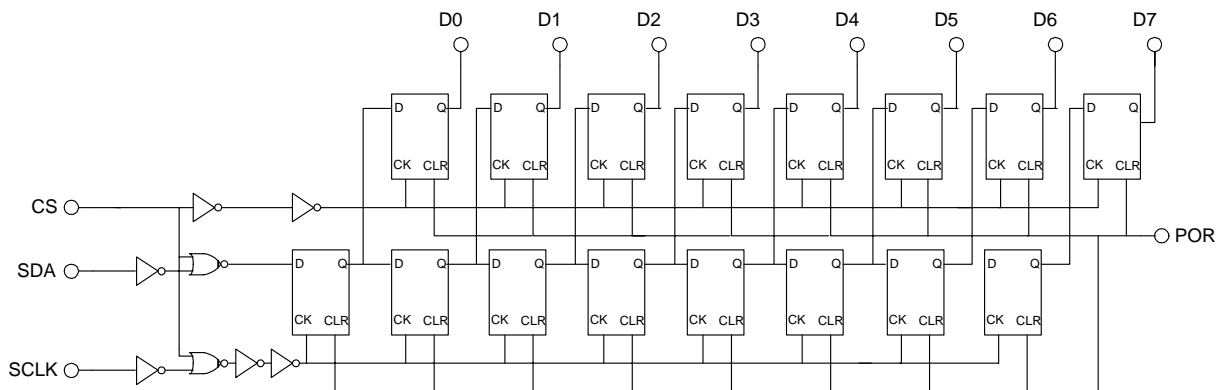


Table 1. Serial Interface Control Word Format

Bit	Mnemonic	Description
MSB 7	D7	Sleep Mode (Software Shutdown)
6	D6	Test Bit
5	D5	Gain Control, Bit 5
4	D4	Gain Control, Bit 4
3	D3	Gain Control, Bit 3
2	D2	Gain Control, Bit 2
1	D1	Gain Control, Bit 1
LSB 0	D0	Gain Control, Bit LSB

Serial Bus Timing Diagram

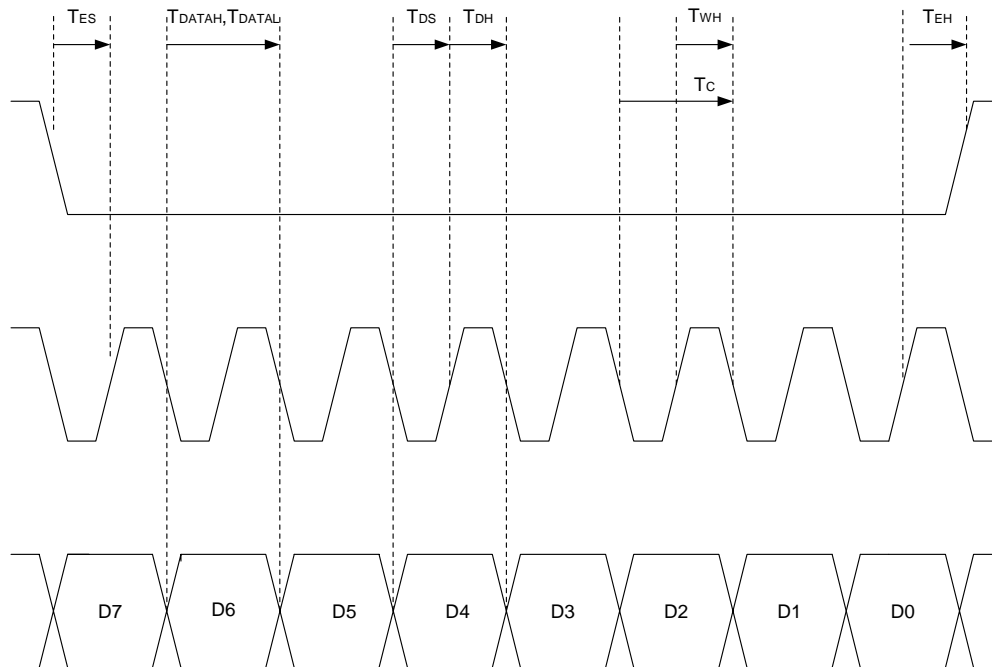


Table 2. Timing Data

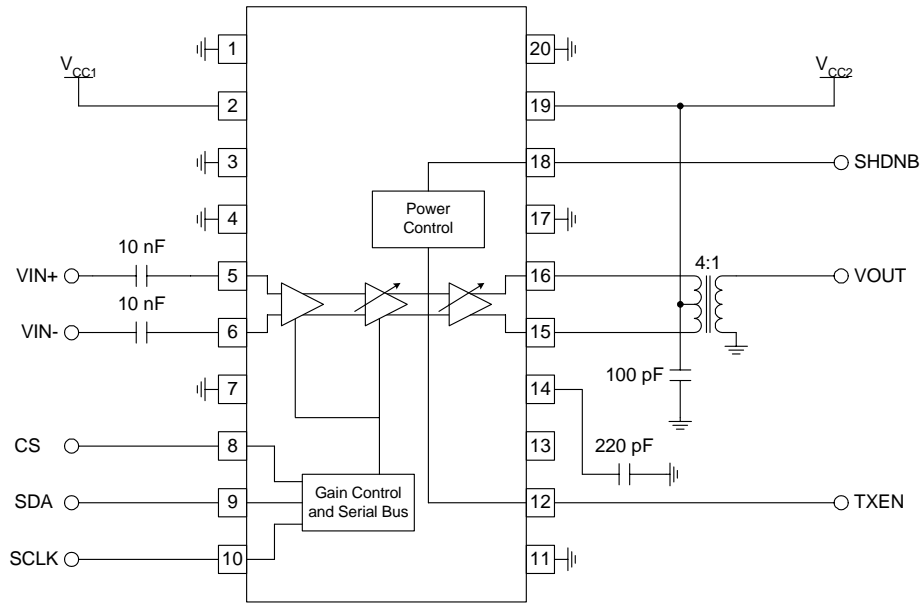
Parameter	Symbol	Min	Typ	Max	Units
SCLK Pulsewidth	T _{WH}	50			ns
SCLK Period	T _C	100			ns
Setup Time, SDA versus S CLK	T _{DS}	10			ns
Setup Time, CS versus S CLK	T _{ES}	10			ns
Hold Time, SDA versus S CLK	T _{DH}	20			ns
Hold Time, CS versus S CLK	T _{EH}	20			ns
SCLK Pulsewidth, High	T _{DATAH}	50			ns
SCLK Pulsewidth, Low	T _{DATAL}	50			ns

Table 3. Programming State

	TX	SHDND	MSB6
Enter Sleep Mode	X	H	L
Exit Sleep Mode	X	H	H*
Enter Shutdown	X	L	X
Exit Shutdown	X	H	H*
TX Enable	H	X	X
TX Disable	L	X	X

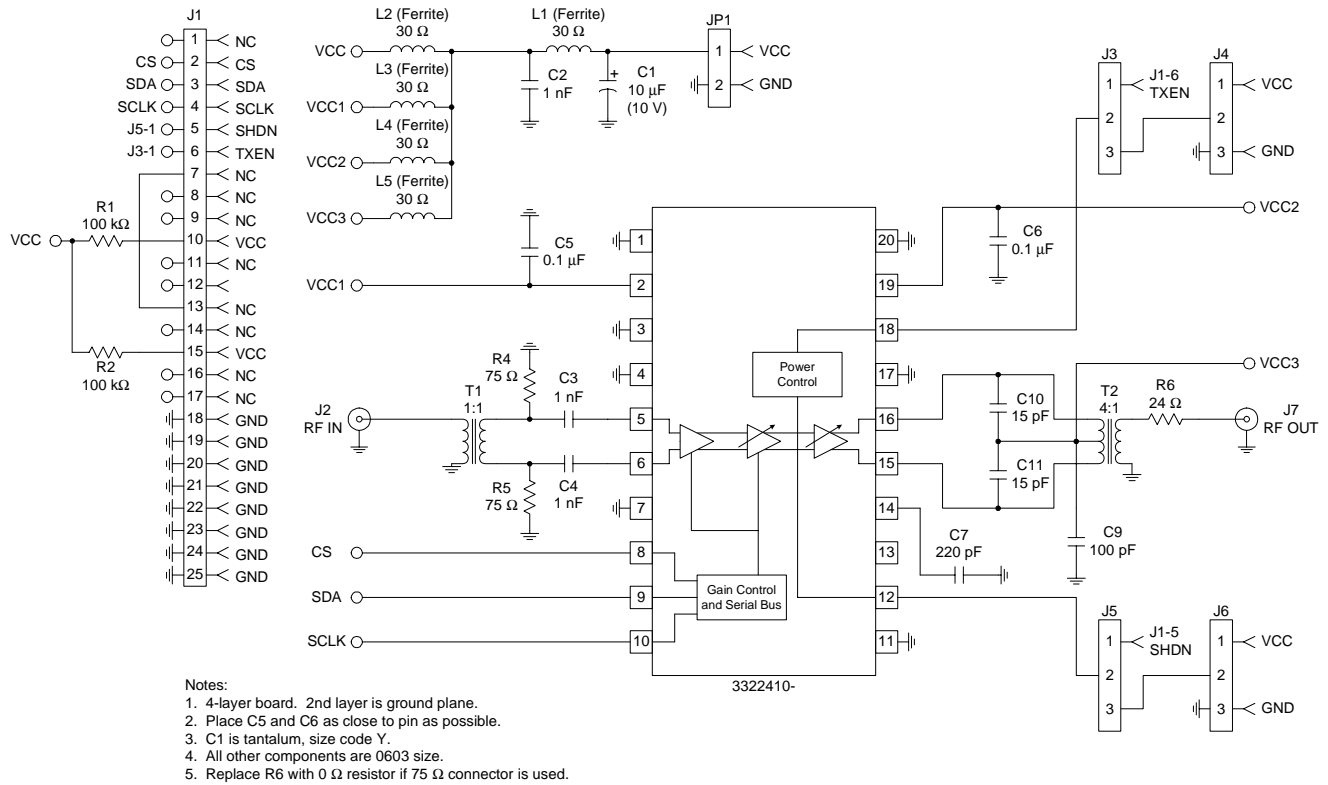
H=High Voltage Logic
L=Low Voltage Logic
X=Don't Care
*Gain Control Data Must be Re-Sent

Typical Application Schematic



3
LINEAR CATV
AMPLIFIERS

Evaluation Board Schematic



3
LINEAR CATV
AMPLIFIERS

PCB Layout Considerations

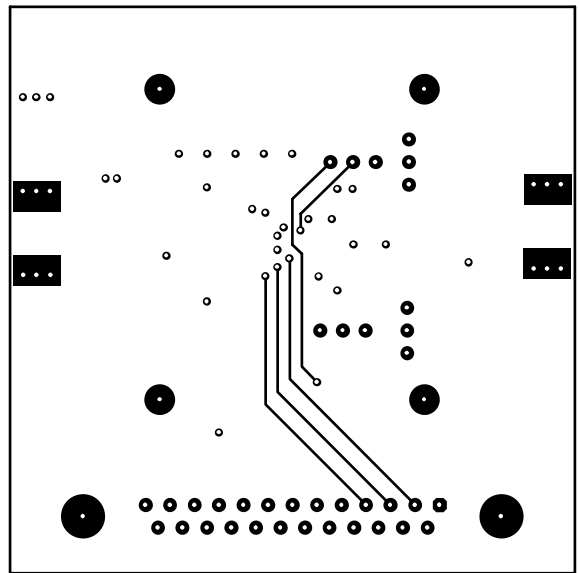
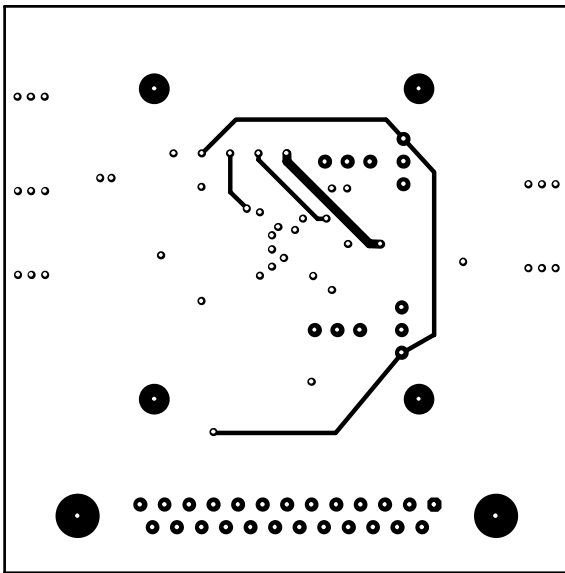
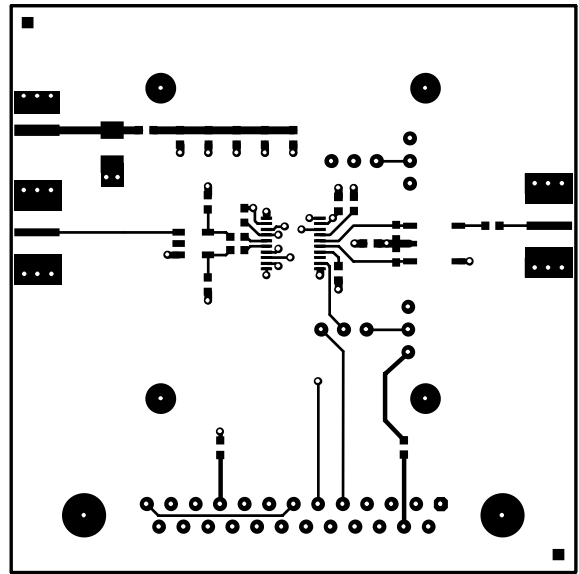
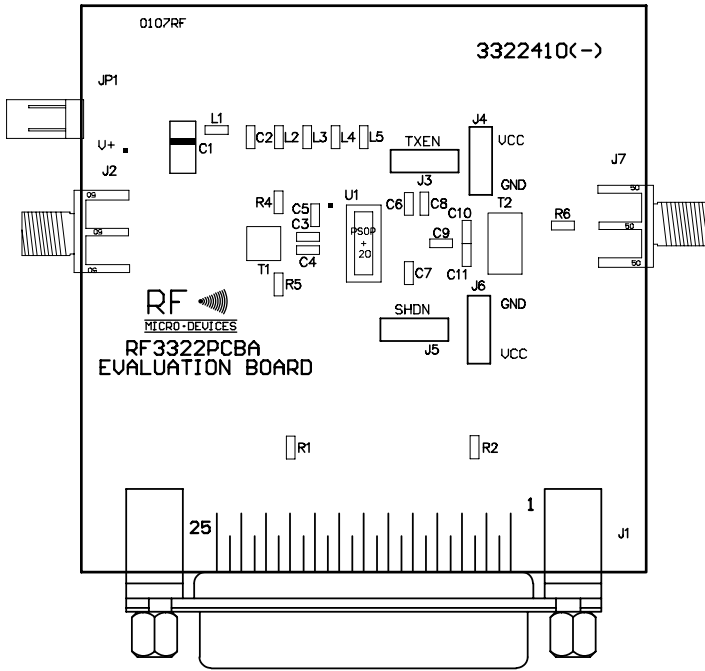
The RF3322 evaluation board can be used as a guide for the layout in your application. Care should be taken in laying out the RF3322 in other applications. The RF3322 will have similar results if the following guidelines are taken into consideration:

- Make sure underside of package is soldered to a good ground on the PCB.
 - Move C2, C9, C10, and C11 as close to T1 as possible.
 - Keep input and output traces as short as possible.
 - Ensure a good ground plane by using multiple vias to the ground plane.
- Use a low noise power supply along with decoupling capacitors.

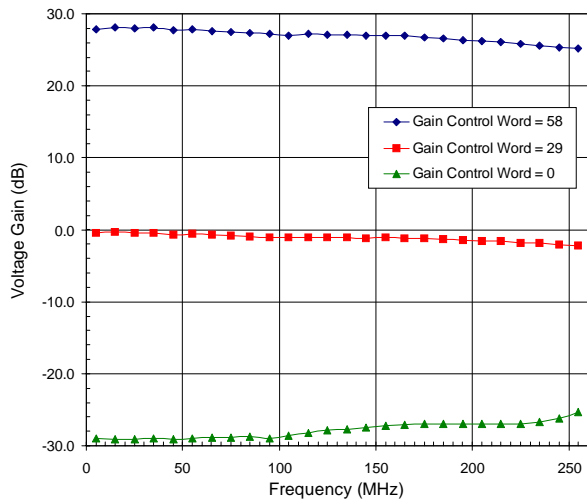
Evaluation Board Layout Board Size 2.5" x 2.5"

Board Thickness 0.058", Board Material FR-4, Multi-Layer

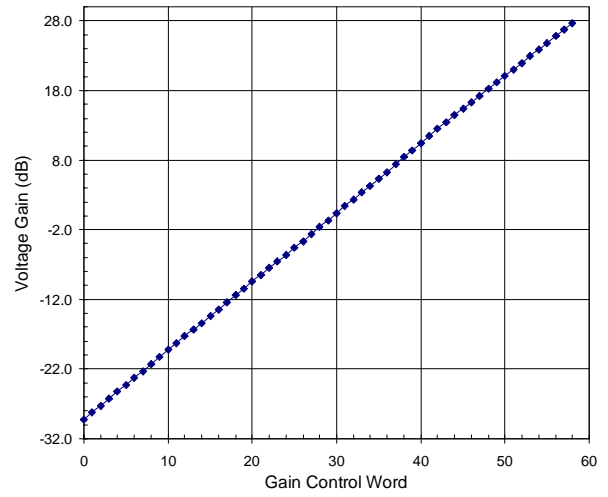
3
LINEAR CATV
AMPLIFIERS



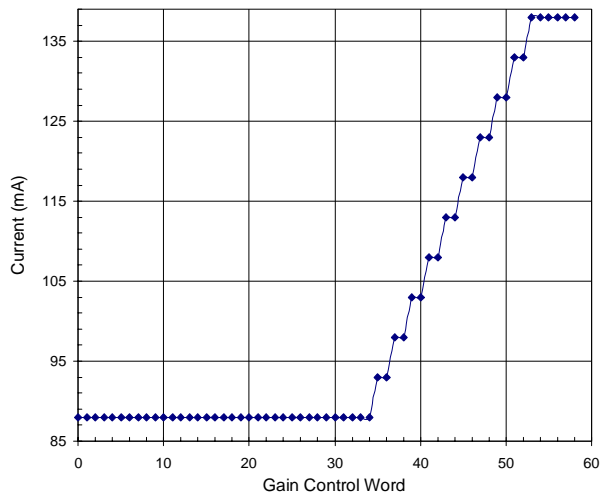
Gain versus Frequency



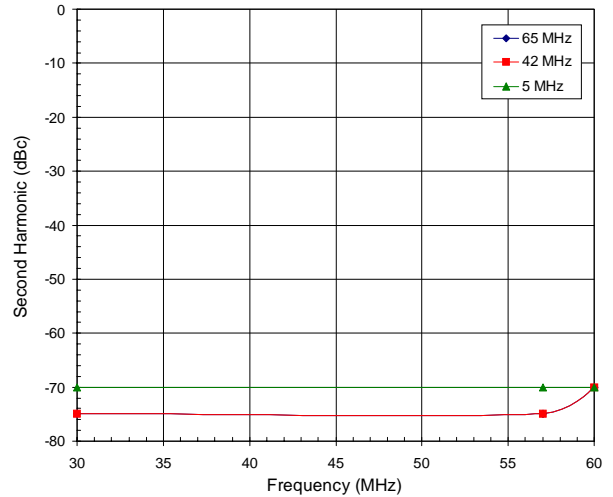
Gain versus Gain Control Word



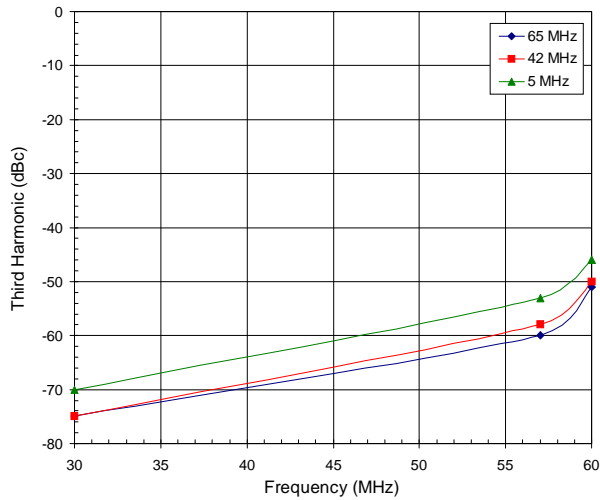
Current versus Gain Control Word



Second Harmonic versus Frequency



Third Harmonic versus Frequency



Evaluation Kit

General Description

The RF3322 PCBA is a fully assembled evaluation board of the RF3322 reverse path high output power programmable gain amplifier, useful for providing a demonstration of the RF3322's functionality. The RF3322 PCBA is a digitally controlled variable gain amplifier capable of driving a 75Ω source. The RF3322 is designed to send cable modem data with QPSK or QAM modulated format at frequencies between 5MHz and 65MHz. The gain is controlled by an 7-bit serial data word which adjusts the output gain from -30dB to +28dB.

The kit includes a fully functional evaluation board along with a serial data cable and software. The cable connects directly to the parallel port of a standard PC. The software is used to control the serially programmable gain through a simple, easy to understand user interface.

Input and output to the evaluation board is provided through 50Ω SMA connectors. The input and output of the evaluation board is matched to 50Ω and connected through a balun for single-ended operation. This allows easy connection to test equipment, but the evaluation board can easily be converted to a 75Ω input and output, or for differential input and output. The output circuit is matched using a 24Ω series resistor which is used to bring the load impedance up to 75Ω when using standard 50Ω test equipment. This will introduce a loss which must be accounted for in all measurements (see measurement section and evaluation board schematic for more detail.)

PCBA Details*Input Circuit*

The input to the RF3322 is differential and the impedance is 75Ω; However, for ease of testing, the evaluation board has been changed to single-ended and the impedance has been matched to 50Ω. If a 75Ω input is required, simply replace the 50Ω SMA connector with a 75Ω F-style connector and remove R4 and R5.

Output Circuit

The output of the RF3322 is differential and the impedance is 300Ω. In normal applications this is converted into a single-ended 75Ω output using a 2:1 (voltage ratio) transformer with a center-tap on the secondary which supplies power to the output stage. The evaluation board is configured for use with 50Ω test equipment. This has been achieved with a 24Ω resistor in series with the output to increase the load seen by the

device to 75Ω. This introduces a voltage loss of 3.5dB which must be accounted for in all measurements. Some spectrum analyzers have a setting to account for this method of 75Ω testing (e.g., on a Rhode & Schwartz spectrum analyzer the input can be set to "75Ω RAZ" and the loss is accounted for automatically). A more accurate way of making this measurement is to use a 75Ω spectrum analyzer, or use a matching transformer or minimum loss pad. This ensures that the source impedance seen by the equipment is also 75Ω. If a 75Ω output is required, simply replace the 50Ω SMA connector (J7) with a 75Ω F-style connector and replace R5 with a 0Ω jumper. The evaluation board is tested with a Coilcraft balun; however, additional baluns may be used as long as care is taken in modifying the decoupling capacitors around the balun. These capacitors can greatly affect the harmonic suppression. Other baluns may be used but should be tested for second and third order harmonic suppression.

Transmit Enable

The transmit enable can be set to "continuous on" by placing the TXEN jumper in the right-hand position (right-hand position when viewing the top of the evaluation board with the 25-pin connector closest to the viewer) and placing the associated GND/VCC jumper in the "VCC" position. The transmit enable can be set to "continuous off" by placing the GND/VCC jumper in the "GND" position. If a computer controlled signal is used (J1), place the TXEN jumper in the left-hand position.

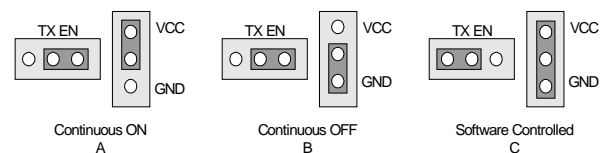


Figure 1. TX Enable Configuration

Shutdown Enable

Shutdown enable can be set to be “continuous on” (chip enabled) by placing the SHDN jumper in the right-hand position and placing the associated GND/VCC jumper in the “VCC” position. Shutdown enable can be set to “continuous off” (chip disabled) by placing the associated GND/VCC jumper in the “GND” position. If a computer controlled signal is used (J1), place the SHDN jumper in the left-hand position.

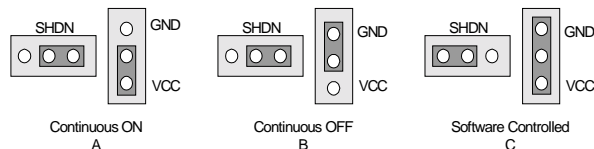


Figure 2. SHDN Enable Configuration

V_{CC} Settings

V_{CC1} should be set to $5.0V_{DC}$.

Evaluation Board Setup

Equipment Needed

- Signal Generator
- Spectrum Analyzer
- Power Supply ($5.0V @ 300mA$)
- RF3322 PCBA
- Serial Cable (included with kit)
- Standard PC
- Three-Wire Bus Software

Optional Equipment

- Variable Low-Pass or Band-Pass Filters
- Power Meter
- Second Signal Generator with Modulation for ACPR and IP2, IP3 Testing
- Arbitrary Wave Generator
- Two-Channel Oscilloscope

Software Setup

To install the software, you need a computer with the following.

- 133MHz Pentium processor
- 16MB RAM
- Hard Drive with 5MB free space
- Free 25-pin LPT port
- VGA Monitor

The software may be downloaded from www.rfmd.com by following these steps.

- Select the “Product Support” tab;
- Select “Evaluation Board Information”;
- Select “RF3322”.

Unzip the file using WinZip 7.0 or higher (<http://www.winzip.com>). Unzip to a temporary directory and run RF3322.exe.

The 7-bit Gain Control Word (GCW) in the data latch determines the gain setting in the RF3322. The gain control data (SDA) load sequence is initiated by a falling edge on CS. The SDA is serially loaded (MSB first) into the 7-bit shift register at each rising edge of the clock. While CS is low, the data latch holds the previous data word allowing the gain level to remain unchanged. After seven clock cycles the new data word is fully loaded and CS is switched high. This enables the data latch and the loaded register data is passed to the gain control block with the updated gain value. Also at this CS transition, the internal clock is disabled, thus inhibiting new serial input data.

Software and Cable

Figure 3 shows the cable configuration. Connect the cable into the LPT1 port of the computer running the software. Connect the other end of the cable to the 25-pin connector of the evaluation board. Executing the software (RF3322.exe) will produce the screen shown in Figure 4. The user may set the gain of the evaluation board by sliding the gain control switch to the desired gain setting. Pressing the Preset Gain Value buttons automatically sets the gain of the unit to the value shown on the button. The Automatic Gain Adjustment when set to “Cycle” will automatically cycle through all of the gain steps (0-58) in seconds (at the rate set by the user). The user may place the unit in sleep, shutdown and transmit enable/disable modes by checking the corresponding box. The bit pattern being sent to the PCBA is shown at the bottom of the screen. See README_3322.txt file for proper pin/signal mapping for the 25 pin interface.

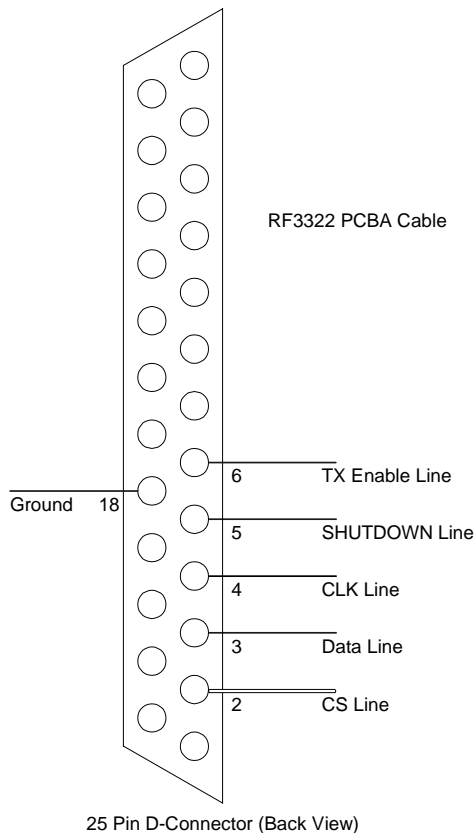


Figure 3. Cable Configuration

Hardware Setup*Gain and Harmonic Distortion Test Setup*

To test the gain of the RF3322 PCBA, connect a low-pass or band-pass filter to the output of the signal generator. Use a filter just above the frequency you want to test. The filter is used to attenuate any harmonics output by the signal generator. Connect the signal generator to the power meter and measure the power. Compare with modulation enabled and disabled to make sure the meter was measuring average rather than peak power. No more than 0.2dB difference in power should be observed. An offset on the signal generator may be needed to match the level shown on the power meter. The signal generator should then be connected directly to a spectrum analyzer. Make sure the output of the signal generator is the same as the input read by the spectrum analyzer. Adjust the offset of the spectrum analyzer until the signal out is the same as the signal in on the spectrum analyzer. Turn off the RF and modulation. Check positioning of the jumpers on the board. Refer to the PCBA section of this application note to verify proper positions. Connect the output of the signal generator to J2: RFIN of the PCB. Connect J7: RFOUT to the spectrum analyzer. Ensure that

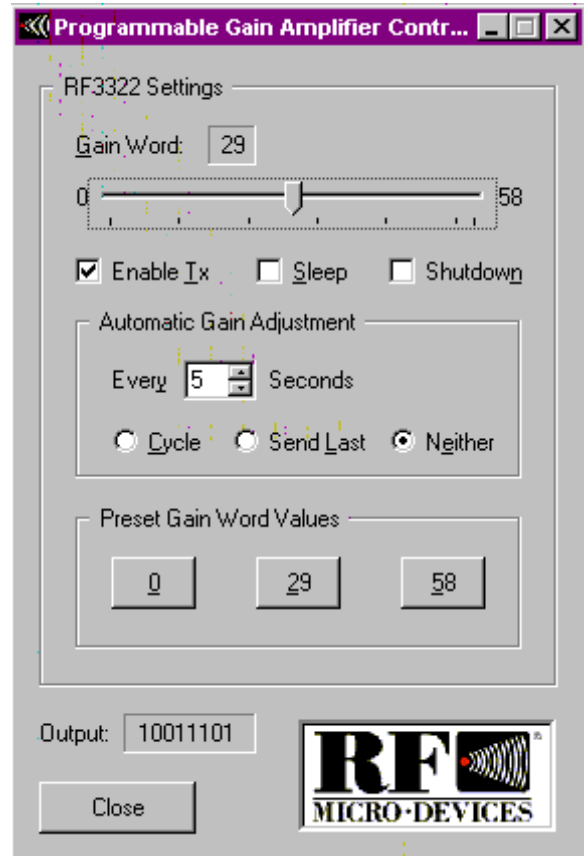


Figure 4. On-Screen Display

you are accounting correctly for the losses in the 75Ω to 50Ω conversion at the output of the device; there is an output voltage loss of 3.5dB for the evaluation board in its standard configuration (see output stage circuit description). Connect one end of the serial cable into the computer and the other end into J1 of the PCB. Connect +5.0V_{DC} into V+ and ground into GND(JP1). Turn on the DC power and turn on RF from the signal generator. Set the GCW to 58 and make sure TX Enable is checked. The amplified signal should be displayed on the spectrum analyzer. The harmonics can also be viewed with this setup. As you change the GCW from 58 to 0 (in steps of one), there will be a 1dB change in the output of the PCB.

ACPR Test Setup

To test the ACPR of the RF3322 PCBA set modulation to:

- QPSK
- 2Bits/Sym
- 160ksps
- $\alpha=0.25$
- PRBS-20bit Data

Set signal generator to:

- 45MHz,
- -13.0dBm output power,
- 0dB offset.

Connect 50MHz coaxial filter to output, then to output cable.

Zero and calibrate the power meter. Connect signal generator to power meter and set offset on signal generator until power meter reads -13.0dBm. Make sure power meter reads the same (± 0.2 dBm) with modulation enabled and disabled to verify power meter is measuring average power rather than peak power. Check positioning of the jumpers on the board. Refer to the PCBA section of this application note to verify proper positions. Connect the output of the signal generator to J2: RFIN of the PCB. Connect J7: RFOUT to the power meter. Connect one end of the serial cable into the computer and the other end into P1 of the PCB. Connect +5.0V_{DC} into V_{CC} and ground into GND. Turn on the DC power and turn on RF and modulation from the signal generator. Set the GCW to 58 and make sure TX Enable is checked. Measure and record channel power at RFOUT using the power meter (accounting for 75/50 conversion losses). Connect RFOUT to spectrum analyzer and adjust offset of the spectrum analyzer until the channel power displayed by the spectrum analyzer is equal to the channel power recorded in the previous step (Channel bandwidth=200kHz). Now use the spectrum analyzer to measure relative ACP (this way the uncertainties in the spectrum analyzer power measurement are immaterial). The ACP is measured in 200kHz channel bandwidths at a 220kHz offset (i.e., from 20kHz to 220kHz outside the channel). As you increase the input power, you will notice a degradation of the ACP upper and lower bands. Datasheet performance is measured at an input level of 34dBmV.

Transmit Turn-On and Turn-Off Transients

Use an Arbitrary Waveform Generator set to a 3V square wave, 5% duty cycle, 120Hz as the input to the transmit enable. Set a signal generator to 10MHz, -13.0dbm output power, 0dB offset. Connect output of the signal generator to J2, RFIN of the PCB. Remove the TXEN jumper and connect the arbitrary wave generator square wave output to the center pin of the TXEN 3-pin header. Connect the output of the evaluation board to the oscilloscope (channel 1). Connect the TXEN signal from the arbitrary wave generator to channel 2 of the oscilloscope and trigger off of the rising edge. As the TXEN line is sent, the oscilloscope will trigger and capture the pulsed RFOUT signal. This

will be displayed on the oscilloscope. Measure the amount of time between 90% of the TXEN turn-on to where the output signal reaches 90% of full turn-on. This is defined as the transmit turn-on time.

To measure the transient pulse, replace the signal generator input with a 50 Ω terminator and repeat the steps above. Measure the size of the transient. This can be affected by the C_{RAMP} capacitor (C7), and the output balun and capacitor values around the balun. Larger values of C_{RAMP} will decrease the transient voltage and increase the TX enable time.

PCB Layout Considerations

The RF3322 Evaluation board can be used as a guide for the layout in your application. Care should be taken in laying out the RF3322 in other applications. The RF3322 will have similar results if the following guidelines are taken into consideration:

- Make sure underside of package is soldered to a good ground on the PCB.
- Move C2, C9, C10, and C11 as close to T1 as possible.
- Keep input and output traces as short as possible.
- Ensure a good ground plane by using multiple vias to the ground plane.
- Use a low noise power supply along with decoupling capacitors.

Special Handling Information for Shrunk Small Outline Package (SSOP1-EPP) Products

These packages are considered JEDEC Level 5 for moisture sensitivity and require special handling to assure reliable performance.

The exposed copper slug on the bottom of the package improves both thermal and electrical performance. Since the RFIC is mounted directly on the thermal slug, and the slug is soldered directly on the PCB, the thermal resistance to the PCB is minimized. Also, the RF ground for the amplifier is established through this copper slug as it is soldered to the ground plane on the PCB. This offers the least inductance ground path available.

Care must be taken when soldering these packages to the PCB. They are currently considered JEDEC Level 5 for moisture sensitivity. Therefore the parts must be handled in a dry environment prior to soldering, as is specified in the JEDEC specification. Specifically, RFMD recommends the following procedure prior to assembly:

1. Dry-bake the parts at 125°C for 24 hours minimum.
Note: the shipping tubes cannot withstand 125°C baking temperature.
2. Parts delivered on tape and reel are already dry-baked and dry-packed. These may be stored for up to one year, but must be assembled within 48 hours after opening the bag.
3. Assemble the dry-baked parts within two days of removal from the oven.
4. During this two-day period, the parts must be stored in humidity less than 60%.

IMPORTANT!

If the two-day period is exceeded, then this procedure must be repeated prior to assembly.