

SANYO	NO.1570B	LB1265,1265M
	8-Channel Low-Saturation Driver	

The LB1265,1265M are 8-channel low saturation driver arrays having a strobe pin.

Applications

- . Drive of various relays.
- . Drive of display elements such as LED, lamp.
- . Interface.
- . Drive of small-sized printers.

Features

- . Low saturation output (0.3Vmax. at 80mA)
- . With a strobe pin.
- . On-chip spark killer diodes.
- . DIP20 package for high power use; MFP20 package for small-sized use.

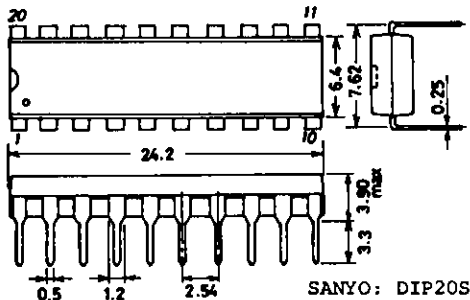
Absolute Maximum Ratings at Ta=25°C

				unit
Maximum Supply Voltage	V _{CC1}	7.0	V	
	V _{CC2}	25	V	
Output Supply Voltage	V _{OUT}	28	V	
Input Supply Voltage	V _{IN}	7.0	V	
Strobe Input Supply Voltage	V _{I(ST)}	7.0	V	
Output Current	I _{OUT}	100	mA	
Allowable Power Dissipation	P _{dmax}	LB1265:DIP20S	1130	mW
		LB1265M:MFP20	300	mW
Operating Temperature	T _{opr.}	-20 to +75	°C	
Storage Temperature	T _{stg}	-40 to +125	°C	
Spark Killer Diode Forward Current	I _{F(S)}	Pulse width ≤ 35ms, duty=5%	100	mA

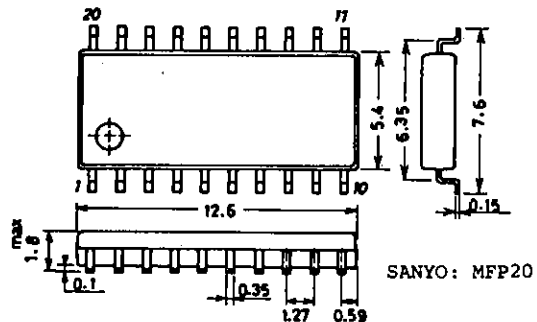
Allowable Operating Conditions at Ta=25°C

				unit
Supply Voltage	V _{CC1}	3.0 to 7.0	V	
"H" Level Input Voltage	V _{IH}	2.0 to 7.0	V	
"L" Level Input Voltage	V _{IL}	-0.3 to +0.3	V	

Package Dimensions 3021B-D20SIC
(unit : mm) [LB1265]



Package Dimensions 3036B-M20IC
(unit : mm) [LB1265M]

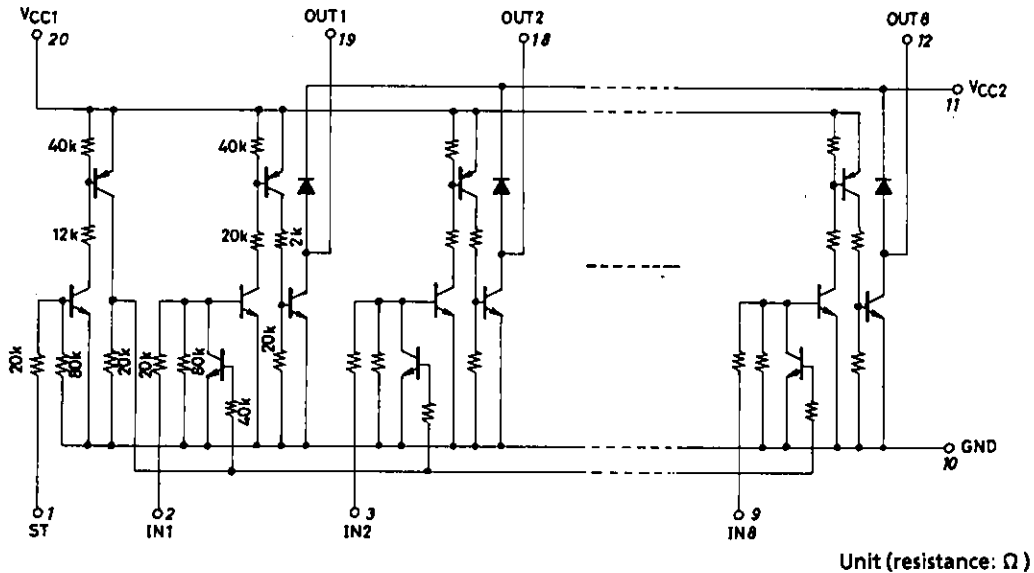


LB1265, 1265M

Electrical Characteristics at Ta=25°C

			min	typ	max	unit
Output Voltage	V_{OUT1}	$V_{CC1}=V_{CC2}=6.0V,$ $V_{IN}=4.0V, I_{OUT}=80mA$			0.3	V
	V_{OUT2}	$V_{CC1}=V_{CC2}=4.0V,$ $V_{IN}=2.0V, I_{OUT}=40mA$			0.25	V
Input Current	I_{IN}	$V_{CC1}=V_{CC2}=V_{IN}=7.0V$			0.5	mA
Strobe Input Current	$I_{I(ST)}$	$V_{CC1}=V_{CC2}=0V,$ $V_{I(ST)}=7.0V$			0.5	mA
Output Leakage Current	$I_{o(leak)1}$	$V_{CC1}=V_{CC2}=V_{OUT}=7.0V,$ $V_{IN}=0V$			30	μA
	$I_{o(leak)2}$	$V_{CC1}=V_{CC2}=V_{OUT}=V_{IN}$ $=7.0V, V_{I(ST)}=4.0V$			30	μA
Spark Killer Diode Forward Voltage	$V_{F(S)}$	$I_{F(S)}=100mA$			3.0	V
Spark Killer Diode Reverse Current	$I_{R(S)}$	$V_{CC2}=7.0V, V_{OUT}=0V$			30	μA
Turn-ON Time (LB1265 only)	t_{on}	$V_{CC1}=5.0V, V_{IN}=5.0V,$ $V_{OUT}=25V, R_L=250\Omega,$ $f_{pulse}=1kHz, duty=50\%$		0.3		μs
Turn-OFF Time (LB1265 only)	t_{off}				5.0	

Equivalent Circuit



■ No products described or contained herein are intended for use in surgical implants, life-support systems, aerospace equipment, nuclear power control systems, vehicles, disaster/crime-prevention equipment and the like, the failure of which may directly or indirectly cause injury, death or property loss.

■ Anyone purchasing any products described or contained herein for an above-mentioned use shall:

- ① Accept full responsibility and indemnify and defend SANYO ELECTRIC CO., LTD., its affiliates, subsidiaries and distributors and all their officers and employees, jointly and severally, against any and all claims and litigation and all damages, cost and expenses associated with such use;
- ② Not impose any responsibility for any fault or negligence which may be cited in any such claim or litigation on SANYO ELECTRIC CO., LTD., its affiliates, subsidiaries and distributors or any of their officers and employees jointly or severally.

■ Information (including circuit diagrams and circuit parameters) herein is for example only; it is not guaranteed for volume production. SANYO believes information herein is accurate and reliable, but no guarantees are made or implied regarding its use or any infringements of intellectual property rights or other rights of third parties.