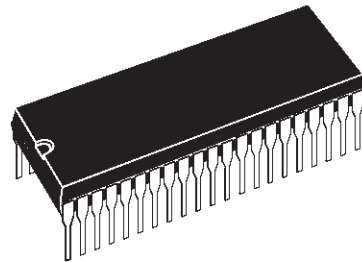
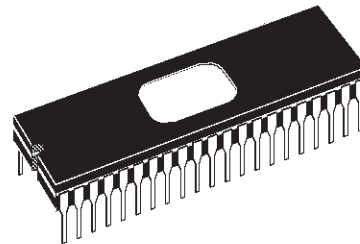


**8-BIT ROM/OTP/EPROM MCUs FOR DIGITALLY
CONTROLLED MULTISYNC/MULTISTANDARD MONITORS**

- 4.5V to 6V Operating Supply Voltage Range
- Low Current Consumption
- 0 to +70°C Operating Temperature Range
- 8 MHz clock Oscillator
- 16K bytes ROM/OTP/EPROM
(8K and 12K ROM versions also available)
- 192 bytes RAM
- 384 bytes general purpose EEPROM
- 128 bytes dedicated EEPROM for DDC SPI
- 22 fully programmable I/O pins, offering direct LED drive capability, as well as interrupt generation for keyboard inputs
- Digital WATCHDOG timer
- Three Timers, each comprising an 8-bit counter and a 7-bit Prescaler
- SYNC Processor:
 - 12-bits HSYNC Event Counter
 - 12-bits VSYNC Period Counter
 - HSYNC and VSYNC Polarity Detection
 - HSYNC and VSYNC Outputs
 - HFLYBACK and VFLYBACK Inputs
 - CLAMP and BLANK Outputs
- 14-bit (PWM + BRM) D/A Converter
- Nine 7-bit PWM D/A Converter Outputs
- 8-bit A/D Converter with 8 multiplexed inputs
- DDC SPI with interrupt and 4 operating modes
- A further SPI with interrupt and 2 operating modes
- Remote Control Signal Input (Non Maskable Interrupt)
- VSYNC Interrupt Input
- Five Interrupt Vectors
- XOR Register (Instruction Set expansion)
- MIRROR Register (Instruction Set expansion)

**PSDIP42****CSDIP42**

(Refer to end of Document for Ordering Information)

Table of Contents

ST6373	1
1 GENERAL DESCRIPTION	4
1.1 INTRODUCTION	4
1.2 PIN DESCRIPTION	6
1.3 MEMORY SPACES	8
1.3.1 Stack Space	8
1.3.2 Program Space	8
1.3.3 Data Space	10
1.3.4 Data RAM/EEPROM	12
1.3.5 EEPROM Description	12
1.4 MEMORY PROGRAMMING	15
1.4.1 Program Memory	15
1.4.2 Option Byte	15
1.4.3 Eprom Erasure	15
2 CENTRAL PROCESSING UNIT	16
2.1 INTRODUCTION	16
2.2 CPU REGISTERS	16
3 CLOCKS, RESET, INTERRUPTS AND POWER SAVING MODES	18
3.1 ON-CHIP CLOCK OSCILLATOR	18
3.2 RESETS	19
3.2.1 RESET Input	19
3.2.2 Power-on Reset	19
3.2.3 Watchdog Reset	20
3.2.4 Application Note	20
3.2.5 MCU Initialization Sequence	20
3.3 HARDWARE ACTIVATED DIGITAL WATCHDOG FUNCTION	21
3.4 INTERRUPT	23
3.4.1 Interrupt Vectors/Sources	23
3.4.2 Interrupt Priority	24
3.4.3 Interrupt Option Register	24
3.4.4 Interrupt Procedure	25
3.4.5 ST6373 Interrupt Details	25
3.5 POWER SAVING MODES	28
3.5.1 WAIT Mode	28
3.5.2 STOP Mode	28
3.5.3 Exit from WAIT Mode	28
4 ON-CHIP PERIPHERALS	29
4.1 I/O PORTS	29
4.1.1 Details of I/O Ports A and B	30
4.1.2 Details of I/O Port C	31
4.1.3 I/O Port Registers	34
4.2 TIMERS	35
4.2.1 Timer Operating Modes	36
4.2.2 Timer Status Control Registers (TSCR)	37
4.2.3 Timer Counter Registers (TCR)	37

Table of Contents

4.2.4	Timer Prescaler Registers (PSC)	37
4.3	A/D CONVERTER (ADC)	38
4.3.1	Application Notes	38
4.4	SYNC PROCESSOR	40
4.4.1	Event Counter	40
4.4.2	Period Counter	40
4.4.3	Polarity Detector	40
4.4.4	Output Polarity Control	40
4.4.5	Video Blanking Generator	41
4.5	14-BIT PWM D/A CONVERTER	44
4.5.1	Output Details	44
4.5.2	HDA Tuning Cell Registers	44
4.6	7-BIT PWM D/A CONVERTERS	45
4.6.1	Digital Outputs	45
4.7	SERIAL PERIPHERAL INTERFACES	46
4.7.1	SPI Modes	47
4.8	MIRROR REGISTER	51
4.9	XOR REGISTER	51
5	SOFTWARE	52
5.1	ST6 ARCHITECTURE	52
5.2	ADDRESSING MODES	52
5.3	INSTRUCTION SET	53
6	ELECTRICAL CHARACTERISTICS	58
6.1	ABSOLUTE MAXIMUM RATINGS	58
6.2	RECOMMENDED OPERATING CONDITIONS	58
6.3	DC ELECTRICAL CHARACTERISTICS	59
6.4	AC ELECTRICAL CHARACTERISTICS	60
7	GENERAL INFORMATION	61
7.1	PACKAGE MECHANICAL DATA	61
7.2	ORDERING INFORMATION	62

1 GENERAL DESCRIPTION

1.1 INTRODUCTION

ST6373 Microcontrollers are members of the 8-bit HCMOS ST637x family, a series of devices specially intended for Digitally Controlled Multi Frequency Monitor applications. All ST637x devices are based on a building block approach: a common core is surrounded by a combination of on-chip peripherals (macrocells) available from a standard library.

ST6373 devices are available in functionally identical ROM, OTP (ST63T73) and EPROM (ST63E73) versions, all with the same pinout. ROM devices are available with 8, 12 or 16K Program memory, whereas OTP and EPROM versions are both available in 16K versions only. For details relating to sales types, refer to Section 7.2.

Since ROM, OTP and EPROM versions are functionally identical, the present Datasheet will refer to the generic ST6373 device, except where specific versions differ in detail.

The ST6373 devices feature:

- Nine PWM outputs, which can be used as Digital to Analog converter outputs (with external RC filters). These are suitable for tuning and other functions.
- A PWM output with Bit Rate Multiplier, to which the above comments apply.
- An Event Counter especially designed to calculate the HSYNC (or HDRIV) Frequency, using one of the on-chip timers.

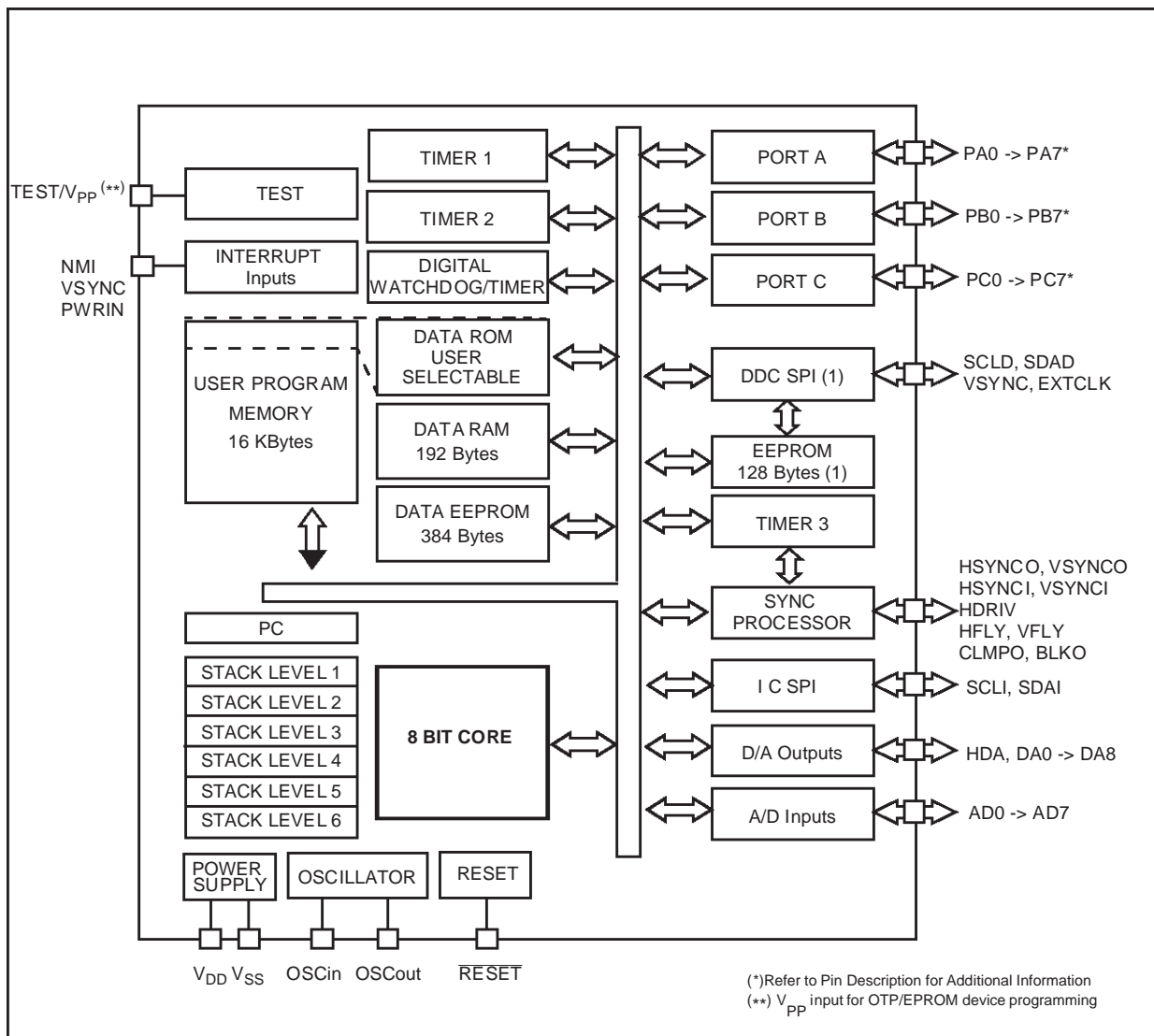
- A Period Counter especially designed to calculate the VSYNC Period.
- A Polarity Detector for HSYNC (or HDRIV) and VSYNC.
- HSYNC and VSYNC outputs with controlled polarity.
- Video Blanking and Clamping Outputs.
- Two I/O ports A & B usable for a keyboard wake-up feature since an interrupt input is on each of their pins.
- An Analog to Digital converter connected to port B which can be used to decode an analog keyboard or for AFC.
- A VSYNC input pin connected to an interrupt vector and to the DDC SPI for DDC1 protocol.
- An NMI input which can be used, for example, as a Remote Control input for a TV application.
- A hardware DDC SPI able to manage DDC1 (VSYNC as clock), DDC2B and DDC2AB (I²C BUS Multimaster and Slave). A 128-byte dedicated EEPROM memory is available for DDC1 and DDC2B.
- Hardware I²C SPI for internal monitor bus and to manage, for example, an OSD.
- A Mirror Register and a XOR Register are included to complement the basic ST6 instruction set.

Table 1. ST6373 Device Summary

DEVICE CONFIGURATION	Program Memory (Bytes)	RAM (Bytes)	EEPROM (Bytes)	A/D Inputs	14-bit D/ (PWM) Output	7-bit D/A (PWM) Output	EMULATING DEVICES
ST6373	8K ROM 12K ROM 16K ROM	192	512	8	1	9	ST63E73,ST63T73
ST63T73	16K OTP	192	512	8	1	9	-
ST63E73	16K EPROM	192	512	8	1	9	-

Note: See Ordering Information in Table 23 at the end of the Datasheet.

Figure 1. ST6373 Block Diagram



1.2 PIN DESCRIPTION

V_{DD} and V_{SS}. Power is supplied to the MCU using these two pins. V_{DD} is power and V_{SS} is the ground connection.

OSCI_n, OSCOUT. These pins are internally connected to the on-chip oscillator circuit. A quartz crystal or a ceramic resonator can be connected between these two pins in order to allow the correct operation of the MCU with various stability/cost trade-offs. The OSCIN pin is the input pin, the OSCOUT pin is the output pin.

RESET. The active low RESET pin is used to start the microcontroller to the beginning of its program. Additionally the quartz crystal oscillator will be disabled when the RESET pin is low to reduce power consumption during reset phase.

TEST. The TEST pin must be held at VSS for normal operation.

PA0, PA1, PA2/HSYNCO, PA3/VSYNCO, PA4/CLMPO, PA5/BLKO, PA6/SCLI, PA7/SDAI

– **Port A.** Software configurable as push-pull output, open-drain output, Schmitt trigger input with or without pull-up. Port A inputs can be also ORed into the INT1 interrupt. Port A outputs have a LED drive capability (10 mA). Pins PA2 and PA3 can be configured respectively as HSYNC and VSYNC outputs. Pins PA4 and PA5 can be configured respectively as CLAMP and BLANK Outputs. Pins PA6 and PA7 can be configured as the I²C SPI pins SCLI and SDAI. The push-pull output and the input pull-up options do not exist for these two pins. After reset the PA0 to PA5 pins are configured as inputs with pull-up.

PB0/AD0, PB1/AD1, PB2/AD2, PB3/AD3, PB4/AD4, PB5/AD5/HFLY, PB6/AD6/VFLY, PB7/AD7

– **Port B.** Each pin can be software configured as push-pull output, open-drain output, Schmitt trigger input with or without pull-up. Port B inputs can be also ORed into the INT1 interrupt. Pins PB5 and PB6 can be configured as HFLY and VFLY inputs. In addition, any pin of port B can be software selected as the Analog-to-Digital converter input. Only one pin should be selected at a time, otherwise a conflict would result. After reset the port B pins are configured as inputs with pull-up.

PC0/SCLD, PC1/SDAD, PC2, PC3/EXTCLK, PC4/PWRIN, PC5, PC6/HSYNC, PC7/HDRIV

– **Port C.** Software configurable as open-drain outputs or Schmitt trigger inputs with or without pull-ups. When configured as outputs, pins PC0 to PC3 are configured as 5V open-drain. Pins PC4

to PC7 are configured as open-drain 12V; the input pull-up option does not exist for these four pins. Pins PC0, PC1 and PC3 can be configured as the DDC SPI pins SCLD, SDAD and EXTCLK. The input pull-up option does not exist for PC0 and PC1. Pins PC6 and PC7 can be configured as HSYNC and HDRIV inputs. After reset: PC3 is configured as input with pull-up. PC0, PC1 & PC4 to PC7 are configured in input without pull-up. PC2 is in output mode with the value 1 (high impedance).

DA0-DA8. These pins are the nine PWM D/A outputs of the on-chip D/A converters. These lines have push-pull outputs with 5V drive. The output repetition rate is 31.25KHz (with 8MHz clock).

VSNC. This is the Vertical Synchronization pin. This pin is connected to an internal interrupt and is configured as input with pull-up and Schmitt trigger.

HDA. This is the output pin of the on-chip 14-bit PWM D/A Converter. This line is a push-pull output with standard drive.

NMI. This pin is the Non-Maskable interrupt input and is configured as input with pull-up and Schmitt trigger.

Figure 2. ST6373 Pin configuration

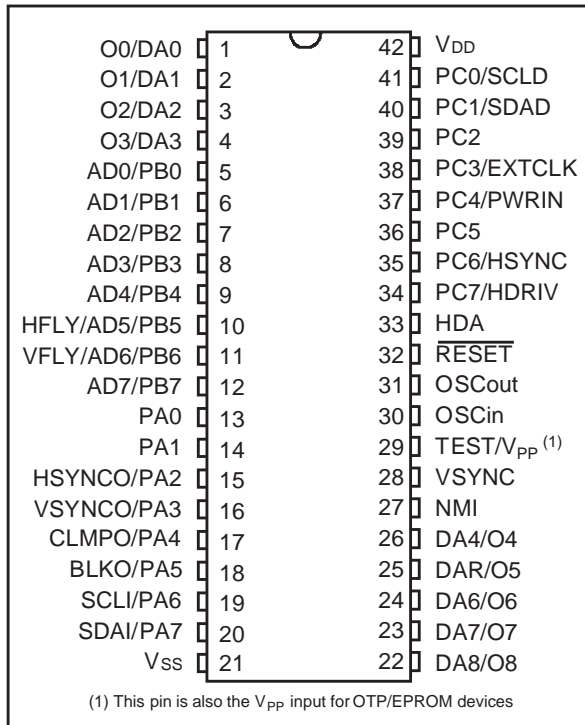


Table 2. Pin Summary

Pin Function	Description
DA0 to DA8	Output, Push-Pull
HDA	Output, Push-Pull
NMI	Input, Pull-up, Schmitt Trigger Input
VSYNC	Input, Pull-up, Schmitt Trigger
TEST	Input, Pull-Down
OSCI _n	Input, Resistive Bias, Schmitt Trigger to Reset Logic Only
OSCO _{ut}	Output, Push-Pull
RESET	Input, Pull-up, Schmitt Trigger Input
PA0-PA5	I/O, Push-Pull/Open Drain, Software Input Pull-up, Schmitt Trigger Input
PA6-PA7	I/O, Open-Drain, No Input Pull-up, Schmitt Trigger Input
PB0-PB7	I/O, Push-Pull/Open Drain, Software Input Pull-up, Schmitt Trigger Input, Analog Input
PC0-PC1	I/O, Open-Drain, No Input Pull-up, Schmitt Trigger Input
PC2-PC3	I/O, Open-Drain, 5V, Software Input Pull-up, Schmitt Trigger Input
PC4-PC7	I/O, Open-Drain, 12V, No Input Pull-up, Schmitt Trigger Input
V _{DD} , V _{SS}	Power Supply Pins

1.3 MEMORY SPACES

The MCU operates in three different memory spaces: Stack Space, Program Space and Data Space.

1.3.1 Stack Space

The stack space consists of six 12 bit registers that are used for stacking subroutine and interrupt return addresses plus the current program counter register.

1.3.2 Program Space

The program space is physically implemented in the ROM and includes all the instructions that are to be executed, as well as the data required for the immediate addressing mode instructions, the reserved test area and user vectors. It is addressed thanks to the 12-bit Program Counter register (PC register) and the ST6 Core can directly address up to 4K bytes of Program Space. Nevertheless, the Program Space can be extended by the addition of 2-Kbyte memory banks as it is shown in Figure 2, in which the 16K bytes memory is described. These banks are addressed by pointing to the 000h-7FFh locations of the Program Space thanks to the Program Counter, and by writing the appropriate code in the Program ROM Page Register (PRPR) located at address CAh in the Data Space. Because interrupts and common subroutines should be available all the time only the

lower 2K byte of the 4K program space are bank switched while the upper 2K byte can be seen as static space. Table 3 gives the different codes that allows the selection of the corresponding banks. Note that, from the memory point of view, the Page 1 and the Static Page represent the same physical memory: it is only a different way of addressing the same location.

Figure 3. 16K-Byte Program Space Addressing

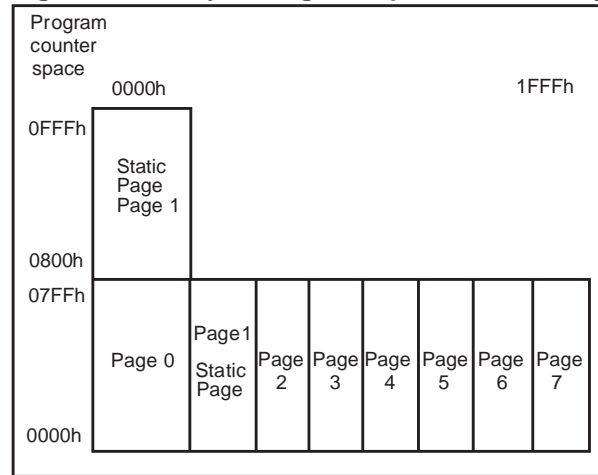
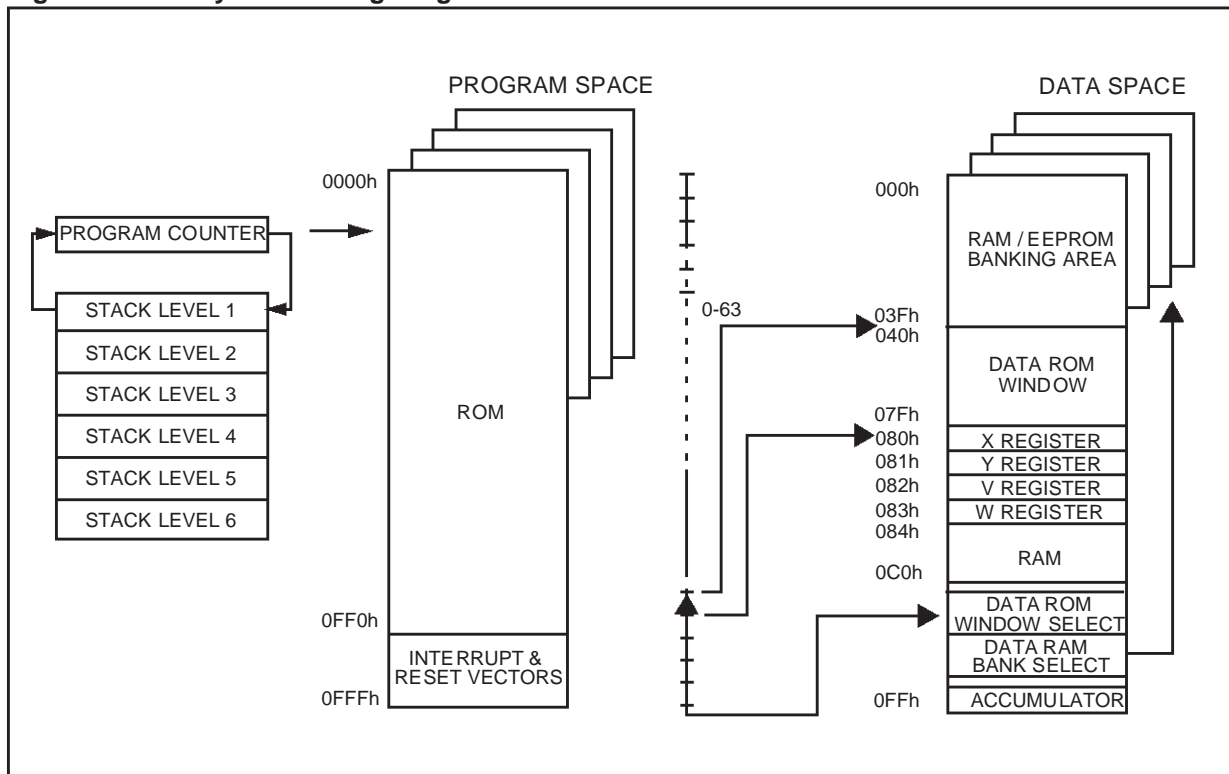


Figure 4. Memory Addressing Diagram



MEMORY SPACES (Cont'd)**Program ROM Page Register (PRPR)**

Address: CAh - Write only

Reset Value: XXh

7								0
-	-	-	-	-	PRPR2	PRPR1	PRPR0	

D7-D3. These bits are not used but have to be written to "0".

PRPR2-PRPR0. These are the program ROM banking bits and the value loaded selects the corresponding page to be addressed in the lower part of 4K program address space as specified in Table 3. This register is undefined on reset.

Note:

Only the lower part of address space has been bankswitched because interrupt vectors and common subroutines should be available all the time. The reason of this structure is due to the fact that it is not possible to jump from a dynamic page to another, unless jumping back to the static page, changing contents of PRPR, and, then, jumping to a different dynamic page.

Care is required when handling the PRPR as it is write only. For this reason, it is not allowed to change the PRPR contents while executing interrupts drivers, as the driver cannot save and then restore its previous content. Anyway, this operation may be necessary if the sum of common routines and interrupt drivers will take more than 2K bytes; in this case could be necessary to divide the interrupt driver in a (minor) part in the static page (start and end), and in the second (major) part in one dynamic page. If it is impossible to avoid the writing of this register in interrupts drivers, an image of this register must be saved in a RAM location, and each time the program writes the PRPR bit writes also the image register. The image register must be written first, so if an interrupt occurs between the two instructions the PRPR is not affected.

Table 3. Program Memory Page Register Coding

PRPR2	PRPR1	PRPR0	PC11	Memory Page
X	X	X	1	Static Page (Page 1)
0	0	0	0	Page 0
0	0	1	0	Page 1 (Static Page)
0	1	0	0	Page 2
0	1	1	0	Page 3
1	0	0	0	Page 4
1	0	1	0	Page 5
1	1	0	0	Page 6
1	1	1	0	Page 7

Table 4. ST6373 Program Memory Map

Program Memory Page	Device Address	Description ^{*)}
PAGE 0	0000h-007Fh 0080h-07FFh	Reserved User ROM
PAGE 1 "STATIC"	0800h-0F9Fh 0FA0h-0FEFh 0FF0h-0FF7h 0FF8h-0FFBh 0FFCh-0FFDh 0FFEh-0FFFh	User ROM Reserved Interrupt Vectors Reserved NMI Vector Reset Vector
PAGE 2	0000h-000Fh 0010h-07FFh	Reserved User ROM
PAGE 3	0000h-000Fh 0010h-07FFh	Reserved User ROM (End of 8K)
PAGE 4	0000h-000Fh 0010h-07FFh	Reserved User ROM
PAGE 5	0000h-000Fh 0010h-07FFh	Reserved User ROM (End of 12K)
PAGE 6	0000h-000Fh 0010h-07FFh	Reserved User ROM
PAGE 7	0000h-000Fh 0010h-07FFh	Reserved User ROM (End of 16K)

Note^{*)}: all reserved areas must be set to FFh in the ROM code.

MEMORY SPACES (Cont'd)

1.3.3 Data Space

The ST6 Core instruction set operates on a specific space, referred to as the Data Space, which contains all the data necessary for the program.

The Data Space allows the addressing of RAM (192 bytes), EEPROM (384 bytes plus 128 bytes for the DDC SPI), ST6 Core and peripheral registers, as well as read-only data such as constants and look-up tables.

Figure 5. Data Space

DATA RAM/EEPROM BANK AREA	000h	MIRROR REGISTER	0D9h
		TIMER 3 PRESCALER REGISTER	0DAh
	03Fh	TIMER 3 COUNTER REGISTER	0DBh
DATA ROM WINDOW AREA	040h	TIMER 3 STATUS/CONTROL REGISTER	0DCh
		EVENT COUNTER DATA REGISTER 1	0DDh
	07Fh	EVENT COUNTER DATA REGISTER 2	0DEh ^{*)}
X REGISTER	080h	SYNC PROCESSOR CONTROL REGISTER	0DFh ^{*)}
Y REGISTER	081h	D/A 0/4 DATA CONTROL REGISTER	0E0h ^{*)}
V REGISTER	082h	D/A 1/5 DATA CONTROL REGISTER	0E1h ^{*)}
W REGISTER	083h	D/A 2/6 DATA CONTROL REGISTER	0E2h ^{*)}
DATA RAM	084h	D/A 3/7 DATA CONTROL REGISTER	0E3h ^{*)}
	0BFh	D/A 8 DATA CONTROL REGISTER	0E4h ^{*)}
PORT A DATA REGISTER	0C0h	I C SPI CONTROL REGISTER 1	0E5h ^{*)}
PORT B DATA REGISTER	0C1h	I C SPI CONTROL REGISTER 2	0E6h ^{*)}
PORT C DATA REGISTER	0C2h	D/A BANK REGISTER	0E7h
RESERVED	0C3h	DATA RAM BANK REGISTER	0E8h
PORT A DIRECTION REGISTER	0C4h	DDC EEPROM CONTROL REGISTER	0E9h
PORT B DIRECTION REGISTER	0C5h	EEPROM CONTROL REGISTER	0EAh
PORT C DIRECTION REGISTER	0C6h	DDC SPI CONTROL REGISTER 1	0EBh
RESERVED	0C7h	DDC SPI CONTROL REGISTER 2	0ECh
INTERRUPT OPTION REGISTER	0C8h	NMI/PWRIN/VSYNC INTERRUPT REGISTER	0EDh
DATA ROM WINDOW REGISTER	0C9h	HDA DATA REGISTER 1	0EEh ^{*)}
PROGRAM ROM PAGE REGISTER	0CAh ^{*)}	HDA DATA REGISTER 2	0EFh ^{*)}
I C SPI DATA REGISTER	0CBh	PERIOD COUNTER DATA REGISTER	0F0h
DDC SPI DATA REGISTER	0CCh	PERIOD COUNTER 1 AND BLANK CTRL REG.	0F1h ^{*)}
PORT A OPTION REGISTER	0CDh	AUTO-COUNTER REGISTER	0F2h
PORT B OPTION REGISTER	0CEh	SCL LATCH AND DDC2B ADDRESS CTRL REG.	0F3h ^{*)}
RESERVED	0CFh	XOR REGISTER	0F4h
ADC RESULT REGISTER	0D0h		0F5h
ADC CONTROL REGISTER	0D1h ^{*)}	RESERVED	
TIMER 1 PRESCALER REGISTER	0D2h		0FEh
TIMER 1 COUNTER REGISTER	0D3h	ACCUMULATOR	0FFh
TIMER 1 STATUS/CONTROL REGISTER	0D4h		
TIMER 2 PRESCALER REGISTER	0D5h		
TIMER 2 COUNTER REGISTER	0D7h		
WATCHDOG REGISTER	0D8h		

**) These registers contain write only bits, in which case the bit operation instructions are not possible.*

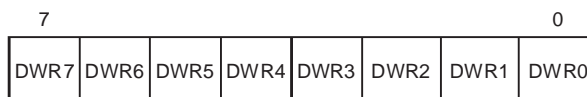
MEMORY SPACES (Cont'd)

Data ROM Addressing. All the read-only data are physically implemented in the ROM in which the Program Space is also implemented. The ROM therefore contains the program to be executed and also the constants and the look-up tables needed for the program. The locations of Data Space in which the different constants and look-up tables are addressed by the ST6 Core can be considered as being a 64-byte window through which it is possible to access to the read-only data stored in the ROM. This window is located from the 40h address to the 7Fh address in the Data space and allows the direct reading of the bytes from the 000h address to the 03Fh address in the ROM. All the bytes of the ROM can be used to store either instructions or read-only data. Indeed, the window can be moved by step of 64 bytes along the ROM in writing the appropriate code in the Write-only Data ROM Window register (DRWR, location C9h). The effective address of the byte to be read as a data in the ROM is obtained by the concatenation of the 6 less significant bits of the address in the Data Space (as less significant bits) and the content of the DRWR (as most significant bits). So when addressing location 40h of data space, and 0 is loaded in the DRWR, the physical addressed location in ROM is 00h.

Data ROM Window Register (DWR)

Address: C9h - Write only

Reset Value: XXh

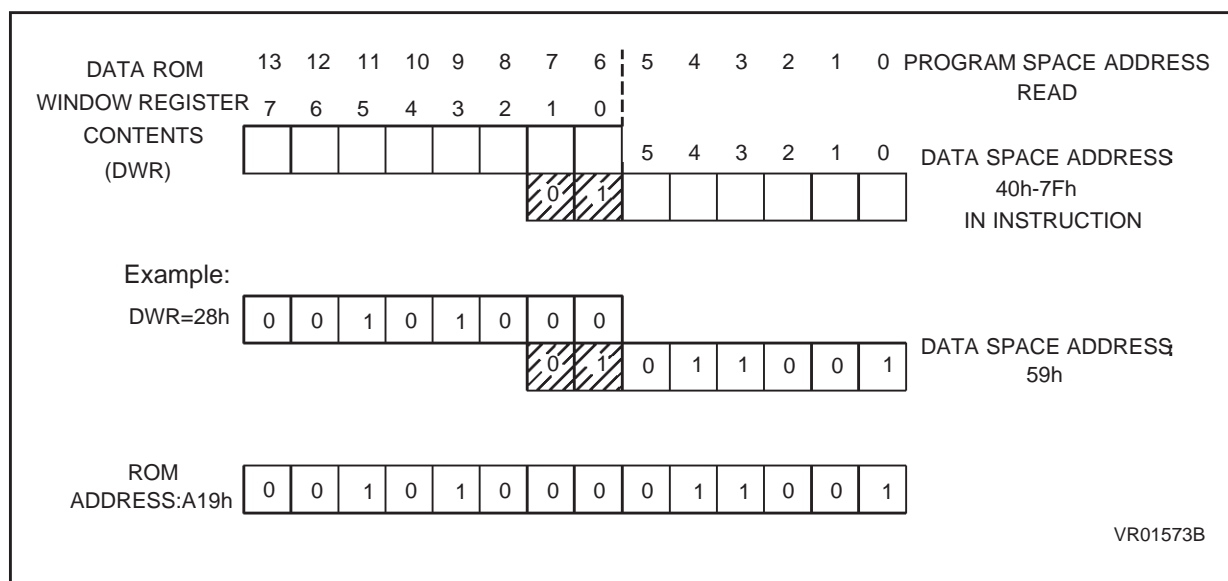


DWR7-DWR0. These are the Data Rom Window bits that correspond to the upper bits of data ROM program space. This register is undefined after reset.

Note:

Care is required when handling the DRWR as it is write only. For this reason, it is not allowed to change the DRWR contents while executing interrupts drivers, as the driver cannot save and then restore its previous content. If it is impossible to avoid the writing of this register in interrupts drivers, an image of this register must be saved in a RAM location, and each time the program writes the DRWR it writes also the image register. The image register must be written first, so if an interrupt occurs between the two instructions the DRWR register is not affected.

Figure 6. Data ROM Window Memory Addressing



MEMORY SPACES (Cont'd)

1.3.4 Data RAM/EEPROM

In the ST6373, 64 bytes of data RAM are directly addressable in the data space from 80h to BFh addresses. The additional 128 bytes of RAM, and the 384 + 128 bytes of EEPROM can be addressed using the 64-byte banks located between addresses 00H and 3Fh. Bank selection is carried out by programming the Data RAM Bank Register (DRBR) located at address E8h of the Data Space. In this way each bank of RAM or EEPROM can select 64 bytes at a time. No more than one bank should be set at a time.

Data RAM Bank Register (DRBR)

Address: E8h - Write only

Reset Value: XXh

7							0
DRBR 7	DRBR 6	DRBR 5	DRBR 4	DRBR 3	DRBR 2	DRBR 1	DRBR 0

DRBR6. This bit is reserved and must be held at "0".

DRBR5, DRBR4. Each of these bits, when set, will select one page of the EEPROM dedicated to the DDC SPI.

DRBR3, DRBR2. Each of these bits, when set, will select one RAM page.

DRBR7, DRBR1, DRBR0 These bits select the EEPROM pages.

This register is undefined after reset.

Table 5 summarizes how to set the Data RAM Bank Register in order to select the various banks or pages.

Note:

Care is required when handling the DRBR as it is write only. For this reason, it is not allowed to change the DRBR contents while executing interrupts drivers, as the driver cannot save and then restore its previous content. If it is impossible to avoid the writing of this register in interrupts drivers, an image of this register must be saved in a RAM location, and each time the program writes the DRBR it writes also the image register. The image register must be written first, so if an interrupt occurs between the two instructions the DRBR is not affected.

1.3.5 EEPROM Description

The data space of ST6373 devices, from 00h to 3Fh, is paged as described in Table 5. The 512 bytes of EEPROM are located in eight pages of 64 bytes (see Table 3 below).

Table 5. Data RAM Bank Register Set-up

DRBR Value		Selection
Hex.	Binary	
01h	0000 0001	EEPROM Page 0
02h	0000 0010	EEPROM Page 1
03h	0000 0011	EEPROM Page 2
04h	0000 0100	RAM Page 2
08h	0000 1000	RAM Page 3
10h	0001 0000	DDC EEPROM Page 0
20h	0010 0000	DDC EEPROM Page 1
81h	1000 0001	EEPROM Page 3
82h	1000 0010	EEPROM Page 4
83h	1000 0011	EEPROM Page 5

MEMORY SPACES (Cont'd)

By programming the Data RAM Bank Register, DRBR, the user can select the bank or page leaving unaffected the means of addressing the static registers. The way to address the “dynamic” page is to set the DRBR as described in Table 5 (e.g. to select EEPROM page 0, the DRBR has to be loaded with content 01h, see Data RAM/EEPROM addressing for additional information). Bits 0,1 and 4,5,7 of the DRBR are dedicated to the standard EEPROM and DDC EEPROM respectively.

The EEPROM pages do not require dedicated instructions to be accessed in reading or writing. The standard EEPROM is controlled by the EEPROM Control Register, EECR, the DDC EEPROM is controlled by the DDC EEPROM Control Register DEECR, in the same way. Any EEPROM location can be read just like any other data location, also in terms of access time.

To write an EEPROM location takes an average time of 5ms and during this time the EEPROM is not accessible by the Core. A busy flag can be read by the Core to know the EEPROM status before trying any access. In writing the EEPROM can work in two modes: Byte Mode (BMODE) and Parallel Mode (PMODE). The BMODE is the normal way to use the EEPROM and consists in accessing one byte at a time. The PMODE consists in accessing 8 bytes per time.

EEPROM Control Register (EECR)

Address: EAh - Read/Write

Reset Value: 00h

7							0
-	SB	Re-served	Re-served	PS	PE	BS	EN

DDC EEPROM Control Register (DDCEECR)

Address: E9h - Read/Write

Reset Value: 00h

7							0
-	SB	Re-served	Re-served	PS	PE	BS	EN

D7. Not used

SB. WRITE ONLY. If this bit is set the EEPROM is disabled (any access will be meaningless) and the power consumption of the EEPROM is reduced to the leakage values.

D5, D4. Reserved for testing purposes, they must be set to zero.

PS. SET ONLY. Once in Parallel Mode, as soon as the user software sets the PS bit the parallel writing of the 8 adjacent registers will start. PS is internally reset at the end of the programming procedure. Note that less than 8 bytes can be written; after parallel programming the remaining undefined bytes will have no particular content.

PE. WRITE ONLY. This bit must be set by the user program in order to perform parallel programming (more bytes per time). If PE is set and the “parallel start bit” (PS) is low, up to 8 adjacent bytes can be written at the maximum speed, the content being stored in volatile registers. These 8 adjacent bytes can be considered as row, whose A7, A6, A5, A4, A3 are fixed while A2, A1 and A0 are the changing bytes. PE is automatically reset at the end of any parallel programming procedure. PE can be reset by the user software before starting the programming procedure, leaving unchanged the EEPROM registers.

BS. READ ONLY. This bit will be automatically set by the CORE when the user program modifies an EEPROM register. The user program has to test it before any read or write EEPROM operation; any attempt to access the EEPROM while “busy bit” is set will be aborted and the writing procedure in progress completed.

EN. WRITE ONLY. This bit MUST be set to one in order to write any EEPROM register. If the user program will attempt to write the EEPROM when EN= “0” the involved registers will be unaffected and the “busy bit” will not be set.

Notes:

When the EEPROM is busy (BS = “1”) the EECR cannot be accessed in write mode, it is only possible to read BS status. This implies that, as long as the EEPROM is busy, it is not possible to change the status of the EEPROM control register. EECR bits 4 and 5 are reserved for test purposes, and must never be set.

MEMORY SPACES (Cont'd)

Additional Notes on Parallel Mode If the user wants to perform a parallel programming the first action should be the setting of the PE bit; from this moment, the first time the EEPROM will be addressed in writing, the ROW address will be latched and it will be possible to change it only at the end of the programming procedure or by resetting PE without programming the EEPROM.

After the ROW address latching the Core can "see" just one EEPROM row (the selected one) and any attempt to write or read other rows will produce errors. Do not read the EEPROM while PE is set.

As soon as PE bit is set, the 8 volatile ROW latches are cleared. From this moment the user can load data in the whole ROW or just in a subset. PS setting will modify the EEPROM registers corresponding to the ROW latches accessed after PE.

For example, if the software sets PE and accesses EEPROM in writing at addresses 18h,1Ah,1Bh and then sets PS, these three registers will be modified at the same time; the remaining bytes will have no particular content. Note that PE is internally reset at the end of the programming procedure. This implies that the user must set PE bit between two parallel programming procedures. Anyway the user can set and then reset PE without performing any EEPROM programming. PS is a set only bit and is internally reset at the end of the programming procedure. Note that if the user tries to set PS while PE is not set there will not be any programming procedure and the PS bit will be unaffected. Consequently PS bit can not be set if EN is low. PS can be affected by the user set if, and only if, EN and PE bits are also set to one.

1.4 MEMORY PROGRAMMING

1.4.1 Program Memory

The ST6373 OTP and EPROM MCUs can be programmed with a range of EPROM programming tools available from SGS-THOMSON.

EPROM/OTP programming mode is set by a +12.5V voltage applied to the TEST/V_{PP} pin. The programming flow is described in the User Manual of the EPROM Programming Tool.

1.4.2 Option Byte

The Option Byte allows OTP and EPROM versions to be configured to offer the same features available as mask options in ROM devices. The Option Byte's content is automatically read, and the selected options enabled on Reset.

The Option Byte can only be accessed during programming mode. Access is either automatic (copy from a master device) or by selecting the OPTION BYTE PROGRAMMING mode of the programmer.

The option byte is located in a non-user map. No address needs to be specified.

Option Byte

7							0
0	0	0	0	X	0	1	0

bit 3 = I2C Clock Speed

0 = 100KHz (default)

1 = 400KHz

All other bits must be programmed as shown in the register table above.

The Option byte is written during programming either by using the PC menu (PC driven Mode) or automatically (stand-alone mode).

1.4.3 Eprom Erasure

Thanks to the transparent window present in the EPROM package, its memory contents may be erased by exposure to UV light.

Erasure begins when the device is exposed to light with a wavelength shorter than 4000Å. It should be noted that sunlight, as well as some types of artificial light, includes wavelengths in the 3000-4000Å range which, on prolonged exposure, can cause erasure of memory contents. It is thus recommended that EPROM devices be fitted with an opaque label over the window area in order to prevent unintentional erasure.

The recommended erasure procedure for EPROM devices consists of exposure to short wave UV light having a wavelength of 2537Å. The minimum recommended integrated dose (intensity x exposure time) for complete erasure is 15Wsec/cm². This is equivalent to an erasure time of 15-20 minutes using a UV source having an intensity of 12mW/cm² at a distance of 25mm (1 inch) from the device window.

2 CENTRAL PROCESSING UNIT

2.1 INTRODUCTION

The CPU Core of ST6 devices is independent of the I/O or Memory configuration. As such, it may be thought of as an independent central processor communicating with on-chip I/O, Memory and Peripherals via internal address, data, and control buses. In-core communication is arranged as shown in Figure 1; the controller being externally linked to both the Reset and Oscillator circuits, while the core is linked to the dedicated on-chip peripherals via the serial data bus and indirectly, for interrupt purposes, through the control registers.

2.2 CPU REGISTERS

The ST6 Family CPU core features six registers and three pairs of flags available to the programmer. These are described in the following paragraphs.

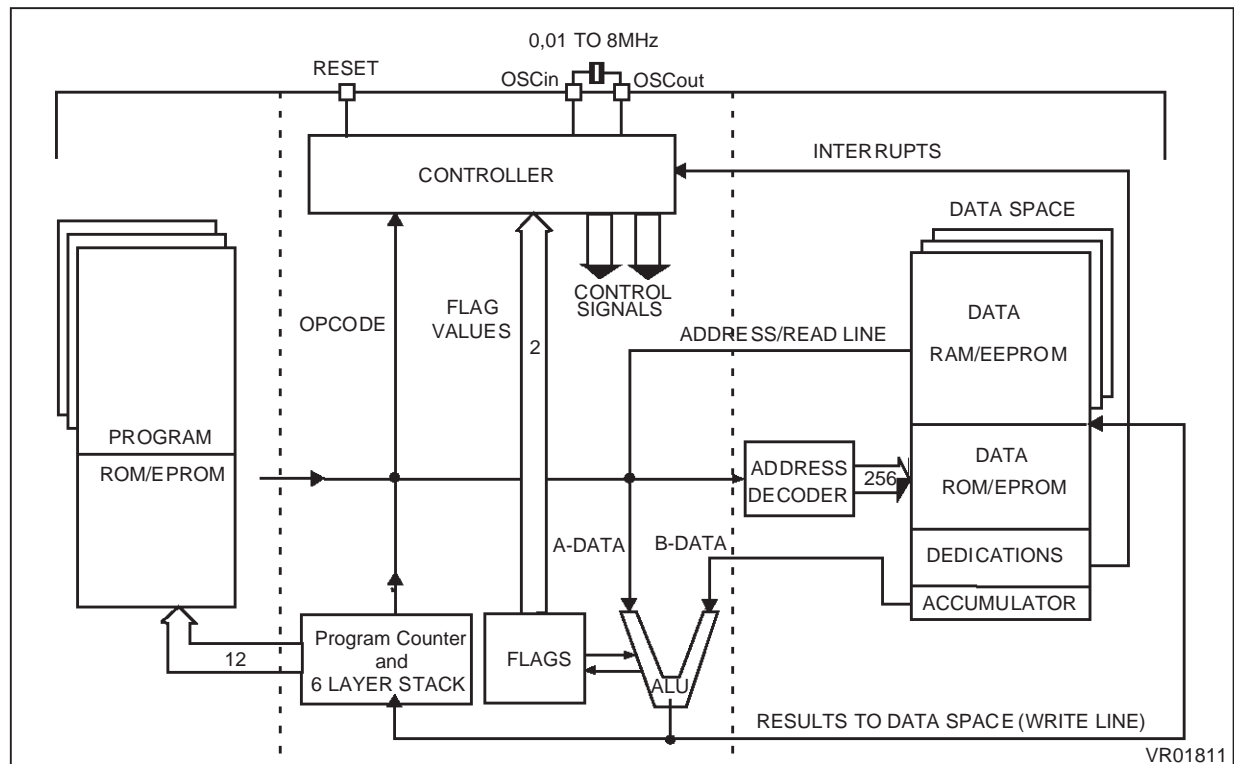
Accumulator (A). The accumulator is an 8-bit general purpose register used in all arithmetic calculations, logical operations, and data manipulations. The accumulator can be addressed in Data space as a RAM location at address FFh. Thus the ST6 can manipulate the accumulator just like any other register in Data space.

Indirect Registers (X, Y). These two indirect registers are used as pointers to memory locations in Data space. They are used in the register-indirect addressing mode. These registers can be addressed in the data space as RAM locations at addresses 80h (X) and 81h (Y). They can also be accessed with the direct, short direct, or bit direct addressing modes. Accordingly, the ST6 instruction set can use the indirect registers as any other register of the data space.

Short Direct Registers (V, W). These two registers are used to save a byte in short direct addressing mode. They can be addressed in Data space as RAM locations at addresses 82h (V) and 83h (W). They can also be accessed using the direct and bit direct addressing modes. Thus, the ST6 instruction set can use the short direct registers as any other register of the data space.

Program Counter (PC). The program counter is a 12-bit register which contains the address of the next ROM location to be processed by the core. This ROM location may be an opcode, an operand, or the address of an operand. The 12-bit length allows the direct addressing of 4096 bytes in Program space.

Figure 7. ST6 Core Block Diagram



CPU REGISTERS (Cont'd)

However, if the program space contains more than 4096 bytes, the additional memory in program space can be addressed by using the Program Bank Switch register.

The PC value is incremented after reading the address of the current instruction. To execute relative jumps, the PC and the offset are shifted through the ALU, where they are added; the result is then shifted back into the PC. The program counter can be changed in the following ways:

- JP (Jump) instruction PC=Jump address
- CALL instruction PC= Call address
- Relative Branch Instruction . PC= PC +/- offset
- Interrupt PC=Interrupt vector
- Reset PC= Reset vector
- RET & RETI instructions PC= Pop (stack)
- Normal instruction PC= PC + 1

Flags (C, Z). The ST6 CPU includes three pairs of flags (Carry and Zero), each pair being associated with one of the three normal modes of operation: Normal mode, Interrupt mode and Non Maskable Interrupt mode. Each pair consists of a CARRY flag and a ZERO flag. One pair (CN, ZN) is used during Normal operation, another pair is used during Interrupt mode (CI, ZI), and a third pair is used in the Non Maskable Interrupt mode (CNMI, ZNMI).

The ST6 CPU uses the pair of flags associated with the current mode: as soon as an interrupt (or a Non Maskable Interrupt) is generated, the ST6 CPU uses the Interrupt flags (resp. the NMI flags) instead of the Normal flags. When the RETI instruction is executed, the previously used set of flags is restored. It should be noted that each flag set can only be addressed in its own context (Non Maskable Interrupt, Normal Interrupt or Main routine). The flags are not cleared during context switching and thus retain their status.

The Carry flag is set when a carry or a borrow occurs during arithmetic operations; otherwise it is cleared. The Carry flag is also set to the value of the bit tested in a bit test instruction; it also participates in the rotate left instruction.

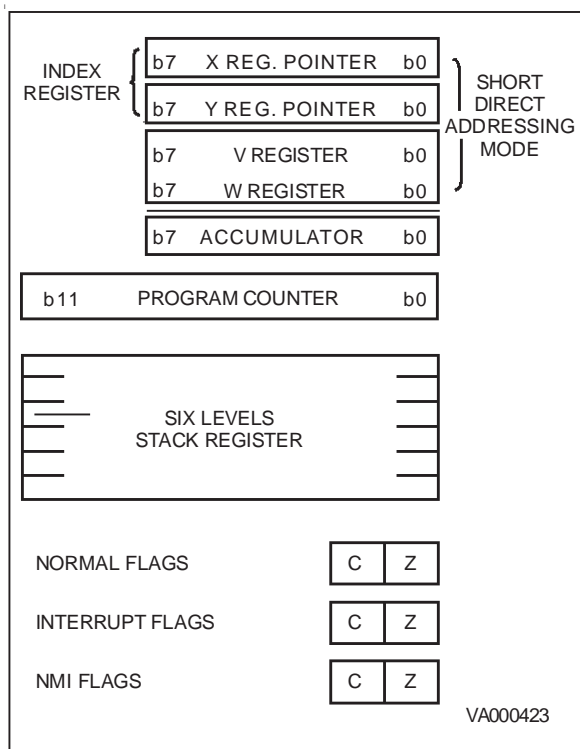
The Zero flag is set if the result of the last arithmetic or logical operation was equal to zero; otherwise it is cleared.

Switching between the three sets of flags is performed automatically when an NMI, an interrupt or a RETI instructions occurs. As the NMI mode is

automatically selected after the reset of the MCU, the ST6 core uses at first the NMI flags.

Stack. The ST6 CPU includes a true LIFO hardware stack which eliminates the need for a stack pointer. The stack consists of six separate 12-bit RAM locations that do not belong to the data space RAM area. When a subroutine call (or interrupt request) occurs, the contents of each level are shifted into the next higher level, while the content of the PC is shifted into the first level (the original contents of the sixth stack level are lost). When a subroutine or interrupt return occurs (RET or RETI instructions), the first level register is shifted back into the PC and the value of each level is popped back into the previous level. Since the accumulator, in common with all other data space registers, is not stored in this stack, management of these registers should be performed within the subroutine. The stack will remain in its "deepest" position if more than 6 nested calls or interrupts are executed, and consequently the last return address will be lost. It will also remain in its highest position if the stack is empty and a RET or RETI is executed. In this case the next instruction will be executed.

Figure 8. ST6 CPU Programming Mode



3 CLOCKS, RESET, INTERRUPTS AND POWER SAVING MODES

3.1 ON-CHIP CLOCK OSCILLATOR

The internal oscillator circuit is designed to require a minimum of external components. A crystal quartz, a ceramic resonator, or an external signal (provided to the OSCin pin) may be used to generate a system clock with various stability/cost trade-offs. The typical clock frequency is 8MHz. Please note that different frequencies will affect the operation of those peripherals (D/As, SPI) whose reference frequencies are derived from the system clock.

The different clock generator connection schemes are shown in Figure 1 and 2. One machine cycle takes 13 oscillator pulses; 12 clock pulses are needed to increment the PC while and additional 13th pulse is needed to stabilize the internal latches during memory addressing. This means that with a clock frequency of 8MHz the machine cycle is 1.625µSec.

The crystal oscillator start-up time is a function of many variables: crystal parameters (especially RS), oscillator load capacitance (CL), IC parameters, ambient temperature, and supply voltage. It must be observed that the crystal or ceramic leads and circuit connections must be as short as possible. Typical values for CL1 and CL2 are in the range of 15pF to 22pF but these should be chosen based on the crystal manufacturers specification. Typical input capacitance for OSCin and OSCout pins is 5pF.

The oscillator output frequency is internally divided by 13 to produce the machine cycle and by 12 to produce the Timers and the Watchdog clock. A byte cycle is the smallest unit needed to execute any operation (i.e., increment the program counter). An instruction may need two, four, or five byte cycles to be executed (See Table 1).

Table 6. Instruction Timing with 8MHz Clock

Instruction Type	Cycles	Execution Time
Branch if set/reset	5 Cycles	8.125µs
Branch & Subroutine Branch	4 Cycles	6.50µs
Bit Manipulation	4 Cycles	6.50µs
Load Instruction	4 Cycles	6.50µs
Arithmetic & Logic	4 Cycles	6.50µs
Conditional Branch	2 Cycles	3.25µs
Program Control	2 Cycles	3.25µs

Figure 9. Clock Generator Option 1

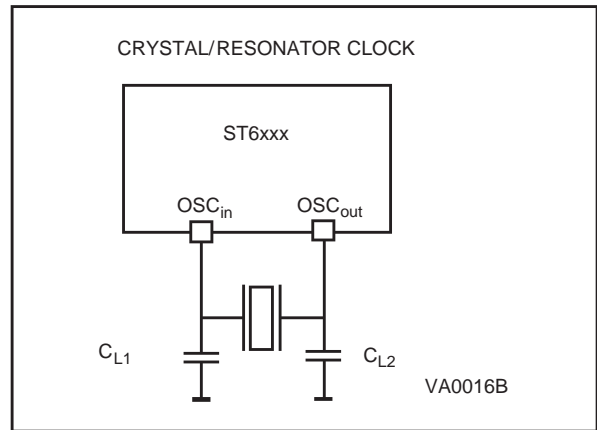


Figure 10. Clock Generator Option 2

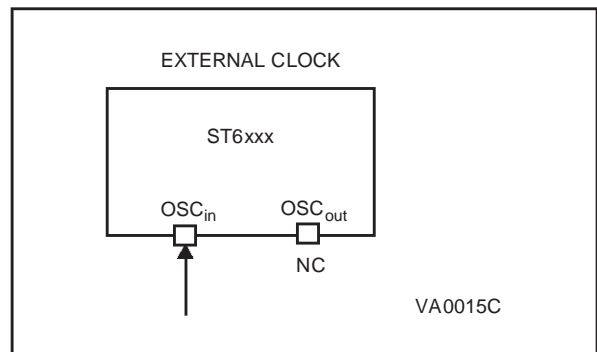
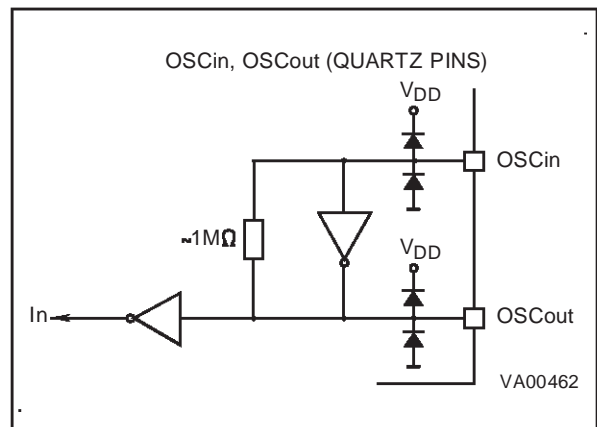


Figure 11. OSCin, OSCout Diagram



3.2 RESETS

The MCU can be reset in three ways:

- by the external Reset input being pulled low;
- by Power-on Reset;
- by the digital Watchdog peripheral timing out.

3.2.1 RESET Input

The RESET pin may be connected to a device of the application board in order to reset the MCU if required. The RESET pin may be pulled low in RUN, WAIT or STOP mode. This input can be used to reset the MCU internal state and ensure a correct start-up procedure. The pin is active low and features a Schmitt trigger input. The internal Reset signal is generated by adding a delay to the external signal. Therefore even short pulses on the RESET pin are acceptable, provided V_{DD} has completed its rising phase and that the oscillator is running correctly (normal RUN or WAIT modes). The MCU is kept in the Reset state as long as the RESET pin is held low.

If RESET activation occurs in RUN or WAIT modes, processing of the user program is stopped (RUN mode only), the Inputs and Outputs are configured as inputs with pull-up resistors if available. When the level on the RESET pin then goes high, the initialization sequence is executed following expiry of the internal delay period.

If RESET pin activation occurs in the STOP mode, the oscillator starts up and all Inputs and Outputs are configured as inputs with pull-up resistors if available. When the level of the RESET pin then goes high, the initialization sequence is executed following expiry of the internal delay period.

3.2.2 Power-on Reset

The function of the POR circuit consists in waking up the MCU at an appropriate stage during the power-on sequence. At the beginning of this sequence, the MCU is configured in the Reset state: all I/O ports are configured as inputs with pull-up resistors and no instruction is executed. When the power supply voltage rises to a sufficient level, the oscillator starts to operate, whereupon an internal delay is initiated, in order to allow the oscillator to fully stabilize before executing the first instruction. The initialization sequence is executed immediately following the internal delay.

The internal delay is generated by an on-chip counter. The internal reset line is released 2048 internal clock cycles after release of the external reset.

The internal POR device is a static mechanism which forces the reset state when V_{DD} is below a threshold voltage in the range 3.4 to 4.2 Volts (see Figure 1). The circuit guarantees that the MCU will

exit or enter the reset state correctly, without spurious effects, ensuring, for example, that EEPROM contents are not corrupted.

Note: This feature is not available on OTP/EPROM Devices.

Figure 12 Power ON/OFF Reset operation

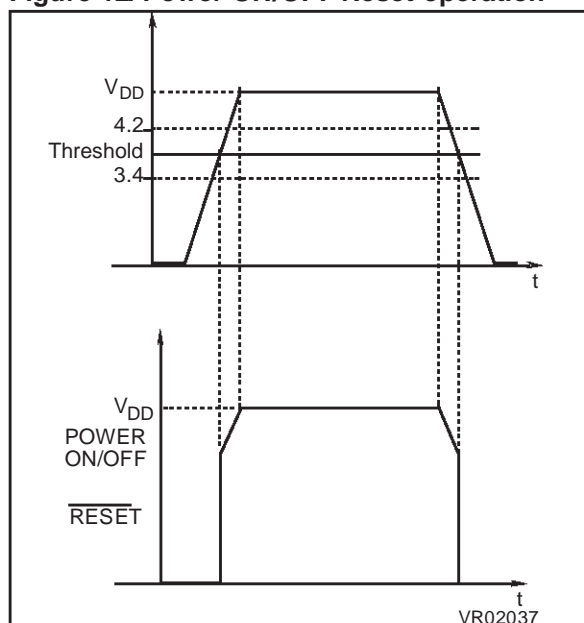
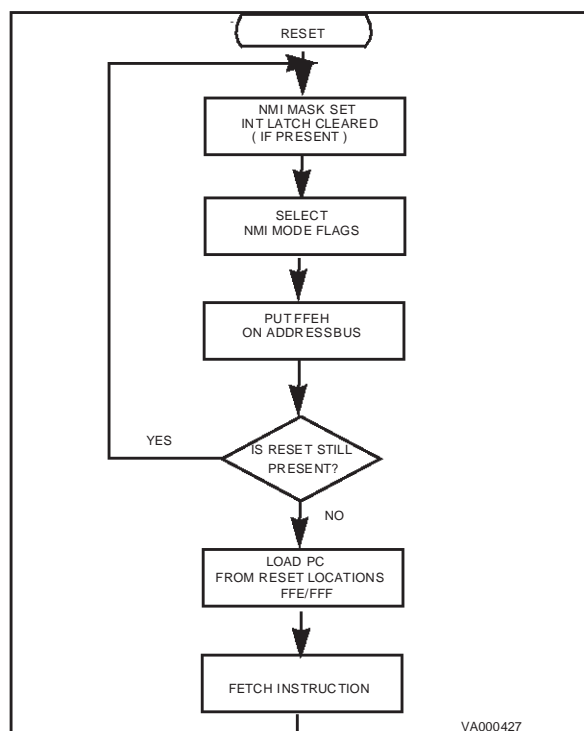


Figure 13. Reset and Interrupt Processing



RESETS (Cont'd)

3.2.3 Watchdog Reset

The MCU provides a Watchdog timer function in order to ensure graceful recovery from software upsets. If the Watchdog register is not refreshed before an end-of-count condition is reached, the internal reset will be activated. This, amongst other things, resets the watchdog counter.

The MCU restarts just as though the Reset had been generated by the RESET pin, including the built-in stabilisation delay period.

3.2.4 Application Note

No external resistor is required between V_{DD} and the Reset pin, thanks to the built-in pull-up device.

3.2.5 MCU Initialization Sequence

When a reset occurs the stack is reset, the PC is loaded with the address of the Reset Vector (located in program ROM starting at address 0FFEh). A jump to the beginning of the user program must be coded at this address. Following a Reset, the Interrupt flag is automatically set, so that the CPU is in Non Maskable Interrupt mode; this prevents the initialisation routine from being interrupted. The initialisation routine should therefore be terminated by a RETI instruction, in order to revert to normal

mode and enable interrupts. If no pending interrupt is present at the end of the initialisation routine, the MCU will continue by processing the instruction immediately following the RETI instruction. If, however, a pending interrupt is present, it will be serviced.

Figure 14. Reset and Interrupt Processing

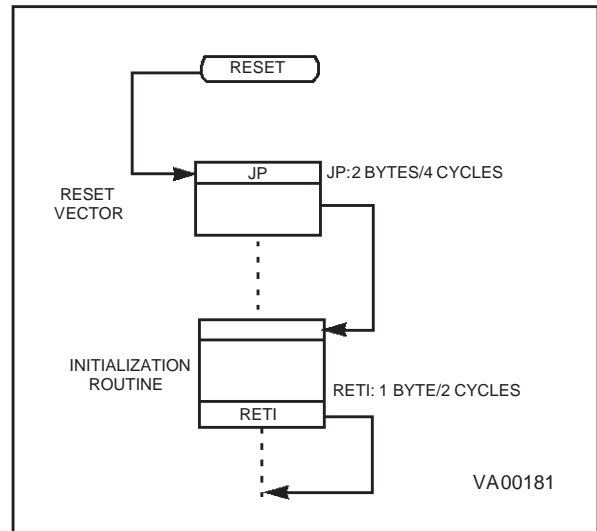
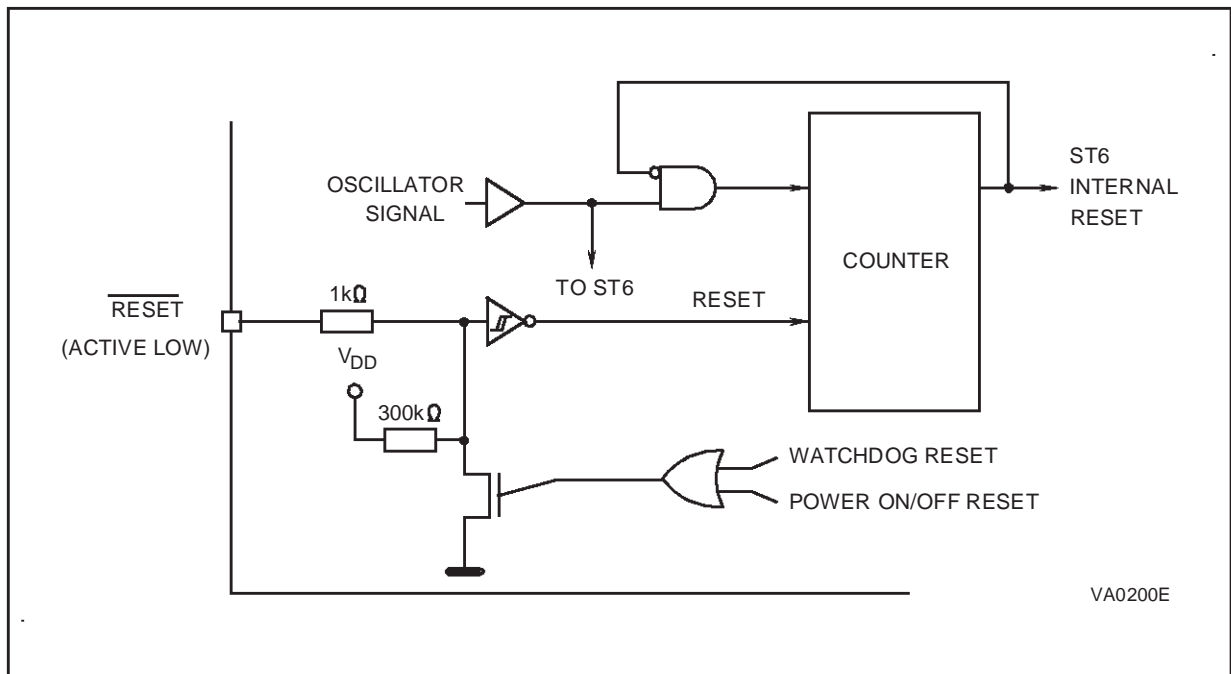


Figure 15. Reset Circuit



3.3 HARDWARE ACTIVATED DIGITAL WATCHDOG FUNCTION

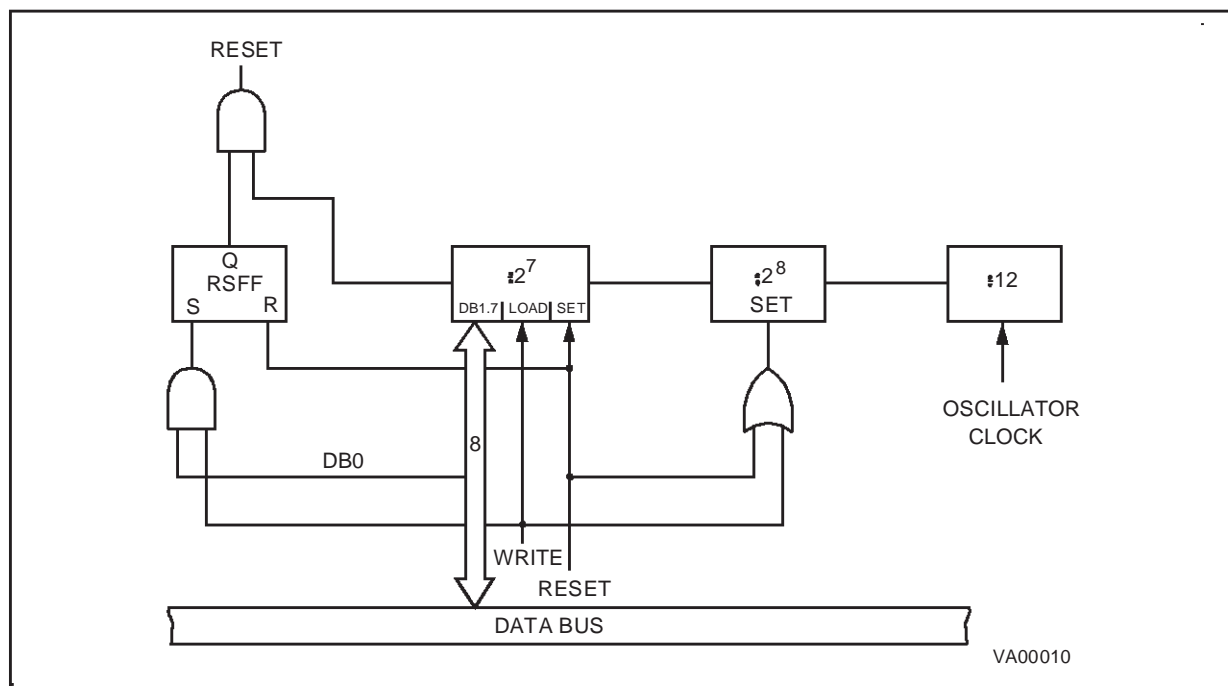
The hardware activated digital watchdog function consists of a down counter that is automatically initialized after reset so that this function does not need to be activated by the user program. As the watchdog function is always activated this down counter can not be used as a timer. The watchdog is using one data space register (HWDR location D8h). The watchdog register is set to FEh on reset and immediately starts to count down, requiring no software start. Similarly the hardware activated watchdog can not be stopped or delayed by software.

The watchdog time can be programmed using the 6 MSBs in the watchdog register, this gives the

possibility to generate a reset in a time between 3072 to 196608 oscillator cycles in 64 possible steps. (With a clock frequency of 8MHz this means from 384ms to 24.576ms). The reset is prevented if the register is reloaded with the desired value before bits 2-7 decrement from all zeros to all ones.

The presence of the hardware watchdog deactivates the STOP instruction and a WAIT instruction is automatically executed instead of a STOP. Bit 1 of the watchdog register (set to one at reset) can be used to generate a software reset if cleared to zero). Figure 1 shows the watchdog block diagram while Figure 2 shows its working principle.

Figure 16. Hardware Activated Watchdog Block Diagram



HARDWARE ACTIVATED DIGITAL WATCHDOG FUNCTION (Cont'd)

Hardware Activated Watchdog Register (HWDR)

Address: D8h - Read/Write

Reset Value: 0FEh

7							0
T1	T2	T3	T4	T5	T6	SR	C

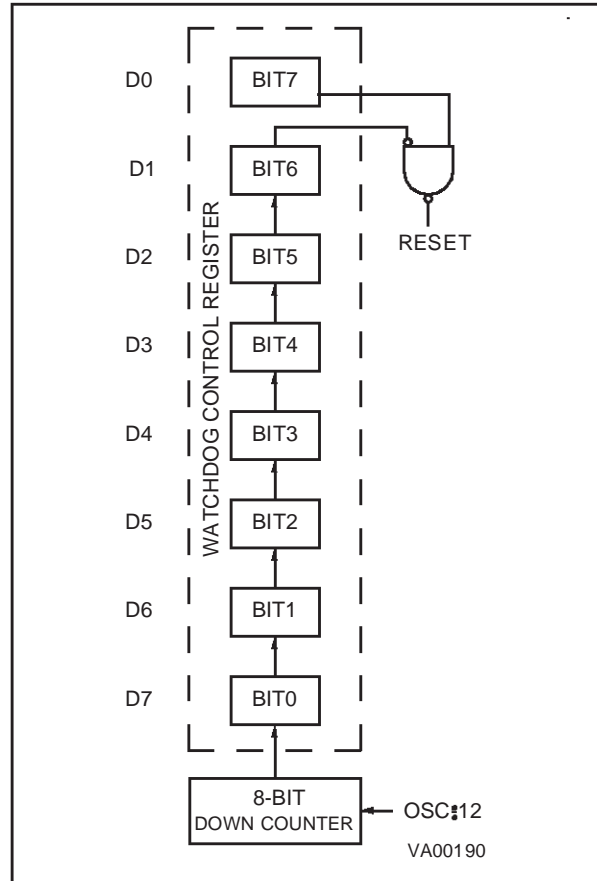
T1-T6. These are the watchdog counter bits. It should be noted that D7 (T1) is the LSB of the counter and D2 (T6) is the MSB of the counter, these bits are in the opposite order to normal.

SR. This bit is set to one during the reset phase and will generate a software reset if cleared to zero.

C. This is the watchdog activation bit that is hardware set. The watchdog function is always activated independently of changes of value of this bit.

The register reset value is FEh (Bit 1-7 set to one, Bit 0 cleared).

Figure 17. Hardware Activated Watchdog Working Principle



3.4 INTERRUPT

The MCU Core can manage 4 different maskable interrupt sources, plus one non-maskable interrupt source (top priority level interrupt). Each source is associated with a particular interrupt vector that contains a Jump instruction to the related interrupt service routine. Each vector is located in the Program Space at a particular address (see Table 7). When a source provides an interrupt request, and the request processing is also enabled by the MCU Core, then the PC register is loaded with the address of the interrupt vector (i.e. of the Jump instruction). Finally, the PC executes the Jump instruction and the interrupt routine is processed.

The relationship between vector and source and the associated priority is hardware fixed for ST6373 devices. For some interrupt sources it is also possible to select by software the kind of event that will generate the interrupt.

All interrupts can be disabled by writing to the GEN bit (global interrupt enable) of the interrupt option register (address C8h). Following a reset, the ST6373 is in non maskable interrupt mode, so no interrupts will be accepted and NMI flags will be used, until a RETI instruction is executed. If an interrupt is executed, one special cycle is made by the core, during that the PC is set to the related interrupt vector address. A jump instruction at this address has to redirect program execution to the beginning of the related interrupt routine. The interrupt detecting cycle, also resets the related interrupt flag (not available to the user), so that another interrupt can be stored for this current vector, while its driver is under execution.

If additional interrupts arrive from the same source, they will be lost. NMI can interrupt other interrupt routines at any time, while other interrupts cannot interrupt each other. If more than one interrupt is waiting for service, they are executed according to their priority. The lower the number, the higher the priority. Priority is, therefore, fixed. Interrupts are checked during the last cycle of an in-

struction (RETI included). Level sensitive interrupts have to be valid during this period.

Table 7 details the different interrupt vectors/sources relationships.

3.4.1 Interrupt Vectors/Sources

The MCU Core includes 5 different interrupt vectors in order to branch to 5 different interrupt routines. The interrupt vectors are located in the fixed (or static) page of the Program Space.

Table 7. Interrupt Vectors/Sources Relationships

Interrupt Source	Associated Vector	Vector Address
NMI pin	Interrupt Vector # 0 (NMI)	0FFCh-0FFDh
Timer 3 I/O Port A, I/O Port B	Interrupt Vector # 1	0FF6h-0FF7h
Timer 2 VSYNC, I ² C SPI	Interrupt Vector #2	0FF4h-0FF5h
Timer 1 DDC SPI	Interrupt Vector #3	0FF2h-0FF3h
ADC PWRIN	Interrupt Vector #4	0FF0h-0FF1h

The interrupt vector associated with the non-maskable interrupt source is named interrupt vector #0. It is located at the (FFCh, FFDh) addresses in the Program Space. This vector is associated with the NMI pin.

The interrupt vectors located at addresses (FF6h,FF7h), (FF4h,FF5h), (FF2h,FF3h), (FF0h,FF1h) are named interrupt vectors #1, #2, #3 and #4 respectively. These vectors are associated with TIMER 3, Port A and Port B interrupts (#1), Timer 2, VSYNC and I²C SPI (#2), TIMER 1 and the DDC SPI (#3) and the ADC and PC4 (PWRIN) (#4).

INTERRUPTS (Cont'd)

3.4.2 Interrupt Priority

The non-maskable interrupt request has the highest priority and can interrupt any other interrupt routines at any time, nevertheless the other interrupts cannot interrupt each other. If more than one interrupt request is pending, they are processed by the MCU Core according to their priority level: vector #1 has the higher priority while vector #4 the lower. The priority of each interrupt source is hardware fixed.

3.4.3 Interrupt Option Register

The Interrupt Option Register (IOR register, location C8h) is used to enable/disable the individual interrupt sources and to select the operating mode of the external interrupt inputs. This register is addressed in the Data Space as a RAM location at address C8h, nevertheless it is write-only register that can not be accessed with single-bit operations. The operating modes of the external interrupt inputs associated to interrupt vectors #1 and #2 are selected through bits 4 and 5 of the IOR register.

Interrupt Option Register (IOR)

Address: (C8h) - Write only

Reset Value: XX00XXXXb

7							0
-	EL1	ES2	GEN	-	-	-	-

D7. Not used.

EL1. This is the Edge/Level selection bit of interrupt #1. When set to one, the interrupt is generated on low level of the related signal; when cleared to zero, the interrupt is generated on falling edge. The bit is cleared to zero after reset.

ES2. This is the edge selection bit on interrupt #2. This bit is used in ST6373 devices for VSYNC detection, the interrupt for Timer 2 and the fC SPI. It is cleared to zero on reset (falling edge), and must be maintained at 0 if the Timer 2 and fC interrupts are to be used. The VSYNC interrupt may be configured to act on the falling edge (ES2=0) or rising edge (ES2=1) according to the system design.

GEN. This is the global enable bit. When set to one all interrupts are globally enabled; when this bit is cleared to zero all interrupts are disabled (excluding NMI) independently to the individual interrupt enable bit of each peripheral.

D3 - D0. These bits are not used.

NMI/PWR/VSync Interrupt Register (NPVIR)

7							0
D7	D6	D5	D4	D3	D2	D1	D0

b7: **VSYNCS**T: (Read & Write, 0 written on Reset)

b6: **VSYNCS**EN: (Read & Write, 0 written on Reset)

b5: **PWRFLA**G: (Read & Write, Undefined on Reset)

b4: **PWINT**EN: (Write Only, 0 written on Reset)

b3: **PWRE**DGE: (Write Only, 0 written on Reset)

b2: **NMIFLA**G: (Read & Write, Undefined on Reset)

b1: **NMINT**EN: (Write Only, 0 written on Reset)

b0: **NMI**EDGE: (Write Only, 0 written on Reset)

Note that NO bit operation instructions are possible.

The input latch is activated on either the positive or negative edge of the NMI (respectively PWRIN) signal: if NMIEDGE (resp. PWREDDGE) is high the latch will be triggered on the rising edge of the signal at NMI (resp. PWRIN); if this bit is low the latch will be triggered on the falling edge.

An interrupt can be generated if it is enabled: if NMINTEN (resp. PWINTEN) is high, then the output of the latch may generate an interrupt on vector #0 (resp. vector #4); if this bit is low the interrupt is disabled.

The status of the latch is read with NMIFLAG (resp. PWRFLAG): if NMIFLAG (resp. PWRFLAG) is high, a signal has been latched. The latch can be reset by setting NMIFLAG (resp. PWRFLAG).

The VSYNC input is linked to the interrupt vector #2 through a latch.

If 1 is written in VSYNCS T the latch will be triggered on the rising edge of the signal at VSYNC, if VSYNCS T is low the latch will be triggered on the falling edge (0 written on Reset).

An interrupt can be generated only if VSYNCS EN is at 1. Writing a 1 in VSYNCS EN will also reset the latch (0 written on Reset).

The status of the latch is read through the bit VSYNCS EN; reading a 1 means that a signal has been latched.

The status of the VSYNC pin is read with the VSYNCS T bit.

INTERRUPTS (Cont'd)

3.4.4 Interrupt Procedure

The interrupt procedure is very similar to a call procedure; the user can consider the interrupt as an asynchronous call procedure. As this is an asynchronous event the user does not know about the context and the time at which it occurred. As a result the user should save all the data space registers which will be used inside the interrupt routines. There are separate sets of processor flags for normal, interrupt and non-maskable interrupt modes which are automatically switched and so these do not need to be saved.

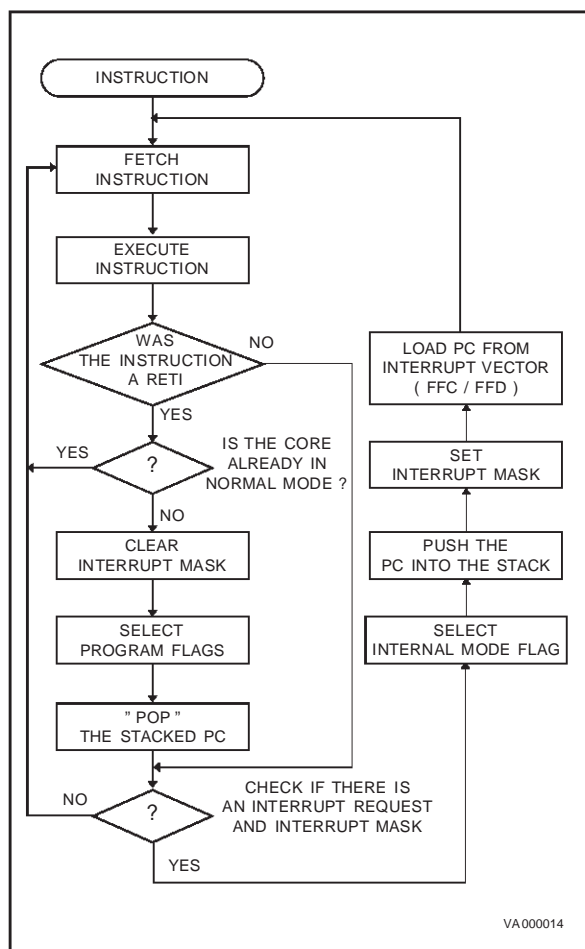
The following list summarizes the interrupt procedure (refer also to Figure 20. Interrupt Processing Flow Chart):

- Interrupt detection
- The flags C and Z of the main routine are exchanged with the flags C and Z of the interrupt routine (resp. the NMI flags)
- The value of the PC is stored in the first level of the stack - The normal interrupt lines are inhibited (NMI still active)
- The edge flip-flop is reset
- The related interrupt vector is loaded in the PC.
- User selected registers are saved inside the interrupt service routine (normally on a software stack)
- The source of the interrupt is found by polling (if more than one source is associated to the same vector)
- Interrupt servicing
- Return from interrupt (RETI)
- Automatically the MCU Core switches back to the normal flags (resp. the interrupt flags) and pops the previous PC value from the stack

The interrupt routine begins usually by the identification of the device that has generated the interrupt request. The user should save the registers which are used inside the interrupt routine (that holds relevant data) into a software stack.

After the RETI instruction execution, the Core carries out the previous actions and the main routine can continue.

Figure 18. Interrupt Processing Flow-Chart



3.4.5 ST6373 Interrupt Details

Interrupt #0. The NMI Interrupt is connected to the first interrupt #0 (NMI, Pin 27). If the NMI interrupt is disabled at the latch circuitry, then it will be high. The #0 interrupt input detects a high to low level. Note that once #0 has been latched, then the only way to remove the latched #0 signal is to service the interrupt. #0 can interrupt the other interrupts.

INTERRUPTS (Cont'd)

Interrupt #1. The TIMER 3 Interrupt and the Port A and B interrupts are connected by a logical AND function to interrupt #1 (0FF6h). The TIMER 3 interrupt generates a low level (which is latched in the timer) requiring that the Interrupt 1 Edge/Level bit is set to 1. The I/O Port A and B interrupts may be set to generate an interrupt on the falling edge or low level state of the input (EL1 = 1 or EL1 = 0 respectively) according to the external connections. Note that if a low level is maintained on an I/O bit configured as acting on a Low Level after the interrupt is generated, the MCU will return to the interrupt state after exiting the RETI instruction from the first interrupt service.

Interrupt #2. The VSYNC, Timer 2 and I²C SPI Interrupt are connected by a logical AND function to interrupt #2. Bit 5 of the interrupt option register C8h is used to select the negative edge (ES2=0) or the positive edge (ES2=1) to trigger the interrupt #2. For the correct operation of the Timer 2 and I²C SPI interrupts, the falling edge should be selected (ES2 = 0). For the VSYNC interrupt, either edge can be selected, depending on the operation required. For example if the rising edge on VSYNC is the trigger, and after receiving the interrupt edge, the VSYNC trigger level is switched to the falling edge, the time between the rising and falling edge (e.g. the display time) to be determined. The VSYNC interrupt is controlled in Register NPVIR at address EDh.

Note that once an edge has been latched, then the only way to remove the latched signal is to service the interrupt. Care must be taken not to generate spurious interrupts. For example, changing the edge selection bit from falling edge to rising edge when the VSYNC input is high (or disabled in NP-

VIR) will cause a spurious interrupt. (see Interrupt Circuit Diagram)

Interrupt #3. The TIMER 1 and DDC SPI Interrupt are connected by a logical AND function to interrupt #3. This interrupt is triggered on detection of a low level latched in the timer and DDC SPI.

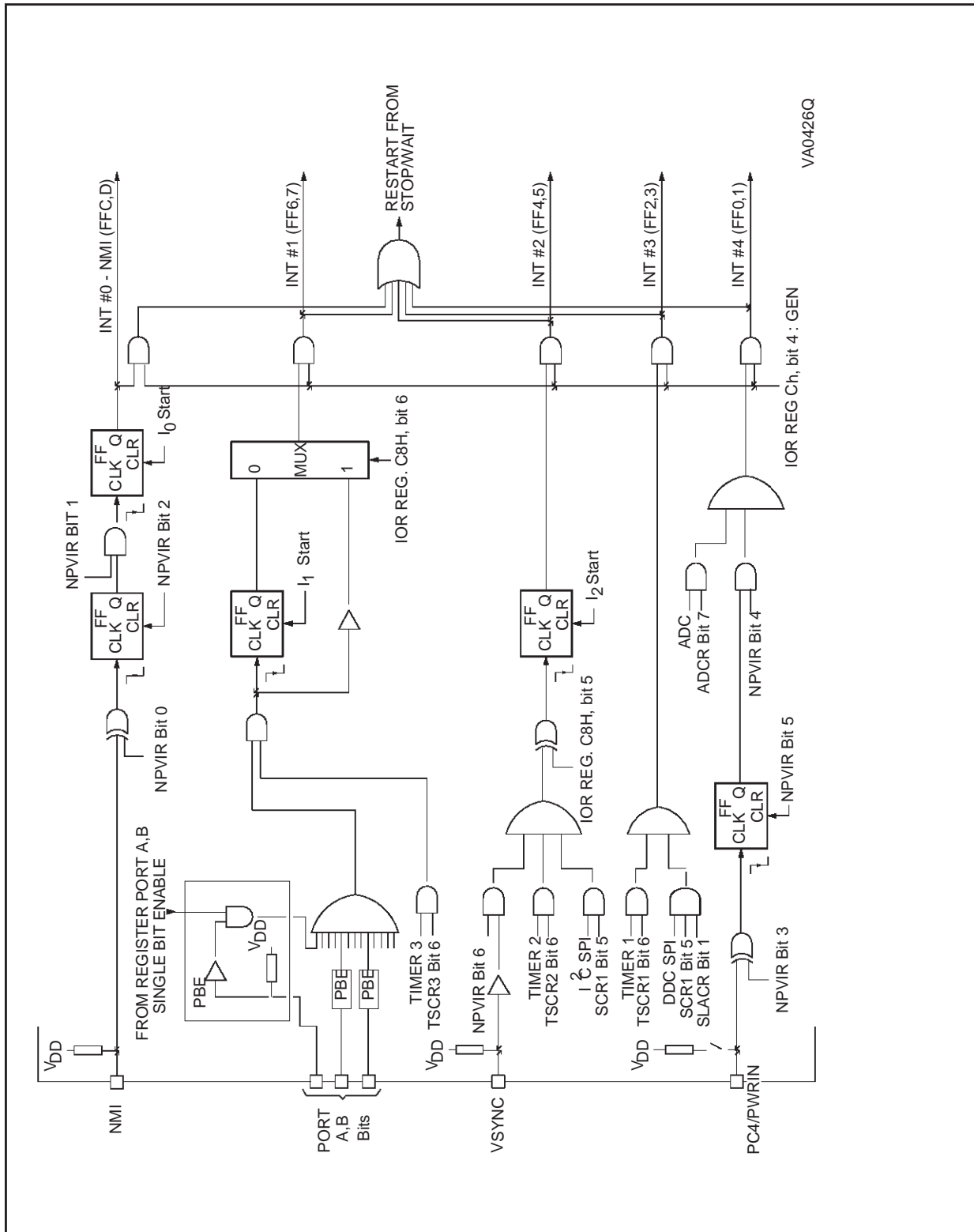
Interrupt #4. The PWRIN and Analog to Digital Converter Interrupts are connected by a Logical AND to interrupt #4 (0FF0h). The PWRIN interrupt is controlled through the NPVIR Register at address EDh, and the Phase Unlock interrupt is controlled through SPCR at address DFh. The #4 interrupt input detects a low level. A simple latch is provided from the PC4 (PWRIN) pin in order to generate the PWRINT signal. This latch can be triggered by either the positive or negative edge of the PWRIN signal (bit 3, PWREDGE, of register NPVIR EDh). The latch is reset by software.

Notes:

Global disable does not reset edge sensitive interrupt flags. These edge sensitive interrupts become pending again when global disabling is released. Moreover, edge sensitive interrupts are stored in the related flags also when interrupts are globally disabled, unless each edge sensitive interrupt is also individually disabled before the interrupting event happens. Global disable is done by clearing the GEN bit of Interrupt option register, while any individual disable is done in the control register of the peripheral. The on-chip Timer peripherals have an interrupt request flag bit (TMZ), this bit is set to one when the device wants to generate an interrupt request and a mask bit (ETI) that must be set to one to allow the transfer of the flag bit to the Core.

INTERRUPTS (Cont'd)

Figure 19. Interrupt Circuit Diagram



3.5 POWER SAVING MODES

STOP and WAIT modes have been implemented in the ST638x in order to reduce the current consumption of the device during idle periods. These two modes are described in the following paragraphs. Since the hardware activated digital watchdog function is present, the STOP instruction is de-activated and any attempt to execute it will cause the automatic execution of a WAIT instruction.

3.5.1 WAIT Mode

The configuration of the MCU in the WAIT mode occurs as soon as the WAIT instruction is executed. The microcontroller can also be considered as being in a “software frozen” state where the Core stops processing the instructions of the routine, the contents of the RAM locations and peripheral registers are saved as long as the power supply voltage is higher than the RAM retention voltage but where the peripherals are still working. The WAIT mode is used when the user wants to reduce the consumption of the MCU when it is in idle, while not losing count of time or monitoring of external events. The oscillator is not stopped in order to provide clock signal to the peripherals. The timers counting may be enabled (writing the PSI bit in TSCR1 register) and the timer interrupt may be also enabled before entering the WAIT mode; this allows the WAIT mode to be left when timer interrupt occurs. If the exit from the WAIT mode is performed with a general RESET (either from the activation of the external pin or by watchdog reset) the MCU will enter a normal reset procedure as described in the RESET chapter. If an interrupt is generated during WAIT mode the MCU behaviour depends on the state of the MCU Core before the initialization of the WAIT sequence, but also of the kind of the interrupt request that is generated. This case will be described in the following paragraphs. In any case, the MCU Core does not generate any delay after the occurrence of the interrupt because the oscillator clock is still available.

3.5.2 STOP Mode

Since the hardware activated watchdog is present on the ST638x, the STOP instruction has been de-activated. Any attempt to execute a STOP instruction will cause a WAIT instruction to be executed instead.

3.5.3 Exit from WAIT Mode

The following paragraphs describe the output procedure of the MCU Core from WAIT mode when an interrupt occurs. It must be noted that the restart sequence depends on the original state of the MCU (normal, interrupt or non-maskable interrupt

mode) before the start of the WAIT sequence, but also of the type of the interrupt request that is generated. In all cases the GEN bit of IOR has to be set to 1 in order to restart from WAIT mode. Contrary to the operation of NMI in the run mode, the NMI is masked in WAIT mode if GEN=0.

Normal Mode. If the MCU Core was in the main routine when the WAIT instruction has been executed, the Core exits from WAIT mode as soon as an interrupt occurs; the corresponding interrupt routine is executed, and at the end of the interrupt service routine, the instruction that follows the WAIT instruction is executed if no other interrupts are pending.

Non-maskable Interrupt Mode If the WAIT instruction has been executed during the execution of the non-maskable interrupt routine, the MCU Core outputs from WAIT mode as soon as any interrupt occurs: the instruction that follows the WAIT instruction is executed and the MCU Core is still in the non-maskable interrupt mode even if another interrupt has been generated.

Normal Interrupt Mode. If the MCU Core was in the interrupt mode before the initialization of the WAIT sequence, it outputs from the wait mode as soon as any interrupt occurs. Nevertheless, two cases have to be considered:

- If the interrupt is a normal interrupt, the interrupt routine in which the WAIT was entered will be completed with the execution of the instruction that follows the WAIT and the MCU Core is still in the interrupt mode. At the end of this routine pending interrupts will be serviced in accordance to their priority.
- If the interrupt is a non-maskable interrupt, the non-maskable routine is processed at first. Then, the routine in which the WAIT was entered will be completed with the execution of the instruction that follows the WAIT and the MCU Core is still in the normal interrupt mode.

Notes:

If all the interrupt sources are disabled, the restart of the MCU can only be done by a Reset activation. The Wait instruction is not executed if an enabled interrupt request is pending. In ST638x devices, the hardware activated digital watchdog function is present. As the watchdog is always activated, the STOP instruction is de-activated and any attempt to execute the STOP instruction will cause an execution of a WAIT instruction.

4 ON-CHIP PERIPHERALS

4.1 I/O PORTS

The ST6373 microcontroller uses three I/O ports (A,B,C) with up to eight pins on each port. Each line can be individually programmed either in the input mode or the output mode with the following software selectable options:

- Input without interrupt and without pull-up (Ports A, B and C)
- Input with pull-up and with interrupt (PA0-PA5 and Port B)
- Input with pull-up without interrupt (PA0-PA5 and Port B, PC2-PC7)
- Analog Inputs (PB0-PB7)
- Open-drain output 12V, no pull-up (PC4-PC7)
- Open-drain output 5V (PA0-PA7, PB0-PB7, PC0-PC3)
- Push-pull output (PA0-PA5, PB0-PB7)
- SPI control signals (PA6,PA7 for f_c SPI, PC0,PC1,PC3 for DDC SPI)
- Horizontal Timing inputs (PC6/HSYNC, PC7/HDRIV)
- External Power In Interrupt (PC4)

The lines are organized in three ports (Ports A, B, C). The ports occupy 8 registers in the data space. Each bit of these registers is associated with a particular line (for instance, the bits 0 of the Port A Data, Direction and Option registers are associated with the PA0 line of Port A).

The three Data registers (DRA, DRB, DRC) are used to read the voltage level values of the lines programmed in the input mode, or to write the logic value of the signal to be output on the lines configured in the output mode. The port Data Registers can be read to get the effective logic levels of the pins, but they can be also written by the user software, in conjunction with the related Data Direction Register and Option Register (Ports A and B only), to select the different input mode options.

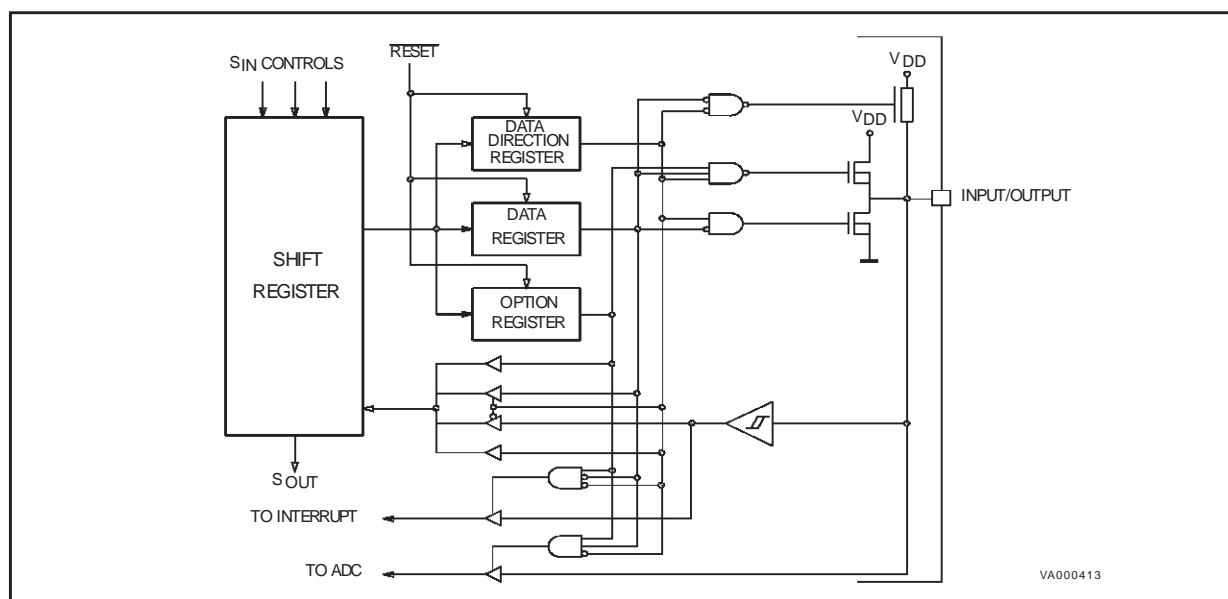
Single-bit operations on I/O registers (bit set/reset instructions) are possible but care is necessary because reading in input mode is made from I/O pins and therefore might be influenced by the external load, while writing will directly affect the Port data register causing an undesired changes of the input configuration.

The three Data Direction registers (DDRA, DDRB, DDRC) allow the selection of the direction of each pin (input or output).

The two Option registers (ORA and ORB) are used to select the different port options available both in input and in output mode for Ports A and B only.

All the I/O registers can be read or written as any other RAM location of the data space, so no extra RAM cell is needed for port data storing and manipulation. During the initialization of the MCU, all the I/O registers are cleared and the input mode with pull-up is selected on all the pins thus avoiding pin conflicts (with the exception of PC2 which is set to output mode with the value 1 (high impedance).

Figure 20. I/O Port Block Diagram (PA0-PA5 and Port B)



I/O PORTS (Cont'd)

4.1.1 Details of I/O Ports A and B

Each pin of Ports A and B can be individually programmed as input or output with different input and output configurations.

This is achieved by writing the relevant bit in the data register (DR), data direction register (DDR) and option register (OR). Table 8 shows all the port configurations that can be selected by user software.

4.1.1.1 Input Option Description

Pull-up, High Impedance Option All the input lines can be individually programmed with or without an internal pull-up according to the codes programmed in the OR and DR registers. If the pull-up

is not selected, the input pin is in the high impedance state.

Interrupt Option. All the input lines can be individually connected by software to the interrupt lines of the MCU core according to the codes programmed in the OR and DR registers. The pins of Port A and B are "ORed" and are connected to the interrupt associated to the vector #1.

Analog Input Option The PB0-PB7 pins can be configured to be analog inputs according to the codes programmed in the OR and DR registers. These analog inputs are connected to the on-chip 8-bit Analog to Digital Converter. ONLY ONE pin should be programmed as analog input at a time, otherwise the selected inputs will be shorted.

Table 8. I/O Port Options Selection (Ports A and B only)

DDR	OR	DR	Mode	Option
0	0	0	Input	With pull-up, no interrupt (Reset state)
0	0	1	Input	No pull-up, no interrupt
0	1	0	Input	With pull-up, with interrupt
0	1	1	Input	No pull-up, no interrupt (Port A pins)
			Input	Analog input (Port B pins)
1	0	X	Output	Open-drain output (10mA sink current for Port A pins)
1	1	X	Output	Push-pull output (10mA sink current for Port A pins)

Note X: Means don't care.

I/O PORTS (Cont'd)

4.1.1.2 Output Option Description

Output Option

Port A and B pins in output modes can be set to Open Drain or Push-Pull modes (not for PA6 and PA7). Port A bits set to output have a maximum 10mA current sink LED drive capability.

4.1.1.3 I²C SPI Input/Output

If the user uses the I²C serial peripheral interface, the I/O lines PA6 and PA7 should be set in output mode with the open-drain configuration; the corresponding data bit must set to one.

Note. Switching the I/O ports with interrupt (Ports A and B) from one state to another should be done in a way that no unwanted side effects can happen. The recommended safe transitions are shown below. All other transitions are risky and should be avoided during change of operation mode as it is most likely that there will be an unwanted side-effect such as interrupt generation or two pins shorted together by the analog input lines.

Single bit instructions (SET, RES, JRR and JRS) should be used very carefully with Port A and B data registers because these instructions make an implicit read and write back of the whole addressed register byte. In port input mode however data register address reads from input pins, not from data register latches and data register information in input mode is used to set characteristics of the input pin (interrupt, pull-up, analog input),

therefore these characteristics may be unintentionally reprogrammed, depending on the state of input pins. As general rule is better to use single bit instructions on data register only when the whole port is in output mode. If input or mixed configuration is needed it is recommended to keep a copy of the data register in RAM. On this copy it is possible to use single bit instructions, then the copy register could be written into the port data register.

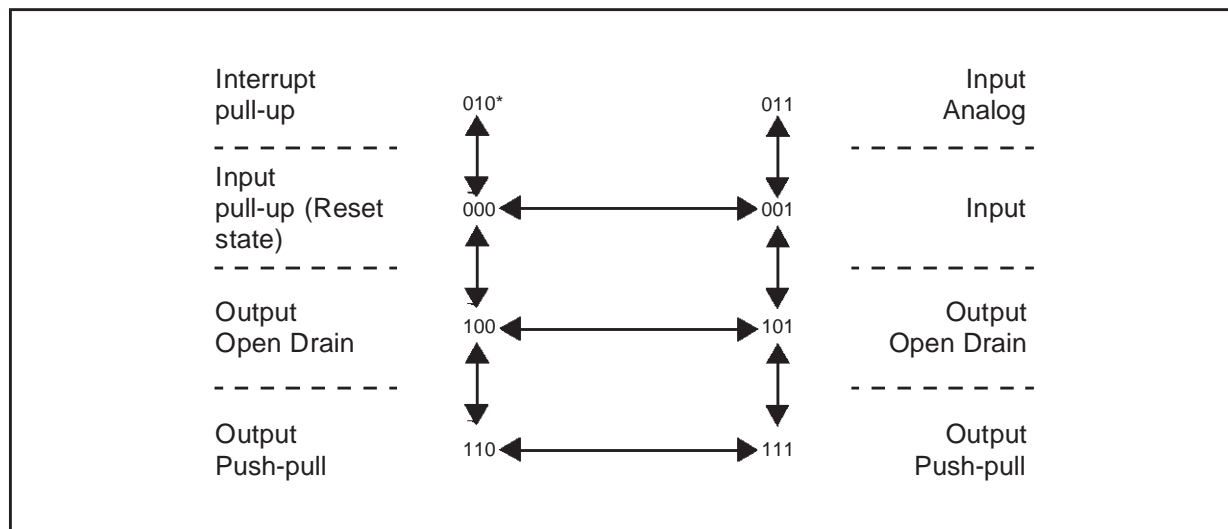
```
SET      bit, datacopy
LD       a, datacopy
LD       DRA, a
```

4.1.2 Details of I/O Port C

Port C. When programmed as an input an internal pull-up can be switched active under program control. When programmed as an output the Port C I/O pins will operate in the open-drain mode. PC0-PC3 are available as open-drain capable of withstanding a maximum VDD+0.3V. PC4-PC7 are available as open-drain capable of withstanding 12V and have no resistive pull-up in input mode.

If the user uses the DDC serial peripheral interface, the I/O lines PC0 and PC1 should be set in output mode while the open-drain configuration is hardware fixed; the corresponding data bit must set to one. If the latched interrupt functions are used (HSYNC, (HSYNC, HDRIVE, PWRIN) then the corresponding pins should be set to input mode.

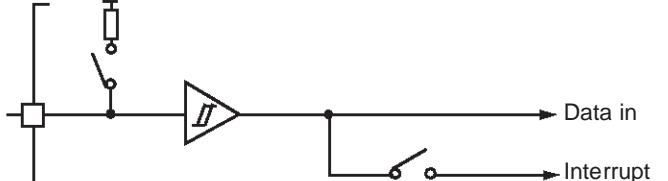
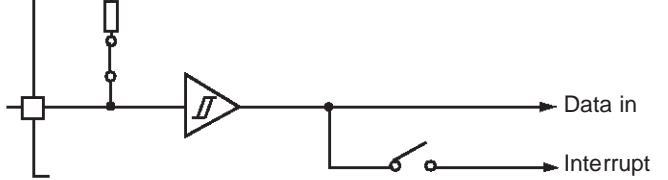
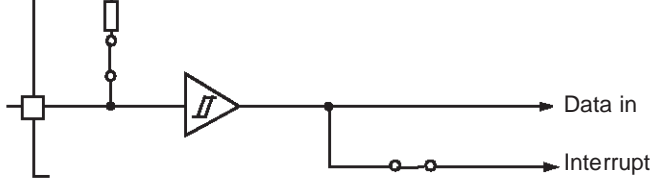

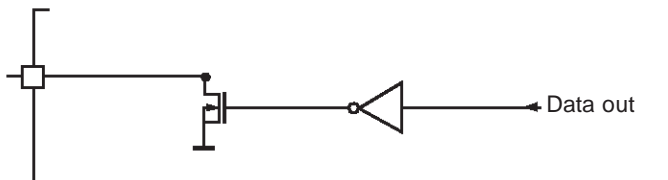
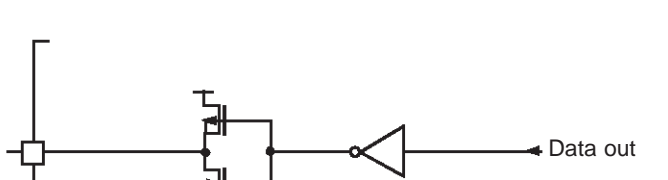
Figure 21. State Transition Diagram for Safe Transitions (Ports A and B)



Note*.xxx = DDR, OR, DR bits respectively

I/O PORTS (Cont'd)

Table 9. I/O Port Option Selections

MODE	AVAILABLE ON ⁽¹⁾	SCHEMATIC
Input	PA0-PA7 PB0-PB7 PC0-PC7	
Input with pull up	PA0-PA5 PB0-PB7 PC2, PC3	
Input with pull up with interrupt	PA0-PA5 PB0-PB7	
Analog Input	PB0-PB7	
Open drain output 5mA / $V_{DD} \pm 0.3V$ Open drain output 10mA / $V_{DD} \pm 0.3V$ Open drain output 5mA / 12V	PB0-PB7 PC0-PC7 PA0-PA7 PC4-PC7	
Push-pull output 5mA Push-pull output 10mA	PB0-PB7 PA0-PA5	

Note 1. Provided the correct configuration has been selected.

I/O PORTS (Cont'd)

4.1.2.1 Port C I/O Pin Programming

Each Port C pin can be individually programmed as input or output. This is achieved by writing to the relevant bit in the data (DRC) and data direction register (DDRC). Table 9 shows all the port configurations that can be selected by the user software.

4.1.2.2 Port C Input/Output Configurations

The following schematics show the I/O lines hardware configuration for the different options. Figure 31 shows the I/O configuration for an I/O pin with open-drain 12V capability (standard drive and high drive). Figure 32 shows the I/O configuration for an I/O pin with open-drain 5V capability.

Note:

All the Port A, B and C I/O lines have Schmitt-trigger input configuration with a typical hysteresis of 1V.

Table 10. I/O Port Options Selection (Port C)

DDR	DR	Mode	Option
0	0	Input	With on-chip pull-up resistor
0	1	Input	Without on-chip pull-up resistor
1	X	Output	Open-drain

Note: X. Means don't care.

Figure 22. I/O Configuration Diagram (Open Drain 12V)

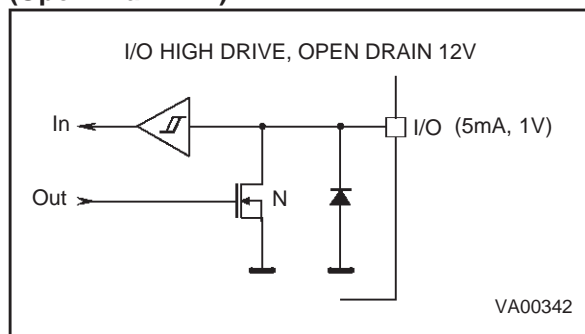
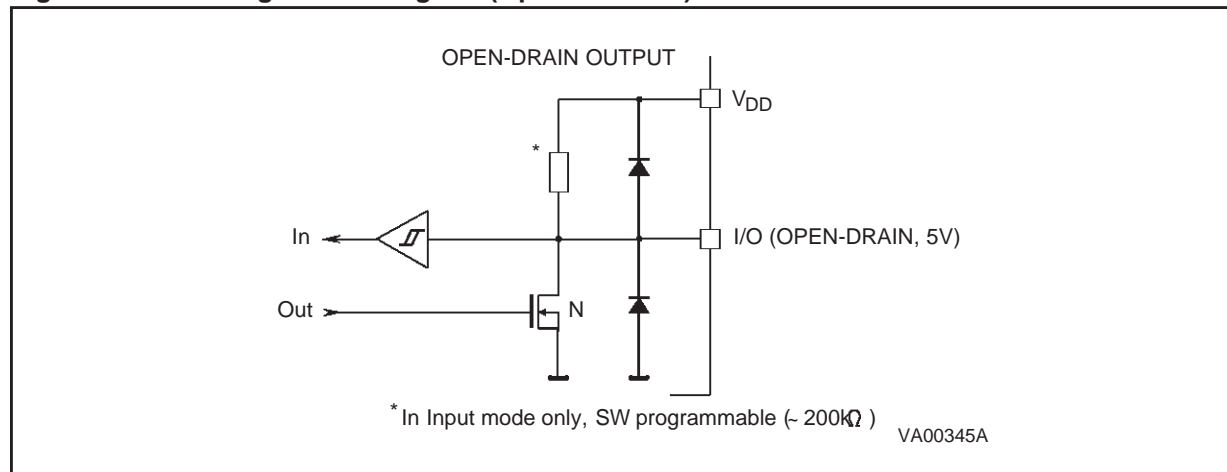


Figure 23. I/O Configuration Diagram (Open Drain 5V)



4.1.3 I/O Port Registers

4.1.3.1 Data Registers

Ports A, B, C Data Register

Address: C0h (PA), C1h (PB), C2h (PC) - Read/Write

Reset Value: 00h

7							0
PA/PB /PC7	PA/PB /PC6	PA/PB /PC5	PA/PB /PC4	PA/PB /PC3	PA/PB /PC2	PA/PB /PC1	PA/PB /PC0

PA7-PA0. These are the I/O Port A data bits. Reset at power-on.

PB7-PB0. These are the I/O Port B data bits. Reset at power-on.

PC7-PC0. These are the I/O Port C data bits. Set to 04H at power-on. Bit 2 (PC2 pin) is set to one (open-drain therefore high impedance).

4.1.3.2 Data Direction Registers

Ports A, B, C Data Direction Register

Address: C4h (PA), C5h (PB), C6h (PC) - Read/Write

Reset Value: 00h

7							0
PA/PB /PC7	PA/PB /PC6	PA/PB /PC5	PA/PB /PC4	PA/PB /PC3	PA/PB /PC2	PA/PB /PC1	PA/PB /PC0

PA7-PA0. These are the I/O Port A data direction bits. When a bit is cleared to zero the related I/O line is in input mode, if bit is set to one the related I/O line is in output mode. Reset at power-on.

PB7-PB0. These are the I/O Port B data direction bits. When a bit is cleared to zero the related I/O

line is in input mode, if bit is set to one the related I/O line is in output mode. Reset at power-on.

PC7-PC0. These are the I/O Port C data direction bits. When a bit is cleared to zero the related I/O line is in input mode, if bit is set to one the related I/O line is in output mode. Set to 04H at power-on. Bit 2 (PC2 pin) is set to one (output mode selected).

4.1.3.3 Option Registers

Port A, B, C Option Register

Address: CCh (PA), CDh (PB) - Read/Write

Reset value:00h

7							0
PA/PB7	PA/PB6	PA/PB5	PA/PB4	PA/PB3	PA/PB2	PA/PB1	PA/PB0

PA7-PA0. These are the I/O Port A option bits. These are set in conjunction with the corresponding data and data direction bits to set the individual Port A bit I/O mode.

PB7-PB0. These are the I/O Port B option bits. These are set in conjunction with the corresponding data and data direction bits to set the individual Port B bit I/O mode.

Notes: The WAIT instruction allows the MCU to be used in situations where low power consumption is required. This can only be achieved, however, if the I/O pins are programmed as inputs with well defined logic levels or have no power consuming resistive loads in output mode.

Single-bit operations on I/O registers are possible but care is necessary because reading in input mode is from I/O pins while writing will directly affect the Port data register.

4.2 TIMERS

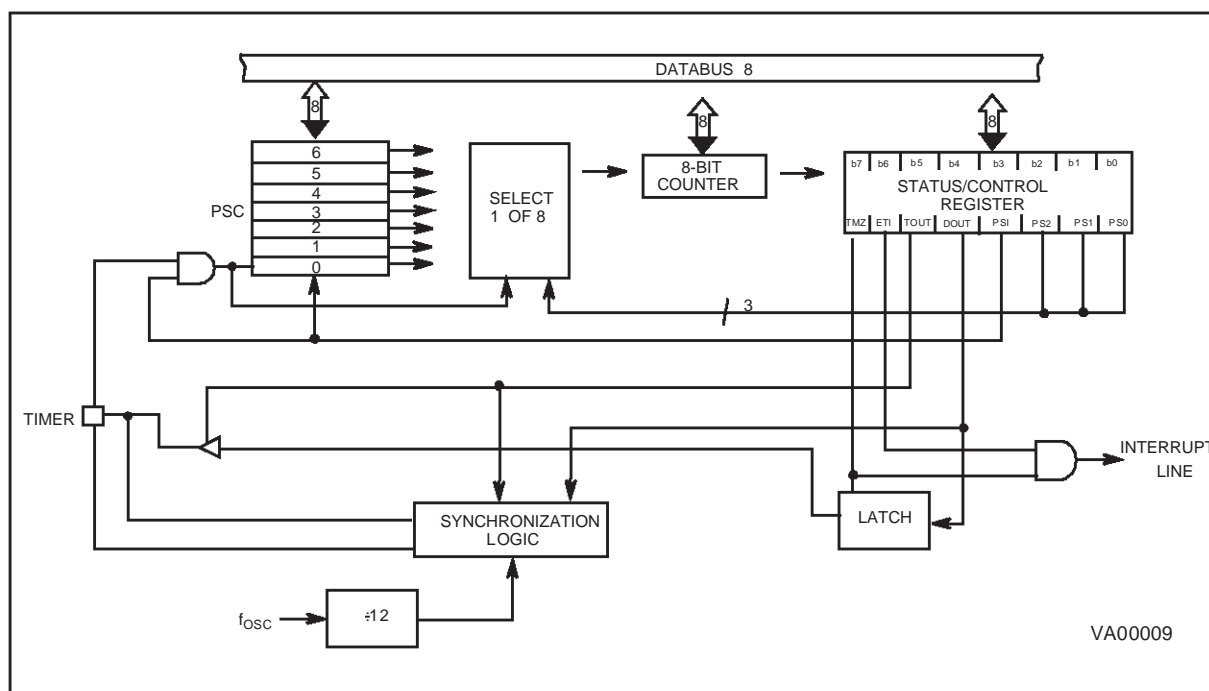
The ST638x devices offer two on-chip Timer peripherals consisting of an 8-bit counter with a 7-bit programmable prescaler, thus giving a maximum count of 2^{15} , and a control logic that allows configuration the peripheral operating mode. Figure 1 shows the Timer block diagram. The content of the 8-bit counters can be read/written in the Timer/Counter registers TCR that are addressed in the data space as RAM locations at addresses D3h (Timer 1), DBh (Timer 2). The state of the 7-bit prescaler can be read in the PSC register at addresses D2h (Timer 1) and DAh (Timer 2). The control logic is managed by TSCR registers at D4h (Timer 1) and DCh (Timer 2) addresses as described in the following paragraphs.

The following description applies to all Timers. The 8-bit counter is decremented by the output (rising edge) coming from the 7-bit prescaler and can be loaded and read under program control. When it decrements to zero then the TMZ (timer zero) bit in the TSCR is set to one. If the ETI (enable timer interrupt) bit in the TSCR is also set to one an interrupt request, associated to interrupt vector #3 for Timer 1 and #1 for Timer 2, is generated. The interrupt of the timer can be used to exit the MCU from the WAIT mode.

The prescaler decrements on rising edge. The prescaler input is the oscillator frequency divided by 12. Depending on the division factor programmed by PS2/PS1/PS0 (see Table 1) bits in the TSCR, the clock input of the timer/counter register is multiplexed to different sources. On division factor 1, the clock input of the prescaler is also that of timer/counter; on factor 2, bit 0 of prescaler register is connected to the clock input of TCR.

This bit changes its state with the half frequency of prescaler clock input. On factor 4, bit 1 of PSC is connected to clock input of TCR, and so on. On division factor 128, the MSB bit 6 of PSC is connected to clock input of TCR. The prescaler initialize bit (PSI) in the TSCR register must be set to one to allow the prescaler (and hence the counter) to start. If it is cleared to zero then all of the prescaler bits are set to one and the counter is inhibited from counting. The prescaler can be given any value between 0 and 7Fh by writing to the related register address, if bit PSI in the TSCR register is set to one. The tap of the prescaler is selected using the PS2/PS1/PS0 bits in the control register. Figure 2 illustrates the Timer working principle.

Figure 24. Timer Peripheral Block Diagram



TIMERS (Cont'd)

4.2.1 Timer Operating Modes

Since in the ST638x devices the external TIMER pin is not connected, the only allowed operating mode is the output mode, which is selected by setting bit 4 and by clearing bit 5 in the TSCR1 register. This procedure will enable Timer 1 and Timer 2.

Output Mode (TSCR1 D4 = 1, TSCR1 D5 = 0) On this mode the timer prescaler is clocked by the prescaler clock input (OSC/12). The user can select the desired prescaler division ratio through the PS2/PS1/PS0 bits. When TCR count reaches 0, it sets the TMZ bit in the TSCR.

The TMZ bit can be tested under program control to perform timer functions whenever it goes high. Bits D4 and D5 on TSCR2 (Timer 2) register are not implemented.

Timer Interrupt

When the counter register decrements to zero and the software controlled ETI (enable timer interrupt) bit is set to one then an interrupt request associated to interrupt vector #3 (for Timer 1), to interrupt

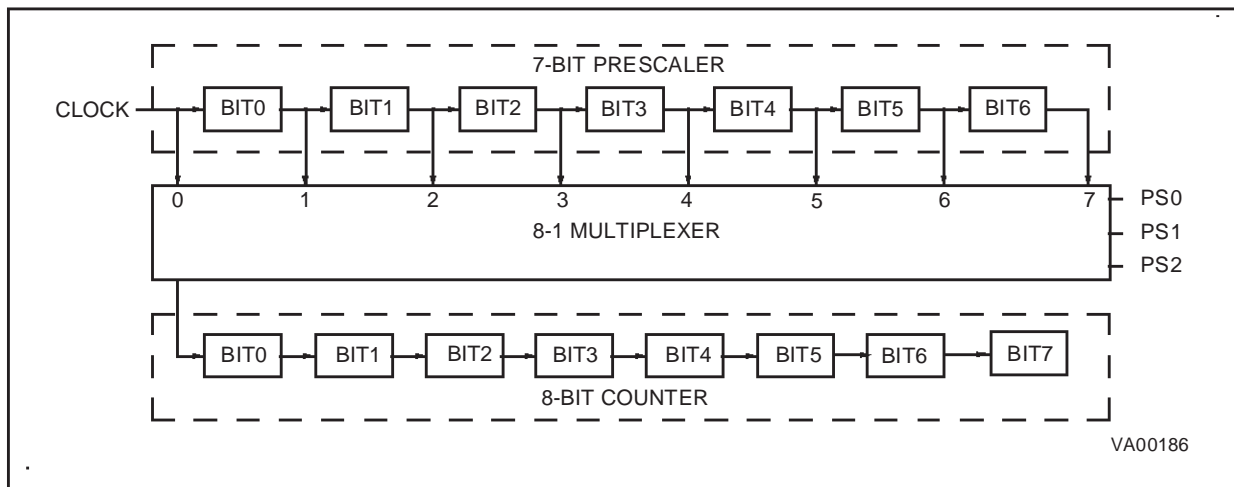
vector #1 (for Timer 2) is generated. When the counter decrements to zero also the TMZ bit in the TSCR register is set to one.

Notes:

TMZ is set when the counter reaches 00h; however, it may be set by writing 00h in the TCR register or setting the bit 7 of the TSCR register. TMZ bit must be cleared by user software when servicing the timer interrupt to avoid undesired interrupts when leaving the interrupt service routine. After reset, the 8-bit counter register is loaded to FFh while the 7-bit prescaler is loaded to 7Fh, and the TSCR register is cleared which means that timer is stopped (PSI=0) and timer interrupt disabled.

A write to the TCR register will predominate over the 8-bit counter decrement to 00h function, i.e. if a write and a TCR register decrement to 00h occur simultaneously, the write will take precedence, and the TMZ bit is not set until the 8-bit counter reaches 00h again. The values of the TCR and the PSC registers can be read accurately at any time.

Figure 25. Timer Working Principle



TIMERS (Cont'd)**4.2.2 Timer Status Control Registers (TSCR)****Timers 1 and 2**

Address: D4h (Timer 1), DCh (Timer 2) - Read/Write

Reset Value: 00h

7							0
TMZ	ETI	D5	D4	PSI	PS2	PS1	PS0

TMZ. Low-to-high transition indicates that the timer count register has decremented to zero. This bit must be cleared by user software before to start with a new count.

ETI. This bit, when set, enables the timer interrupt (vector #3 for Timer 1, vector #2 for Timer 2 request). If ETI=0 the timer interrupt is disabled. If ETI= 1 and TMZ= 1 an interrupt request is generated.

D5. This is the timers enable bit D5. It must be cleared to 0 together with a set to 1 of bit D4 to enable Timer 1 and Timer 2 functions. It is not implemented on registers TSCR2.

D4. This is the timers enable bit D4. This bit must be set to 1 together with a clear to 0 of bit D5 to enable all Timers (Timer 1 and 2) functions. It is not implemented on registers TSCR2.

D5	D4	Timers
0	0	Disabled
0	1	Enabled
1	X	Reserved

PSI. Used to initialize the prescaler and inhibit its counting while PSI = 0 the prescaler is set to 7Fh and the counter is inhibited. When PSI = 1 the prescaler is enabled to count downwards. As long as PSI= 0 both counter and prescaler are not running.

PS2-PS0. These bits select the division ratio of the prescaler register. (see Table 11)

The TSCR1 and TSCR2 registers are cleared on reset. The correct D4-D5 combination must be

written in TSCR1 by user's software to enable the operation of Timer 1 and 2.

Table 11. Prescaler Division Factors

PS2	PS1	PS0	Divided By
0	0	0	1
0	0	1	2
0	1	0	4
0	1	1	8
1	0	0	16
1	0	1	32
1	1	0	64
1	1	1	128

4.2.3 Timer Counter Registers (TCR)**Timer Counter 1 and 2**

Address: D3h (Timer Counter 1), DBh (Timer Counter 2) - Read/Write

Reset Value: FFh

7							0
D7	D6	D5	D4	D3	D2	D1	D0

Bit 7-0 = **D7-D0**: Counter Bits.

4.2.4 Timer Prescaler Registers (PSCR)**Timer Prescalers 1 and 2**

Address: D2h (Timer Prescaler 1), DAh (Timer Prescaler 2) - Read/Write

Reset Value: 7Fh

7							0
D7	D6	D5	D4	D3	D2	D1	D0

Bit 7 = **D7**: Always read as "0".

Bit 6-0 = **D6-D0**: Prescaler Bits.

4.3 A/D CONVERTER (ADC)

The A/D converter peripheral is an 8-bit analog to digital converter with analog inputs as alternate I/O functions (the number of which is device dependent), offering 8-bit resolution with a typical conversion time of 70 μ s (at an oscillator clock frequency of 8MHz).

The ADC converts the input voltage by a process of successive approximations, using a clock frequency derived from the oscillator with a division factor of twelve. With an oscillator clock frequency less than 1.2MHz, conversion accuracy is decreased.

Selection of the input pin is done by configuring the related I/O line as an analog input via the Option and Data registers (refer to I/O ports description for additional information). Only one I/O line must be configured as an analog input at any time. The user must avoid any situation in which more than one I/O pin is selected as an analog input simultaneously, to avoid device malfunction.

The ADC uses two registers in the data space: the ADC data conversion register, ADR, which stores the conversion result, and the ADC control register, ADCR, used to program the ADC functions.

A conversion is started by writing a "1" to the Start bit (STA) in the ADC control register. This automatically clears (resets to "0") the End Of Conversion Bit (EOC). When a conversion is complete, the EOC bit is automatically set to "1", in order to flag that conversion is complete and that the data in the ADC data conversion register is valid. Each conversion has to be separately initiated by writing to the STA bit.

The STA bit is continuously scanned so that, if the user sets it to "1" while a previous conversion is in progress, a new conversion is started before completing the previous one. The start bit (STA) is a write only bit, any attempt to read it will show a logical "0".

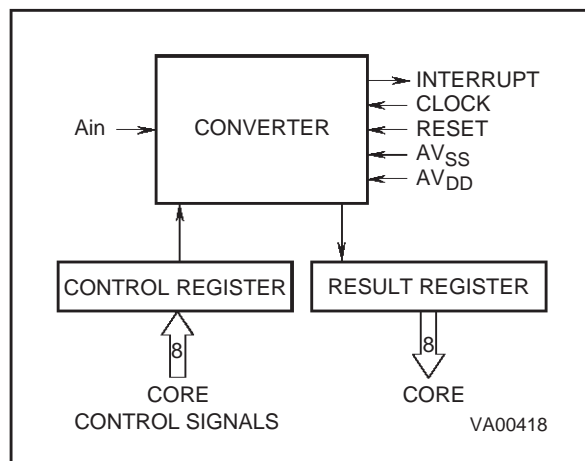
The A/D converter features a maskable interrupt associated with the end of conversion. This interrupt is associated with interrupt vector #4 and occurs when the EOC bit is set (i.e. when a conversion is completed). The interrupt is masked using the EAI (interrupt mask) bit in the control register.

The power consumption of the device can be reduced by turning off the ADC peripheral. This is done by setting the PDS bit in the ADC control register to "0". If PDS="1", the A/D is powered and enabled for conversion. This bit must be set at least one instruction before the beginning of the conversion to allow stabilisation of the A/D converter.

This action is also needed before entering WAIT mode, since the A/D comparator is not automatically disabled in WAIT mode.

During Reset, any conversion in progress is stopped, the control register is reset to 40h and the ADC interrupt is masked (EAI=0).

Figure 26. ADC Block Diagram



4.3.1 Application Notes

The A/D converter does not feature a sample and hold circuit. The analog voltage to be measured should therefore be stable during the entire conversion cycle. Voltage variation should not exceed $\pm 1/2$ LSB for the optimum conversion accuracy. A low pass filter may be used at the analog input pins to reduce input voltage variation during conversion.

When selected as an analog channel, the input pin is internally connected to a capacitor C_{ad} of typically 12pF. For maximum accuracy, this capacitor must be fully charged at the beginning of conversion. In the worst case, conversion starts one instruction (6.5 μ s) after the channel has been selected. In worst case conditions, the impedance, ASI, of the analog voltage source is calculated using the following formula:

$$6.5\mu s = 9 \times C_{ad} \times ASI$$

(capacitor charged to over 99.9%), i.e. 30 $k\Omega$ including a 50% guardband. ASI can be higher if C_{ad} has been charged for a longer period by adding instructions before the start of conversion (adding more than 26 CPU cycles is pointless).

A/D CONVERTER (Cont'd)

Since the ADC is on the same chip as the microprocessor, the user should not switch heavily loaded output signals during conversion, if high precision is required. Such switching will affect the supply voltages used as analog references.

The accuracy of the conversion depends on the quality of the power supplies (V_{DD} and V_{SS}). The user must take special care to ensure a well regulated reference voltage is present on the V_{DD} and V_{SS} pins (power supply voltage variations must be less than 5V/ms). This implies, in particular, that a suitable decoupling capacitor is used at the V_{DD} pin.

The converter resolution is given by:

$$\frac{V_{DD} - V_{SS}}{256}$$

The Input voltage (A_{in}) which is to be converted must be constant for $1\mu s$ before conversion and remain constant during conversion.

Conversion resolution can be improved if the power supply voltage (V_{DD}) to the microcontroller is lowered.

In order to optimise conversion resolution, the user can configure the microcontroller in WAIT mode, because this mode minimises noise disturbances and power supply variations due to output switching. Nevertheless, the WAIT instruction should be executed as soon as possible after the beginning of the conversion, because execution of the WAIT instruction may cause a small variation of the V_{DD} voltage. The negative effect of this variation is minimized at the beginning of the conversion when the converter is less sensitive, rather than at the end of conversion, when the less significant bits are determined.

The best configuration, from an accuracy standpoint, is WAIT mode with the Timer stopped. Indeed, only the ADC peripheral and the oscillator are then still working. The MCU must be woken up from WAIT mode by the ADC interrupt at the end of the conversion. It should be noted that waking up the microcontroller could also be done using

the Timer interrupt, but in this case the Timer will be working and the resulting noise could affect conversion accuracy.

A/D Converter Control Register (ADCR)

Address: 0D1h — Read/Write

Reset value: 40h

7							0
EAI	EOC	STA	PDS	D3	D2	D1	D0

Bit 7 = **EAI**: *Enable A/D Interrupt*. If this bit is set to "1" the A/D interrupt (vector #4) is enabled, when EAI=0 the interrupt is disabled.

Bit 6 = **EOC**: *End of conversion. Read Only*. This read only bit indicates when a conversion has been completed. This bit is automatically reset to "0" when the STA bit is written. If the user is using the interrupt option then this bit can be used as an interrupt pending bit. Data in the data conversion register are valid only when this bit is set to "1".

Bit 5 = **STA**: *Start of Conversion. Write Only*. Writing a "1" to this bit will start a conversion on the selected channel and automatically reset to "0" the EOC bit. If the bit is set again when a conversion is in progress, the present conversion is stopped and a new one will take place. This bit is write only, any attempt to read it will show a logical zero.

Bit 4 = **PDS**: *Power Down Selection*. This bit activates the A/D converter if set to "1". Writing a "0" to this bit will put the ADC in power down mode (idle mode).

Bit 3-0 = **D3-D0**. Not used

A/D Converter Data Register (ADR)

Address: 0D0h — Read only

Reset value: XXh

7							0
D7	D6	D5	D4	D3	D2	D1	D0

Bit 7-0 = **D7-D0**: *8 Bit A/D Conversion Result*.

4.4 SYNC PROCESSOR

This Sync Processor is composed of five parts:

- The first one is a 12 bits Event Counter with HSYNC (or HDRIV) as input especially design to calculate the HSYNC (respectively HDRIV) Frequency.
- The second one is a 12-bits Period Counter especially designed to calculate the VSYNC period and therefore his Frequency.
- The third one is a Polarity Detector for HSYNC (or HDRIV) and VSYNC.
- The fourth part is a HSYNC, VSYNC and CLAMP outputs generator.
- The last part is a Video Blanking generator.

4.4.1 Event Counter

The Counting is directly controlled by the Timer 3. When PSI bit of Timer 3 Status Control Register is low the Event Counter is in Reset Mode. At this time the Timer 3 counter can be loaded by the count period (for example 10 ms).

When PSI is set the Event Counter start simultaneously with the Timer.

When the timer count register has decremented to zero the TMZ bit is set, an interrupt can be generated (if ETI bit is set) and the Event Counter stops.

The result number read inside the EVENT COUNTER REGISTERS corresponds to the rising edge number of the Event Counter Clock occurred between the start and the stop. This Counter Clock is set to one when the Counter is in reset (PSI=0) or just stopped (after stop). It is equal to HSYNC (HDRIV) between start and stop.

[If there is no HSYNC (HDRIV) the result inside the counter will be: XFFFh]

Example: If the result is 5 the number of rising edges is 6, the number of periods is: $4 < NP < 6$).

Calculation: If the timer count is 10 ms the calculation of the HSYNC Frequency could be simple: $Freq. = N/10 \text{ KHz}$ where N is the Event Counter result, the error is + or - one LSB max, it means 100 Hz. Of course the accuracy can be increased with a higher timing count; 20 ms will give + or - 50 Hz.

4.4.2 Period Counter

The Vertical Period Counter is a 12-bits counter with 8 us internal clock which measure by H/W the duration between 2 VSYNC falling edges. Accuracy is $120\pm 0.1 \text{ Hz}$. $FV_{min} = 31 \text{ Hz}$. One measure-

ment start by setting the VACquisition bit (write 1). As this bit is inverted in reading, it is read at 1 after Reset. As soon as the operation starts it is read at 0. At the end of the measurement, after the second VSYNC Falling edge, the VACquisition bit is read again at 1.

Note: If $FV < 31 \text{ Hz}$, $VCOUNT = XFFFh = \text{Max}$

If No V Sync, ACQ bit is not cleared

4.4.3 Polarity Detector

The VSYNC polarity detection is always active after reset so the software has only to read the Flag (Bit 3 of SPCR) to determine the polarity. If the polarity of VSYNC changes, the Flag will switch after a typical delay of 1.5 ms. The VSYNC polarity can be read continuously.

The HSYNC/HDRIV polarity is returned in the Flag (Bit 2 of SPCR). It is always running typically toggles after one period of HSYNC/HDRIV when the polarity changes.

The same delay has to be considered when switching from HSYNC to HDRIV (Bit 0 of SPCR).

Refer to the VSYNC an HSYNC input Timings.

4.4.4 Output Polarity Control

The selection of HSYNCO instead of PA2 (respectively VSYNCO instead of PA3) is made with the bit 7 (HVOS) of SPCR.

HSYNCO and VSYNCO can take two different values according to the bit 6 (HVGEN) of SPCR:

- HSYNCI (respectively VSYNCI)
- HGEN: 62.5 KHz / Pulse width = 2us

(respectively VGEN: 61 Hz / Pulse width: 64 us).

The control of the HSYNCO and VSYNCO polarity is made with respectively the bit 4 (HOPC) and bit 5 (VOPC) of SPCR.

The CLAMP output signal can be programmed after HSYNCO rising edge or HSYNCO falling edge according to the bit 6 (CMCT) of ECCR.

The CLAMP output polarity can be selected with bit7 (COPC) of ECCR.

The pulse width of CLMPO can have the values 250 ns, 500 ns or 1 ns according to the bits 5 and 4 (CMW1 and CMW0) of ECCR.

Remark: when $CMW1 = CMW0 = 0$ PA4 is selected.

SYNC PROCESSOR (Cont'd)**4.4.5 Video Blanking Generator**

This block involves HFLY, VFLY inputs and VSYNCO as input. The falling edges of HFLY (respectively VFLY) are detected on the flag bit 4 (HFLYF) of PCBCR (respectively bit 5 (VFLYF)). HFLY flag (respectively VFLY flag) is reset by software writing zero.

The selection between PA5 and BLANK output is done with bit 6 (BOS) of PCBCR;

SYNC Processor Control Register (SPCR)

Address: DFh - Read/Write

Reset Value: 00h

7							0
HVOS	HVGEN	VOPC	HOPC	VPF	HPF	VACQ	SHH

b7: **HVOS**: H/Vsync Outputs Selection
0=PA2/PA3 as normal port A configuration, 1=HsyncO instead of PA2, VsyncO instead of PA3, Write Only, 0 at Reset.

Remark: H/VSyncO are forced to push-pull outputs

b6: **HVGEN**: H/Vsync GENERation.

0= H/VsyncO <- H/VsyncI or H/VsyncIN (according to H/VOPC)

1 = HsyncO <- HGEN: 62.5KHz, Pulse: 2 μ s (positive polarity); VsyncO <- VGEN: 61Hz, Pulse: 64 μ s (positive polarity), Write Only, 0 at Reset.

b5: **VOPC**: Vsync Output Polarity Control

0=VsyncO <- VsyncI, 1= VsyncO <- VsyncIN, Write Only, 0 after Reset.

b4: **HOPC**: Hsync Output Polarity Control

0=HsyncO <- HsyncI, 1=HsyncO<- HsyncIN, Write Only, 0 after Reset.

b3: **VPF**: Vertical Polarity Flag

0=Positive, 1=Negative, Read Only, 0 after Reset.

b2: **HPF**: Horizontal Polarity Flag

0=Positive, 1=Negative, Read Only, 0 after Reset.

b1: **VACQ**: Start Vsync Period Acquisition, Read/Write, 0 after Reset (inverted in reading)

b0: **SHH**: Selection of Hsync or Hdrive as input

0=Hsync, 1=Hdrive, Write Only, 0 after Reset.

Event Counter Register 1 (ECR1)

Address: DDh - Read-Only

Reset Value: FFh

7							0
H7	H6	H5	H4	H3	H2	H1	H0

b7-b0: 8 LSB bits of counting result, Read Only, FFh after Reset.

Event Counter2 And Clamp Control Register (ECCCR)

Address: DEh - Read/Write

Reset Value: 0Fh

7							0
COPC	CMCT	CMW1	CMW0	H11	H10	H9	H8

b7: **COPC**: Clamp Output Polarity Control

0=positive - 1=negative

Write Only, 0 after Reset

b6: **CMCT**: Clamp Control

0=CLMPO after HsyncO rising edge,

1=CLMPO after HsyncO falling edge,

Write Only, 0 after Reset.

b5-b4: **CMW1, CMW0**: Clamp Pulse Width

Remark: CLMPO is forced to push-pull outputs.

Write Only, 0 after Reset

CMW1	CMW0	Clamp Pulse Width
0	0	Normal PA4
0	1	250 ns
1	0	500 ns
1	1	1000 ns

b3-b0: 4 MSB bits of Event Counting Result, Read Only, XFh after Reset

Period Counter Register 1 (PCR1)

Address: DFh - Read-Only

Reset Value: FFh

7							0
V7	V6	V5	V4	V3	V2	V1	V0

b7-b0: 8 LSB bits of counting result, Read Only, FFh after Reset.

SYNC PROCESSOR (Cont'd)

Period Counter 2 And Blank Control Register (PCBCR)

Address: F1h - Read/Write

Reset Value: XFh

7							0
NU	BOS	VFLY	HFLY	V11	V10	V9	V8

b7: **Not Used**

b6: **BOS**: Blank Output Selection

0=PA5, 1=BLANK, Write Only, 0 after Reset

b5: **VFLYF**: Vertical FLY-back Flag

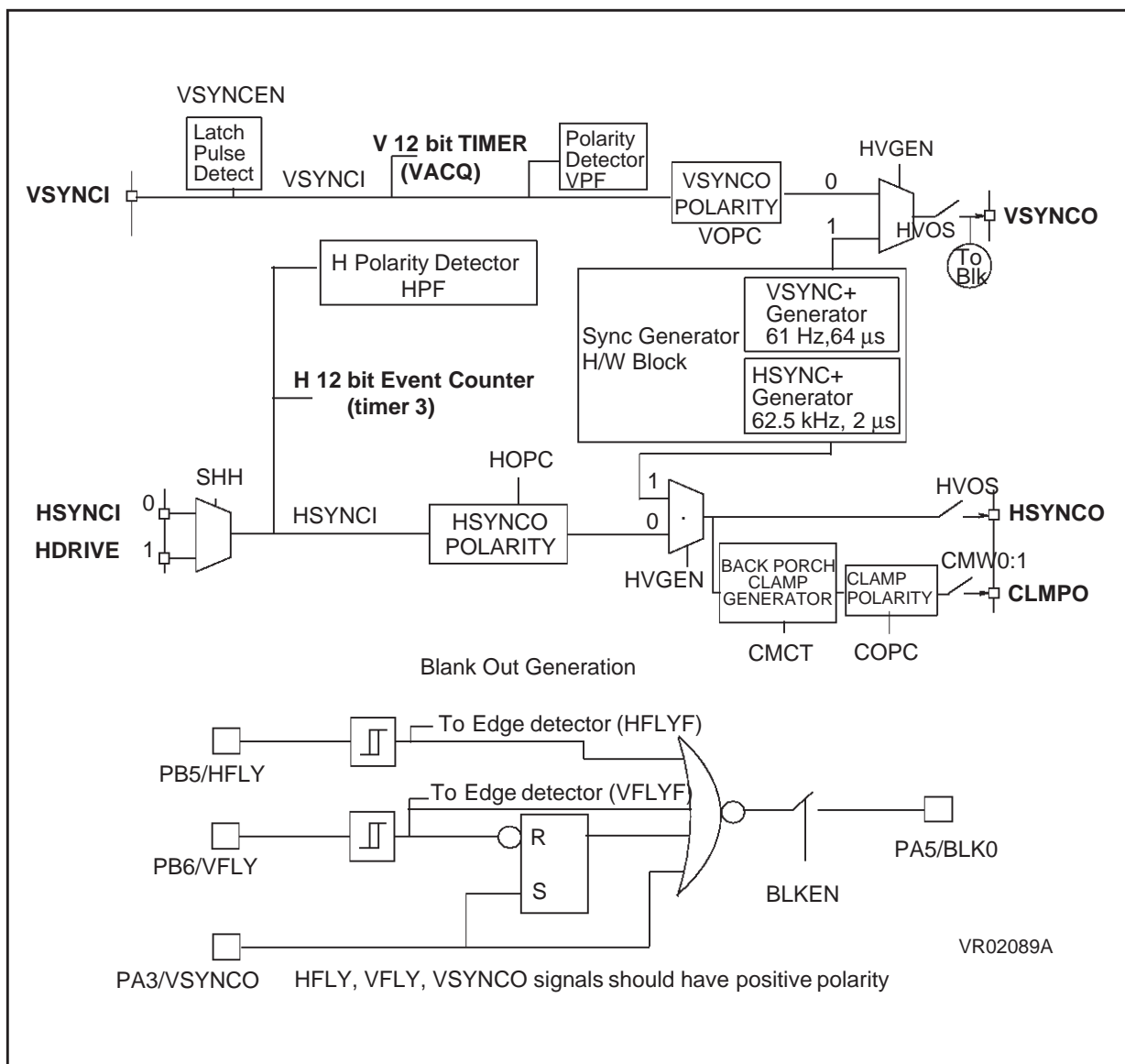
Set on falling edge of VFLY/PB6 input, Read and Write, cleared by S/W (write of zero), undefined after Reset

b4: **HFLYF**: Horizontal FLY-back Flag

Set on falling edge of HFLY/PB5 Input, Read and Write, cleared by S/W (write of zero), undefined after Reset

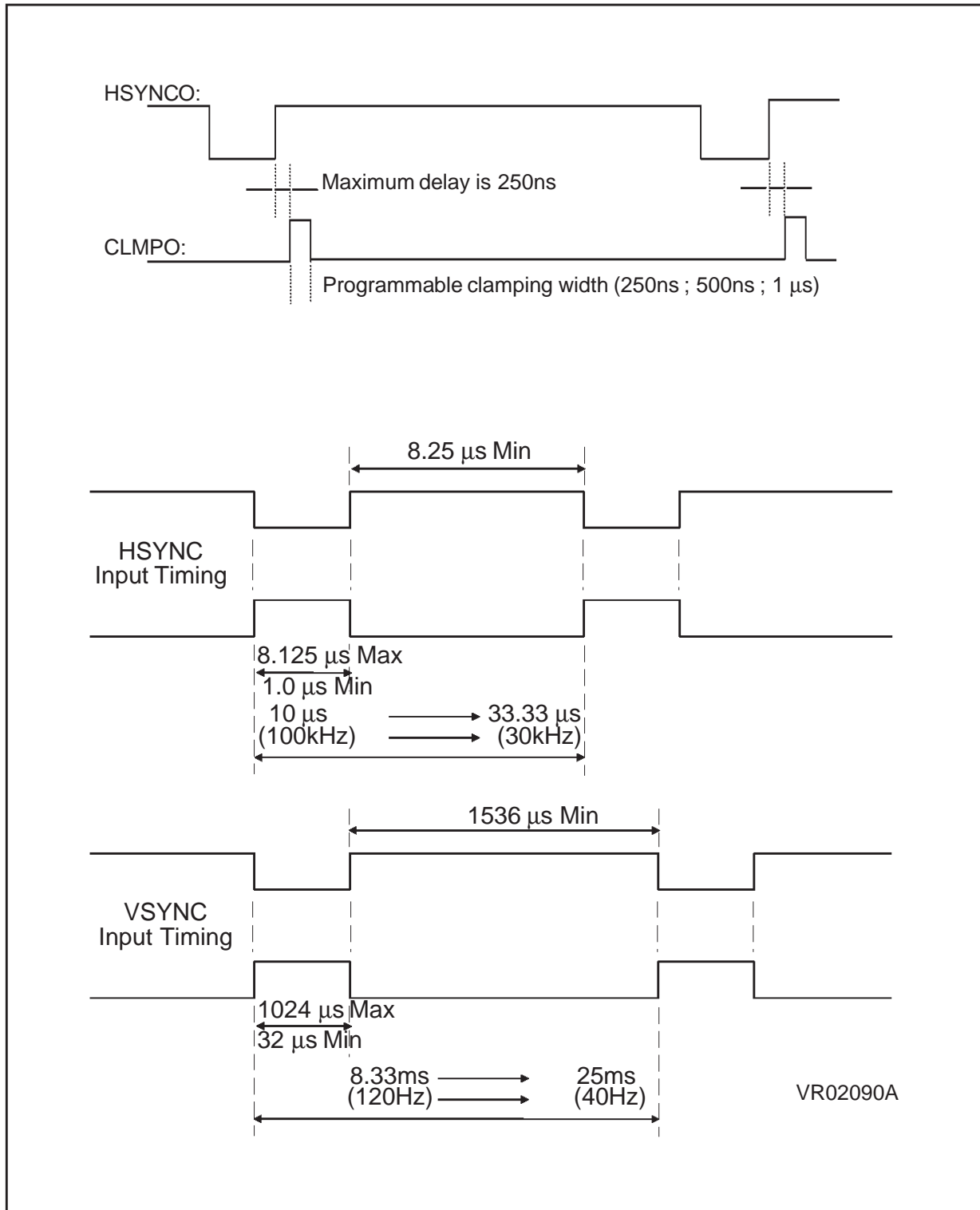
b3 to b0: 4 MSB bits of period counting result, Read Only, Fh After Reset

Figure 27. SYNC Processor Block Diagram



SYNC PROCESSOR (Cont'd)

Figure 28. Synch Processor Timing



4.5 14-BIT PWM D/A CONVERTER

The PWM D/A CONVERTER (HDA) is composed of a 14-bit counter that allows the conversion of the digital content in an analog voltage, available at the HDA output pin, by using Pulse Width Modification (PWM), and Bit Rate Multiplier (BRM) techniques.

The tuning word consists of a 14-bit word contained in the registers HDADATA1 (location EEh) and HDADATA2 (location EFh). Coarse tuning (PWM) is performed using the seven MSBs, while fine tuning (BRM) is performed using the data in the seven LSBs. With all zeros loaded the output is zero; as the tuning voltage increases from all zeros, the number of pulses in one period increase to 128 with all pulses being the same width. For values larger than 128, the PWM takes over and the number of pulses in one period remains constant at 128, but the width changes. At the other end of the scale, when almost all ones are loaded, the pulses will start to link together and the number of pulses will decrease. When all ones are loaded, the output will be almost 100% high but will have a low pulse (1/16384 of the high pulse).

4.5.1 Output Details

Inside the on-chip D/A CONVERTER are included the register latches, a reference counter, PWM and BRM control circuitry. In the ST6373 the clock for the 14-bit reference counter is 2MHz derived from the 8MHz system clock. From the circuit point of view, the seven most significant bits control the coarse tuning, while the seven least significant bits control the fine tuning. From the application and software point of view, the 14 bits can be considered as one binary number.

As already mentioned the coarse tuning consists of a PWM signal with 128 steps; we can consider the fine tuning to cover 128 coarse tuning cycles. The addition of pulses is described in the following Table.

The HDA output pin has a standard drive push-pull output configuration.

Table 12. Fine Tuning Pulse Addition

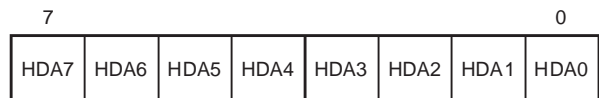
Fine Tuning (7 LSB)	N° of pulses added at the following cycles (0... 127)
0000001	64
0000010	32, 96
0000100	16, 48, 80, 112
0001000	8, 24,104, 120
0010000	4, 12,116, 124
0100000	2, 6,122, 126
1000000	1, 3,125, 127

4.5.2 HDA Tuning Cell Registers

HDA Data Register 1 (HDAR1)

Address: EEh - Write only

Reset Value: XXh

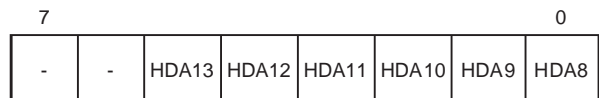


D7-D0. These are the 8 least significant HDA data bits. Bit 0 is the LSB. This register is undefined on reset.

HDA Data Register 2 (HDAR2)

Address: EFh - Write only

Reset Value: XXh



D7-D6. These bits are not used.

D5-D0. These are the 6 most significant HDA data bits. Bit 5 is the MSB. This register is undefined on reset.

4.6 7-BIT PWM D/A CONVERTERS

The D/A peripheral features nine PWM D/A outputs (31.25kHz repetition, DA0-DA8) with seven bit resolution.

Each D/A converter is composed by the following main blocks:

- pre-divider
- 7-bit counter
- data latches and compare circuits

The pre-divider uses the clock input frequency (8MHz typical) and its output clocks the 7-bit free-running up-counter. The data latched in the DTOA Data/Control Registers control the nine D/A outputs (DA0,1,2,3,4,6,7 and 8). When the values in the counter and data latch are equal, the relevant output is set. The output is reset on the counter overflow. When a DTOA output is disabled (bit 7 of corresponding Control Register is low) the output is forced to zero whatever the value of bits 0 to 6. When enabled (bit 7 = 1) the output depends on bits 0 to 6. If all these bits are equal to zero the relevant output is an high logic level. All 1's correspond to a pulse with a 1/128 duty cycle and almost 100% zero level.

The frequency of the PWM DTOA outputs is 31.25 KHz. The duty cycle of the DTOA outputs change in steps of 250ns.

The repetition frequency is related to the 8MHz clock frequency. Use of a different oscillator frequency will result in a different repetition frequency. All D/A outputs are Push-pull with standard current drive capability.

DTOA channels 0 to 7 are held in a bank of two blocks of four registers selected according to the status of DABS, bit 0 of the D/A Bank Register at address E7h. DTOA channel 8 is directly addressed at address E4h without the need of the D/A BANK REGISTER.

D/A BANK Register (DABR)

Address: E7h - Read/Write

Reset Value: 00h

7							0
D7	D6	D5	D4	D3	D2	D1	DABS

D7-D1 = Not Used.

DABS. D/A BANK Selection, This bit is used to select one of the two banks of 4 bytes located at addresses E0h to E3h. Read/Write, 0 after Reset.

0 = Select Bank 0

1 = Select Bank 1

Bank 0 is used for the DA0 to DA3 Outputs. Bank 1 is used for the DA4 to DA7 Outputs.

Table 13. Channel Address Selection

Bank Select	Address	Channel Selected
0	E0h	DA0
0	E1h	DA1
0	E2h	DA2
0	E3h	DA3
1	E0h	DA4
1	E1h	DA5
1	E2h	DA6
1	E3h	DA7
X	E4h	DA8

D/A Data Control Registers (DDCR)

Address: E0h to E3h, E4h - Write only

Reset Value: 0XXXXXXXXb

7							0
EN	DAxC6	DAxC5	DAxC4	DAxC3	DAxC2	DAxC1	DAxC0

ENx. Enable bit, Write Only, 0 after Reset.

0 = Disable Channel x

1 = Enable Channel x

DAxC6 to DAxC0: Data Control bits Channel x, Write Only, Undefined after Reset.

4.6.1 Digital Outputs

The nine 7 bits PWM outputs can also be used as simple outputs.

DDC Bit 7	DDCR bits 0 to 6	Output State
0	don't care	0
1	all zero	1

4.7 SERIAL PERIPHERAL INTERFACES

The ST6373 features two on-chip Serial Peripheral Interfaces (SPIs) for synchronous communication with other local control/interface devices. The two SPIs are similar in basic function, however the first contains additional logic and EEPROM memory to manage the VESA DDC data protocol (DDC1, DDC2B and DDC2AB) transmission and reception. Both SPIs can manage Standard shift modes (in addition to I²C mode), and Master/Slave I²C Modes.

The serial modes of the SPI are summarised in the following table:

Table 14. SPI Modes

Slave Standard shift mode, with external clock on EXTCLK	DDC SPI only
Master Standard shift mode with internal clock	Both SPIs
DDC1 mode with VSYNC as clock	DDC SPI only
Multimaster/Slave I ² C mode	Both SPIs

The maximum external clock and VSYNC clock speed is 25kHz.

The I²C Data Hold Time is 250ns minimum.

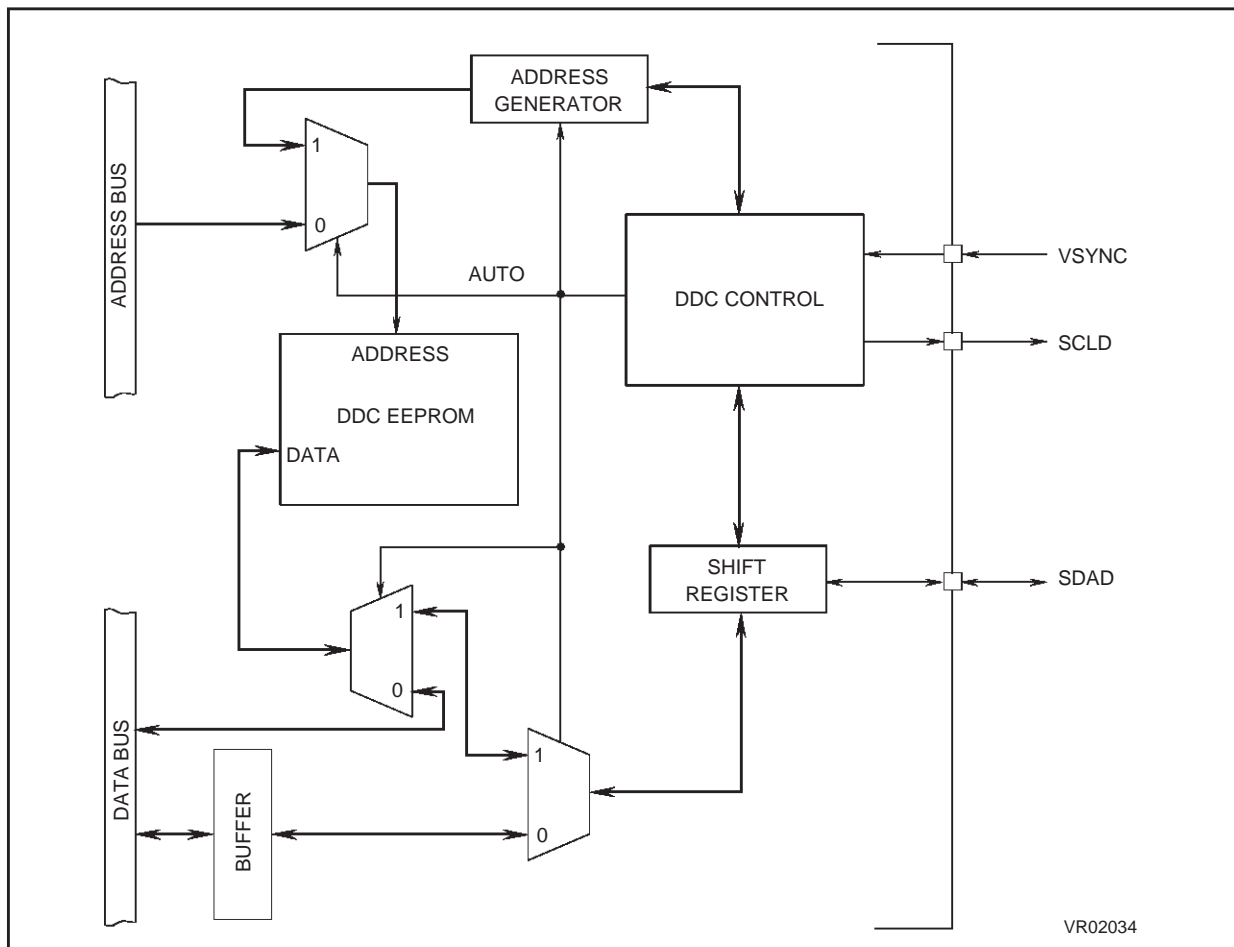
As the I²C SPI is derived from the DDC SPI, the DDC SPI is shown, with the functional differences shown.

For the DDC1 and DDC2B an additional 128 bytes of dedicated EEPROM can be used to load the SPI with predefined data automatically without any CPU time consumption (see Block Diagram).

The Address Generator contains a 7-bits Auto-Counter Register which allows the CPU to set a EEPROM Start Address from 00h to 7Fh.

In DDC2B the Hardware Slave Address A0/A1h can be enabled in parallel with the Programmed I²C Slave Address.

Figure 29. DDC SPI Block Diagram



SERIAL PERIPHERAL INTERFACE (Cont'd)

4.7.1 SPI Modes

DDC1 Mode. In this mode, the eight bits of the data register are shifted out of the register, most significant bit first, clocked on the rising edge of the VSYNC input. During the ninth period, the SDA line remains high or low depending on the ACKC bit. In Auto mode (AUTO=1), the 128 bytes of the DDC EEPROM are sent in sequence until the SCLD input goes low to indicate a DDC Acknowledgment, an interrupt is generated and the transfer is stopped. The data direction is from the MCU, typically as data from the Monitor to the Host.

Slave Standard Shift Mode The operation of this mode is the same as the DDC1 Mode except that the clock used is taken from the external clock input (EXTCLK on PC3).

Master Standard Shift Mode This mode corresponds to the Standard Shift Protocol. Data in the shift register is shifted out of the SDAD line at the internal SPI clock speed after the transmission is triggered. The synchronous clock for the data transmission is output on the SCLD pin. An interrupt can be generated at the end of transmission.

DDC2 or I²C Mode. This mode is used in conjunction with software to implement the I²C transmission protocol. In Master Mode, data written into the data register (typically Address of the Slave and

the Read/Write (R/W) bit for I²C-bus) is shifted out when triggered with a preceding Start Condition.

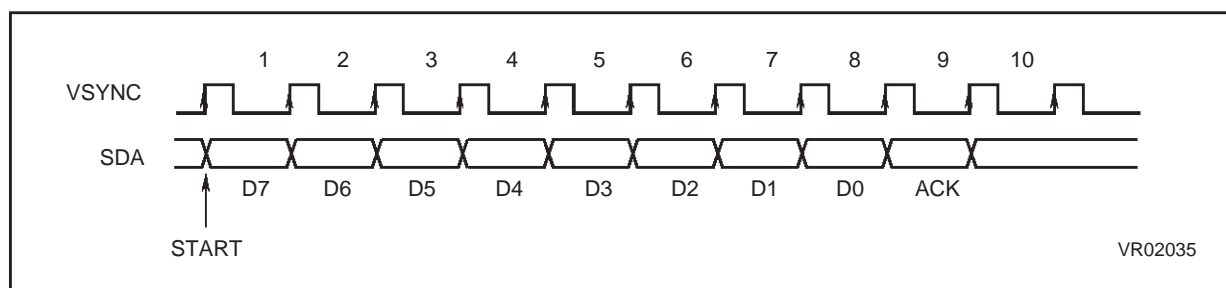
An Interrupt can be generated at the end of transmission or this can be detected by polling. Arbitration is managed by comparing the data on the SDAD line with the corresponding data bit of the shift register and an error is flagged if they are different. If the addressed Slave stretches the low period of the SCLD line, the Master is forced into a wait state. In Slave Mode, the data register is loaded with its own slave address, and the DDC SPI waits for detection of a START Condition. The address received is compared to that set for the slave, and if the address is correct, an acknowledge is sent and an interrupt can be generated, the SCLD line is held low to allow the software to prepare for the incoming data. If the request in the R/W bit is set (0) the external master wants to write to the Slave, if reset, a data value is to be sent. This is managed by the user software.

DDC2B Mode. The DDC2B mode follows the DDC2 mode until a read command is received. The SPI can then be programmed in AUTO mode to send automatically the 128 bytes of the EEPROM until the end of the communication.

I²C SPI

The I²C SPI manages only the Standard Shift Register Mode and the I²C-bus Mode of the DDC SPI.

Figure 30. DDC1 Mode AUTO Not Set



SERIAL PERIPHERAL INTERFACE (Cont'd)

Figure 31. I²C Master Transmit to Slave Receiver (Write Mode)

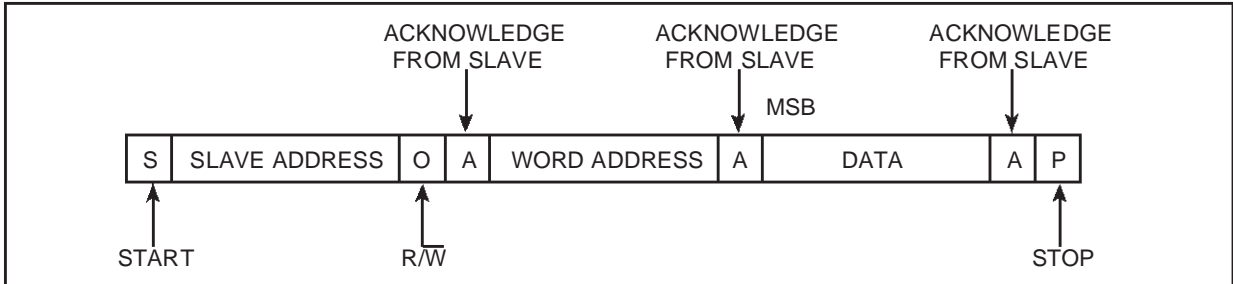


Figure 32. I²C Master Reads Slave Immediately After First Byte (Read Mode)

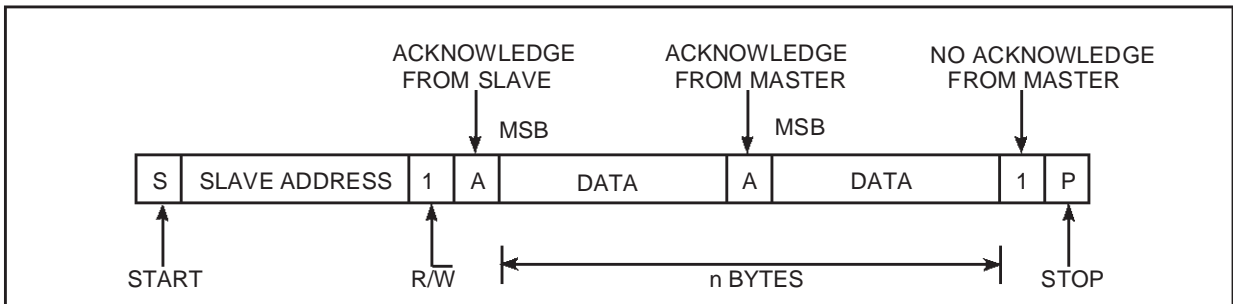
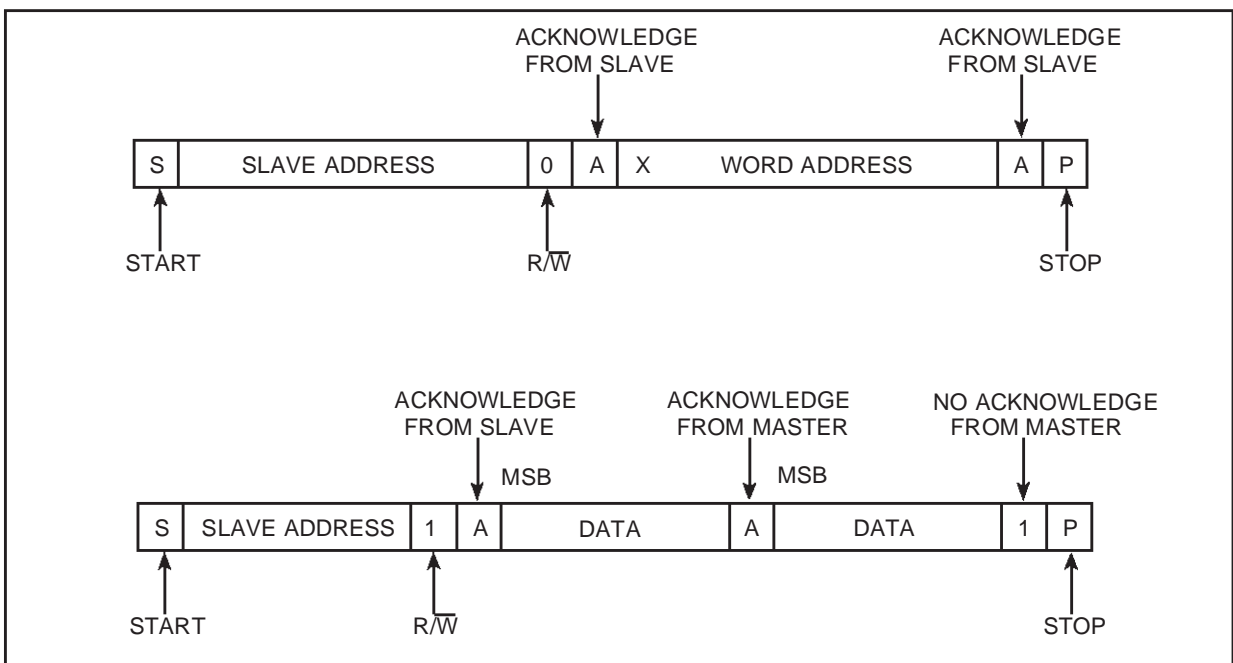


Figure 33. I²C Master Reads After Setting Slave Register Address (Write Address, Read Data)



SERIAL PERIPHERAL INTERFACE (Cont'd)**SPI Control Register 1 (SCR1)****DDC**

Address: EBh - Read/Write

Reset Value: 00h

I C

Address: E5h - Read/Write

Reset Value: 00h

7							0
ENA	MSS	ENIT	ACKC	STAG	STOG	MS1	MS0

ENA. SPI Enable bit.0 - Disable SPI1 - Enable SPI Write Only, 0 after Reset. Remark: When the SPI is disabled, the pins PC0, PC1 and PC3 can be used as normal I/O pins.

MSS. MASTER/SLAVE Selection (MSS).0 - Select SLAVE operation1 - Select MASTER operation

ENIT. Enable SPI Interrupt. The interrupt occurs on a falling edge of SBOR. In DDC1 Automatic and in DDC2B Automatic there is an interrupt only if AUTO has been reset (refer to bit AUTO).

In I²C Slave mode the interrupt occurs at the end of the address reception only if this address is matched.

0 = Disable SPI Interrupt

1 = Enable SPI Interrupt

ACKC. Acknowledge Control bit (ACKC). This bit is used in I²C reception to control whether not to send the acknowledge before a RESTART in MASTER mode, or not to answer if too busy in SLAVE mode.0 = Enable1 = Disable

Write Only.

This bit is also used in DDC1 mode to change the polarity of the Acknowledge bit

.0 = Set Acknowledge to high

1 = Set Acknowledge to low

STAG. START Condition Generation for MASTER I²C. [I²C BUS ONLY]0 = No Generation1 = Generation Start condition

Write Only.

STOG. STOP Condition Generation for MASTER I²C. [I²C BUS ONLY]0 = No Generation1 = Generation Stop condition

Write Only.

MS1,MS0. Mode Selection (MS1:MS0).

00	DDC1 mode with VSYNC as clock [DDC SPI Only]
01	Slave Standard Shift [DDC SPI Only]
10	Master Standard Shift
11	Multimaster/Slave I ² C BUS for DDC2

MS1 is not used for I²C SPI

Note that NO bit operation instructions are possible on this register. (SET and RES)

SPI Control Register 2 (SCR2)**DDC**

Address: ECh - Read/Write

Reset Value: 00h

I C

Address: E6h - Read/Write

Reset Value: 00h

7							0
AUTO	INTF	SCDF	BBF	TRS	VSDAF	NADF	SBOR

AUTO. Automatic Operation mode (AUTO). This bit is automatically reset

:- in DDC1 when SCL goes low

- in DDC2B when no acknowledge is received or when the data on the SDA line is different from the one being sent (For example parasitical STOP or START).

Write Only.

Not used for I²C SPI

INTF. Interrupt Flag (INTF). This flag is set when an interrupt occurs if enabled. It must be reset before leaving the interrupt routine.

Read and reset

SCDF. START Condition Detection Flag. This flag is set on a Start condition detection. It is also set in DDC1 mode on a high to low transition of SCL. It must be reset before leaving the interrupt routine.

Read and reset.

BBF. BUSY BUS Flag. (I²C BUS ONLY) Set on a first START Condition and Reset on the STOP Condition.

Read and reset.

SERIAL PERIPHERAL INTERFACE (Cont'd)

TRS. Transmission/Reception Selection.

- 0 = Select Reception operation
- 1 = Select Transmission operation

Write Only.

This bit is also used in reading as a STOP Condition Detection Flag.

Read Only.

VSDAF. Verification of SDA line Flag. This bit is set as soon as the data on SDA line is different to the data inside SSSDR, mainly in transmission but also during the slave address reception when the SLAVE mode is selected. [I²C BUS ONLY]

- 0 = no difference detected
- 1 = Difference found on SDA

Read Only.

NADF. No Acknowledge Detection Flag. [I²C BUS ONLY]

- 0 = Detection Acknowledge
- 1 = No Detection of Acknowledge

Read Only.

SBOR. SPI Byte Operation (Transmission or Reception). This bit is set to start an operation; in I²C SLAVE mode it is automatically set when a Start Condition is detected.

- 0 = No Operation
- 1 = Operation Start

Read and Set.

Note that NO bit operation instructions are possible on this register.

SPI Serial Data Register (SSDR)

DDC

Address: CCh - Read/Write

Reset Value: XXh

IC

Address: CBh - Read/Write

Reset Value: XXh

7									0
SD7	SD6	SD5	SD4	SD3	SD2	SD1	SD0		

SD7-SD0. Data bits, R/W, Undefined after Reset.

This Serial Data Register is composed of one Buffer Register and one Data Shift Register. When AUTO = 1, the Shift Register is linked to the 128 byte DDC EEPROM dedicated to DDC1 and DDC2B. The data will then automatically be sent without CPU operation. The 128 bytes DDC EEPROM can be addressed (programmed or read) by the software only when bit AUTO = 0. Software can address the buffer and not the Shift Register.

- The data transfer from the Shift Register to the Buffer is always done at the end of a normal reception (TRS = 0) before the reset of SBOR. The buffer should not be read by the software during the data transfer.

- With the DDC SPI, the loading of the Shift Register is done in two different ways depending on the AUTO bit:

When AUTO = 0 the transfer is done from the Buffer to the Shift Register on the setting of SBOR (or also in I²C SLAVE mode, on a Start Condition Detection).

When AUTO = 1, the transfer is done from the DDC EEPROM to the Shift Register at the end of each byte transmission. (The first byte is loaded when SBOR is set simultaneously with AUTO)

Note:

When SBOR = 1, the loading of the Buffer does not affect the Shift Register.

Auto-counter Register (ACR)

Address: F2h - Read/Write

Reset Value: 00h

7									0
-	D6	D5	D4	D3	D2	D1	D0		

b7: Not used

b6 to b0: 7 bits Auto-Counter, Read/Write, 00h after Reset.

Through these 7 bits the DDC1/DDC2B Address Generator can be set at any EEPROM Start Address from 00h to 7Fh. The content of the counter can be read at any time during the DDC1 or DDC2B Automatic Mode.

SERIAL PERIPHERAL INTERFACE (Cont'd)**SCL Latch And Ddc2b Address Control Register (SLACR)**

Address: F3h - Read/Write

Reset Value: 40h

7							0
-	-	-	-	HSAE	SCL FLAG	SCL ITEN	SCL EDGE

b7 to b4: Not used

b3: **HSAE**: *Hardware Slave Address Enable* This bit allows the Slave I2C to check, after a Start Condition Detection, both the Address A0/A1h for DDC2B and the Programmed Address for the switch to DDC2AB.

Note that software address contained in SDDR is always valid.

0=Disable, 1=Enable, Write only, 1 after Reset

b2: **SCLFLAG**: *SCL FLAG bit*. This bit is set on SCL rising or falling edge according to the polarity bit SCLEGE. This flag can be reset by writing a 1 in SCLFLAG bit (Read and Reset, undefined after reset).

b1: **SCLITEN**: *SCL Interrupt Enable bit* If this bit is set an interrupt on vector # 3 is generated when the SCL flag is set (Write Only, 0 after Reset).

b0: **SCLEGE**: *SCL EDGE selection bit* The SCL input latch is activated on either the positive or negative edge of SCL line: if SCLEGE is high the latch will be triggered on the rising edge of SCL; if this bit is low the latch will be triggered on the falling edge (Write Only, 0 after Reset).

Remark: In DDC1, it is not necessary to use the SCL latch interrupt because the DDC1 SCL Falling edge interrupt can be activated (see DDC1 mode).

4.8 MIRROR REGISTER

This is an 8-bits Register at address D9h. It is cleared on Reset. After writing, the read value is the reversed byte:

Bit0 -> Bit7, Bit1 -> Bit6, Bit2 -> Bit5, Bit3 -> Bit4,
Bit4 -> Bit3, Bit5 -> Bit2, Bit6 -> Bit1, Bit7 -> Bit0

4.9 XOR REGISTER

This is a 8-bit Register at address F4h. It is cleared on Reset. After writing, the new content value is the previous content "XORed" with the written value.

To reset this register the user must read its contents and rewrite it (A XOR A = 0).

5 SOFTWARE

5.1 ST6 ARCHITECTURE

The ST6 software has been designed to fully use the hardware in the most efficient way possible while keeping byte usage to a minimum; in short, to provide byte efficient programming capability. The ST6 core has the ability to set or clear any register or RAM location bit of the Data space with a single instruction. Furthermore, the program may branch to a selected address depending on the status of any bit of the Data space. The carry bit is stored with the value of the bit when the SET or RES instruction is processed.

5.2 ADDRESSING MODES

The ST6 core offers nine addressing modes, which are described in the following paragraphs. Three different address spaces are available: Program space, Data space, and Stack space. Program space contains the instructions which are to be executed, plus the data for immediate mode instructions. Data space contains the Accumulator, the X,Y,V and W registers, peripheral and Input/Output registers, the RAM locations and Data ROM locations (for storage of tables and constants). Stack space contains six 12-bit RAM cells used to stack the return addresses for subroutines and interrupts.

Immediate. In the immediate addressing mode, the operand of the instruction follows the opcode location. As the operand is a ROM byte, the immediate addressing mode is used to access constants which do not change during program execution (e.g., a constant used to initialize a loop counter).

Direct. In the direct addressing mode, the address of the byte which is processed by the instruction is stored in the location which follows the opcode. Direct addressing allows the user to directly address the 256 bytes in Data Space memory with a single two-byte instruction.

Short Direct. The core can address the four RAM registers X,Y,V,W (locations 80h, 81h, 82h, 83h) in the short-direct addressing mode. In this case, the instruction is only one byte and the selection of the location to be processed is contained in the opcode. Short direct addressing is a subset of the direct addressing mode. (Note that 80h and 81h are also indirect registers).

Extended. In the extended addressing mode, the 12-bit address needed to define the instruction is obtained by concatenating the four less significant

bits of the opcode with the byte following the opcode. The instructions (JP, CALL) which use the extended addressing mode are able to branch to any address of the 4K bytes Program space.

An extended addressing mode instruction is two-byte long.

Program Counter Relative The relative addressing mode is only used in conditional branch instructions. The instruction is used to perform a test and, if the condition is true, a branch with a span of -15 to +16 locations around the address of the relative instruction. If the condition is not true, the instruction which follows the relative instruction is executed. The relative addressing mode instruction is one-byte long. The opcode is obtained in adding the three most significant bits which characterize the kind of the test, one bit which determines whether the branch is a forward (when it is 0) or backward (when it is 1) branch and the four less significant bits which give the span of the branch (0h to 0Fh) which must be added or subtracted to the address of the relative instruction to obtain the address of the branch.

Bit Direct. In the bit direct addressing mode, the bit to be set or cleared is part of the opcode, and the byte following the opcode points to the address of the byte in which the specified bit must be set or cleared. Thus, any bit in the 256 locations of Data space memory can be set or cleared.

Bit Test & Branch. The bit test and branch addressing mode is a combination of direct addressing and relative addressing. The bit test and branch instruction is three-byte long. The bit identification and the tested condition are included in the opcode byte. The address of the byte to be tested follows immediately the opcode in the Program space. The third byte is the jump displacement, which is in the range of -126 to +129. This displacement can be determined using a label, which is converted by the assembler.

Indirect. In the indirect addressing mode, the byte processed by the register-indirect instruction is at the address pointed by the content of one of the indirect registers, X or Y (80h,81h). The indirect register is selected by the bit 4 of the opcode. A register indirect instruction is one byte long.

Inherent. In the inherent addressing mode, all the information necessary to execute the instruction is contained in the opcode. These instructions are one byte long.

5.3 INSTRUCTION SET

The ST6 core offers a set of 40 basic instructions which, when combined with nine addressing modes, yield 244 usable opcodes. They can be divided into six different types: load/store, arithmetic/logic, conditional branch, control instructions, jump/call, and bit manipulation. The following paragraphs describe the different types.

All the instructions belonging to a given type are presented in individual tables.

Load & Store. These instructions use one, two or three bytes in relation with the addressing mode. One operand is the Accumulator for LOAD and the other operand is obtained from data memory using one of the addressing modes.

For Load Immediate one operand can be any of the 256 data space bytes while the other is always immediate data.

Table 15. Load & Store Instructions

Instruction	Addressing Mode	Bytes	Cycles	Flags	
				Z	C
LD A, X	Short Direct	1	4	Δ	*
LD A, Y	Short Direct	1	4	Δ	*
LD A, V	Short Direct	1	4	Δ	*
LD A, W	Short Direct	1	4	Δ	*
LD X, A	Short Direct	1	4	Δ	*
LD Y, A	Short Direct	1	4	Δ	*
LD V, A	Short Direct	1	4	Δ	*
LD W, A	Short Direct	1	4	Δ	*
LD A, rr	Direct	2	4	Δ	*
LD rr, A	Direct	2	4	Δ	*
LD A, (X)	Indirect	1	4	Δ	*
LD A, (Y)	Indirect	1	4	Δ	*
LD (X), A	Indirect	1	4	Δ	*
LD (Y), A	Indirect	1	4	Δ	*
LDI A, #N	Immediate	2	4	Δ	*
LDI rr, #N	Immediate	3	4	*	*

Notes:

X,Y. Indirect Register Pointers, V & W Short Direct Registers

#. Immediate data (stored in ROM memory)

rr. Data space register

Δ. Affected

*. Not Affected

INSTRUCTION SET (Cont'd)

Arithmetic and Logic. These instructions are used to perform the arithmetic calculations and logic operations. In AND, ADD, CP, SUB instructions one operand is always the accumulator while the other can be either a data space memory con-

tent or an immediate value in relation with the addressing mode. In CLR, DEC, INC instructions the operand can be any of the 256 data space addresses. In COM, RLC, SLA the operand is always the accumulator.

Table 16. Arithmetic & Logic Instructions

Instruction	Addressing Mode	Bytes	Cycles	Flags	
				Z	C
ADD A, (X)	Indirect	1	4	Δ	Δ
ADD A, (Y)	Indirect	1	4	Δ	Δ
ADD A, rr	Direct	2	4	Δ	Δ
ADDI A, #N	Immediate	2	4	Δ	Δ
AND A, (X)	Indirect	1	4	Δ	Δ
AND A, (Y)	Indirect	1	4	Δ	Δ
AND A, rr	Direct	2	4	Δ	Δ
ANDI A, #N	Immediate	2	4	Δ	Δ
CLR A	Short Direct	2	4	Δ	Δ
CLR r	Direct	3	4	*	*
COM A	Inherent	1	4	Δ	Δ
CP A, (X)	Indirect	1	4	Δ	Δ
CP A, (Y)	Indirect	1	4	Δ	Δ
CP A, rr	Direct	2	4	Δ	Δ
CPI A, #N	Immediate	2	4	Δ	Δ
DEC X	Short Direct	1	4	Δ	*
DEC Y	Short Direct	1	4	Δ	*
DEC V	Short Direct	1	4	Δ	*
DEC W	Short Direct	1	4	Δ	*
DEC A	Direct	2	4	Δ	*
DEC rr	Direct	2	4	Δ	*
DEC (X)	Indirect	1	4	Δ	*
DEC (Y)	Indirect	1	4	Δ	*
INC X	Short Direct	1	4	Δ	*
INC Y	Short Direct	1	4	Δ	*
INC V	Short Direct	1	4	Δ	*
INC W	Short Direct	1	4	Δ	*
INC A	Direct	2	4	Δ	*
INC rr	Direct	2	4	Δ	*
INC (X)	Indirect	1	4	Δ	*
INC (Y)	Indirect	1	4	Δ	*
RLC A	Inherent	1	4	Δ	Δ
SLA A	Inherent	2	4	Δ	Δ
SUB A, (X)	Indirect	1	4	Δ	Δ
SUB A, (Y)	Indirect	1	4	Δ	Δ
SUB A, rr	Direct	2	4	Δ	Δ
SUBI A, #N	Immediate	2	4	Δ	Δ

Notes:

X,Y. Indirect Register Pointers, V & W Short Direct Registers
 D. Affected
 #. Immediate data (stored in ROM memory)*. Not Affected
 rr. Data space register

INSTRUCTION SET (Cont'd)

Conditional Branch. The branch instructions achieve a branch in the program when the selected condition is met.

Bit Manipulation Instructions These instructions can handle any bit in data space memory. One group either sets or clears. The other group (see Conditional Branch) performs the bit test branch operations.

Control Instructions. The control instructions control the MCU operations during program execution.

Jump and Call. These two instructions are used to perform long (12-bit) jumps or subroutines call inside the whole program space.

Table 17. Conditional Branch Instructions

Instruction	Branch If	Bytes	Cycles	Flags	
				Z	C
JRC e	C = 1	1	2	*	*
JRNC e	C = 0	1	2	*	*
JRZ e	Z = 1	1	2	*	*
JRNZ e	Z = 0	1	2	*	*
JRR b, rr, ee	Bit = 0	3	5	*	D
JRS b, rr, ee	Bit = 1	3	5	*	D

Notes:

b. 3-bit address

e. 5 bit signed displacement in the range -15 to +16<F128M>

ee. 8 bit signed displacement in the range -126 to +129

rr. Data space register

Δ. Affected

*. Not Affected

Table 18. Bit Manipulation Instructions

Instruction	Addressing Mode	Bytes	Cycles	Flags	
				Z	C
SET b,rr	Bit Direct	2	4	*	*
RES b,rr	Bit Direct	2	4	*	*

Notes:

b. 3-bit address;

rr. Data space register;

*. Not<M> Affected

Table 19. Control Instructions

Instruction	Addressing Mode	Bytes	Cycles	Flags	
				Z	C
NOP	Inherent	1	2	*	*
RET	Inherent	1	2	*	*
RETI	Inherent	1	2	Δ	Δ
STOP (1)	Inherent	1	2	*	*
WAIT	Inherent	1	2	*	*

Notes:

1. This instruction is deactivated and a WAIT is automatically executed instead of a STOP if the watchdog function is selected.

Δ. Affected

*. Not Affected

Table 20. Jump & Call Instructions

Instruction	Addressing Mode	Bytes	Cycles	Flags	
				Z	C
CALL abc	Extended	2	4	*	*
JP abc	Extended	2	4	*	*

Notes:

abc. 12-bit address;

*. Not Affected

Opcode Map Summary. The following table contains an opcode map for the instructions used by the ST6

LOW HI	0 0000	1 0001	2 0010	3 0011	4 0100	5 0101	6 0110	7 0111	LOW HI
0 0000	2 JRNZ e 1 pcr	4 CALL abc 2 ext	2 JRNC e 1 pcr	5 JRR b0,rr,ee 3 bt	2 JRZ e 1 pcr	#	2 JRC e 1 prc	4 LD a,(x) 1 ind	0 0000
1 0001	2 JRNZ e 1 pcr	4 CALL abc 2 ext	2 JRNC e 1 pcr	5 JRS b0,rr,ee 3 bt	2 JRZ e 1 pcr	4 INC x 1 sd	2 JRC e 1 prc	4 LDI a,nn 2 imm	1 0001
2 0010	2 JRNZ e 1 pcr	4 CALL abc 2 ext	2 JRNC e 1 pcr	5 JRR b4,rr,ee 3 bt	2 JRZ e 1 pcr	#	2 JRC e 1 prc	4 CP a,(x) 1 ind	2 0010
3 0011	2 JRNZ e 1 pcr	4 CALL abc 2 ext	2 JRNC e 1 pcr	5 JRS b4,rr,ee 3 bt	2 JRZ e 1 pcr	4 LD a,x 1 sd	2 JRC e 1 prc	4 CPI a,nn 2 imm	3 0011
4 0100	2 JRNZ e 1 pcr	4 CALL abc 2 ext	2 JRNC e 1 pcr	5 JRR b2,rr,ee 3 bt	2 JRZ e 1 pcr	#	2 JRC e 1 prc	4 ADD a,(x) 1 ind	4 0100
5 0101	2 JRNZ e 1 pcr	4 CALL abc 2 ext	2 JRNC e 1 pcr	5 JRS b2,rr,ee 3 bt	2 JRZ e 1 pcr	4 INC y 1 sd	2 JRC e 1 prc	4 ADDI a,nn 2 imm	5 0101
6 0110	2 JRNZ e 1 pcr	4 CALL abc 2 ext	2 JRNC e 1 pcr	5 JRR b6,rr,ee 3 bt	2 JRZ e 1 pcr	#	2 JRC e 1 prc	4 INC (x) 1 ind	6 0110
7 0111	2 JRNZ e 1 pcr	4 CALL abc 2 ext	2 JRNC e 1 pcr	5 JRS b6,rr,ee 3 bt	2 JRZ e 1 pcr	4 LD a,y 1 sd	2 JRC e 1 prc	#	7 0111
8 1000	2 JRNZ e 1 pcr	4 CALL abc 2 ext	2 JRNC e 1 pcr	5 JRR b1,rr,ee 3 bt	2 JRZ e 1 pcr	#	2 JRC e 1 prc	4 LD (x),a 1 ind	8 1000
9 1001	2 RNZ e 1 pcr	4 CALL abc 2 ext	2 JRNC e 1 pcr	5 JRS b1,rr,ee 3 bt	2 JRZ e 1 pcr	4 INC v 1 sd	2 JRC e 1 prc	#	9 1001
A 1010	2 JRNZ e 1 pcr	4 CALL abc 2 ext	2 JRNC e 1 pcr	5 JRR b5,rr,ee 3 bt	2 JRZ e 1 pcr	#	2 JRC e 1 prc	4 AND a,(x) 1 ind	A 1010
B 1011	2 JRNZ e 1 pcr	4 CALL abc 2 ext	2 JRNC e 1 pcr	5 JRS b5,rr,ee 3 bt	2 JRZ e 1 pcr	4 LD a,v 1 sd	2 JRC e 1 prc	4 ANDI a,nn 2 imm	B 1011
C 1100	2 JRNZ e 1 pcr	4 CALL abc 2 ext	2 JRNC e 1 pcr	5 JRR b3,rr,ee 3 bt	2 JRZ e 1 pcr	#	2 JRC e 1 prc	4 SUB a,(x) 1 ind	C 1100
D 1101	2 JRNZ e 1 pcr	4 CALL abc 2 ext	2 JRNC e 1 pcr	5 JRS b3,rr,ee 3 bt	2 JRZ e 1 pcr	4 INC w 1 sd	2 JRC e 1 prc	4 SUBI a,nn 2 imm	D 1101
E 1110	2 JRNZ e 1 pcr	4 CALL abc 2 ext	2 JRNC e 1 pcr	5 JRR b7,rr,ee 3 bt	2 JRZ e 1 pcr	#	2 JRC e 1 prc	4 DEC (x) 1 ind	E 1110
F 1111	2 JRNZ e 1 pcr	4 CALL abc 2 ext	2 JRNC e 1 pcr	5 JRS b7,rr,ee 3 bt	2 JRZ e 1 pcr	4 LD a,w 1 sd	2 JRC e 1 prc	#	F 1111

Abbreviations for Addressing Modes:

- dir Direct
- sd Short Direct
- imm Immediate
- inh Inherent
- ext Extended
- b.d Bit Direct
- bt Bit Test
- pcr Program Counter Relative
- ind Indirect

Legend:

- # Indicates Illegal Instructions
- e 5 Bit Displacement
- b 3 Bit Address
- rr 1byte dataspace address
- nn 1 byte immediate data
- abc 12 bit address
- ee 8 bit Displacement



Opcode Map Summary. (Continued)

LOW HI	8 1000	9 1001	A 1010	B 1011	C 1100	D 1101	E 1110	F 1111	LOW HI
0 0000	2 JRNZ e 1 pcr	4 JP abc 2 ext	2 JRNC e 1 pcr	4 RES b0,rr 2 b.d	2 JRZ e 1 pcr	4 LDI rr,nn 3 imm	2 JRC e 1 prc	4 LD a,(y) 1 ind	0 0000
1 0001	2 JRNZ e 1 pcr	4 JP abc 2 ext	2 JRNC e 1 pcr	4 SET b0,rr 2 b.d	2 JRZ e 1 pcr	4 DEC x 1 sd	2 JRC e 1 prc	4 LD a,rr 2 dir	1 0001
2 0010	2 JRNZ e 1 pcr	4 JP abc 2 ext	2 JRNC e 1 pcr	4 RES b4,rr 2 b.d	2 JRZ e 1 pcr	4 COM a 1 prc	2 JRC e 1 prc	4 CP a,(y) 1 ind	2 0010
3 0011	2 JRNZ e 1 pcr	4 JP abc 2 ext	2 JRNC e 1 pcr	4 SET b4,rr 2 b.d	2 JRZ e 1 pcr	4 LD x,a 1 sd	2 JRC e 1 prc	4 CP a,rr 2 dir	3 0011
4 0100	2 JRNZ e 1 pcr	4 JP abc 2 ext	2 JRNC e 1 pcr	4 RES b2,rr 2 b.d	2 JRZ e 1 pcr	2 RETI inh 1 inh	2 JRC e 1 prc	4 ADD a,(y) 1 ind	4 0100
5 0101	2 JRNZ e 1 pcr	4 JP abc 2 ext	2 JRNC e 1 pcr	4 SET b2,rr 2 b.d	2 JRZ e 1 pcr	4 DEC y 1 sd	2 JRC e 1 prc	4 ADD a,rr 2 dir	5 0101
6 0110	2 JRNZ e 1 pcr	4 JP abc 2 ext	2 JRNC e 1 pcr	4 RES b6,rr 2 b.d	2 JRZ e 1 pcr	2 STOP inh 1 inh	2 JRC e 1 prc	4 INC (y) 1 ind	6 0110
7 0111	2 JRNZ e 1 pcr	4 JP abc 2 ext	2 JRNC e 1 pcr	4 SET b6,rr 2 b.d	2 JRZ e 1 pcr	4 LD y,a 1 sd	2 JRC e 1 prc	4 INC rr 2 dir	7 0111
8 1000	2 JRNZ e 1 pcr	4 JP abc 2 ext	2 JRNC e 1 pcr	4 RES b1,rr 2 b.d	2 JRZ e 1 pcr	#	2 JRC e 1 prc	4 LD (y),a 1 ind	8 1000
9 1001	2 RNZ e 1 pcr	4 JP abc 2 ext	2 JRNC e 1 pcr	4 SET b1,rr 2 b.d	2 JRZ e 1 pcr	4 DEC v 1 sd	2 JRC e 1 prc	4 LD rr,a 2 dir	9 1001
A 1010	2 JRNZ e 1 pcr	4 JP abc 2 ext	2 JRNC e 1 pcr	4 RES b5,rr 2 b.d	2 JRZ e 1 pcr	4 RCL a 1 inh	2 JRC e 1 prc	4 AND a,(y) 1 ind	A 1010
B 1011	2 JRNZ e 1 pcr	4 JP abc 2 ext	2 JRNC e 1 pcr	4 SET b5,rr 2 b.d	2 JRZ e 1 pcr	4 LD v,a 1 sd	2 JRC e 1 prc	4 AND a,rr 2 dir	B 1011
C 1100	2 JRNZ e 1 pcr	4 JP abc 2 ext	2 JRNC e 1 pcr	4 RES b3,rr 2 b.d	2 JRZ e 1 pcr	2 RET inh 1 inh	2 JRC e 1 prc	4 SUB a,(y) 1 ind	C 1100
D 1101	2 JRNZ e 1 pcr	4 JP abc 2 ext	2 JRNC e 1 pcr	4 SET b3,rr 2 b.d	2 JRZ e 1 pcr	4 DEC w 1 sd	2 JRC e 1 prc	4 SUB a,rr 2 dir	D 1101
E 1110	2 JRNZ e 1 pcr	4 JP abc 2 ext	2 JRNC e 1 pcr	4 RES b7,rr 2 b.d	2 JRZ e 1 pcr	2 WAIT inh 1 inh	2 JRC e 1 prc	4 DEC (y) 1 ind	E 1110
F 1111	2 JRNZ e 1 pcr	4 JP abc 2 ext	2 JRNC e 1 pcr	4 SET b7,rr 2 b.d	2 JRZ e 1 pcr	4 LD w,a 1 sd	2 JRC e 1 prc	4 DEC rr 2 dir	F 1111

Abbreviations for Addressing Modes:

dir Direct
sd Short Direct
imm Immediate
inh Inherent
ext Extended
b.d Bit Direct
bt Bit Test
pcr Program Counter Relative
ind Indirect

Legend:

Indicates Illegal Instructions
e 5 Bit Displacement
b 3 Bit Address
rr 1byte dataspace address
nn 1 byte immediate data
abc 12 bit address
ee 8 bit Displacement

6 ELECTRICAL CHARACTERISTICS

6.1 ABSOLUTE MAXIMUM RATINGS

This product contains devices to protect the inputs against damage due to high static voltages, however it is advised to take normal precaution to avoid application of any voltage higher than maximum rated voltages.

For proper operation it is recommended that VI and VO must be higher than VSS and smaller than VDD. Reliability is enhanced if unused inputs are connected to an appropriated logic voltage level (VDD or VSS).

Power Considerations. The average chip-junction temperature, Tj, in Celsius can be obtained from:

$$T_j = T_A + P_D \times R_{thJA}$$

Where :TA = Ambient Temperature.
 RthJA =Package thermal resistance (junction-to ambient).
 PD = Pint + Pport.
 Pint =IDD x VDD (chip internal power).
 Pport =Port power dissipation (determined by the user).

Symbol	Parameter	Value	Unit
V _{DD}	Supply Voltage	-0.3 to 7.0	V
V _I	Input Voltage (AD IN)	VSS - 0.3 to +1 ³	V
V _I	Input Voltage (Other inputs)	VSS - 0.3 to +13	V
V _O	Output Voltage (PA4-PA7, PC4-PC7)	VSS - 0.3 to VDD + 0.3 ³	V
V _O	Output Voltage (Other outputs)	VSS - 0.3 to VDD + 0.3 ⁽¹⁾	V
I _O	Current Drain per Pin Excluding VDD, VSS, PA0-PA7	± 10	mA
I _O	Current Drain per Pin (PA0-PA7)	± 20	mA
I _{VDD}	Total Current into VDD (source)	50	mA
I _{VSS}	Total Current out of VSS (sink)	150	mA
T _j	Junction Temperature	150	°C
T _{STG}	Storage Temperature	-60 to 150	°C

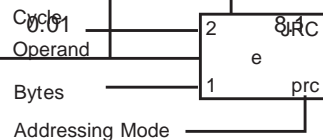
Note: Stresses above those listed as “absolute maximum ratings” may cause permanent damage to the device. This is a stress rating only and functional operation of the device at these conditions is not implied. Exposure to maximum rating conditions for extended periods may affect device reliability.

THERMAL CHARACTERISTICS

Symbol	Parameter	Test Conditions	Value			Unit
			Min.	Typ.	Max.	
RthJA	Thermal Resistance	PSDIP42			67	°C/W
		CSDIP42	Not Specified			

6.2 RECOMMENDED OPERATING CONDITIONS

Symbol	Parameter	Test Conditions	Value			Unit
			Min.	Typ.	Max.	
T _A	Operating Temperature	1 Suffix Versions	0		70	°C
V _{DD}	Operating Supply Voltage		4.5	5.0	5.5	V
f _{OSC}	Oscillator Frequency RUN & WAIT Modes		0.01	2	8	MHz



6.3 DC ELECTRICAL CHARACTERISTICS

(TA = 0 to +70°C, V_{DD} = 4.5V unless otherwise specified).

Table 21: DC ELECTRICAL CHARACTERISTICS

Symbol	Parameter	Test Conditions	Value			Unit
			Min.	Typ.	Max.	
V _{IL}	Input Low Level Voltage	All I/O Pins			0.3xV _{DD}	V
V _{IH}	Input High Level Voltage	All I/O Pins	0.7xV _{DD}			V
V _{HYS}	Hysteresis Voltage(1)	All I/O Pins V _{DD} = 5V		1.0		V
V _{OL}	Low Level Output Voltage	PB0-PB7, PC0-PC7 DA0/O0-DA8/O8 I _{OL} = 1.6mA I _{OL} = 5mA			0.4 1.0	V
V _{OL}	Low Level Output Voltage	PA0-PA7 I _{OL} = 1.6mA I _{OL} = 10mA			0.4 1.0	V
V _{OL}	Low Level Output Voltage	OSCout I _{OL} = 0.4mA			0.4	V
V _{OL}	Low Level Output Voltage	HDA Output I _{OL} = 0.5mA I _{OL} = 1.6mA			0.4 1.0	V
V _{OH}	High Level Output Voltage	PA0-PA7, PB0-PB7 I _{OH} = - 1.6mA	4.1			V
V _{OH}	High Level Output Voltage	OSCout, I _{OH} = - 0.4mA	4.1			V
V _{OH}	High Level Output Voltage	HDA I _{OH} = - 0.5mA	4.1			V
I _{PU}	Input Pull Up Current Input Mode with Pull-up	PA0-PA7, PB0-PB7, PC0-PC7, NMI, VSYNC V _{IN} = V _{SS}	- 100	- 50	- 25	μA
I _{PU}	Input Pull Up Current Input Mode with Pull-up	RESET V _{IN} = V _{SS}	- 50	- 25	- 10	μA
I _{IL}	Input Pull-down current in RESET Mode	OSCin	100			μA
I _{IL} I _{IH}	Input Leakage Current	OSCin V _{IN} = V _{SS} V _{IN} = V _{DD}	- 10 0.1	- 1 1	- 0.1 10	μA μA
I _{IL} I _{IH}	Input Leakage Current	All I/O Input Mode no Pull-up V _{IN} = V _{SS} V _{IN} = V _{DD}	- 10 - 10		10 10	μA μA
V _{DD} RAM	RAM Retention Voltage in RESET Mode		1.5			V
I _{IL} I _{IH}	Input Leakage Current	Reset Pin with Pull-up V _{IN} = V _{SS}	- 50	- 30	- 5	μA
I _{OH}	Output Leakage Current	PC0-PC7 V _{OH} = V _{DD}				μA
I _{OH}	Output Leakage Current High Voltage	PC4-PC7 V _{OH} = 12V				μA
A _{DI}	ADC Input Current During Conversation	V _{DD} = 4.5V			1.0	μA

Table 21: DC ELECTRICAL CHARACTERISTICS

Symbol	Parameter	Test Conditions	Value			Unit
			Min.	Typ.	Max.	
I _{DD}	Supply Current RUN Mode	f _{OSC} = 8MHz, ILoad= 0mA V _{DD} = 6.0V		6	16	mA
I _{DD}	Supply Current WAIT Mode	f _{OSC} = 8MHz, ILoad= 0mA V _{DD} = 6V		3	10	mA
I _{DD}	Supply Current RESET, Oscillator Stopped	f _{OSC} = Not App, ILoad= 0mA V _{DD} = 6V		0.1	1	mA
V _{ON}	Reset Trigger Level ON	RESET Pin			0.3xV _{DD}	V
V _{OFF}	Reset Trigger Level OFF	RESET Pin	0.8xV _{DD}			V
V _{AN}	ADC Conversion Range		V _{SS}		V _{DD}	V

Note 1. Not 100% Tested

6.4 AC ELECTRICAL CHARACTERISTICS

(TA = 0 to +70°C, f_{OSC}=8MHz, V_{DD}=4.5 to 5.5V unless otherwise specified)

Symbol	Parameter	Test Conditions	Value			Unit
			Min.	Typ.	Max.	
t _{WRES}	Minimum Pulse Width	RESET Pin	125			ns
t _{OHL}	High to Low Transition Time	All Outputs Pins V _{DD} = 5V, CL = 100pF ⁽²⁾		40		ns
t _{OLH}	Low to High Transition Time	All Outputs Pins V _{DD} = 5V, CL = 100pF		40		ns
t _{HD}	SPI Data HOLD Time		250			ns
f _{SPI}	SPI Baud Rate				100	kHz
f _{DAC}	D/A Converter Repetition Frequency ⁽¹⁾				31.25	kHz
t _{WEE}	EEPROM Write Time	T _A = 25°C One Byte		5		ms
C _{YEE}	EEPROM WRITE/ERASE Cycles	Q _A L _{OT} Acceptance Criteria	300,000	> 1 million		cycles
t _{TEE}	EEPROM Data Retention ⁽⁴⁾	T _A = 25°C	10			years
C _{IN}	Input Capacitance ⁽³⁾	All Inputs Pins			10	pF
C _{OUT}	Output Capacitance ⁽³⁾	All Outputs Pins			10	pF
C _{OSC}	Oscillator Pins Internal Capacitance ⁽³⁾			5		pF

Notes:

1. A clock other than 8MHz will affect the frequency response of those peripherals (D/A, and SPIs) whose clock is derived from the system clock.
2. The rise and fall times of PORT A have been increased in order to avoid current spikes while maintaining a high drive capability
3. Not 100% Tested
4. Based on extrapolated data

7 GENERAL INFORMATION

7.1 PACKAGE MECHANICAL DATA

Figure 34. ST6373 and ST63T73 42-Pin Plastic Shrink Dual-In-Line Package

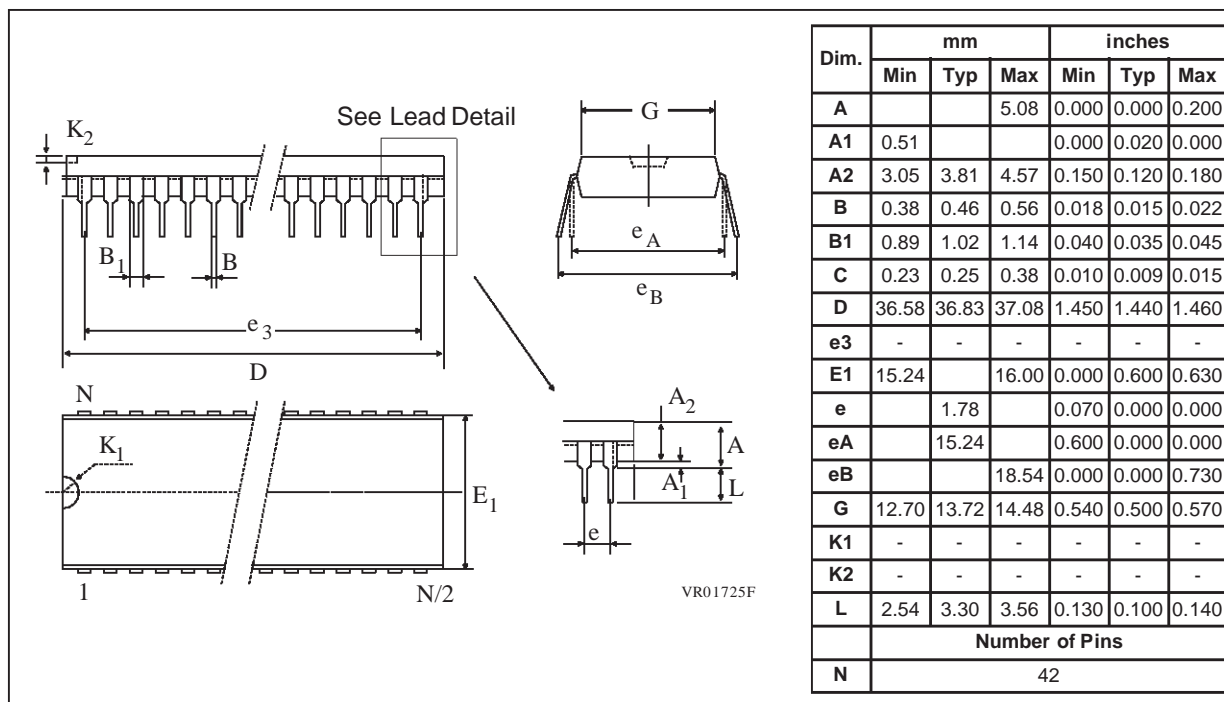
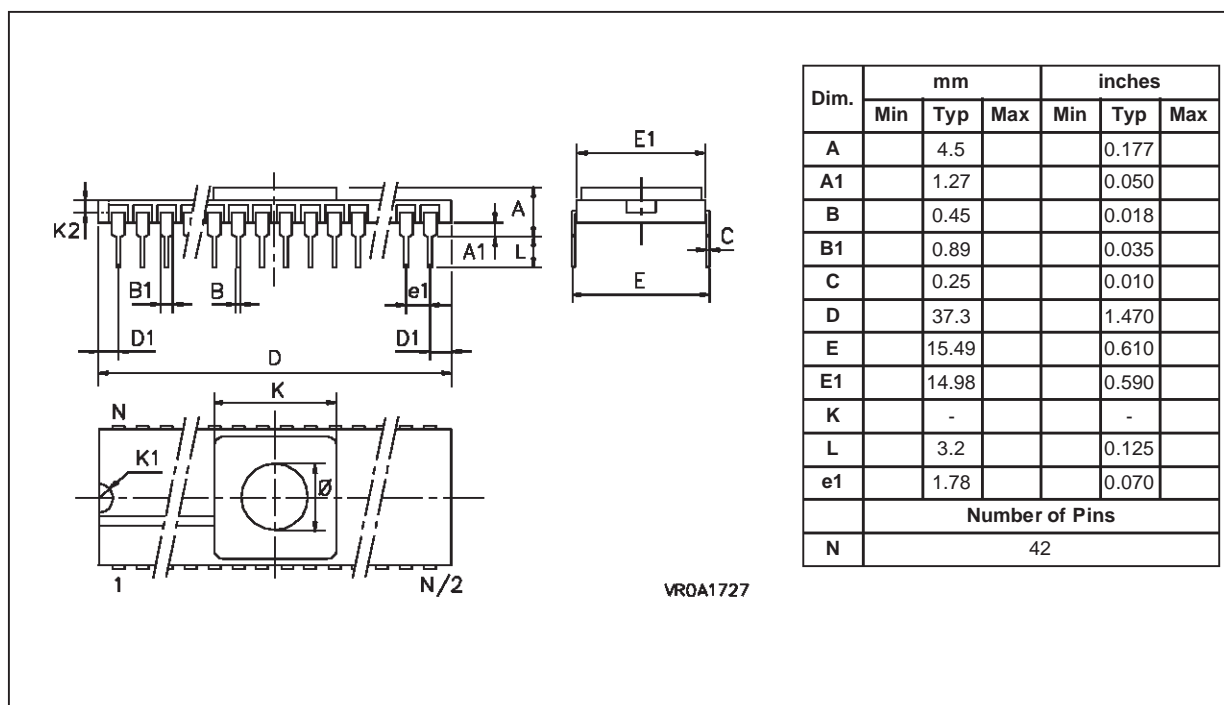


Figure 35. ST63E73 42-Pin Ceramic Shrink Dual-In-Line Package



7.2 ORDERING INFORMATION

The following chapter deals with the procedure for transfer the Program/Data ROM codes to SGS-THOMSON.

Communication of the ROM Codes To communicate the contents of Program/Data ROM memories to SGS-THOMSON, the customer must send:

- one file in INTEL INTELLEC 8/MDS FORMAT (either as an EPROM or as a MS-DOS diskette) for the PROGRAM Memory;
- one file in INTEL INTELLEC 8/MDS FORMAT (either as an EPROM or as a MS-DOS diskette) for the EEPROM initial content (this file is optional).

The program ROM should respect the ROM Memory Map as in Table 22.

The ROM code must be generated with an ST6 assembler. Before programming the EPROM, the EPROM programmer buffer must be filled with FFh.

For shipment to SGS-THOMSON, the master EPROMs should be placed in a conductive IC carrier and packed carefully.

Customer EEPROM Initial Contents Format

- a The content should be written as an INTEL INTELLEC format file.
- b In the case of 512 bytes of EEPROM, the starting address is 000h and the end address is 1FFh. The order of the pages (64 bytes each) is as shown in the specification.
- c Undefined or don't care bytes should have the content FFh.

Listing Generation & Verification When SGS-THOMSON receives the Codes, a computer listing is generated from them. This listing refers exactly to the mask that will be used to produce the microcontroller. The listing is then returned to the customer, and it must be thoroughly check, complete, sign and return it to SGS-THOMSON. The signed list constitutes a part of the contractual agreement for the creation of the customer mask. The SGS-THOMSON sales organization will be pleased to provide detailed information regarding contractual matters.

Table 22. ROM Memory Map

ROM Page	Device Address	Description
PAGE 0	0000h-007Fh 0080h-07FFh	Reserved User ROM
PAGE 1 "STATIC"	0800h-0F9Fh 0FA0h-0FEFh 0FF0h-0FF7h 0FF8h-0FFBh 0FFCh-0FFDh 0FFEh-0FFFh	User ROM Reserved Interrupt Vectors Reserved NMI Vector Reset Vector
PAGE 2	0000h-000Fh 0010h-07FFh	Reserved User ROM
PAGE 3	0000h-000Fh 0010h-07FFh	Reserved User ROM
PAGE 4	0000h-000Fh 0010h-07FFh	Reserved User ROM
PAGE 5	0000h-000Fh 0010h-07FFh	Reserved User ROM
PAGE 6	0000h-000Fh 0010h-07FFh	Reserved User ROM
PAGE 7	0000h-000Fh 0010h-07FFh	Reserved User ROM

ST6373 ROM MICROCONTROLLER OPTION LIST

Customer
 Address
 Contact
 Phone No
 Reference

Device	<input type="checkbox"/> ST6373J2	<input type="checkbox"/> ST6373J3	<input type="checkbox"/> ST6373J5
	8K ROM	12K ROM	16K ROM
	192 RAM	192 RAM	192 RAM
	512 EEPROM	512 EEPROM	512 EEPROM

Special Marking No
 Yes “_____”
(Authorized characters are letters, digits, '.', '-', '/' and spaces only)

Maximum character count is 16 characters
 Default marking is sales type (part number)

MASK OPTION:

I2C Clock Speed 100KHz (default)
 400KHz

All options **MUST** be defined before acceptance

Signature

Date

Table 23. ORDERING INFORMATION TABLE

Sales Type	Program Memory	EEPROM	DDC	DAC		Temp. Range	Package	Emulating Devices
				14 Bit	7 Bit			
ST6373J2B1/XXX	8K ROM	512 Bytes	Yes	1	9	0 to +70 ° C	PSDIP42	ST63E73J5D1, ST63T73J5B1
ST6373J3B1/XXX	12K ROM							
ST6373J5B1/XXX	16K ROM							
ST63T73J5B1	16K OTP					25°C	CSDIP42	-
ST63E73J5D1	16K EPROM							

Note: "XXX" Is the ROM code identifier that is allocated by SGS-THOMSON after receipt of all required options and the related ROM file.

Information furnished is believed to be accurate and reliable. However, SGS-THOMSON Microelectronics assumes no responsibility for the consequences of use of such information nor for any infringement of patents or other rights of third parties which may result from its use. No license is granted by implication or otherwise under any patent or patent rights of SGS-THOMSON Microelectronics. Specifications mentioned in this publication are subject to change without notice. This publication supersedes and replaces all information previously supplied. SGS-THOMSON Microelectronics products are not authorized for use as critical components in life support devices or systems without the express written approval of SGS-THOMSON Microelectronics.

1998 SGS-THOMSON Microelectronics - All rights reserved.

Purchase of I2C Components by SGS-THOMSON Microelectronics conveys a license under the Philips I2C Patent. Rights to use these components in an I2C system is granted provided that the system conforms to the I2C Standard Specification as defined by Philips.

SGS-THOMSON Microelectronics Group of Companies

Australia - Brazil - Canada - France - Germany - Italy - Japan - Korea - Malaysia - Malta - Morocco - The Netherlands - Singapore Spain - Sweden - Switzerland - Taiwan - Thailand - United Kingdom - U.S.A.