

TOSHIBA CMOS DIGITAL INTEGRATED CIRCUIT SILICON MONOLITHIC

# TC7SZU04F, TC7SZU04FU

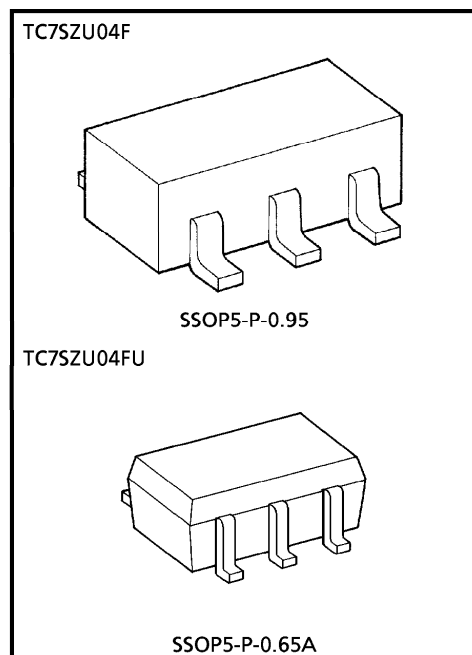
## INVERTER (UNBUFFER)

### FEATURES

- High Output Drive :  $\pm 16$  mA (Typ.)  
@ $V_{CC} = 4.5$  V
- Super High Speed Operation :  $t_{pD}$  2.4 ns (Typ.)  
@ $V_{CC} = 5$  V, 50 pF
- Operation Voltage Range :  $V_{CC(opr)}$  = 1.8~5.5 V
- Supply Voltage Data Retention :  $V_{CC}$  = 1.5~5.5 V

### MAXIMUM RATINGS (Ta = 25°C)

CHARACTERISTIC	SYMBOL	RATING	UNIT
Supply Voltage Range	$V_{CC}$	-0.5~6	V
DC Input Voltage	$V_{IN}$	-0.5~6	V
DC Output Voltage	$V_{OUT}$	-0.5~ $V_{CC} + 0.5$	V
Input Diode Current	$I_{IK}$	$\pm 20$	mA
Output Diode Current	$I_{OK}$	$\pm 20$	mA
DC Output Current	$I_{OUT}$	$\pm 50$	mA
DC $V_{CC}$ /Ground Current	$I_{CC}$	$\pm 50$	mA
Power Dissipation	$P_D$	200	mW
Storage Temperature	$T_{stg}$	-65~150	°C
Lead Temperature (10 s)	$T_L$	260	°C



Weight  
 SSOP5-P-0.95 : 0.016 g (Typ.)  
 SSOP5-P-0.65A : 0.006 g (Typ.)

980910EBA1

- TOSHIBA is continually working to improve the quality and the reliability of its products. Nevertheless, semiconductor devices in general can malfunction or fail due to their inherent electrical sensitivity and vulnerability to physical stress. It is the responsibility of the buyer, when utilizing TOSHIBA products, to observe standards of safety, and to avoid situations in which a malfunction or failure of a TOSHIBA product could cause loss of human life, bodily injury or damage to property. In developing your designs, please ensure that TOSHIBA products are used within specified operating ranges as set forth in the most recent products specifications. Also, please keep in mind the precautions and conditions set forth in the TOSHIBA Semiconductor Reliability Handbook.
- The products described in this document are subject to the foreign exchange and foreign trade laws.
- The information contained herein is presented only as a guide for the applications of our products. No responsibility is assumed by TOSHIBA CORPORATION for any infringements of intellectual property or other rights of the third parties which may result from its use. No license is granted by implication or otherwise under any intellectual property or other rights of TOSHIBA CORPORATION or others.
- The information contained herein is subject to change without notice.

**DC ELECTRICAL CHARACTERISTICS**

CHARACTERISTIC	SYMBOL	TEST CONDITION		V <sub>CC</sub> (V)	Ta = 25°C			Ta = -40~85°C		UNIT	
					MIN.	TYP.	MAX.	MIN.	MAX.		
High-Level Input Voltage	V <sub>IH</sub>			1.8 - 2.7	0.85 × V <sub>CC</sub>	—	—	0.85 × V <sub>CC</sub>	—	V	
				3.0 - 5.5	0.8 × V <sub>CC</sub>	—	—	0.8 × V <sub>CC</sub>	—		
Low-Level Input Voltage	V <sub>IL</sub>			1.8 - 2.7	—	—	0.15 × V <sub>CC</sub>	—	0.15 × V <sub>CC</sub>	V	
				3.0 - 5.5	—	—	0.2 × V <sub>CC</sub>	—	0.2 × V <sub>CC</sub>		
High-Level Output Voltage	V <sub>OH</sub>	V <sub>IN</sub> = V <sub>IL</sub>	I <sub>OH</sub> = -100 μA	1.8	1.6	1.8	—	1.6	—	V	
				2.3	2.1	2.3	—	2.1	—		
				3.0	2.7	3.0	—	2.7	—		
				4.5	4.0	4.4	—	4.0	—		
	V <sub>IN</sub> = GND	I <sub>OH</sub> = -4 mA	2.3	1.9	2.14	—	1.9	—			
			I <sub>OH</sub> = -8 mA	3.0	2.4	2.75	—	2.4	—		
				I <sub>OH</sub> = -12 mA	3.0	2.3	2.61	—	2.3		—
					I <sub>OH</sub> = -16 mA	4.5	3.8	4.13	—		3.8
Low-Level Output Voltage	V <sub>OL</sub>	V <sub>IN</sub> = V <sub>IH</sub>	I <sub>OL</sub> = 100 μA	1.8	—	0	0.2	—	0.2	V	
				2.3	—	0	0.2	—	0.2		
				3.0	—	0	0.3	—	0.3		
				4.5	—	0	0.5	—	0.5		
	V <sub>IN</sub> = V <sub>CC</sub>	I <sub>OL</sub> = 4 mA	2.3	—	0.1	0.3	—	0.3			
			I <sub>OL</sub> = 8 mA	3.0	—	0.17	0.4	—	0.4		
				I <sub>OL</sub> = 12 mA	3.0	—	0.25	0.55	—		0.55
					I <sub>OL</sub> = 16 mA	4.5	—	0.26	0.55		—
Input Leakage Current	I <sub>IN</sub>	V <sub>IN</sub> = 5.5 V or GND		0 - 5.5	—	—	± 1	—	± 10	μA	
Quiescent Supply Current	I <sub>CC</sub>	V <sub>IN</sub> = V <sub>CC</sub> or GND		5.5	—	—	2	—	20	μA	

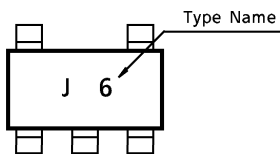
**AC ELECTRICAL CHARACTERISTICS** (Input  $t_r = t_f = 3 \text{ ns}$ )

CHARACTERISTIC	SYMBOL	TEST CONDITION	Ta = 25°C			Ta = -40~85°C		UNIT	
			V <sub>CC</sub> (V)	MIN.	TYP.	MAX.	MIN.		MAX.
Propagation Delay Time	t <sub>PLH</sub> t <sub>PHL</sub>	C <sub>L</sub> = 15 pF, R <sub>L</sub> = 1 MΩ	1.8	1.0	—	8.5	1.0	9.0	ns
			2.5 ± 0.2	0.8	—	6.2	0.8	6.5	
			3.3 ± 0.3	0.5	—	4.5	0.5	4.8	
		5.0 ± 0.5	0.5	—	3.9	0.5	4.1		
		C <sub>L</sub> = 50 pF, R <sub>L</sub> = 500 Ω	3.3 ± 0.3	1.0	—	6.0	1.5	6.5	
			5.0 ± 0.5	0.8	—	5.0	0.8	5.5	
Input Capacitance	C <sub>IN</sub>		0 – 5.5	—	4.5	—	—	pF	
Power Dissipation Capacitance	C <sub>PD</sub>	(Note 1)	3.3	—	6.3	—	—	pF	
			5.5	—	9.5	—	—		

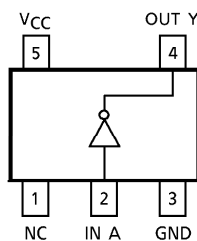
(Note 1) C<sub>PD</sub> is defined as the value of the internal equivalent capacitance which is calculated from the operating current consumption without load.  
Average operating current can be obtained by the equation.

$$I_{CC(opr)} = C_{PD} \cdot V_{CC} \cdot f_{IN} + I_{CC}$$

**MARKING**



**PIN ASSIGNMENT (TOP VIEW)**



**TRUTH TABLE**

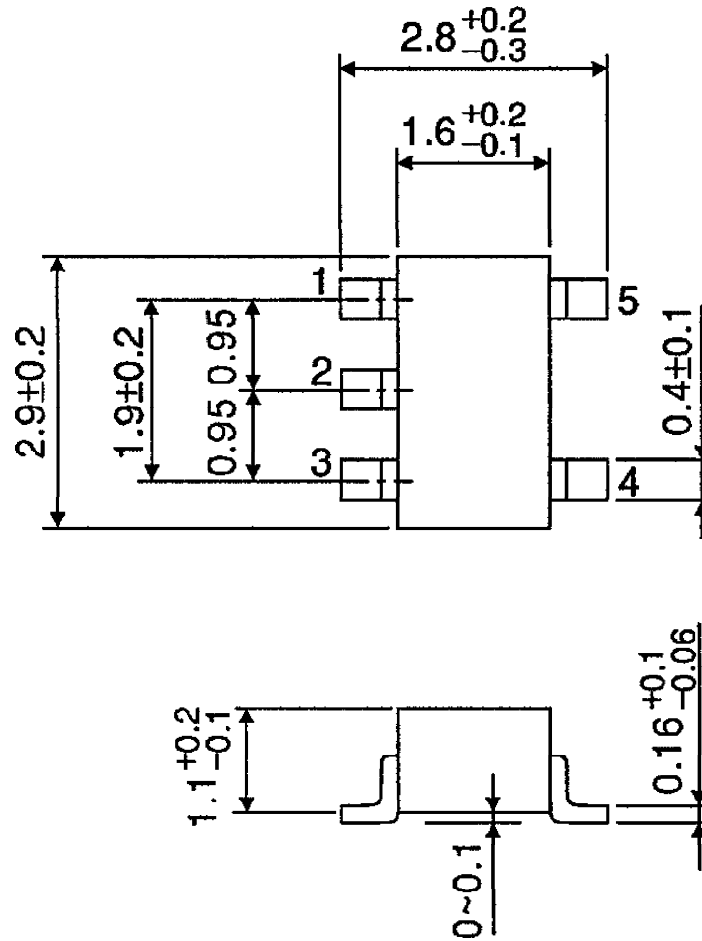
A	Y
L	H
H	L

**LOGIC DIAGRAM**



OUTLINE DRAWING  
SSOP5-P-0.95

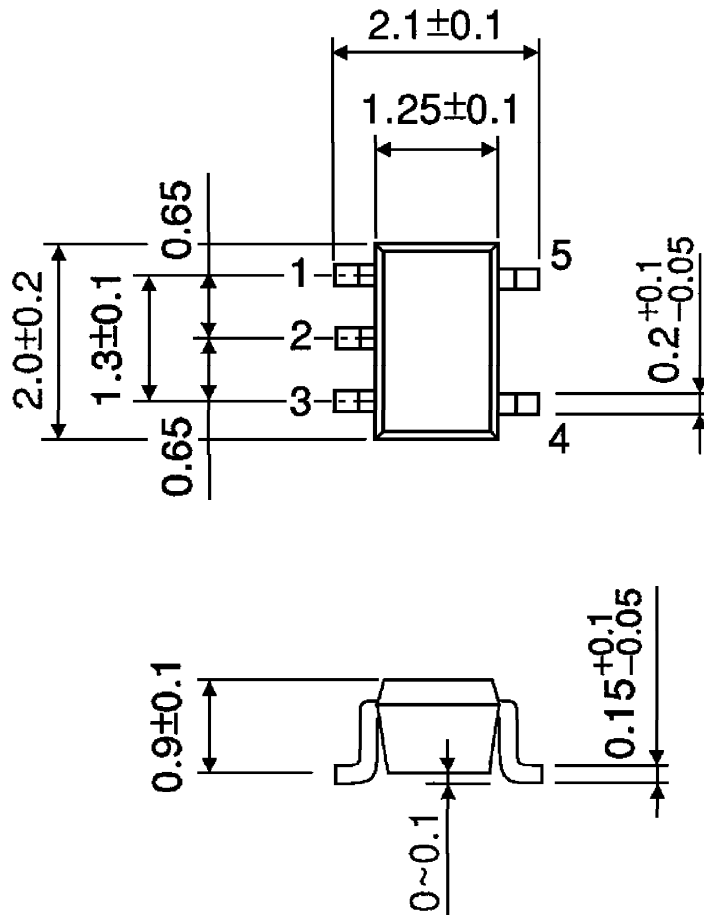
Unit : mm



Weight : 0.016 g (Typ.)

OUTLINE DRAWING  
SSOP5-P-0.65A

Unit : mm



Weight : 0.006 g (Typ.)